



**Original Instruction Manual  
Instructions d'emploi d'origine  
Originalbetriebsanleitung  
Manuale di istruzioni originale  
Originele gebruiksaanwijzing  
Instrucciones de manejo originales  
Instruções de serviço original  
Original brugsanvisning  
Πρωτότυπο εγχειρίδιο οδηγιών**

**Important:**

Read this instruction manual carefully before putting the Power Cutter into operation and strictly observe the safety regulations!  
Keep this instruction manual!

**Important :**

Veillez lire attentivement ce mode d'emploi avant d'utiliser la découpeuse thermique et respectez strictement les consignes de sécurité !  
Conservez ce mode d'emploi !

**Wichtig:**

Lesen Sie vor Verwendung des Trennschleifers diese Bedienungsanleitung aufmerksam durch und halten Sie die Sicherheitsregeln strikt ein!  
Bewahren Sie diese Bedienungsanleitung auf!

**Importante:**

Leggere attentamente il presente manuale di istruzioni prima di mettere in funzione la sega circolare e rispettare scrupolosamente le norme per la sicurezza.  
Conservare il manuale di istruzioni.

**Belangrijk:**

Lees deze gebruiksaanwijzing aandachtig door voordat u de doorslijpmachine in gebruik neemt en houdt u te allen tijde aan de veiligheidsinstructies!  
Bewaar deze gebruiksaanwijzing!

**Importante:**

Lea atentamente este manual de instrucciones antes de utilizar el cortador y cumpla estrictamente la normativa de seguridad.  
Conserve este manual de instrucciones.

**Importante:**

Leia cuidadosamente este manual de instruções antes de utilizar a Cortadora a Gasolina e cumpra todas as normas de segurança!  
Guarde este Manual de instruções!

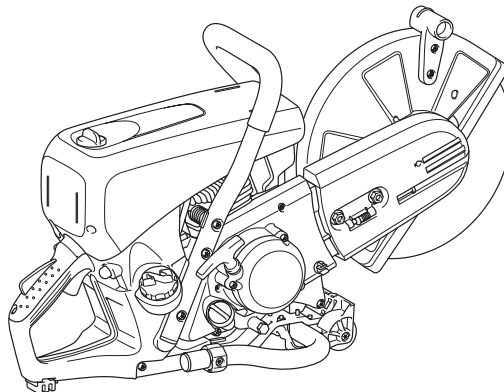
**Vigtigt:**

Læs denne brugsanvisning omhyggeligt igennem inden du anvender den skæremaskinen og overhold sikkerhedsbestemmelserne til mindste detalje!  
Gem denne brugsanvisning!

**Σημαντικό:**

Πριν θέσετε σε λειτουργία τον Βενζινοκίνητο Κόφτη διαβάσετε προσεχτικά το εγχειρίδιο οδηγιών και εφαρμόσετε αυστηρά τους κανονισμούς ασφαλείας.  
Κρατήστε αυτό το εγχειρίδιο χρήσης!

**EK7650H  
EK7651H**



**Thank you for purchasing a MAKITA product!**

Congratulations on choosing a MAKITA Power Cutter! We are confident that you will be satisfied with this modern piece of equipment.

We want you to be satisfied with your MAKITA product. In order to guarantee the optimal function and performance of your Power Cutter and to ensure your personal safety we would request you to perform the following:

**Read this instruction manual carefully before putting the Power Cutter into operation for the first time, and strictly observe the safety regulations! Failure to observe these precautions can lead to severe injury or death!**



**For European countries only**  
**EC Declaration of Conformity**  
**We Makita Corporation as the responsible manufacturer declare that the following Makita machine(s):**

Designation of Machine: Power Cutter  
 Model No./ Type: EK7650H, EK7651H  
 Specifications: see "Technical data" table.

are of series production and  
**Conforms to the following European Directives:**  
 2000/14/EC, 2006/42/EC

And are manufactured in accordance with the following standards or standardised documents:  
 EN ISO 19432

The technical documentation is kept by our authorized representative in Europe who is:  
 Makita International Europe Ltd.,  
 Michigan Drive, Tongwell,  
 Milton Keynes, Bucks MK15 8JD, England  
 The conformity assessment procedure required by Directive 2000/14/EC was in Accordance with annex V.  
 Measured Sound Power Level: 113 dB (A)  
 Guaranteed Sound Power Level: 114 dB (A)

14. 1. 2011

Tomoyasu Kato  
 Director

Makita Corporation  
 3-11-8, Sumiyoshi-cho,  
 Anjo, Aichi, 446-8502, JAPAN

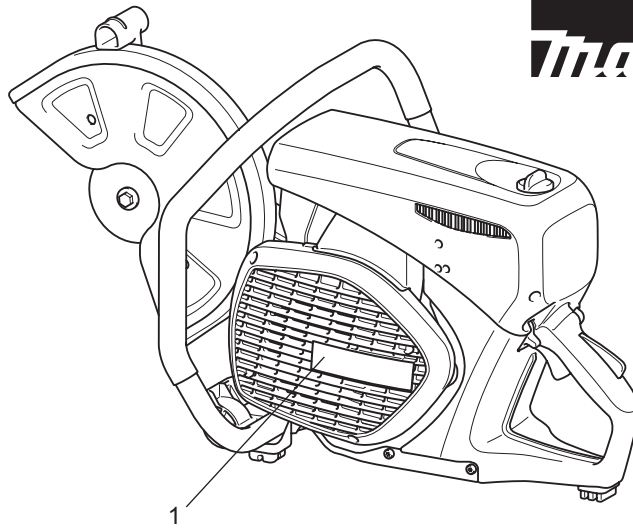
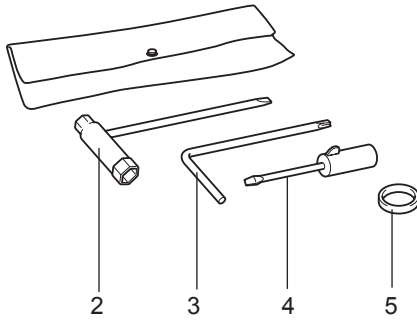
Table of Contents	Page
<b>Packing</b> .....	2
<b>Delivery inventory</b> .....	3
<b>Symbols</b> .....	3
<b>SAFETY PRECAUTIONS</b> .....	4
General precautions.....	4
Protective equipment .....	4
Fuels / Refuelling .....	5
Putting into operation .....	5
Cutoff discs .....	6
Kickback and lock-in .....	7
Working behavior / Method of working .....	7
Cutting metals .....	8
Cutting masonry and concrete .....	8
Transport and storage.....	9
Maintenance.....	10
First aid .....	10
<b>Technical data</b> .....	11
<b>Denomination of components</b> .....	12
<b>PUTTING INTO OPERATION</b> .....	13
Mounting the cutting disc .....	13
Tightening the V-belt / Checking V-belt tension .....	14
Before operating.....	14
<b>Operating</b> .....	16
Starting.....	16
<b>Adjusting the carburetor</b> .....	17
<b>MAINTENANCE</b> .....	17
V-belt .....	18
Cleaning the protection hood .....	18
Cleaning/changing the air filter.....	19
Spark plug maintenance .....	20
Replacing the suction head.....	20
Cleaning the starter.....	21
Changing the cutting attachment position (central/side) .....	22
<b>SPECIAL ACCESSORIES</b> .....	23
Diamond cutting discs .....	23
Guide trolley .....	23
Water tank (the component of trolley) .....	23
Mains/pressure water system .....	23
<b>Maintenance chart</b> .....	24
<b>Fault location</b> .....	25
<b>Troubleshooting</b> .....	26
<b>Storage</b> .....	27

**Packing**

Your MAKITA Power Cutter is packed in a cardboard box to prevent shipping damage. Cardboard is a basic raw material and is consequently reuseable or suitable for recycling (waste paper recycling).



## Delivery inventory



1. Power Cutter
2. 13/19 AF combination wrench
3. Star-shaped wrench
4. Carburetor adjustment screwdriver
5. Adapter ring (Tools for some countries may not require this ring.)
6. Instruction manual (not shown)

In case one of the parts listed should not be included in the delivery inventory, please consult your sales agent.

## Symbols

You will notice the following symbols on the saw and in the Instruction Manual:

	Read instruction manual and follow the warning and safety precautions!		Cutting disc dimensions
	Particular care and caution!		Engine-Manual start
	Forbidden!		Stop engine!
	Wear protective helmet, eye and ear protection, and respiratory protection!		Warning! Kickback!
	Wear protective gloves!		Fuel (Gasoline)
	No smoking!		First Aid
	No open fire!		Recycling
	Direction of cutting wheel rotation		CE - Marking
	<b>⚠</b> WARNING: the max. peripheral speed of the cutting disc is 80 m/s!		

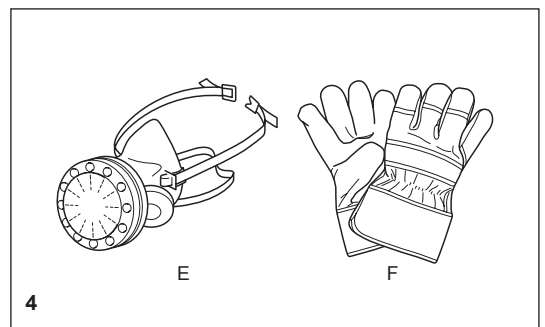
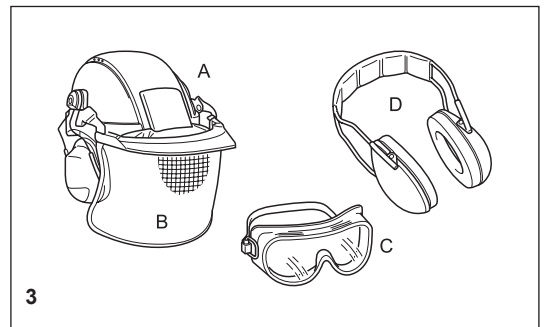
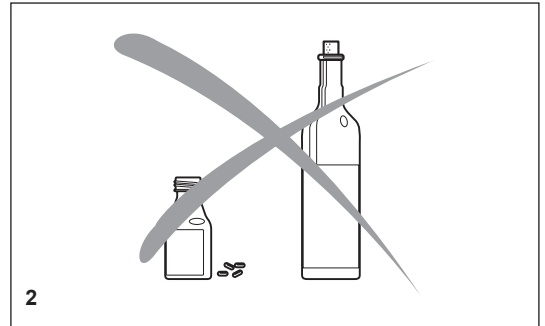
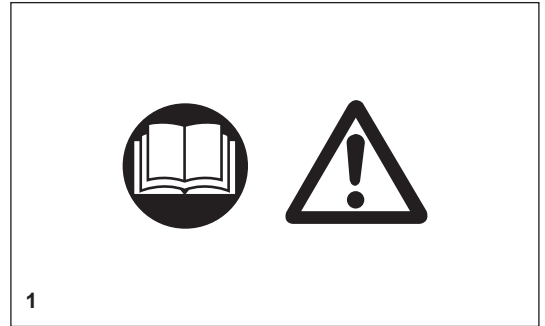
# SAFETY PRECAUTIONS

## General precautions

- The operator **MUST** read this instruction manual to ensure safe operation (even if you already have experience in using cutoff saws). It is important to be familiar with the operation of this particular cutoff saw. Users insufficiently informed will endanger themselves as well as others due to improper handling.
- Let only persons who have experience in using cutoff saws work with this unit. When letting another person use the Power Cutter, this instruction manual must be provided along with it.
- First-time operators should ask a specialist to instruct them in working with gasoline-powered cutoff saws.
- Children and persons under 18 years of age must not be allowed to use this Power Cutter. Persons over the age of 16 years may, however, use the Power Cutter for the purpose of being trained as long as they are under the supervision of a qualified trainer.
- Working with the Power Cutter requires high concentration.
- Operate the Power Cutter only if you are in good physical condition. If you are tired, your attention will be reduced. Be especially careful at the end of a working day. Perform all work calmly and carefully. The user has to accept liability for others.
- Never work while under the influence of alcohol, drugs, medication or other substances which may impair vision, dexterity or judgement.
- A fire extinguisher must be available in the immediate vicinity.
- Asbestos and other materials that can release toxins may be cut only with the necessary safety precautions and after notification of the proper authorities and under their supervision or that of a person appointed by them.

## Protective equipment

- In order to avoid head, eye, hand or foot injuries as well as to protect your hearing the following protective equipment must be used during operation of the Power Cutter:
- The kind of clothing should be appropriate, i. e. it should be tight-fitting but not be a hindrance. Clothing in which grains of material can accumulate (trousers with cuffs, jackets and trousers with wide-open pockets, etc.) must not be worn, particularly when cutting metal.
- Do not wear any jewellery or clothing that can get caught or distract from the operation of the Power Cutter.
- It is necessary to wear a protective helmet whenever working with the Power Cutter. The **protective helmet (A)** is to be checked in regular intervals for damage and is to be replaced after 5 years at the latest. Use only approved protective helmets.
- The helmet **visor (B)** protects the face from dust and material grains. In order to prevent injuries to eyes and face, always wear **protective goggles (C)** or visor when using the Power Cutter.
- To prevent hearing damage, always wear suitable personal **hearing protection (E)** (ear muffs (D), ear plugs, etc.). Octave brand analysis upon request.
- When dry-cutting dust-producing materials such as stone or concrete, always wear approved **respiratory protection (E)**.
- **Work gloves (F)** of tough leather are part of the required work kit of the Power Cutter and must always be worn when working with the Power Cutter.





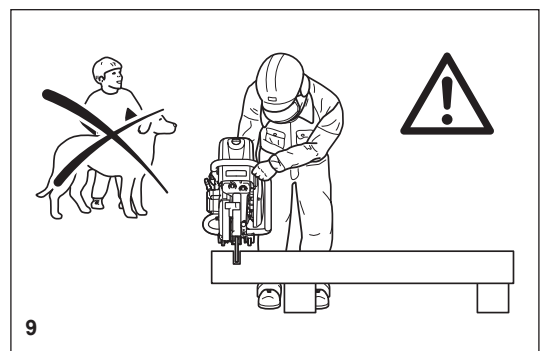
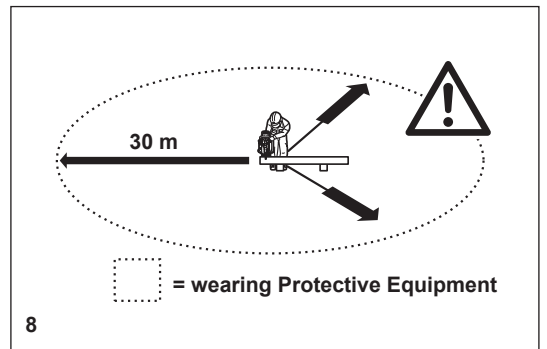
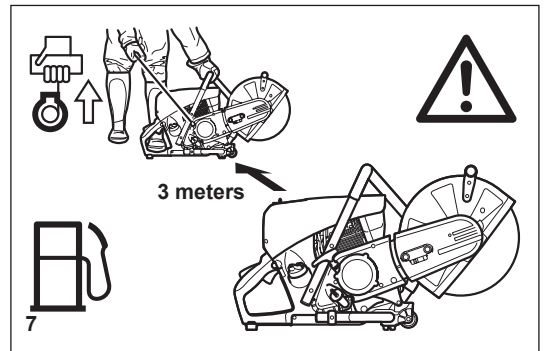
- Always wear **safety shoes or boots** (G) with steel toes, non-skid soles, and leg protectors when working with the Power Cutter. Safety shoes equipped with a protective layer provide protection against cuts and ensure a secure footing.
- Always wear a **work suit** (H) of sturdy material.

### Fuels / Refuelling

- Go to a safe, level place before refuelling. **Never refuel while on scaffolding, on heaps of material, or in similar places!**
- Switch off the engine before refuelling the Power Cutter.
- Do not smoke or work near open fires (6).
- Let the engine cool down before refuelling.
- Fuels can contain substances similar to solvents. Eyes and skin should not come in contact with mineral oil products. Always wear protective gloves when refuelling (not the regular work gloves!). Frequently clean and change protective clothes. Do not breathe in fuel vapors. Inhalation of fuel vapours can be hazardous to your health.
- Do not spill fuel. If a spill occurs, clean off the Power Cutter immediately. Fuel should not come in contact with clothes. If your clothes have come in contact with fuel, change them at once.
- Ensure that no fuel oozes into the soil (environmental protection). Use an appropriate base.
- Refuelling is not allowed in closed rooms. Fuel vapors will accumulate near the floor (explosion hazard).
- Ensure to firmly tighten the screw cap of the fuel tank.
- Before starting the engine, move to a location at least 3 meters (approx. 3 1/4 yards) from where you fuelled the Power Cutter (7), but not within the extended swing range of the cutting disc (direction of sparks).
- Fuel cannot be stored for an unlimited period of time. Buy only as much as will be consumed in the near future.
- Use only approved and marked containers for the transport and storage of fuel.
- **Keep fuel away from children!**

### Putting into operation

- **Do not work on your own. There must be someone around in case of an emergency (within shouting distance).**
- Observe all anti-noise regulations when working in residential areas.
- **Never use the Power Cutter near inflammable materials or explosive gases! The Power Cutter can create sparks leading to fire or explosion!**
- Make sure that all persons within 30 meters (33 yards), such as other workers, are wearing protective gear (see "Protective equipment") (8). Children and other unauthorized persons must remain more than 30 meters away from the working area. Keep an eye out for animals as well (9).
- **Before starting work the Power Cutter must be checked for perfect function and operating safety according to the prescriptions.**  
In particular, make sure that the cutting wheel is in good condition (replace immediately if torn, damaged or bent), the cutting wheel is properly mounted, the protection hood is locked in place, the hand guard is properly mounted, the V-belt has the proper tension, the throttle moves easily and the grips are clean and dry, and the combination switch functions properly.
- Start the Power Cutter only after complete assembly and inspection. Never use the Power Cutter when it is not completely assembled.



## Cutoff discs

- The protection hood must always be on! Change discs only with the engine off!
- There are two basic types of cutoff discs:
  - For metal (hot cutting)
  - For masonry (cold cutting)

### NOTE:

When using diamond cutoff discs, always make sure to observe the “direction of rotation” markings. Diamond discs should only be used for cutting masonry/brick/concrete etc.

- Cutoff discs are intended only for radial loading, i.e. for cutting. Do not grind with the sides of the cutting disc! This will break the disc (10)!

### ⚠ CAUTION:

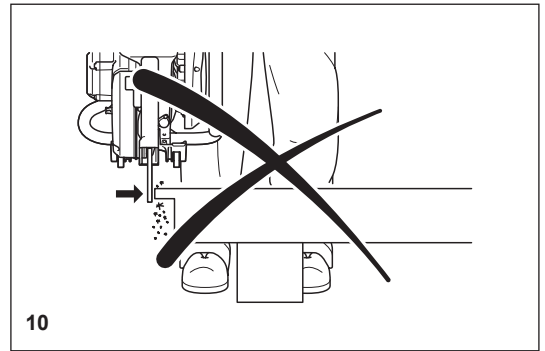
**Never change direction (turning radius less than 5 meters / 5 1/2 yards), exert lateral (sideways) pressure, or tip the Power Cutter during cutting (11)!**

- Use a cutting disc only for cutting the materials it is intended for. The proper type of disc must be used, for either metals or masonry.
- The arbour hole (bore) of the cutting disc must fit the shaft exactly. If the arbour hole is larger than the shaft diameter, a spacer ring must be used (accessories).
- Use only cutting wheels approved by the DSA (German Abrasive Disc Committee) or equivalent organisation for freehand cutting at up to 4,370 RPM (= 80 m/sec. at circumference) for 14"/355 mm discs, or up to 5,100 RPM (= 80 m/sec. at circumference) for 12"/300 mm discs.
- The disc must be free of defects (12). Do not use defective cutting discs.

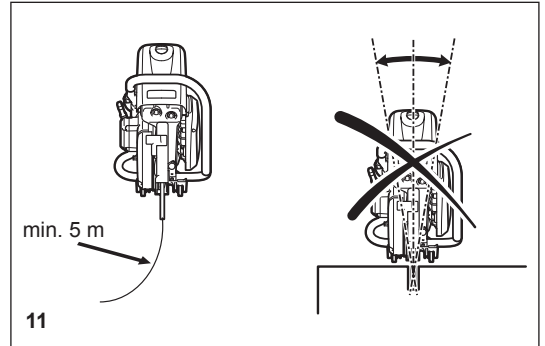
**Always tighten the cutting disc mounting bolt to a torque of 30 Nm.**

**Otherwise, the cutting disc can twist.**

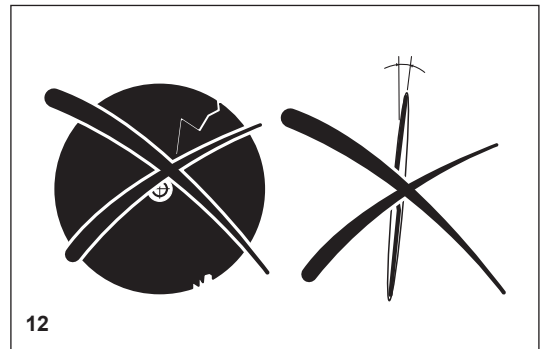
- Before starting the cutting disc, make sure you have a steady footing.
- Put the Power Cutter into operation only as described in this instruction manual (13). Always place your left foot in the rear handle and grasp the other handle firmly (with thumb and fingers). Other starting methods are not allowed.
- When starting the Power Cutter it must be well supported and securely held. The cutting disc must not be touching anything.
- If the cutting disc is new, test it by running it at least 60 seconds at top speed. When doing this, make sure that no persons or body parts are in the extended swing range of the disc, in case it is defective and flies apart.
- **When working with the Power Cutter always hold it with both hands.** Take the back handle with the right hand and the tubular handle with the left hand. Hold the handles tightly with your thumbs facing your fingers.
- **CAUTION: When you release the throttle lever the disc will keep spinning for a short period of time** (free-wheeling effect).
- Continuously ensure that you have a safe footing.
- Hold the Power Cutter such that you will not breathe in the exhaust gas. Do not work in closed rooms or in deep holes or ditches (danger of poisoning by fumes).
- **Switch off the Power Cutter immediately if you observe any changes in its operating behavior.**
- **Switch off the engine before inspecting the V-belt tension or tightening it, replacing the cutting wheel, repositioning the cutter attachment** (side or middle position) **or eliminating faults** (14).
- Turn off the engine immediately and check the disc if you hear or feel any change in cutting behaviour.
- Turn off the Power Cutter when taking a break or stopping work (14). Place the unit in such a way that the disc is not touching anything and cannot endanger anyone.
- Do not put the overheated Power Cutter in dry grass or on any inflammable objects. The muffler is very hot (danger of fire).
- **IMPORTANT:** After wet cutting, first turn off the water feed and then let the disc run at least 30 seconds, to fling off the remaining water and prevent corrosion.



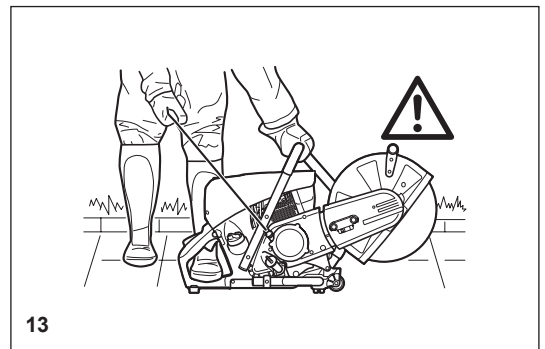
10



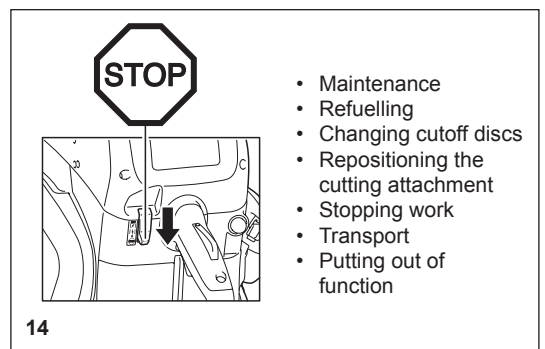
11



12



13



14

## Kickback and lock-in

- When working with the Power Cutter there is a danger of kickback and lock-in.
- Kickback occurs when the top of the cutting disc is used for cutting (15).
- This causes the Power Cutter to be thrown back toward the user with great force and out of control. **Risk of injury!**

**To prevent kickback, observe the following:**

- Never cut with the section of the cutting disc shown in figure 15.  
**Be especially careful when reinserting the disc into cuts that have already been started!**

- Lock-in occurs when the cut narrows (crack, or workpiece under stress).
- This causes the Power Cutter to suddenly jump forward, out of control and with great force. **Risk of injury!**

**To prevent lock-in, observe the following:**

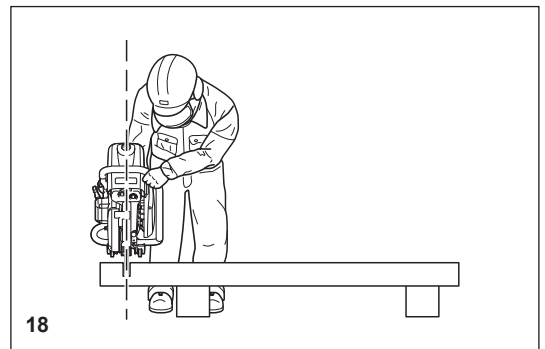
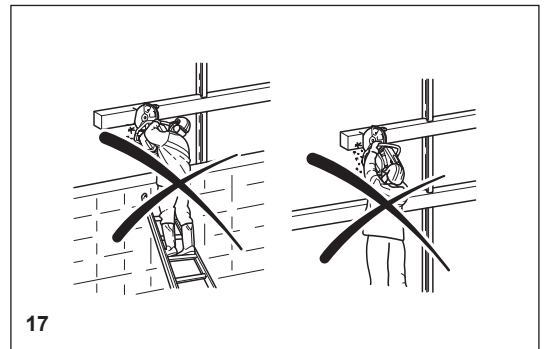
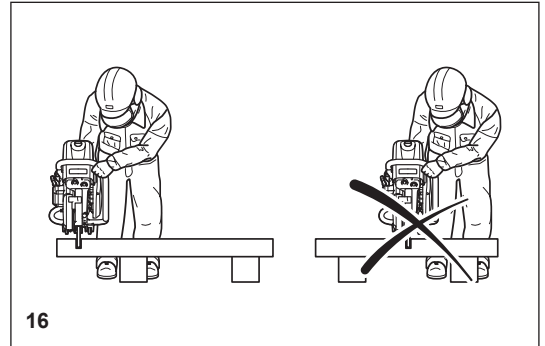
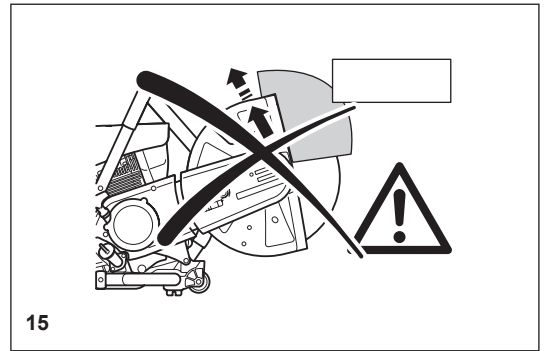
- When reinserting the disc into previous cuts, have the Power Cutter running at top speed. Always cut at top speed.
- Always support the workpiece so that the cut is under tension (16), so that the cut does not press together and jam the cutting disc as it proceeds through the material.
- When starting a cut, apply the disc to the workpiece with care. Do not just shove it into the material.
- Never cut more than one piece at a time! When cutting, make sure that no other workpiece comes into contact.

## Working behavior / Method of working

- Before starting work, check the work area for any hazards (electrical wires, inflammable substances). Clearly mark the work area (for example with warning signs or by cordoning off the area).
- When working with the Power Cutter hold it firmly by the front and rear handles. Never leave the Power Cutter unattended!
- Whenever possible run the Power Cutter at the rated arbour speed (see "Technical data").
- Only use the Power Cutter during good light and visibility periods. Be aware of slippery or wet areas, and of ice and snow (risk of slipping).
- Never work on unstable surfaces. Make sure that there are no obstacles in the working area, risk of stumbling. Always ensure that you have a safe footing.
- Never cut above your shoulder height (17).
- Never stand on a ladder to cut (17).
- Never use the Power Cutter while standing on scaffolding.
- Do not lean over too far when working. When putting down and picking up the Power Cutter, do not bend over from the waist, but instead bend in the knees. Save your back!
- Guide the Power Cutter in such a way that no part of your body is within the extended swing range of the disc (18).
- Use cutting discs only for the materials for which they are designed!
- Do not use the Power Cutter to lift up and shovel away pieces of material and other objects.

**Important!** Before cutting, remove all foreign objects, such as rocks, gravel, nails etc. from the cutting area. Otherwise, such objects can be flung away by the disc with great speed. **Injury hazard!**

- When cutting workpieces down to length use a firm support. If necessary, secure the workpiece from slipping, but do not steady it with your foot or allow another person to hold it.
- When cutting round items, always secure them against rotation.
- When guiding the Power Cutter by hand, use the side mounting position of the cutter attachment only when actually necessary. Otherwise, always use the central position. This gives the unit a better balance, for reduced operator fatigue.



## Cutting metals

### ⚠ IMPORTANT!

Always wear approved respiratory protection!

Materials that can release toxic substances may be cut only after notifying the proper authorities and under their supervision or that of a person appointed by them.

### ⚠ CAUTION:

The rapid rotation of the cutting disc heats metal and melts it at the point of contact. Swing the guard as far down as possible behind the cut (19) in order to direct the stream of sparks forward, away from the operator (fire hazard).

- Determine the direction of cutting, mark the cut and apply the disc to the material at moderate speed, to cut a guide groove before going to top speed and applying more pressure to the Power Cutter.
- Keep the disc straight and vertical. Do not tip it, as this can break it.
- The best way to get a good, clean cut is to pull or move the Power Cutter back and forth. Do not simply press the disc into the material.
- Thick round stock is best cut in stages (20).
- Thin tubing and pipes can be cut with a simple downward cut.
- Cut large-diameter pipes as for round stock. To prevent tipping and for better control, do not let the disc sink too deeply into the material. Instead, always cut shallow around the whole piece.
- Worn discs have a smaller diameter than new discs, so that at the same engine speed they have a lower effective circumferential speed and therefore do not cut as well.
- Cut I-beams and L-bars in steps; see Figure 21.
- Cut bands and plates like pipes: along the wide side with a long cut.
- When cutting material under stress (supported material or material in structures), always make a notch in the thrust (pressure) side, and then cut from the tension side, so that the disc does not lock in. **Secure cutoff material from falling!**

### ⚠ CAUTION:

If there is a chance that the material is under stress, be prepared for it to kick back. Make sure you can get out of the way if you have to!

Be particularly careful in scrap-metal yards, junkyards, at accident sites, and with haphazard piles of material. Precariously balanced pieces or pieces under stress can act in unpredictable ways, and may slide, jump out, or burst. **Secure cutoff material from falling!** Always exercise extreme caution and use only equipment that is in perfect working order.

Observe the accident-prevention rules and regulations of your employer and/or insurance organization.

## Cutting masonry and concrete

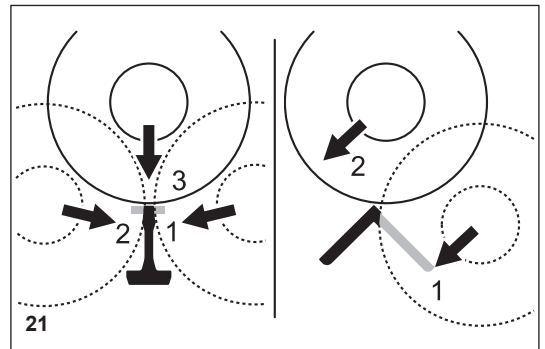
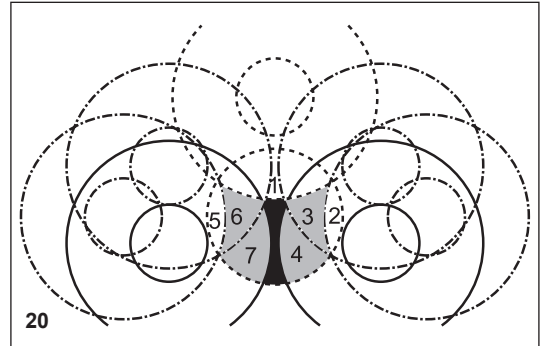
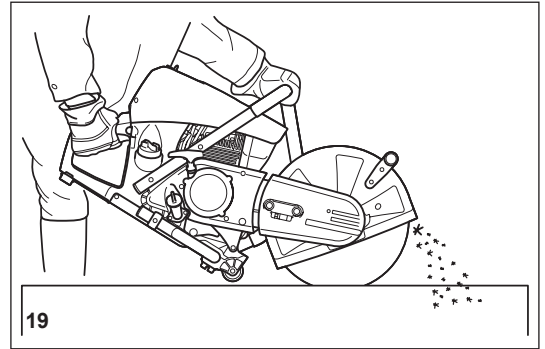
### IMPORTANT!

Always wear approved respiratory protection!

Asbestos and other materials that can release toxic substances may be cut only after notifying the proper authorities and under their supervision or that of a person appointed by them. When cutting prestressed and reinforced concrete piles, follow the instructions and standards of the responsible authorities or the builder of the structural member. Reinforcement rods must be cut in the prescribed sequence and in accordance with applicable safety regulations.

### NOTE:

Mortar, stone, and concrete develop large quantities of dust during cutting. To increase the lifetime of the cutting disc (by cooling), to improve visibility, and to avoid excessive dust creation, we strongly recommend wet cutting instead of dry cutting.



In wet cutting, the disc is wetted at an equal rate on both sides by a trickle of water. MAKITA offers the right accessories for all wet cutting applications (see also "SPECIAL ACCESSORIES").

- Remove foreign objects such as sand, stones and nails found within the working area. **CAUTION: Watch out for electric wires and cables!**

**The rapid rotation of the cutting disc at the point of contact throws fragments out of the cut groove at high speed. For your safety, swing the protection hood down as far as possible behind the cut (23), so that material fragments are thrown forward, away from the operator.**

- Mark the cut, and then make a groove about 5 mm (just under 1/5") along the entire length of the planned cut. This groove will then guide the Power Cutter accurately during the actual cutoff.

**NOTE:**

For long, straight cuts we recommend using a trolley (24, see also "SPECIAL ACCESSORIES"). This makes it much easier to guide the unit straight.

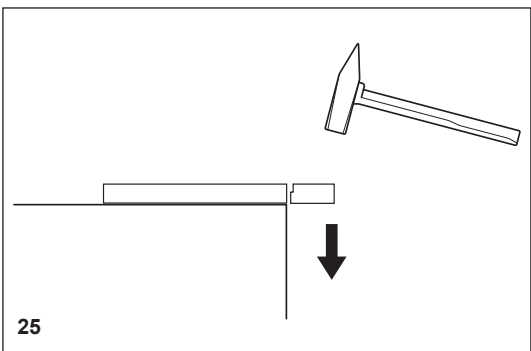
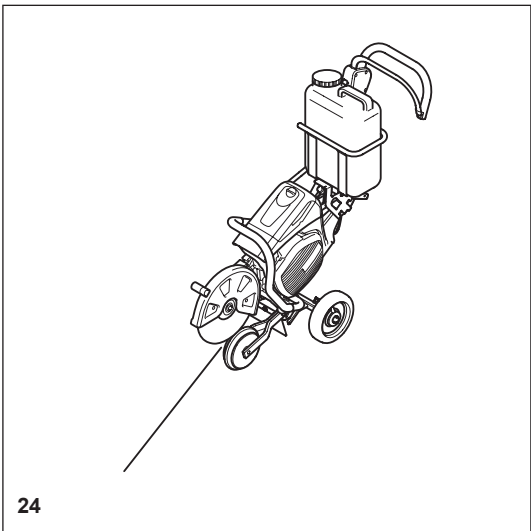
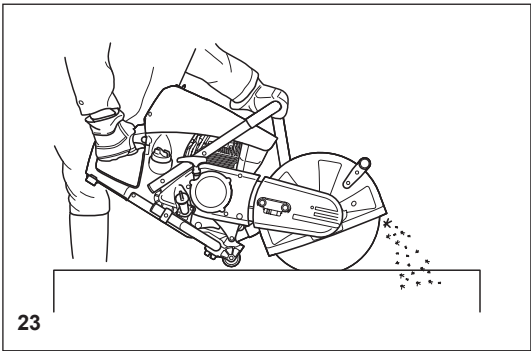
- Perform the cut with a steady back-and-forth motion.
- When cutting slabs to size, you need not cut through the entire material thickness (creating unnecessary dust). Instead, simply make a shallow groove, and then knock off the excess material cleanly on a flat surface (25).

**CAREFUL!**

When cutting into lengths, cutting through material, making cutouts, etc., always make sure to plan the direction and sequence of cuts in such a way that the disc does not get jammed by the cut-off piece, and that no persons can be injured by falling pieces.

**Transport and storage**

- **Always turn off the Power Cutter when transporting it or moving it from place to place on a site (26).**
- **Never carry or move the unit with the engine on or the disc moving!**
- Carry the unit only by the tubular (middle) handle with the cutting disc pointing behind you (26). Avoid touching the exhaust muffler (burn hazard!)
- When moving the Power Cutter over longer distances, use a wheelbarrow or wagon.
- When transporting the Power Cutter in a vehicle, make sure it is securely positioned in such a way that no fuel can leak out. Always remove the cutting disc before transporting the unit in a vehicle.
- The Power Cutter should be stored safely in a dry place. It must not be left outdoors! Always dismantle the cutting disc before storage. Keep the Power Cutter away from children.
- **Before long-term storage and before shipping the Power Cutter, follow the instructions in the chapter on "Storage". ALWAYS empty the fuel tank and run the carburetor dry.**
- When putting cutting discs in storage, be careful to:
  - Clean and dry them well.
  - Store them lying down flat.
  - Avoid dampness, freezing temperatures, direct sunshine, high temperatures and temperature fluctuations, as these can cause breakage and splintering.
- **Always check new cutting discs or cutting discs that have been in storage to make sure that they are free of defects.**



## Maintenance

- **Before performing maintenance work switch off the Power Cutter (27) and pull out the plug cap.**
- Always check the Power Cutter before using it to make sure that it is in good working order. In particular, make sure that the cutting disc is properly mounted. Make sure that the cutting wheel is undamaged and suitable for the job it will be used for.
- Operate the Power Cutter only at a low noise and emission level. For this ensure the carburetor is adjusted correctly.
- Clean the Power Cutter regularly.
- Check the fuel tank cap regularly for good sealing.

**Observe the accident prevention instructions issued by trade associations and insurance companies. NEVER make any modifications to the Power Cutter! You will only be putting your own safety at risk!**

Perform only the maintenance and repair works described in the instruction manual. All other work must be carried out by MAKITA Service (28).

Use only original MAKITA spares and accessories.

The use of non-MAKITA spares, accessories, or cutting discs increases the risk of accident. We cannot accept any responsibility for accidents or damage occurring in association with the use of cutting discs or accessories other than original MAKITA.



27



SERVICE

28

## First aid (29)

Make sure that a first aid kit is always immediately available close by. Immediately replace any items used from the first aid box.

**When calling for help, give the following information:**

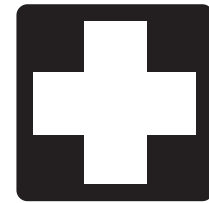
- Place of the accident
- What happened
- Number of injured people
- Kind of injuries
- Your name!

### NOTE:

Individuals with poor circulation who are exposed to excessive vibration may experience injury to blood vessels or the nervous system.

Vibration may cause the following symptoms to occur in the fingers, hands or wrists: "Falling asleep" (numbness), tingling, pain, stabbing sensation, alteration of skin colour or of the skin.

**If any of these symptoms occur, see a physician!**



29



## Technical data

Item		Model	EK7650H		EK7651H	
Engine	Displacement	cm <sup>3</sup>	75.6			
	Bore	mm	51			
	Stroke	mm	37			
	Max. power	kW	3.0			
	Max. torque	Nm	4.6			
	Idling speed	min <sup>-1</sup>	2,600			
	Clutch		Auto centrifugal system			
	Engine speed limitation	min <sup>-1</sup>	9,100			
	Max. spindle speed	min <sup>-1</sup>	4,300			
	Carburetor		Diaphragm type			
	Ignition system (with speed limitation)		Non-contact, magnet type			
	Spark plug	Type	NGK CMR6H			
	Electrode gap	mm	0.5			
	Starting system		Recoil system			
	Fuel consumption at max. load per ISO 8893	kg/h	1.2			
	Specific consumption at max. load per ISO 8893	g/kWh	400			
	Fuel		Automobile gasoline (petrol)			
	Fuel tank capacity	l	1.1			
	Lubricant (engine oil)		API grade SF class or higher SAE 10W-30 oil (automobile 4-stroke engine oil)			
	Lubricant quantity	l	0.22			
Cutting disc for 80 m/sec. or higher <sup>1)</sup> (DSA approved): dimensions	mm	300 / 20 / 5 <sup>2)</sup>	300 / 25.4 / 5 <sup>2)</sup>	350 / 20 / 5 <sup>2)</sup>	350 / 25.4 / 5 <sup>2)</sup>	
Sound pressure level (L <sub>pA</sub> ) per EN ISO 19432 <sup>3)</sup>	dB (A)	92.7				
Uncertainty (K)	dB (A)	2.5				
Sound power level (L <sub>WA</sub> ) per EN ISO 19432	dB (A)	104.6				
Uncertainty (K)	dB (A)	2.5				
Vibration acceleration a <sub>n, w</sub> per EN ISO 19432						
- Front handle (idle/rated spindle speed)	m/s <sup>2</sup>	2.7				
Uncertainty (K)	m/s <sup>2</sup>	2.0				
- Rear handle (idle/rated spindle speed)	m/s <sup>2</sup>	1.8				
Uncertainty (K)	m/s <sup>2</sup>	2.0				
Arbor diameter	mm	20.0	25.4	20.0	25.4	
Spindle diameter	mm	17		17 or 25.4 <sup>4)</sup>		
Minimum flange outside diameter	mm	102				
Max. cutting depth	mm	97		122		
Power Cutter Dimensions (overall length x overall width x overall height)		761 mm x 310 mm x 435 mm		780 mm x 310 mm x 455 mm		
V-belt no.	no.	225094-6				
Overall weight (tanks empty, without cutting disc)	kg	12.7		12.9		

1) Circumference speed at max. engine speed

2) Outside diameter / arbor hole / thickness

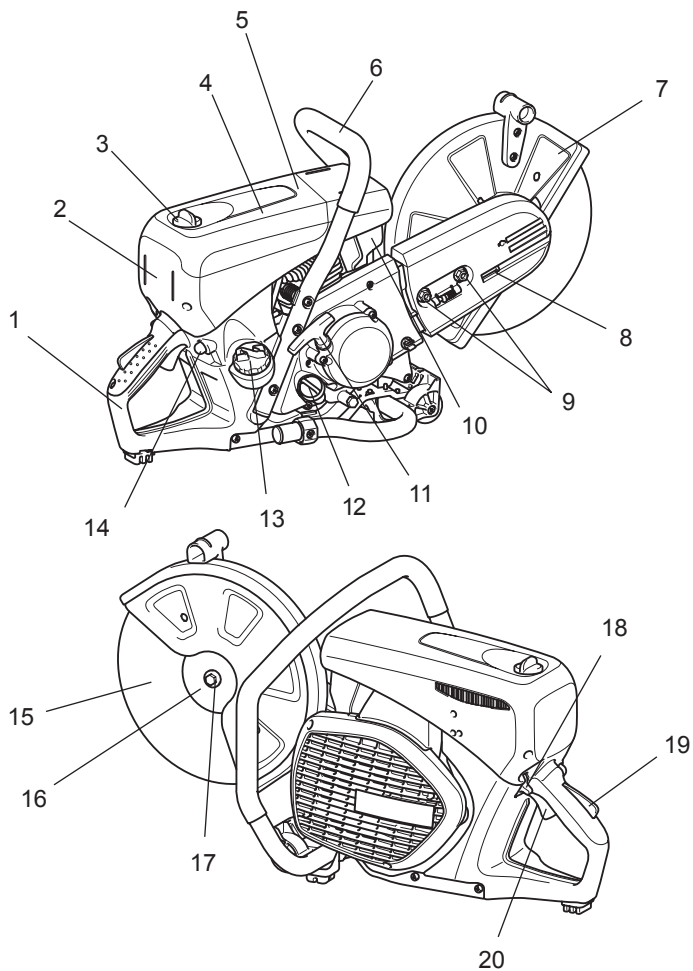
3) At the workplace (at user's ear)

4) Country specific



## Denomination of components

1. Rear handle
2. Filter cover
3. Lock screw
4. Top cover for air filter and spark plug cap
5. Top cover
6. Front handle
7. Protection hood
8. Tensioning screw
9. Hex. nut
10. Muffler
11. Starter grip
12. Oil tank cap
13. Fuel tank cap
14. Fuel pump (Primmer)
15. Cutting disc
16. Outer flange
17. Hex bolt
18. Switch
19. Safety locking button
20. Throttle lever





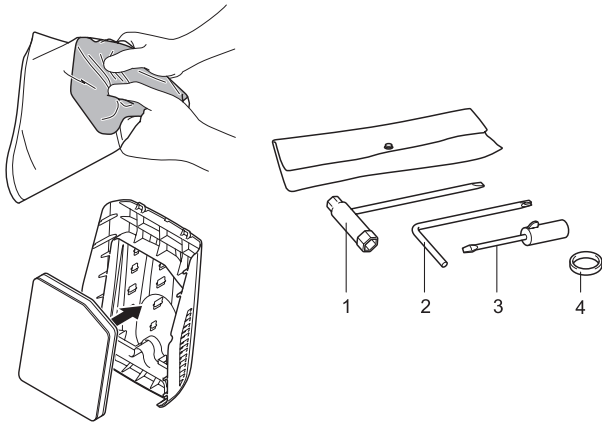
## PUTTING INTO OPERATION

### ⚠ CAUTION:

Always turn off the engine and pull off the spark plug cap before doing any work on the Power Cutter! Always wear protective gloves!

### ⚠ CAUTION:

Start the Power Cutter only after complete assembly and inspection.



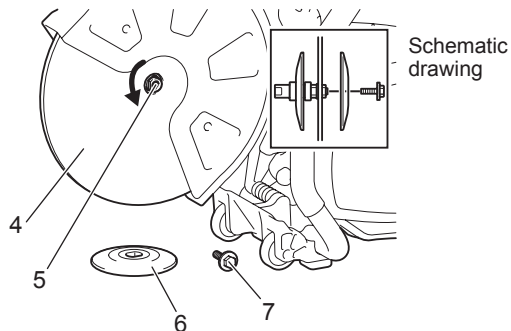
For the following work, use the assembly tools included with delivery:

1. 13/16 AF combination wrench
2. Star-shaped wrench
3. Carburetor adjustment screwdriver
4. Adapter ring

Place the Power Cutter on a stable surface and carry out the following assembly steps:

### ⚠ No air filter is installed!

Before operation, squeeze the supplied filter several times so that oil is evenly immersed in the entire filter. Insert an oiled foam filter (pre-filter), as shown in the adjacent illustration! To do this, take off the filter cover (see the chapter on Cleaning/ changing the air filter).



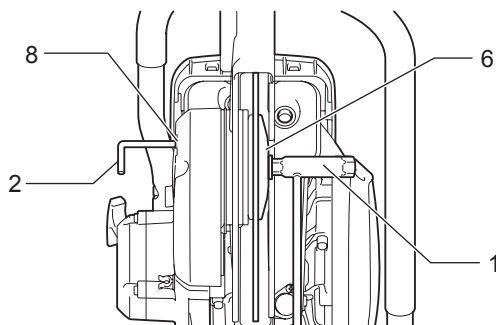
## Mounting the cutting disc

### ⚠ WARNING:

- When installing a diamond cutting disc, be sure to mount it so that the arrow is in the same direction as the outer flange (6) rotates. Mounting the diamond cutting disc (4) with its arrow direction opposite to that on the wheel cover may cause chipping of the disc edge and personal injury.
- When installing a cutting disc (4), always use the ring that matches the bore of the cutting disc and the diameter of the spindle (5). Failure to use rings that mate may cause tool vibration resulting in serious personal injury.
- Only use cutting discs with the bore that matches the diameter of the ring(s) provided. Using discs that do not mate may cause tool vibration resulting in serious personal injury.
- Inspect a cutting disc for damage. (see the section titled "Cutoff discs" in SAFETY PRECAUTIONS.)

1. Insert the star-shaped wrench (2) into the hole (8) to prevent the spindle (5) from rotating.

**NOTE:** When the holder of the pressure water system is installed in the hole in the tool, remove it before mounting the cutting disc.



2. While holding on the wrench (2) in that position, use the combination wrench (1) provided and turn the bolt (7) securing the disc counterclockwise and remove the bolt (7) and outer flange (6).
3. Mount a diamond cutting disc/cut-off abrasive disc (4) on the arbor (5). And then put the outer flange (6) on the spindle so that the two parallel flat surface on the outer flange fit the spindle flat surface and firmly tighten the bolt clockwise.

To install a cutting disc, mount a ring with the same matching diameter as the disc bore and the O ring provided to retain the ring on the spindle before installing a diamond cutting disc. And then install the cutting disc.

**NOTE:** Tighten the hex bolt firmly (25 - 31 Nm), as otherwise the cutting wheel may slip during cutting.

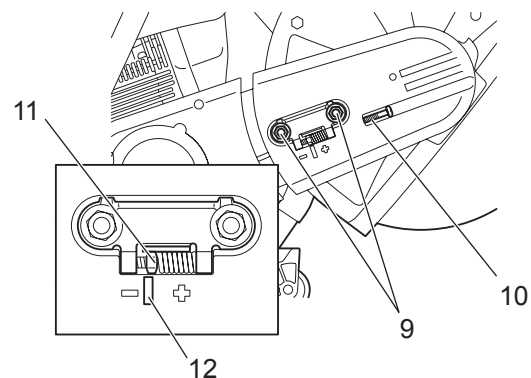
## Tightening the V-belt / Checking V-belt tension

### IMPORTANT:

Exact V-belt tension is essential for maximum cutting performance with minimum fuel consumption. Improper V-belt tension will result in premature wear to the V-belt and V-belt wheel or damage to the clutch bearing.



**NOTE:** The two hex. nut (9) must be loosened before tightening the V-belt or checking the tension. To increase the belt tension, turn the tension screw (10) to the right (clockwise) with the combination wrench included with the Power Cutter. The belt tension is correctly adjusted when the nut (11) is located as shown in the figure compared to the position of the mark (12).



### IMPORTANT:

- After tightening/inspection, make certain to tighten the hex. nut (9) (25 - 31 Nm).
- Do not adjust the belt tension while the machine is hot. There is a risk of burn injury.

## Before operating

### 1. Checking/replenishing engine oil

- With the engine in a cool state, check/replenish engine oil in the following way.
  - Position engine on a flat level, and check to see whether oil is within the range of MAX and MIN of the oil tank.
  - If oil is insufficient (near the MIN mark of the oil tank), fill the oil tank with oil to the MAX mark.
  - Oil quantity can be checked externally without removing the oil cap as the oil level can be seen at the external, see-through, measuring mark window.
  - For reference, oil needs to be replenished every ten operating hours (one tank of oil for ten fuel refuels).
  - Replace extremely dirty or discolored oil.
- <Recommended oil> .....Use API grade SF class or higher SAE 10W-30 oil (automobile 4-stroke engine oil).
- <Oil quantity> .....0.22 L (220 mL)

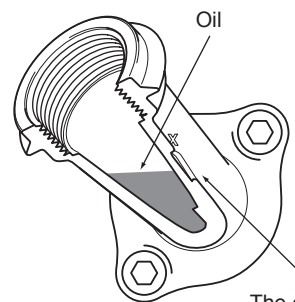
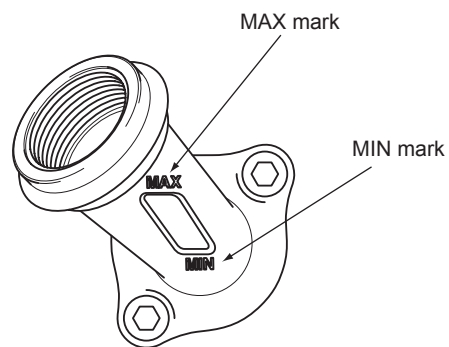
### NOTE:

- If the engine is not stored in the upright position, oil will circulate through the engine, which will mean that there will be excessive oil in the Power Cutter when replenishing.
- If oil exceeds the MAX mark, it may leak out causing dirtying or white smoke.

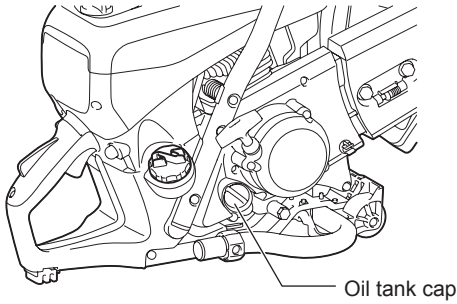
### Oil replacement Point 1 <Oil cap>

Interval of replacement: Initially, after 20 operating hours, and subsequently every 30 operating hours.

- Clean away the dirt from around oil filling neck and then remove oil cap.
- Place the oil cap on a surface where it will not pick up grit and dirt. If the cap is put back on in a dirty state, oil circulation may deteriorate and engine parts become worn, which may cause mechanical failure.



The oil is visible from here, so the MAX and MIN marks can be used to check the quantity of oil.



- (1) Place engine on the level and remove oil cap.
- (2) Replenish oil to the base of the oil filling neck.  
When replenishing oil, use a proper lubricant container for refilling.
- (3) Firmly tighten oil cap. If oil cap is loose, oil may leak out.

**Oil replacement Point 2 <What to do if oil is spilled>**

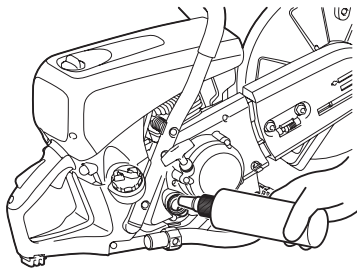
If oil is spilt between fuel tank and engine, and the Power Cutter operated, oil will be sucked in via the cold air intake, which may cause dirtying. Always wipe off spilt oil before using the power cutter.

**2. Refueling**

**⚠ WARNING:**

- **Always observe the following items when refueling. Failure to do so may cause flames or fire.**

- Refuel away from flames. In addition, never smoke or bring any form of flame near to fuel or power cutter during refueling.
- Stop the engine and let it cool down before refueling.
- Always open fuel tank cap slowly to release internal pressure in a controlled manner. Failure to do so may cause fuel to spray out because of internal pressure.
- Be careful not to spill fuel. If fuel is spilt, fully wipe away fuel.
- Refuel in a well-ventilated location.
- **Always handle fuel with full care.**
  - If fuel comes into contact with skin and/or eyes, it may cause an allergic reaction and/or inflammation. In cases of such allergic reactions and/or inflammation, etc., seek medical advice from a specialist doctor immediately.



**<Fuel storage period>**

As a rule, fuel held in a proper fuel container, in a shaded location, with good ventilation, should be used up within four weeks. If a proper fuel container is not used and/or the cap is left off, etc., and the season is summer, fuel may deteriorate in one day.

**Storing the Power Cutter and fuel container**

- Store Power Cutter and fuel container away from direct sunlight in a cool location.
- Do not leave fuelled up Power Cutter or fuel container in automobile or automobile trunk (boot).

**<Fuel>**

The engine is a four-stroke engine, so use automobile gasoline (regular gasoline/petrol) to run the engine.

**Fuel points**

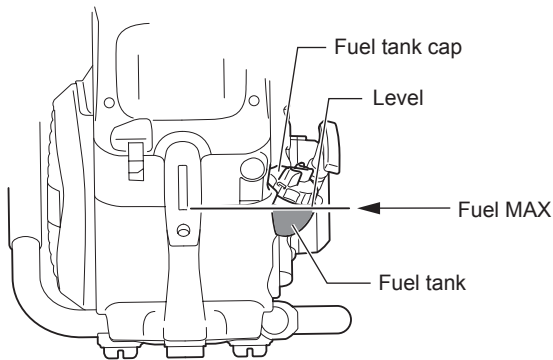
- Do not use a gasoline mixture (engine oil mixed with gasoline). Doing so may cause carbon build up and mechanical failure.
- The use of old fuel may cause poor engine startup.

**<Refueling>**

Always stop the engine and let it cool down before refueling.

**<Usable Gasoline> ..... Automobile gasoline (petrol)**

- Slightly loosen the fuel tank cap to release pressure and thus equalize external and internal air pressure.
- Remove fuel tank cap and refuel. (Do not fill to the top of the tank neck.)
- After refueling, firmly tighten on fuel tank cap.
- The fuel tank cap is a consumable product. Therefore, if it shows wear or other abnormalities, replace it. (Rough guide to replacement is once every two or three years.)



## Operating

### Starting

#### ⚠ WARNING:

Do not start the engine in locations where refueling has taken place. Move at least three meters away from the place where the Power Cutter was fuelled.

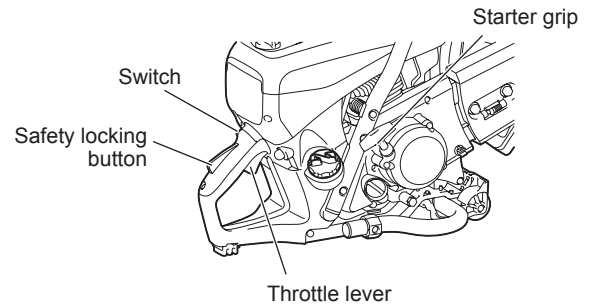
- Failure to do so may cause flames or fire.

#### ⚠ CAUTION:


Before starting engine, be sure to check that the cutting disc is not touching the ground or any other obstacle.

- If the cutting disc is touching the ground or other obstacle, it may cause an accident.

As soon as the engine starts, the cutting disc will rotate, so be fully aware of nearby people and obstacles.

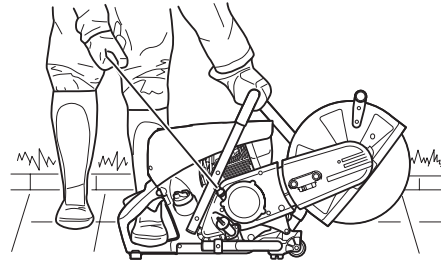


### 1. Cold-starting

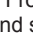
- (1) Repeatedly press primer pump until fuel enters it.
- (2) Flip switch in direction of  (choke).
- (3) Hold down rear handle with a foot and firmly hold down tubular handle with a hand.
- (4) Vigorously pull the start handle repeatedly until the first firing up sound is heard.

### Warming up

- Once engine starts, hold down safety lever, and squeeze and release throttle repeatedly for one or two minutes to warm up the engine.
- Once engine speed stabilizes and it revs smoothly from low to high speed, warming up is complete.

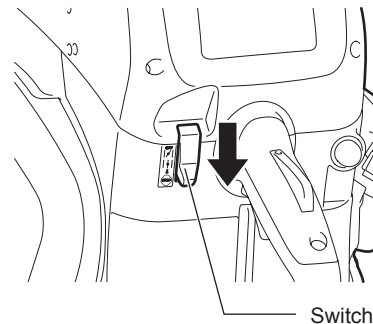


### 2. Starting up when engine is warm


Press the primer pump several times. From the outset, place the switch in the  (operating) position, and start the engine using task (3) of procedure 1 above.


#### NOTE:

- Repeatedly pulling and releasing the starter grip with the switch set to choke will flood the engine with fuel, making start up difficult.
- When the engine stops, never squeeze the throttle lever. Unnecessarily squeezing the throttle lever with the engine stopping will flood the engine with fuel, making start up difficult.
- If the engine does become flooded with fuel, remove the spark plug, and slowly pull the starter handle several times to remove the excess fuel. Also, dry the electrode section of the spark plug.
- Do not pull starter handle to the limit of the rope, as doing so shortens the lifespan of the rope. Furthermore, gently return the starter handle without suddenly letting go of it.
- Avoid letting the Power Cutter run at maximum idling speed, as doing so will shorten the lifespan of the engine.



### 3. Stopping

To stop the engine, release the throttle, and set the switch to the  (Stop) position.

If the choke lever is wrongly moved to the  position to stop the tool, use half throttle to restart.

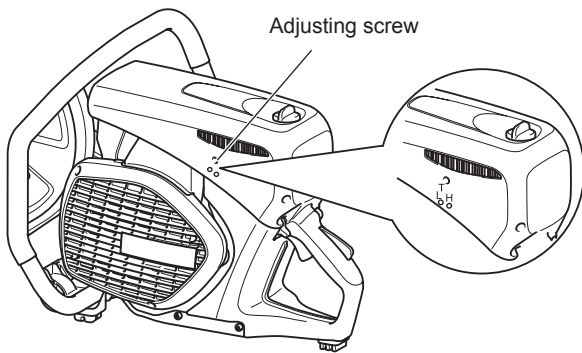
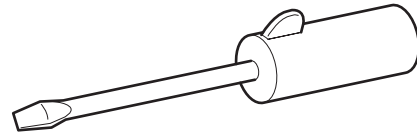
## Adjusting the carburetor



**NOTE:** This engine is equipped with an electronic ignition to limit the speed. The carburetor also has a fixed jet which cannot be adjusted.

At the factory the idling speed has been set to approx. 2,600 min<sup>-1</sup>, but the running-in process of a new engine may require slight readjustment of the idling speed.

Set the idling speed with a screwdriver (width of blade: 4 mm). A screwdriver with a molded-on lug, supplied as an optional accessory, is useful for the adjustment.



### 4. Idling adjustment

**CAUTION:** Carburetor adjustment may only be done by a specialist MAKITA service center!

Do not undertake any adjustments to adjusting screws (H) and (L) without a tachometer! Incorrect adjustment can lead to engine damage!

A tachometer is needed for adjustments to adjusting screws (H) and (L), because if the engine runs over its maximum rated speed, it can overheat and run out of lubricant. This can damage the engine!

Only adjusting screw (T) can be manipulated by the user. If the cutting disc moves in idle (i.e. without the throttle being pressed), it is imperative to correct the idle speed! Idle speed adjustment must only be undertaken when the engine is warm, with a clean air filter.

Use a screwdriver (4 mm blade) for idle adjustments.

## MAINTENANCE

### CAUTION:

- Before doing any work on the Power Cutter stop the engine and let it cool down, remove the cutting disc, pull the plug cap off the spark plug and wear protective gloves!

Carrying out maintenance directly after stopping the engine or with the plug cap on the spark plug may cause burns from hot engine or injury from inadvertent start up.

- Start the Power Cutter only after complete assembly and inspection.
- Never use gasoline, benzine, thinner, alcohol or the like. Discoloration, deformation or cracks may result.

### NOTE:

- Wipe off dirt from the Power Cutter and then select a clean workplace to carry out maintenance.





## SERVICE

### IMPORTANT:

Because many of the parts and assemblies not mentioned in this Instruction Manual are vital to the safety of the unit, and because all parts are subject to a certain amount of wear and tear, it is important for your own safety that you have the unit checked and maintained regularly by a MAKITA service center.

### IMPORTANT:



If the cutting wheel breaks during cutting, the Power Cutter must be repaired by a MAKITA service centre before being used again!

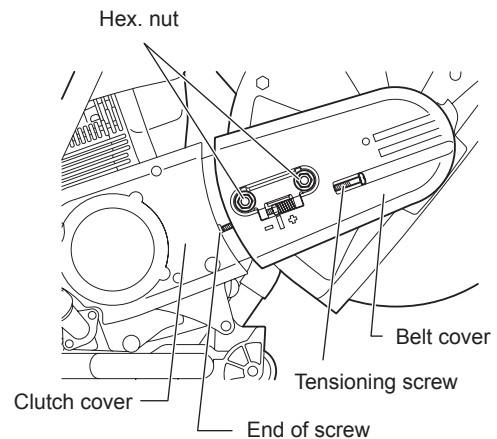
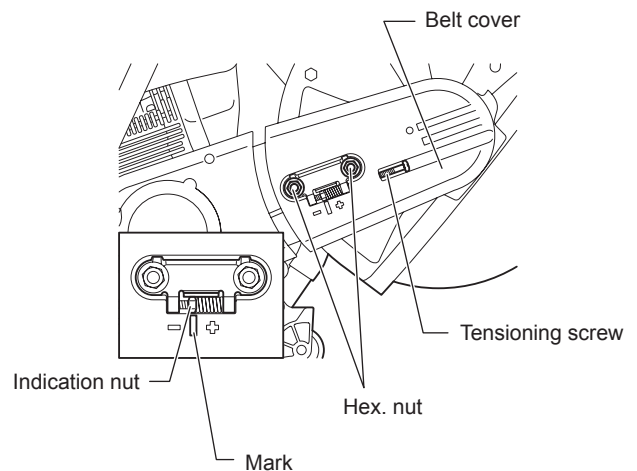
## V-belt

### 1. Adjusting V-belt tension

- If the cutting disc halts in mid operation easily, the V-belt has slackened. If this is the case, adjust tension using the following procedure.
  - (1) Loosen belt cover tightening nuts.
  - (2) Turn the tension adjustment screw to the right (clockwise) until the indicator nut reaches the marked position in order to increase the tension of the V-belt.
  - (3) Once V-belt tensioning is complete, firmly retighten the belt cover tightening nuts.
- If the cutting disc stops easily even though the tension of the V-belt has been adjusted, or the V-belt breaks, replace with a new V-belt.

### 2. Changing the V-belt

- (1) Loosen tightening nut, and turn tension adjustment screw to the left until the end of the screw is visible.
- (2) Remove tightening nuts, and then remove belt cover.
- (3) Next, remove the three mounting screws, and remove the clutch cover.
- (4) Remove the old V-belt, and fit on a new V-belt. Now, remount the clutch cover followed by belt cover.
- (5) Adjust tension as shown in the Adjusting V-belt tension section.



## Cleaning the protection hood

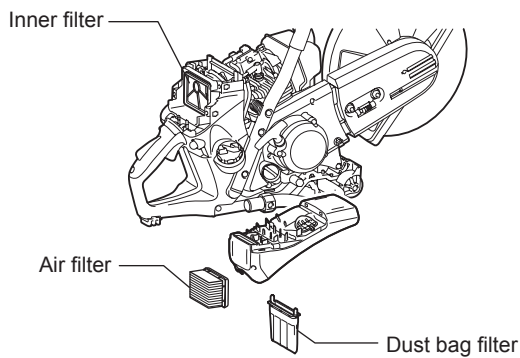
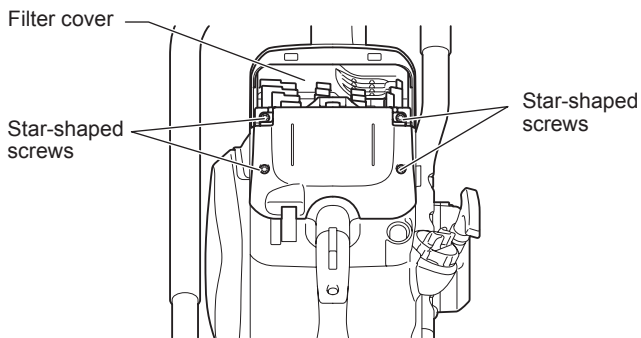
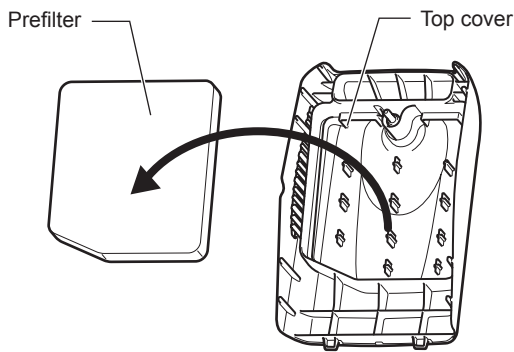
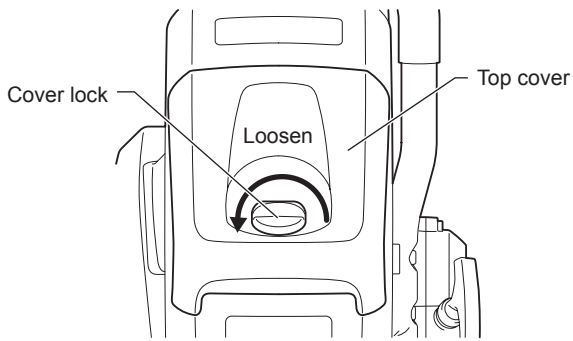
Over time, the inside of the protection hood can become caked with material residue (especially from wet cutting), which if allowed to accumulate can hinder the free rotation of the cutting disc. For this reason the hood must be cleaned out from time to time.

Take off the cutting wheel and remove the accumulated material from inside the hood with a strip of wood or similar implement. Clean the shaft and all disassembled parts with a cloth.

**NOTE:** To install the cutting wheel see “Mounting the cutting disc”.





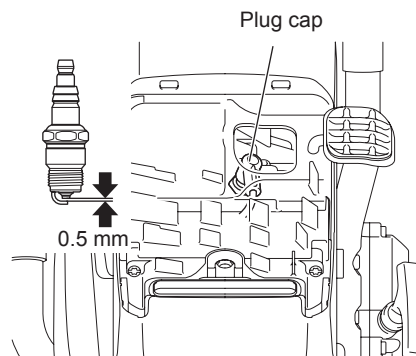
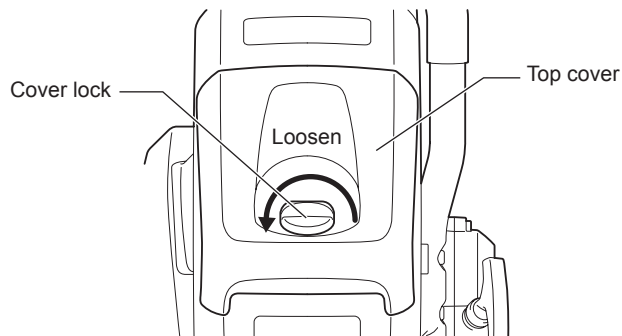


### Cleaning/changing the air filter

- If the air filter becomes clogged, it may cause poor engine performance. Therefore, every time after using the Power Cutter, be sure to clean the air filter in the following way.
- Turn the cover lock to the left and remove it.
- Remove the top cover after blowing off dust from it.
- Next, remove the prefilter.
- Remove the four star-shaped screws.
- Remove the filter cover.
- Remove the air filter.
- Remove the dust bag filter from the filter cover and gently tap and blow on it to clean.
- Gently tap and blow on the inner filter to remove dirt and dust. Also, periodically wash the inner filter in soapy water and dry thoroughly.
- To clean the air filter tap it gently. If an air compressor is to be used, blow the compressed air onto the inside of the air filter. Do not wash the air filter.
- Blow off dust from around the filters.
- Reassemble the air filter to filter cover once cleaning is finished.
- Tighten the cover lock firmly.

## Spark plug maintenance

- (1) Loosen the cover lock and remove the top cover.
- (2) Open plug cover, remove plug cap, and remove spark plug.
- (3) Check to see whether or not the electrode gap is 0.5 mm. If the gap is too big or too small, adjust it to 0.5 mm.
- (4) If carbon and/or dirt has gathered on spark plug, clean, and then remount. An excessively worn or burnt spark plug should be replaced with a new one.
- (5) After carrying out maintenance on the spark plug, remount it, attach plug cap, and then secure plug cover.



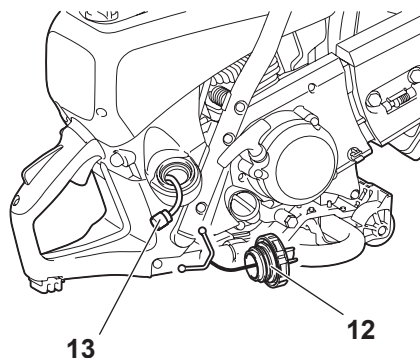
## Replacing the suction head

The fuel tank filter (13) of the suction head can become clogged. It is recommended to replace the suction head once every three months in order to ensure unimpeded fuel flow to the carburetor. Unscrew the fuel tank cap (12) and pull the loss-prevention stopper out.

Empty fuel tank.

To remove the suction head for replacement, pull it out through the tank filler neck using a piece of wire bent at one end to form a hook.

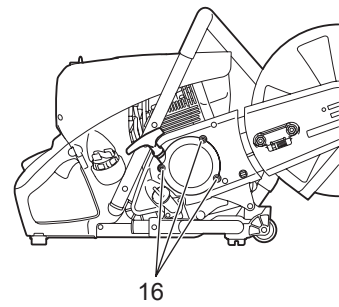
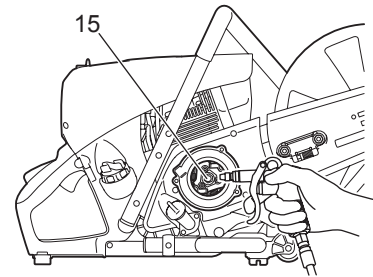
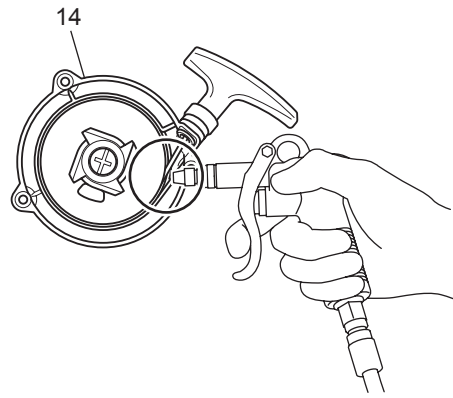
**⚠ CAUTION:** Do not allow fuel to come into contact with skin!



## Cleaning the starter

When the starter doesn't work well, for example the starter rope doesn't return to initial position, it is necessary to blow off dust from the starter (14) and the clutch (15).

To clean the starter and the clutch, remove three screws (16) for access.



Mounting direction

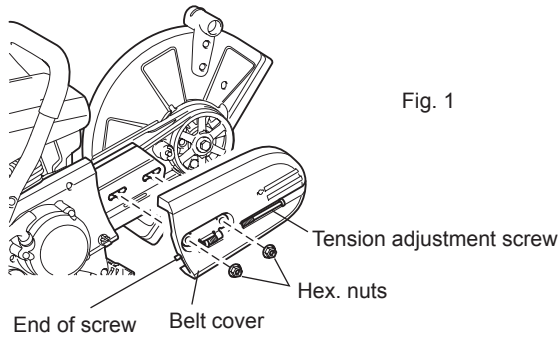
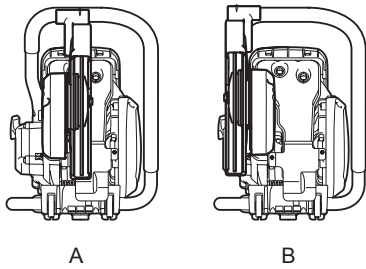


Fig. 1

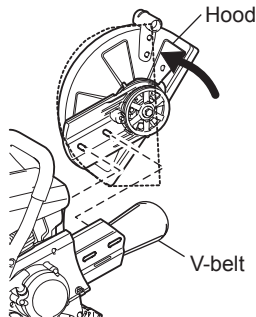


Fig. 2

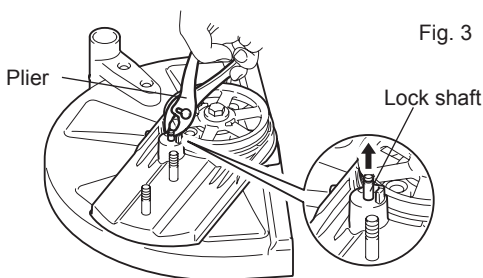


Fig. 3

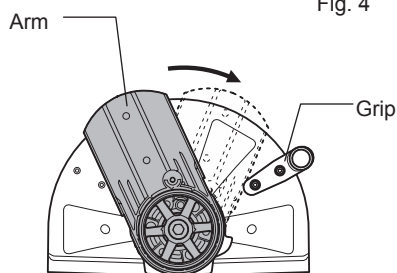


Fig. 4

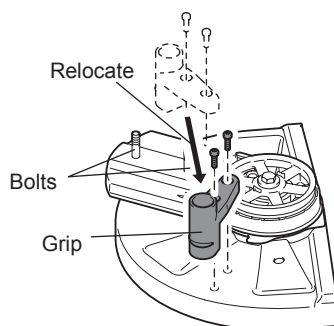


Fig. 5

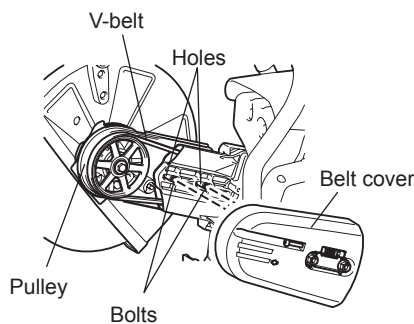


Fig. 6

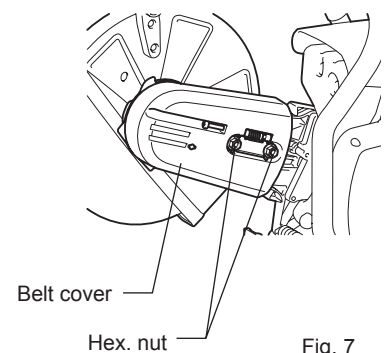


Fig. 7

## Changing the cutting attachment position (central/side)

### Mounting direction of hood

- The Power Cutter's cutting attachment is mounted in the direction shown in Fig. A. If desired, use the following procedure to mount it in the direction shown in Fig. B.

### Mounting in direction B

- Loosen tightening nut, and turn tension adjustment screw to the left until the end of the screw is visible. (Fig. 1)
- Remove tightening nuts and remove belt cover. (Fig. 1)
- Rotate the hood to the broken line position. Remove V-belt and then remove cutting attachment from the Power Cutter. Reposition the grip. (Fig. 2)
- Pick up the lock shaft with a slotted screwdriver or a plier. (Fig. 3)
- Rotate the arm until it contacts the grip and return the lock shaft to the original position by hand. (Fig. 4) Reposition the grip. (Fig. 5)
- Turn over the removed cutting attachment, pass bolt through hole, and remount in direction B. Remount the V-belt to the pulley. (Fig. 6)
- Mount belt cover. (Fig. 7)  
Turn the tension adjustment screw to adjust the tension of the V-belt. Once tension adjustment is finished, firmly tighten the tightening nut.

## SPECIAL ACCESSORIES

### Diamond cutting discs

MAKITA diamond cutting discs meet the highest demands in working safety, ease of operation, and economical cutting performance. They can be used for cutting all materials **except metal**.

The high durability of the diamond grains ensures low wear and thereby a very long service life with almost no change in disc diameter over the lifetime of the disc. This gives consistent cutting performance and thus high economy. The outstanding cutting qualities of the discs make cutting easier.

The metal disc plates give highly concentric running for minimal vibration during use.

The use of diamond cutting discs reduces cutting time significantly. This in turn leads to lower operating costs (fuel consumption, wear on parts, repairs, and last but not least environmental damage).

### Guide trolley

The MAKITA guide trolley makes it much easier to do straight cuts, while simultaneously enabling almost untiring working. It can be adjusted for the operator's height, and can be operated with the cutting attachment mounted in the middle or on the side.

A depth limiter can be added for still easier and more accurate cutting. It makes it possible to maintain a precise predetermined cut depth.

To keep down dust and for better cutting-disc cooling, MAKITA offers several options for wetting the disc during operation.

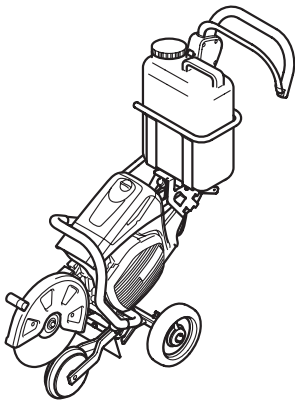
### Water tank (the component of trolley)

The water tank is designed to be mounted on the guide trolley. Its high capacity makes it especially suitable for situations involving frequent site changes. For filling or for fast changing to reserve tanks, the tank can be simply lifted off the trolley. The water tank comes with all necessary connections and hoses. Mounting to the trolley and Power Cutter are very fast and simple.

### Mains/pressure water system

The mains/pressure water system is designed to be mounted on the Power Cutter. It can be used with or without the trolley, but is especially suitable for applications involving hand-held, stationary cutting. The water line has a fast-release connection, and can be fed either from a mains supply or from a pressure tank (7). The water system comes with all necessary connections and lines. It can be quickly and easily mounted on the Power Cutter.

- Trolley set  
This is useful for road bed cutting
- Filter set  
Prefilter (5 filters)  
Air filter (1 filter)  
Dust bag filter (1 filter)



## Maintenance chart

Item	Operating time	Before operation	After refueling	Daily (10h)	20h	30h	50h	200h	Before storage	Corresponding P
Engine oil	Inspect/clean	○								14
	Replace					○*1				
Tightening parts (bolt, nut)	Inspect	○								—
Fuel tank	Clean/inspect	○								—
	Drain fuel								○*3	9
V-belt	Inspect/adjust	○								18
Throttle lever	Check function		○							—
Stop switch	Check function		○							16
Cutting disc	Inspect	○		○						6
Idle speed	Inspect/adjust			○						17
Air filter	Clean						○			19
Dust bag filter	Clean/replace				○					19
Prefilter	Clean/replace			○						19
Spark plug	Inspect			○						20
Cooling air passage and cylinder fins	Clean/inspect			○						—
Fuel pipe	Inspect			○						—
	Replace							◎*2		—
Fuel filter	Clean/replace						○			20
Valve clearance (intake valve and exhaust valve)	Inspect/adjust							◎*2		—
Carburetor	Drain fuel								○*3	9

\*1 Perform initial replacement after 20h operation.

\*2 For the 200 operating hour inspection, request Authorized Service Agent or a machine shop.

\*3 After emptying the fuel tank, continue to run the engine and drain fuel in the carburetor.

## Fault location

Fault	System	Observation	Cause
Cutting disc does not start turning	Clutch	Engine runs	Damage to clutch
Engine does not start or with difficulty	Ignition system	Ignition spark O.K. No ignition spark	Fault in fuel supply or compression system, mechanical defect STOP-switch operated, wiring fault or short circuit, spark plug or connector defective, ignition module faulty
	Fuel supply	Fuel tank filled	Incorrect choke position, carburetor defective, fuel supply line bent or blocked, fuel dirty
	Compression system	No compression when pulled over	Cylinder head gasket defective, crankshaft seals damaged, cylinder or piston rings defective or improper sealing of spark plug
	Mechanical fault Clutch	Starter not engaging Contamination adheres to clutch and around parts	Broken starter spring, broken parts inside of the engine Ratchet spring contaminated and opened, have it cleaned
Warm start problems	Carburetor	Tank filled, ignition spark existing	Carburetor contaminated, have it cleaned
Engine starts, but dies immediately	Fuel supply	Tank filled	Incorrect idling adjustment, suction head or carburetor contaminated Fuel tank vent defective, fuel supply line interrupted, cable or STOP-switch faulty
Insufficient performance	Several systems may simultaneously be affected	Engine idling poor	Air filter contaminated, carburetor contaminated, muffler clogged, exhaust duct in the cylinder clogged



## Troubleshooting

Before making a request for repairs, check a trouble for yourself. If any abnormality is found, control your machine according to the description of this manual. Never tamper or dismount any part contrary to the description. For repairs, contact Authorized Service Agent or local dealership.

State of abnormality	Probable cause (malfunction)	Remedy
Engine does not start	Failure to operate primer pump	Push 7 to 10 times
	Low pulling speed of starter rope	Pull strongly
	Lack of fuel	Feed fuel
	Clogged fuel filter	Clean
	Broken fuel tube	Straighten fuel tube
	Deteriorated fuel	Deteriorated fuel makes starting more difficult. Replace with new one. (Recommended replacement: 1 month)
	Excessive suction of fuel	Set throttle lever from medium speed to high speed, and pull starter handle until engine starts. Once engine starts, cutting disc starts rotating. Pay full attention to cutting disc. If engine will not start still, remove spark plug, make electrode dry, and reassemble them as they originally are. Then, start as specified.
	Detached plug cap	Attach securely
	Contaminated spark plug	Clean
	Abnormal clearance of spark plug	Adjust clearance
	Other abnormality of spark plug	Replace
	Abnormal carburetor	Make request for inspection and maintenance.
	Starter rope cannot be pulled	Make request for inspection and maintenance.
	Abnormal drive system	Make request for inspection and maintenance.
Contaminated clutch and around parts	Clean	
Engine stops soon Engine speed does not increase	Insufficient warm-up	Perform warm-up operation
	Choke lever is set to "H" although engine is warmed up.	Set to "ON II"
	Clogged fuel filter	Clean
	Contaminated or clogged air cleaner	Clean
	Abnormal carburetor	Make request for inspection and maintenance.
	Abnormal drive system	Make request for inspection and maintenance.
Cutting disc does not rotate ↓ Stop engine immediately	Loosened cutting disc-tightening bolt	Tighten securely
	Abnormal drive system	Make request for inspection and maintenance.
Main unit vibrates abnormally ↓ Stop engine immediately	Broken, bent or worn cutting disc	Replace cutter blade
	Loosened cutting disc-tightening bolt	Tighten securely
	Abnormal drive system	Make request for inspection and maintenance.
Cutting disc does not stop immediately ↓ Stop engine immediately	High idling rotation	Adjust
	Detached throttle linkage	Make request for inspection and maintenance.
	Abnormal drive system	Make request for inspection and maintenance.
Engine does not stop ↓ Run engine at idling, and set choke lever to "H"	Detached connector	Attach securely
	Abnormal electric system	Make request for inspection and maintenance.

When the engine does not start after warm-up operation:

If there is no abnormality found for the check items, open the throttle by about 1/3 and start the engine.

## Storage

### WARNING:

**When draining out fuel, always stop the engine, let it cool, and then drain fuel.**

- Draining fuel directly after stopping the engine may cause flames or fire, which could cause burn injuries.

### CAUTION:

**If the Power Cutter is not to be used for a prolonged period, drain out all the fuel, and store the Power Cutter in a dry, clean location.**

- Use the following procedures to drain out fuel from fuel tank and carburetor.

(1) Remove fuel tank cap, drain out fuel until tank is empty.

At this time, check to see if there is foreign matter inside the fuel tank. If there is, remove.

(2) Use a piece of wire, etc., to pull out fuel filter from neck of tank.

(3) Press the primer pump until all of the fuel is forced back into the fuel tank, and then be sure to clean out this fuel from the fuel tank.

(4) Return the fuel filter to its position in the fuel tank, and then firmly retighten fuel tank cap.

(5) Finally, run the engine until it stops.

(6) Remove the spark plug, and drain out the few drops of engine oil from the socket hole.

(7) Slowly pull the starter handle, to circulate oil throughout the engine, and then remount the spark plug.

(8) Place the drained off fuel in a proper fuel container, and store in a shaded place that is well ventilated.

## Merci d'avoir acheté un produit MAKITA !

Félicitations d'avoir choisi une découpeuse thermique MAKITA ! Nous sommes convaincus que cet outil moderne satisfera à vos exigences.

Notre souhait est que vous soyez satisfait(e) de votre produit MAKITA.

Afin de garantir des performances et un fonctionnement optimaux de votre découpeuse thermique tout en assurant votre sécurité personnelle, nous vous prions de bien vouloir tenir compte des recommandations suivantes :

**Avant la première mise en marche de la découpeuse thermique, veuillez lire attentivement ce mode d'emploi et respecter scrupuleusement les directives de sécurité. Le non-respect de ces précautions peut entraîner des blessures graves, voire le décès !**



### Pour les pays d'Europe uniquement

#### Déclaration de conformité CE

**Nous, Makita Corporation, en tant que fabricant responsable, déclarons que les machines Makita suivantes :**

Nom de la machine : Découpeuse thermique

N° de modèle/Type : EK7650H, EK7651H

Spécifications : reportez-vous au tableau « Caractéristiques techniques ».

sont fabriquées en série et

**sont conformes aux directives européennes suivantes :**

2000/14/CE, 2006/42/CE

et sont produites conformément aux normes ou documents de normalisation suivants :

EN ISO 19432

La documentation technique est disponible auprès de notre représentant en Europe qui est :

Makita International Europe Ltd.,

Michigan Drive, Tongwell,

Milton Keynes, Bucks MK15 8JD, Angleterre

La procédure d'évaluation de la conformité requise par la directive 2000/14/CE est conforme à l'annexe V.

Niveau de puissance sonore mesurée : 113 dB (A)

Niveau de puissance sonore garantie : 114 dB (A)

14. 1. 2011

Tomoyasu Kato

Directeur

Makita Corporation

3-11-8, Sumiyoshi-cho,

Anjo, Aichi, 446-8502, JAPAN

## Table des matières

## Page

<b>Emballage</b> .....	28
<b>Matériel fourni</b> .....	29
<b>Symboles</b> .....	29
<b>PRÉCAUTIONS DE SÉCURITÉ</b> .....	30
Précautions générales .....	30
Dispositifs de protection .....	30
Carburant/Ravitaillement.....	31
Mise en marche.....	31
Disques de coupe .....	32
Retour de choc et blocage .....	33
Comportement et technique de travail .....	33
Découpe de métal .....	34
Découpe de pierre et de béton.....	34
Transport et rangement.....	35
Maintenance.....	36
Premiers secours .....	36
<b>Caractéristiques techniques</b> .....	37
<b>Désignation des pièces</b> .....	38
<b>MISE EN MARCHÉ</b> .....	39
Montage du disque de coupe.....	39
Serrage de la courroie trapézoïdale /	
Vérification de la tension de la courroie trapézoïdale .....	40
Avant utilisation .....	40
<b>Fonctionnement</b> .....	42
Démarrage .....	42
<b>Réglage du carburateur</b> .....	43
<b>ENTRETIEN</b> .....	43
Courroie trapézoïdale .....	44
Nettoyage du capot de protection .....	44
Nettoyage/remplacement du filtre à air .....	45
Entretien de la bougie .....	46
Remplacement de la tête d'aspiration.....	46
Nettoyage du démarreur .....	47
Changement de position de l'accessoire de coupe	
(centrale/latérale) .....	48
<b>ACCESSOIRES SPÉCIAUX</b> .....	49
Disques de coupe diamant.....	49
Chariot de guidage.....	49
Réservoir d'eau (composant du chariot) .....	49
Réseau de distribution/dispositif d'eau sous pression .....	49
<b>Tableau d'entretien</b> .....	50
<b>Résolution de pannes</b> .....	51
<b>Dépannage</b> .....	52
<b>Entreposage</b> .....	53

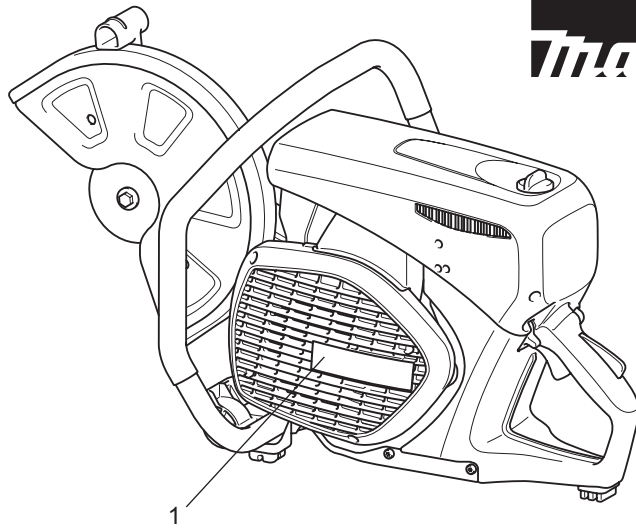
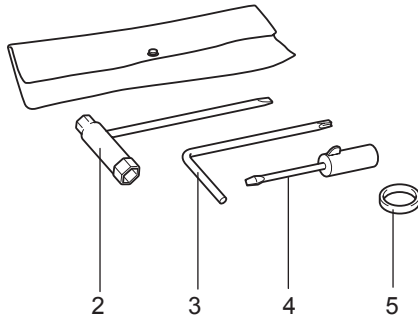
## Emballage

Votre découpeuse thermique MAKITA est emballée dans une caisse en carton pour éviter tout dommage lors du transport.

Le carton est une matière brute et peut donc être réutilisé ou recyclé (recyclage de papier).



## Matériel fourni



1. Découpeuse thermique
2. Clé mixte 13/19 AF
3. Clé en étoile
4. Tournevis de réglage du carburateur
5. Bague pour douille (dans certains pays, les outils n'ont pas besoin de cette bague.)
6. Mode d'emploi (non illustré)

Si l'une des pièces répertoriées n'est pas incluse dans votre colis, consultez votre revendeur.

## Symboles

Vous rencontrerez les symboles suivants sur la découpeuse et dans le mode d'emploi :

	Lisez le mode d'emploi et suivez les avertissements et les précautions de sécurité !		Dimensions du disque de coupe
	Mises en garde particulières !		Démarrage manuel du moteur
	Interdit !		Arrêtez le moteur !
	Portez un casque protecteur, des lunettes de protection, des protège-oreilles et un équipement de protection respiratoire !		Avertissement ! Choc en retour !
	Portez des gants de sécurité		Carburant (Essence)
	Ne fumez pas !		Premier secours
	Pas de feu en plein air !		Recyclage
	Sens de rotation de la meule		Signe CE
	<b>AVERTISSEMENT</b> : la vitesse périphérique maximale du disque de coupe est de 80 m/s !		

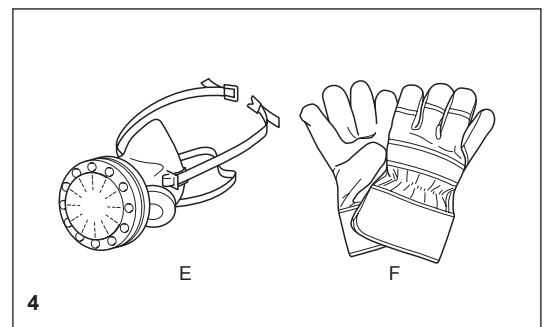
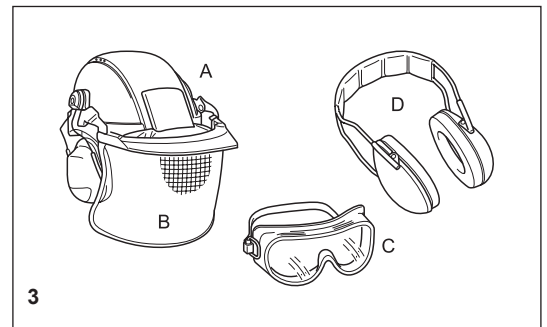
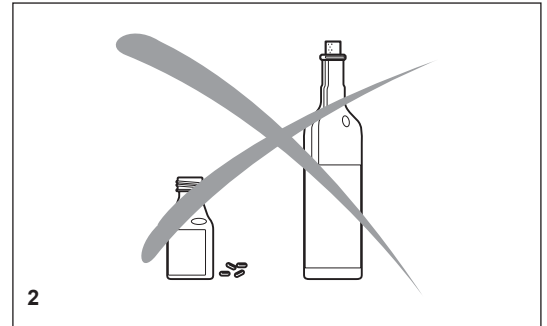
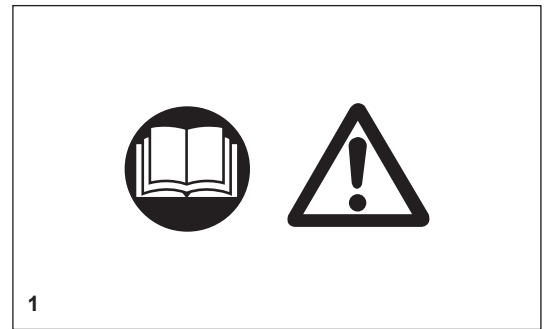
# PRÉCAUTIONS DE SÉCURITÉ

## Précautions générales

- Vous **DEVEZ lire ce mode d'emploi pour garantir le fonctionnement sûr de l'outil (même si vous avez déjà utilisé des découpeuses thermiques)**. Il est important de vous familiariser avec le fonctionnement de ce type de découpeuse thermique. Sans ces informations, vous risquez de vous mettre en danger ou de blesser d'autres personnes en raison d'une utilisation incorrecte.
- Seules les personnes ayant déjà utilisé une découpeuse thermique doivent être autorisées à travailler à l'aide de cet outil. Si vous prêtez la découpeuse thermique à un tiers, fournissez-lui également le présent mode d'emploi.
- Les personnes utilisant cet outil pour la première fois doivent demander à un spécialiste de leur apprendre à travailler avec une découpeuse thermique à essence.
- Les enfants et les jeunes âgés de moins de 18 ans ne doivent pas utiliser cette découpeuse thermique. Toutefois, les personnes de plus de 16 ans peuvent l'utiliser à des fins de formation, dans la mesure où ils sont sous la supervision d'un formateur agréé.
- L'utilisation de la découpeuse thermique nécessite beaucoup de concentration.
- Utilisez la découpeuse thermique uniquement si vous êtes en bonne condition physique. Si vous êtes fatigué(e), votre attention sera réduite. Soyez particulièrement prudent(e) à la fin d'une journée de travail. Effectuez tout le travail avec calme et prudence. Vous êtes responsable par rapport aux autres personnes.
- Ne travaillez jamais sous l'emprise de l'alcool, de drogues, de médicaments ou d'autres substances susceptibles de gêner votre visibilité, votre dextérité ou votre jugement.
- Un extincteur doit être facilement accessible.
- La découpe de l'amiante et d'autres matériaux susceptibles de libérer des toxines ne doit être effectuée qu'en prenant les précautions de sécurité nécessaires, après notification aux autorités compétentes et sous leur supervision ou celle d'une personne nommée par celles-ci.

## Dispositifs de protection

- **Pour éviter de vous blesser à la tête, aux yeux, aux mains ou aux pieds et pour éviter toute lésion de l'ouïe pendant l'utilisation de la découpeuse thermique, utilisez les équipements de protection suivants.**
- Les vêtements doivent être pratiques, c'est-à-dire ajustés, sans être gênants. Ne portez pas de vêtements dans lesquels des particules de matériaux peuvent s'accumuler (pantalons avec des poignets, vestes et pantalons avec des poches ouvertes, etc.), en particulier lors de la découpe de métal.
- Ne portez pas de bijoux ni de vêtements susceptibles d'être happés ou de se dérober de la découpeuse thermique.
- Vous devez porter un casque de protection lors de l'utilisation de la découpeuse thermique. Contrôlez régulièrement le **casque de protection (A)** afin de vérifier qu'il n'est pas endommagé et remplacez-le tous les 5 ans au minimum. N'utilisez que des casques de protection agréés.
- Le **viseur (B)** protège le visage de la poussière et des particules de matériau. Pour éviter de vous blesser les yeux et le visage, portez toujours des **lunettes de sécurité (C)** ou un viseur lors de l'utilisation de la découpeuse thermique.
- Pour éviter d'endommager votre ouïe, portez toujours un **dispositif de protection de l'ouïe** personnel adapté (protège-oreilles (D), bouche-oreilles, etc.). Analyse de la marque Octave sur demande.
- Lors du découpage à sec de matériaux produisant de la poussière, tels que de la pierre ou du béton, portez toujours un **équipement de protection respiratoire (E)** certifié.
- **Portez les gants (F)** en cuir épais fournis dans le kit de travail de la découpeuse thermique lors de chaque utilisation de celle-ci.



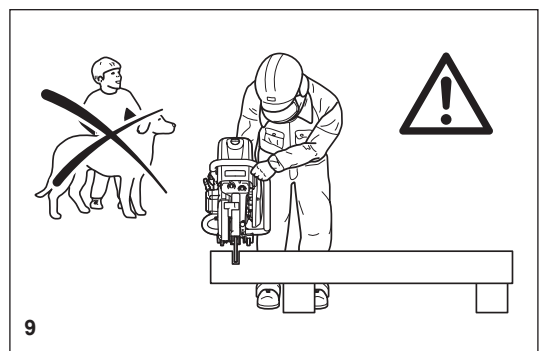
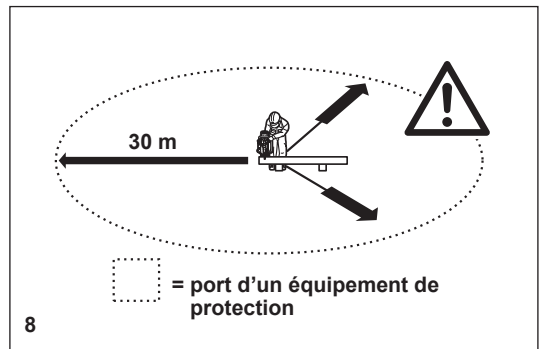
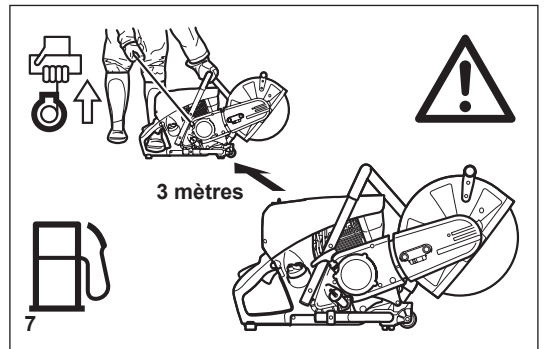
- Portez toujours des **chaussures ou bottes de sécurité** (G) munies d'embouts de sécurité, de semelles antidérapantes et de jambières lors de l'utilisation de la découpeuse thermique. Les chaussures de sécurité équipées d'une couche de protection protègent contre les coupures et garantissent une bonne position d'équilibre.
- Portez toujours des **vêtements de travail** (H) solides.

### Carburant/Ravitaillement

- Avant de procéder au ravitaillement, rendez-vous dans un lieu sûr et plat. **N'effectuez jamais le ravitaillement sur un échafaudage, sur un tas de matériaux ou dans des endroits de ce type !**
- Coupez le moteur avant de ravitailler la découpeuse thermique.
- Ne fumez pas et ne travaillez pas à proximité de feux en plein air (6).
- Laissez le moteur refroidir avant de procéder au ravitaillement.
- Le carburant peut contenir des substances similaires aux solvants. Les yeux et la peau ne doivent pas entrer en contact avec les produits pétroliers. Portez toujours des gants de protection lors du ravitaillement (et non des gants utilisés pour les travaux courants !) Nettoyez fréquemment vos vêtements de protection et changez-en souvent. Ne respirez pas les vapeurs de carburant. L'inhalation des vapeurs de carburant peut être dangereuse pour votre santé.
- Ne renversez pas de carburant. En cas de déversement, nettoyez immédiatement la découpeuse thermique. Le carburant ne doit pas entrer en contact avec les vêtements. Si vos vêtements sont entrés en contact avec du carburant, changez-en immédiatement.
- Assurez-vous que le carburant ne coule pas sur le sol (protection de l'environnement). Utilisez une bâche appropriée.
- Il est interdit de procéder au ravitaillement dans une pièce fermée. Les vapeurs de carburant s'accumuleraient près du sol (risque d'explosion).
- Veillez à visser à fond le bouchon du réservoir de carburant.
- Avant de démarrer le moteur, rendez-vous à 3 mètres au moins de l'endroit où vous avez procédé au ravitaillement de la découpeuse thermique (7), mais en dehors du rayon de projection du disque de coupe (sens des étincelles).
- Le carburant ne peut pas être conservé pendant une durée illimitée. N'en achetez que pour une consommation à court terme.
- Utilisez uniquement des récipients certifiés et colorés pour le transport et le stockage du carburant.
- **Gardez le carburant hors de portée des enfants !**

### Mise en marche

- **Ne travaillez pas seul(e). Une personne doit toujours se trouver à proximité en cas d'urgence (à portée de voix).**
- Respectez les réglementations antibruit lorsque vous travaillez dans un quartier résidentiel.
- **N'utilisez jamais la découpeuse thermique près de matériaux inflammables ou de gaz explosifs ! La découpeuse thermique peut provoquer des étincelles entraînant un incendie ou une explosion !**
- Assurez-vous que toutes les personnes situées dans un rayon de 30 mètres, par exemple les autres travailleurs, portent des équipements de protection (voir « Dispositifs de protection ») (8). Les enfants et les autres personnes non autorisées doivent rester à plus de 30 mètres de la zone de travail. Gardez également un œil sur les animaux présents (9).
- **Avant d'utiliser la découpeuse thermique, vérifiez qu'elle fonctionne parfaitement et en toute sécurité, conformément aux recommandations.** En particulier, assurez-vous que la meule est en bon état (remplacez-la immédiatement si elle est cassée, endommagée ou déformée), qu'elle est correctement installée, que le capot de protection est bloqué, que le protège-main est bien fixé, que la tension de la courroie trapézoïdale est correcte, que l'accélérateur peut être aisément déplacé, que les poignées sont propres et sèches et que l'interrupteur à prise de courant fonctionne correctement.
- Démarrez la découpeuse thermique uniquement après avoir procédé à son montage complet et à son examen. N'utilisez jamais la découpeuse thermique si elle n'est pas complètement assemblée.





## Disques de coupe

- **Le capot de protection doit toujours être en place ! Ne changez les disques que lorsque le moteur est éteint !**
- Il existe deux types de disques de coupe :
  - Pour le métal (découpage à chaud)
  - Pour les pierres (découpage à froid)

### REMARQUE :

Lors de l'utilisation des disques de coupe diamant, veillez à toujours respecter le « sens de rotation » indiqué. Les disques diamant ne doivent être utilisés que pour couper des pierres, de la brique, du béton, etc.

- Les disques de coupe ne sont prévus que pour le chargement radial, c'est-à-dire pour les découpes.

Ne meulez pas à l'aide des côtés du disque de coupe ! Vous briseriez le disque (10) !

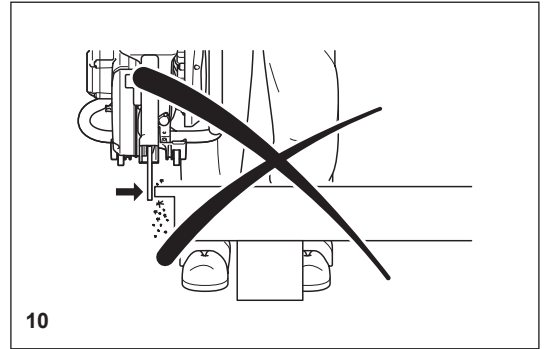
### ⚠ ATTENTION :

**Ne changez jamais de sens (rayon de braquage inférieur à 5 mètres), n'exercez pas de pression latérale (sur le côté) et n'inclinez pas la découpeuse thermique pendant la coupe (11) !**

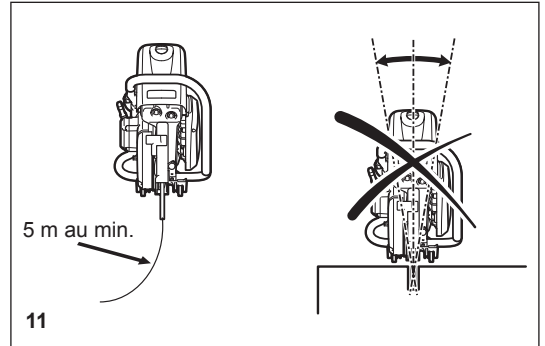
- Utilisez un disque de coupe uniquement pour couper les matériaux prévus à cet effet. Vous devez utiliser un type de disque approprié, pour le métal ou la pierre.
- Le diamètre de l'alésage du disque de coupe doit correspondre exactement à l'arbre. Si le diamètre de l'alésage est plus grand que le diamètre de l'arbre, une bague-d'entretoise doit être utilisée (accessoires).
- Utilisez uniquement des meules approuvées par le DSA (comité allemand sur les disques abrasifs) ou une organisation équivalente pour la découpe à main levée jusqu'à 4 370 tr/min. (= 80 m/sec. au niveau de la circonférence) pour les disques de 14"/355 mm ou jusqu'à 5 100 tr/min. (= 80 m/sec. au niveau de la circonférence) pour les disques de 12"/300 mm.
- Le disque ne doit comporter aucun défaut (12). N'utilisez pas de disque de coupe défectueux.

**Serrez toujours le boulon de montage du disque de coupe selon un couple de 30 Nm. Dans le cas contraire, le disque de coupe risque de pivoter.**

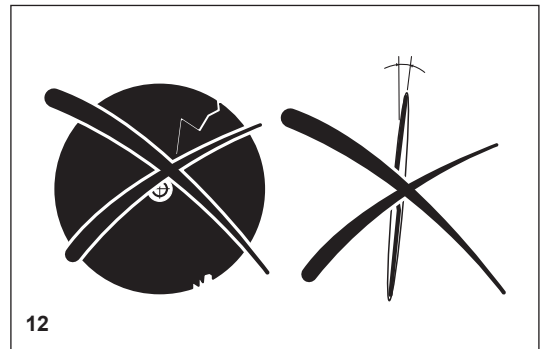
- Avant d'utiliser le disque de coupe, assurez-vous d'avoir une position stable.
- Démarrez la découpeuse thermique conformément à la description indiquée dans le présent mode d'emploi (13). Placez toujours le pied gauche dans la poignée arrière et saisissez fermement l'autre poignée (avec le pouce et les autres doigts). Il est interdit de démarrer l'appareil d'une autre façon.
- Au démarrage, la découpeuse thermique doit être bien soutenue et solidement maintenue. Le disque de coupe ne doit rien toucher.
- Si le disque de coupe est neuf, testez-le en le faisant fonctionner pendant 60 secondes au moins à vitesse maximale. Ce faisant, assurez-vous que personne ni aucune partie du corps ne se trouve dans le rayon de projection du disque, au cas où il serait défectueux et se briserait.
- **Lorsque vous travaillez avec la découpeuse thermique, tenez-la toujours à l'aide des deux mains.** Tenez la poignée arrière avec la main droite et la poignée tubulaire avec la main gauche. Empoignez les poignées fermement en plaçant vos pouces face aux index.
- **ATTENTION : Lorsque vous relâchez le levier d'accélération, le disque continue à tourner quelques instants** (effet de roue libre).
- Vérifiez constamment que vous êtes en position stable.
- Tenez la découpeuse thermique comme si vous n'alliez pas respirer les gaz d'échappement. Ne travaillez pas dans une pièce confinée ni dans des fosses ou trous profonds (danger d'empoisonnement par des fumées).
- **Éteignez immédiatement la découpeuse thermique si vous observez un changement de comportement de l'appareil.**
- **Coupez le moteur avant d'examiner ou de tendre la courroie trapézoïdale, de remplacer la meule, de repositionner le dispositif de coupe** (en position latérale ou centrale) **ou de corriger des problèmes** (14).
- Coupez immédiatement le moteur et examinez le disque si vous entendez ou percevez tout changement de comportement du dispositif de coupe.
- Éteignez la découpeuse thermique lorsque vous faites une pause ou interrompez votre travail (14). Placez l'appareil de sorte que le disque ne touche aucun objet et ne constitue un danger pour personne.
- Ne placez pas la découpeuse thermique chaude dans de l'herbe sèche ou sur des objets inflammables. Le silencieux est très chaud (risque d'incendie).
- **IMPORTANT :** Après avoir effectué une coupe au mouillé, commencez par couper l'eau, puis laissez le disque tourner au moins 30 secondes, pour éliminer l'eau et éviter la corrosion.



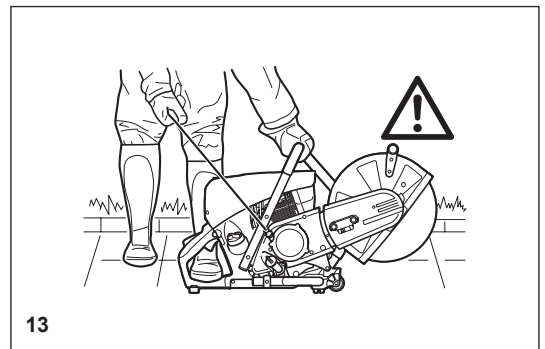
10



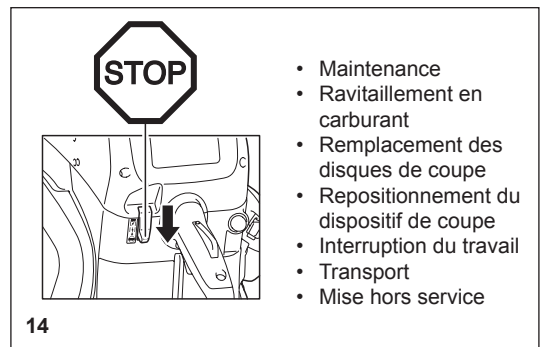
11



12



13



14

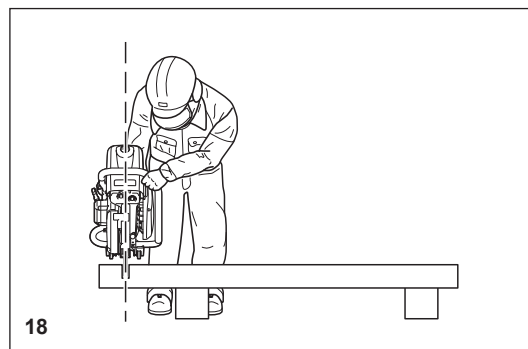
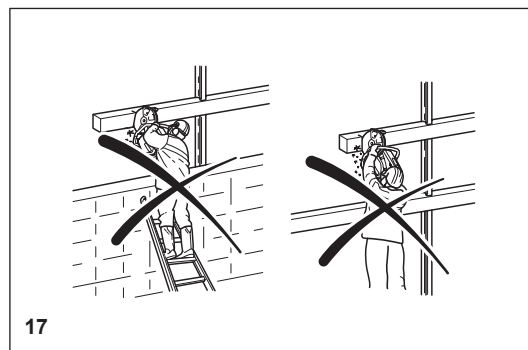
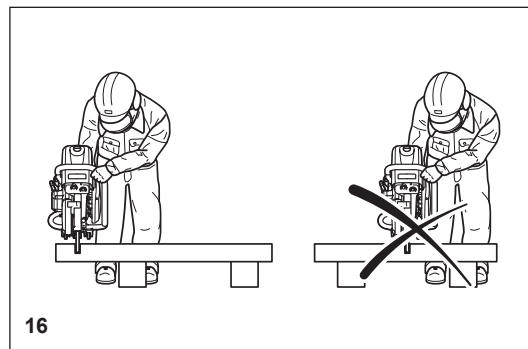
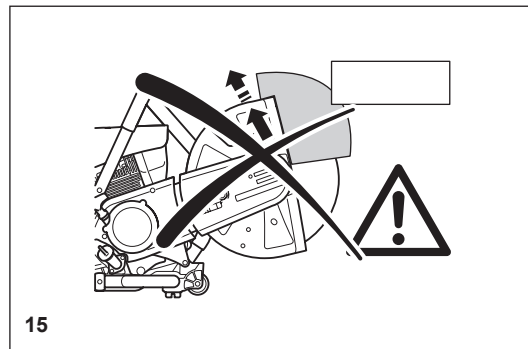


## Retour de choc et blocage

- Lors de l'utilisation de la découpeuse thermique, il existe un risque de choc en retour et de blocage.
- Le choc en retour se produit lorsque la partie supérieure du disque de coupe est utilisée pour découper (15).
- Cela entraîne la projection avec force de la découpeuse thermique vers l'utilisateur sans qu'elle puisse être contrôlée. **Risque de blessure !**  
**Pour éviter les chocs en retour, respectez les consignes suivantes :**
- Ne découpez jamais avec la partie du disque de coupe illustrée sur la figure 15. **Soyez particulièrement prudent lors de la réinsertion du disque dans les coupes déjà entamées !**
- Le blocage se produit lorsque la coupe se rétrécit (pièce fissurée ou sous contrainte).
- Cela entraîne le rebond vers l'avant de la découpeuse thermique avec force et sans qu'elle puisse être contrôlée. **Risque de blessure !**  
**Pour éviter les blocages, respectez les consignes suivantes :**
- Lors de la réinsertion du disque dans de précédentes coupes, faites fonctionner la découpeuse thermique à vitesse maximale. Procédez toujours à la découpe à la vitesse maximale.
- Soutenez toujours la pièce à découper, de sorte que la coupe soit sous tension (16) et que le disque de coupe ne se bloque pas lors de sa progression dans le matériau.
- Avant de commencer à découper, poser avec précaution le disque sur la pièce à travailler.  
Ne le poussez pas simplement dans le matériau.
- Ne coupez jamais plusieurs pièces à la fois ! Lors de la coupe, assurez-vous qu'aucune autre pièce à travailler n'entre en contact avec celle-ci.

## Comportement et technique de travail

- Avant de commencer le travail, vérifiez que la zone de travail ne présente aucun risque (fils électriques, substances inflammables). Repérez clairement la zone de travail (par exemple, à l'aide de panneaux d'avertissement ou d'un cordon de sécurité autour de la zone).
- Lors de l'utilisation de la découpeuse thermique, tenez-la fermement par les poignées avant et arrière. Ne laissez jamais la découpeuse thermique sans surveillance !
- Dans la mesure du possible, faites tourner la découpeuse thermique à la vitesse nominale de l'alésage (voir « Caractéristiques techniques »).
- Utilisez uniquement la découpeuse thermique lorsque l'éclairage et la visibilité sont corrects.  
Méfiez-vous des zones glissantes ou humides ainsi que de la glace et de la neige (risque de glissade).
- Ne travaillez jamais sur des surfaces instables. Vérifiez que la zone de travail ne comporte aucun obstacle, au risque de trébucher. Veillez à toujours avoir une bonne position d'équilibre.
- Ne coupez jamais à une hauteur supérieure à vos épaules (17).
- Ne montez jamais sur une échelle pour procéder à la coupe (17).
- N'utilisez jamais la découpeuse thermique lorsque vous vous trouvez sur un échafaudage.
- Ne vous penchez pas trop pendant l'utilisation de l'outil. Lorsque vous posez et reprenez la découpeuse thermique, ne vous courbez pas, pliez les genoux. Préservez votre dos !
- Guidez la découpeuse thermique de sorte qu'aucune partie de votre corps ne se trouve dans le prolongement de la zone de balancement du disque (18).
- Utilisez les disques uniquement pour les matériaux pour lesquels ils sont conçus !
- N'utilisez pas la découpeuse thermique pour soulever et transporter les matériaux et autres objets.  
**Important !** Avant de procéder à la coupe, retirez tous les corps étrangers, tels que les pierres, le gravier, les clous, de la zone de coupe. Dans le cas contraire, ces objets pourraient être projetés par le disque à grande vitesse. **Risque de blessure !**
- Utilisez un support stable pour couper les pièces sur leur longueur. Au besoin, fixez la pièce à travailler pour éviter qu'elle glisse, mais ne la stabilisez pas avec votre pied et ne laissez personne la tenir.
- Lors de la découpe d'objets arrondis, fixez-les toujours pour éviter qu'ils pivotent.
- Lorsque vous guidez la découpeuse thermique avec votre main, utilisez la position de montage latéral du dispositif de coupe uniquement lorsque cela est vraiment nécessaire.  
Sinon, utilisez toujours la position centrale. Cela permet un meilleur équilibre de l'appareil, ce qui réduit votre fatigue.



## Découpe de métal

### ⚠ IMPORTANT !

Portez toujours un équipement de protection respiratoire certifié !  
Les matériaux susceptibles de dégager des substances toxiques ne peuvent être coupés qu'après notification aux autorités compétentes et sous leur supervision ou celle d'une personne nommée par celles-ci.

### ⚠ ATTENTION :

La rotation rapide du disque de coupe chauffe le métal et le fait fondre au point de contact. Balancez le protège-main le plus bas possible derrière la coupe (19) afin d'orienter le jet d'étincelles vers l'avant et ainsi l'éloigner de l'utilisateur (risque d'incendie).

- Déterminez le sens de la coupe, marquez la coupe et posez le disque sur le matériau à vitesse modérée afin de couper une rainure qui vous servira de guide avant de passer à la vitesse maximale et d'appliquer davantage de pression à la découpeuse thermique.
- Maintenez le disque droit et vertical. Ne l'inclinez pas, au risque de la briser.
- Le meilleur moyen d'obtenir une coupe propre et nette est de tirer ou déplacer la découpeuse thermique selon un mouvement de va-et-vient. N'appuyez pas seulement le disque sur le matériau.
- Il est recommandé de couper les grosses souches par étapes (20).
- Les tubes et tuyaux fins peuvent être découpés en une seule taille vers le bas.
- Découpez les tuyaux de grand diamètre comme les souches. Pour éviter de tomber et mieux contrôler l'outil, ne laissez pas le disque s'enfoncer trop profondément dans le matériau. Coupez plutôt toujours peu profondément autour de l'ensemble de la pièce.
- Le diamètre des disques usés est toujours plus petit que celui des disques neufs, de sorte qu'à vitesse identique du moteur, leur vitesse circumférentielle effective est plus faible et ils ne coupent donc pas aussi bien.
- Coupez les poutres en I et les barres en L par étapes, voir la Figure 21.
- Coupez les bandes et les plaques comme les tuyaux : le long du côté le plus large avec une coupe en longueur.
- Lors de la découpe de matériau sous contrainte (matériau soutenu ou en structures), faites toujours une entaille du côté de la poussée (pression), puis coupez depuis depuis le côté de la tension, de sorte que le disque ne se bloque pas. Fixez le matériau afin qu'il ne tombe pas !

### ⚠ ATTENTION :

Si le matériau est susceptible d'être sous contrainte, préparez-vous à ce qu'il rebondisse. Assurez-vous de pouvoir vous esquiver au besoin !  
Soyez particulièrement prudent (e) dans les parcs à ferraille, sur les lieux d'accident et avec les piles de matériaux désordonnés. Les pièces mal équilibrées ou sous contrainte peuvent se comporter de manière imprévisible et glisser, sauter ou éclater. Fixez le matériau afin qu'il ne tombe pas ! Faites toujours preuve d'une prudence extrême et utilisez uniquement du matériel en parfait état de fonctionnement.

Respectez les règles et réglementations de votre employeur et/ou de votre compagnie d'assurance relatives à la prévention des accidents.

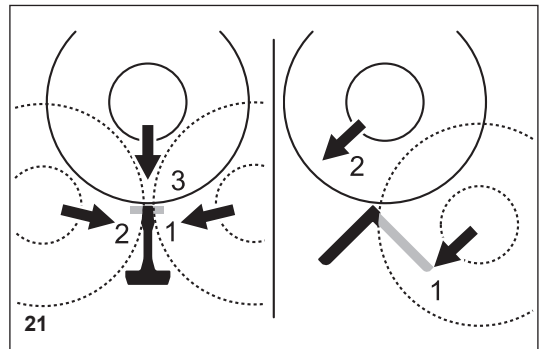
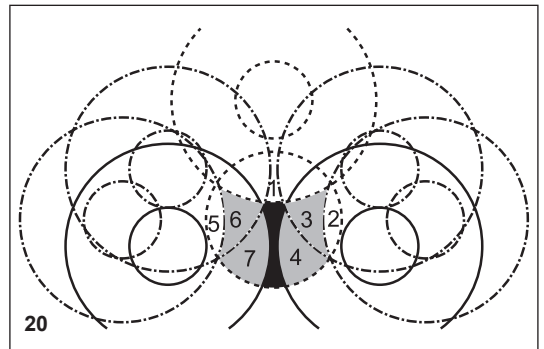
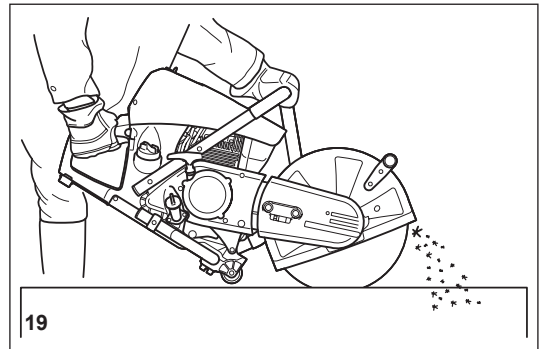
## Découpe de pierre et de béton

### IMPORTANT !

Portez toujours un équipement de protection respiratoire certifié !  
L'amiante et les autres matériaux dégagant des substances toxiques ne peuvent être coupés qu'après notification aux autorités compétentes et sous leur supervision ou celle d'une personne nommée par celles-ci. Lors de la découpe de piles de béton précontraint et armé, respectez les instructions et normes des autorités responsables ou du constructeur de l'élément structural. Les tiges de renfort doivent être découpées dans l'ordre indiqué et conformément aux règlements de sécurité en vigueur.

### REMARQUE :

Le mortier, la pierre et le béton produisent de grandes quantités de poussières pendant la coupe. Pour prolonger la durée de vie du disque de coupe (par refroidissement), améliorer la visibilité et éviter la production excessive de poussière, il est fortement conseillé d'effectuer les coupes au mouillé plutôt qu'à sec.



Lors des coupes au mouillé, un mince filet d'eau est appliqué de chaque côté du disque. MAKITA propose les accessoires adaptés à toutes les applications de coupe au mouillé (voir également « ACCESSOIRES SPÉCIAUX »).

- Retirez les corps étrangers, tels que le sable, les pierres et les clous découverts dans la zone de travail. **ATTENTION : Prenez garde des fils et câbles électriques !**

À vitesse élevée, la rotation rapide du disque de coupe au point de contact entraîne la projection de fragments depuis la rainure de la coupe. Pour votre sécurité, balancez le capot de protection vers le bas, le plus loin possible derrière la coupe (23), de sorte que les fragments de matériau soient projetés vers l'avant, loin de vous.

- Marquez la coupe, puis faites une rainure d'environ 5 mm le long de toute la longueur de la coupe prévue. Cette rainure guidera ensuite précisément la découpeuse thermique pendant la coupe réelle.

#### REMARQUE :

Pour effectuer de longues coupes droites, nous vous conseillons d'utiliser un chariot (24, voir également « ACCESSOIRES SPÉCIAUX »). Cela facilite considérablement le guidage de l'appareil en ligne droite.

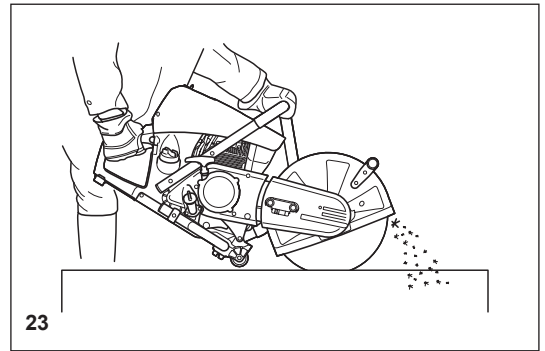
- Effectuez la coupe selon mouvement de va-et-vient constant.
- Lors de la découpe de bandes métalliques de taille spécifique, il est inutile de découper sur toute l'épaisseur du matériau (et ainsi de produire de la poussière inutile). Réalisez plutôt une encoche peu profonde, puis faites tomber proprement l'excédent de matériau sur une surface plane (25).

#### ATTENTION !

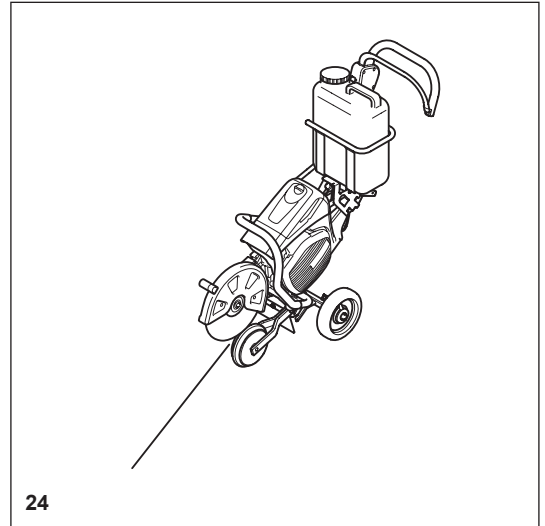
Lors de la découpe en longueur, à travers du matériau, en réalisant des découpes, etc., veillez à toujours prévoir le sens et l'ordre de réalisation des découpes, de sorte que le disque ne soit pas bloqué par la pièce découpée et que personne ne soit blessé par les morceaux qui tombent.

#### Transport et rangement

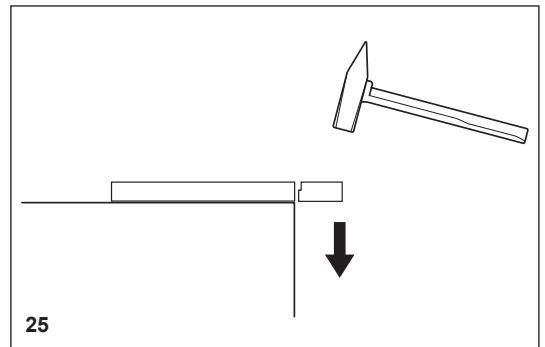
- **Mettez toujours la découpeuse thermique hors tension lors de son transport ou son transfert d'un lieu à un autre sur un site (26).**
- **Ne transportez pas et ne déplacez pas l'appareil lorsque le moteur est en marche ou lorsque le disque tourne !**
- Portez l'appareil uniquement par la poignée tubulaire (au centre) en plaçant le disque de coupe afin qu'il soit dirigé derrière vous (26). Évitez de toucher le silencieux d'échappement (risque de brûlure !)
- Lors du déplacement de la découpeuse thermique sur de longues distances, utilisez une brouette ou un chariot.
- Lors du transport de la découpeuse thermique dans un véhicule, veillez à ce qu'elle soit correctement positionnée, afin que le carburant ne puisse pas s'échapper. Retirez toujours le disque de coupe avant de transporter l'appareil dans un véhicule.
- Rangez la découpeuse thermique en lieu sûr, dans un endroit sec. Elle ne doit pas être laissée à l'extérieur ! Démontez toujours le disque de coupe avant de ranger l'outil. Conservez la découpeuse thermique hors de portée des enfants.
- **Avant de ranger la découpeuse thermique pendant une période prolongée et avant de l'expédier, respectez les instructions indiquées au chapitre « Entreposage ». Videz TOUJOURS le réservoir de carburant et faites tourner le carburateur lorsqu'il est sec.**
- Lors du rangement des disques de coupe, veillez à :
  - Bien les nettoyer et les sécher.
  - Les poser à plat.
  - Éviter l'humidité, les températures de congélation, le soleil direct, les températures élevées et les variations de température, car celles-ci peuvent entraîner la fracture et l'écaillage de l'outil.
- **Examinez toujours les disques de coupe neufs ou les disques de coupe stockés pendant une longue période afin de vous assurer qu'ils ne sont pas défectueux.**



23



24



25



26

## Maintenance

- **Avant de procéder aux travaux de maintenance, éteignez la découpeuse thermique (27) et retirez le capuchon du bouchon.**
- Examinez toujours la découpeuse thermique avant de l'utiliser pour vous assurer qu'elle est en bon état de fonctionnement. En particulier, assurez-vous que le disque de coupe est installé correctement. Vérifiez que la meule n'est pas endommagée et qu'elle est adaptée au travail pour lequel elle sera utilisée.
- Ne faites fonctionner la découpeuse thermique qu'à un faible niveau de bruit et d'émission.

Pour ce faire, assurez-vous que le carburateur est bien réglé.

- Nettoyez régulièrement la découpeuse thermique.
- Vérifiez régulièrement que le bouchon du réservoir de carburant est bien fermé.

**Respectez les consignes de prévention des accidents publiées par les associations commerciales et les compagnies d'assurance. NE modifiez JAMAIS d'aucune façon la découpeuse thermique ! Vous mettriez votre sécurité en danger !**

Effectuez uniquement les travaux d'entretien et de réparation décrits dans le présent mode d'emploi. Toute autre tâche doit être effectuée par le service d'entretien MAKITA (28).

Utilisez uniquement des pièces de rechange et des accessoires MAKITA d'origine.

L'utilisation de pièces de rechange, d'accessoires ou de disques de coupe non MAKITA augmente le risque d'accident. Nous n'assumons aucune responsabilité pour les accidents ou dommages résultant de l'utilisation de disques de coupe ou d'accessoires d'une marque autre que MAKITA.



27



ENTRETIEN

28

## Premiers secours (29)

Assurez-vous de toujours disposer d'un kit de premier secours à proximité immédiate. Remplacez immédiatement tout article utilisé dans la boîte de premiers secours.

**Lorsque vous demandez de l'aide, fournissez les renseignements suivants :**

- Lieu de l'accident
- Que s'est-il passé ?
- Nombre de personnes blessées
- Types de blessures
- Votre nom !

### REMARQUE :

Les personnes souffrant de troubles circulatoires peuvent subir des blessures au niveau des vaisseaux sanguins ou du système nerveux si elles sont exposées à des vibrations excessives.

Les vibrations peuvent entraîner les symptômes suivants aux doigts, mains ou poignets : engourdissement, picotements, douleur, sensation lancinante, changement de couleur de la peau ou altération de la peau.

**Si l'un ou l'autre de ces symptômes apparaît, consultez un médecin !**



29

## Caractéristiques techniques

Élément		Modèle	EK7650H		EK7651H	
Moteur	Déplacement	cm <sup>3</sup>	75,6			
	Alésage	mm	51			
	Course	mm	37			
	Puissance max.	kW	3,0			
	Couple max.	Nm	4,6			
	Ralenti	min <sup>-1</sup>	2 600			
	Embrayage		Système auto centrifuge			
	Vitesse maximale du moteur	min <sup>-1</sup>	9 100			
	Vitesse max. de l'axe	min <sup>-1</sup>	4 300			
	Carburateur		Type de diaphragme			
	Système d'allumage (avec limitation de vitesse)		Sans contact de type aimant			
	Bougie d'allumage	Type	NGK CMR6H			
	Distance entre les électrodes	mm	0,5			
	Système de démarrage		Système de rappel			
	Consommation de carburant en charge max. selon la norme ISO 8893	kg/h	1,2			
	Consommation spécifique en charge max. selon la norme ISO 8893	g/kWh	400			
	Carburant		Essence automobile			
	Capacité du réservoir de carburant	l	1,1			
	Lubrifiant (huile moteur)		Huile grade API catégorie SF ou supérieure SAE 10W-30 (huile moteur pour automobiles 4 temps)			
Quantité de lubrifiant	l	0,22				
Disque de coupe pour 80 m/sec. ou plus <sup>1)</sup> (approuvé DSA) : dimensions	mm	300 / 20 / 5 <sup>2)</sup>	300 / 25,4 / 5 <sup>2)</sup>	350 / 20 / 5 <sup>2)</sup>	350 / 25,4 / 5 <sup>2)</sup>	
Niveau de pression sonore (L <sub>pA</sub> ) selon la norme EN ISO 19432 <sup>3)</sup>	dB (A)	92,7				
Incertitude (K)	dB (A)	2,5				
Niveau de puissance sonore (L <sub>WA</sub> ) selon la norme EN ISO 19432	dB (A)	104,6				
Incertitude (K)	dB (A)	2,5				
Accélération vibratoire a <sub>h,w</sub> selon la norme EN ISO 19432						
- Poignée avant (ralenti/vitesse nominale de l'axe)	m/s <sup>2</sup>	2,7				
Incertitude (K)	m/s <sup>2</sup>	2,0				
- Poignée arrière (ralenti/vitesse nominale de l'axe)	m/s <sup>2</sup>	1,8				
Incertitude (K)	m/s <sup>2</sup>	2,0				
Diamètre de l'alésage	mm	20,0	25,4	20,0	25,4	
Diamètre de l'axe	mm	17		17 ou 25,4 <sup>4)</sup>		
Diamètre extérieur minimum du flasque	mm	102				
Profondeur de coupe max.	mm	97		122		
Dimensions de la découpeuse thermique (longueur totale x largeur totale x hauteur totale)		761 mm x 310 mm x 435 mm		780 mm x 310 mm x 455 mm		
N° de la courroie trapézoïdale	N°	225094-6				
Poids total (réservoirs vides, sans disque de coupe)	kg	12,7		12,9		

1) Vitesse de circonférence à la vitesse de rotation max. du moteur

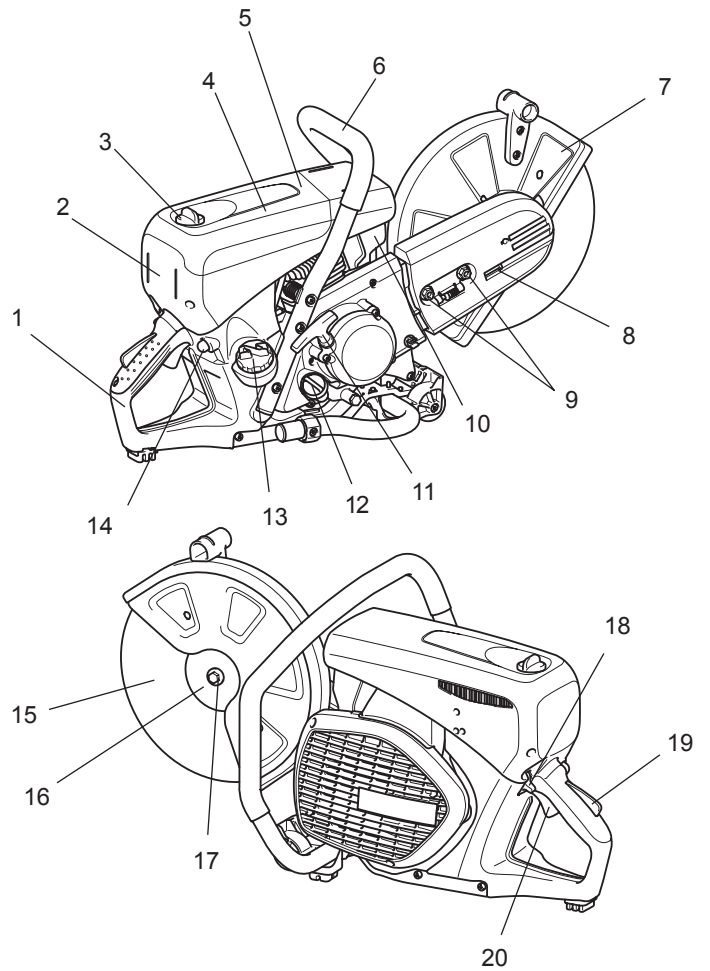
2) Diamètre extérieur / orifice de l'alésage / épaisseur

3) Sur le lieu de travail (à l'oreille de l'utilisateur)

4) Propre à chaque pays

## Désignation des pièces

1. Poignée arrière
2. Couvercle du filtre
3. Vis de blocage
4. Couvercle supérieur pour le filtre à air et le protecteur de bougie
5. Couvercle supérieur
6. Poignée avant
7. Capot de protection
8. Vis de tension
9. Écrou hexagonal
10. Silencieux
11. Poignée du démarreur
12. Bouchon du réservoir d'huile
13. Bouchon du réservoir de carburant
14. Pompe à carburant (amorce)
15. Disque de coupe
16. Flasque extérieur
17. Boulon hexagonal
18. Interrupteur
19. Bouton de verrouillage de sécurité
20. Levier d'accélération







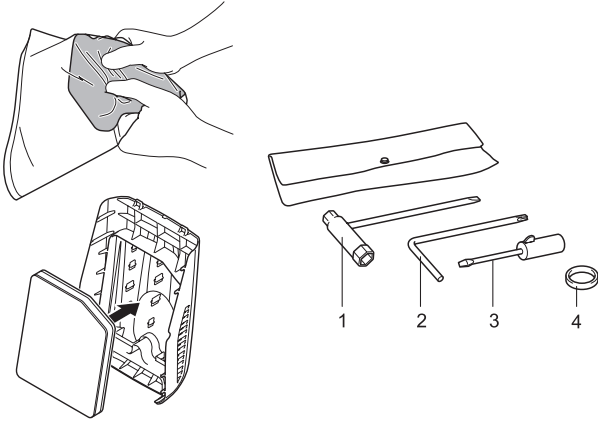
## MISE EN MARCHÉ

### ⚠ ATTENTION :

Coupez toujours le moteur et retirez le protecteur de bougie avant d'intervenir sur la découpeuse thermique ! Portez toujours des gants de protection !

### ⚠ ATTENTION :

Ne démarrez la découpeuse thermique qu'après avoir procédé à son montage et son examen complets.



Pour les tâches suivantes, utilisez les outils fournis avec l'appareil :

1. Clé mixte 13/16 AF
2. Clé en étoile
3. Tournevis de réglage du carburateur
4. Bague pour douille

Placez la découpeuse thermique sur une surface stable et effectuez les étapes de montage suivantes :

### ⚠ Aucun filtre à air n'est installé !

Avant utilisation, pressez plusieurs fois sur le filtre fourni de sorte que l'huile soit répartie de manière homogène dans l'ensemble du filtre. Insérez un filtre en mousse graissé (pré-filtre), comme présenté sur l'illustration adjacente. Pour ce faire, retirez le couvercle du filtre (voir le chapitre relatif au Nettoyage/remplacement du filtre à air).

## Montage du disque de coupe

### ⚠ AVERTISSEMENT :

- Lors de l'installation d'un disque de coupe diamant, veillez à le monter de sorte que la flèche se trouve dans le même sens de rotation que le flasque extérieur (6). Si vous installez le disque de coupe diamant (4) en orientant sa flèche dans le sens opposé à celle du couvre-roue, vous risquez de provoquer l'écaillage du rebord du disque et des blessures corporelles.
- Lors de l'installation d'un disque de coupe (4), utilisez toujours la bague correspondant à l'alésage du disque de coupe et au diamètre de l'axe (5). Le fait de ne pas utiliser de bagues adéquates risque provoquer des vibrations de l'outil et d'entraîner des blessures corporelles graves.
- Utilisez uniquement des disques de coupe dont l'alésage correspond au diamètre de la/des bague(s) fournie(s). L'utilisation de disques non adaptés peut provoquer des vibrations de l'outil et entraîner des blessures corporelles graves.
- Examinez le disque de coupe pour vous assurer qu'il n'est pas endommagé. (voir la section intitulée « Disques de coupe » dans PRÉCAUTIONS DE SÉCURITÉ.)

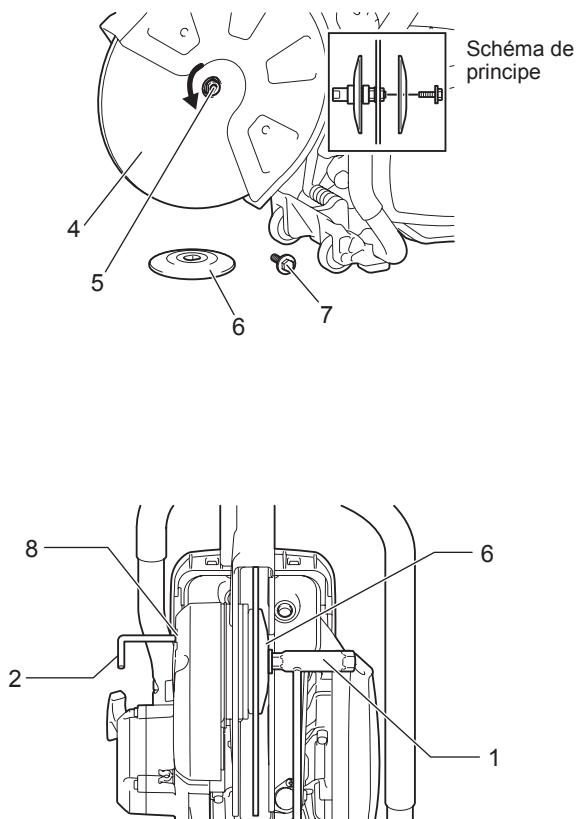
1. Insérez la clé en étoile (2) dans l'orifice (8) pour empêcher l'axe (5) de tourner.

**REMARQUE :** Si le support du dispositif d'eau sous pression est installé dans l'orifice de l'outil, retirez-le avant de monter le disque de coupe.

2. Tout en tenant la clé (2) dans cette position, utilisez la clé mixte (1) fournie et tournez le boulon (7) de fixation du disque dans le sens antihoraire, puis retirez le boulon (7) et le flasque extérieur (6).
3. Placez un disque de coupe diamant/disque abrasif (4) sur l'alésage (5). Posez ensuite le flasque extérieur (6) sur l'axe, de sorte que les deux surfaces parallèles plates sur le flasque extérieur s'adaptent sur la surface plate de l'axe. Serrez enfin fermement le boulon dans le sens horaire.

Pour installer un disque de coupe, placez une bague de diamètre identique à celui de l'alésage du disque et au joint torique fourni afin de maintenir la bague sur l'axe avant d'installer un disque de coupe diamant. Installez ensuite le disque de coupe.

**REMARQUE :** Serrez fermement le boulon hexagonal (25 - 31 Nm) pour éviter que la meule glisse pendant la coupe.





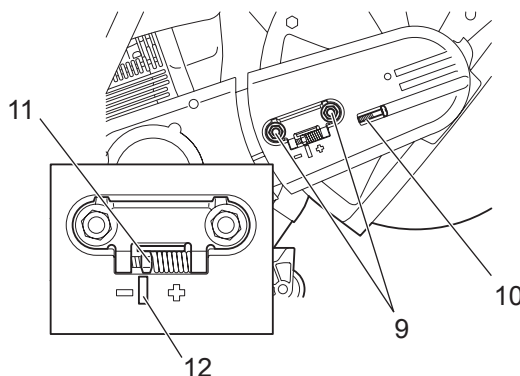
## Serrage de la courroie trapézoïdale / Vérification de la tension de la courroie trapézoïdale

### IMPORTANT :

Il est essentiel que la tension de la courroie trapézoïdale soit correcte pour permettre des performances de coupe maximales et une consommation de carburant minimale. Une tension incorrecte de la courroie trapézoïdale entraînerait une usure prématurée de celle-ci ainsi que de sa roue ou bien l'endommagement du roulement d'embrayage.



**REMARQUE :** Desserrez les deux écrous hexagonaux (9) avant de serrer la courroie trapézoïdale ou de vérifier sa tension. Pour augmenter la tension de la courroie, tournez la vis de tension (10) vers la droite (dans le sens horaire) à l'aide de la clé mixte fournie avec la découpeuse thermique. Pour savoir si la tension de la courroie est correctement réglée, vérifiez que l'écrou (11) se trouve à l'emplacement indiqué sur la figure par rapport au repère (12).



### IMPORTANT :

- Après avoir procédé au serrage/à l'examen, n'oubliez pas de serrer l'écrou hexagonal (9) (25 - 31 Nm).
- Ne procédez pas au réglage de la tension de la courroie lorsque l'appareil est chaud. Il y a risque de brûlure.

## Avant utilisation

### 1. Examen/remplissage du niveau d'huile

- Lorsque le moteur est froid, vérifiez/remplissez l'huile moteur selon la procédure suivante :
  - Placez le moteur sur une surface plane et vérifiez si l'huile se trouve entre les repères MAX et MIN du réservoir d'huile.
  - En cas de niveau d'huile insuffisant (près du repère MIN du réservoir d'huile), remplissez le réservoir d'huile jusqu'au repère MAX.
  - Vous pouvez vérifier la quantité d'huile à l'extérieur sans retirer le bouchon d'huile, car le niveau d'huile peut être observé dans la fenêtre du repère de mesure externe transparente.
  - À titre de référence, l'huile doit être remplie toutes les dix heures de fonctionnement (un réservoir d'huile pour dix remplissage d'essence).
  - Remplacez l'huile extrêmement sale ou décolorée.
- <Huile recommandée> ... Utilisez de l'huile grade API catégorie SF ou supérieure SAE 10W-30 (huile moteur pour automobiles 4 temps)
- <Quantité d'huile> ..... 0,22 l (220 ml)

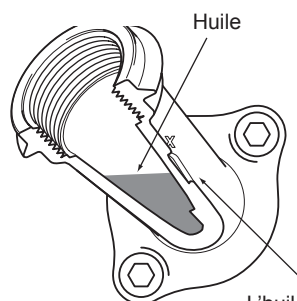
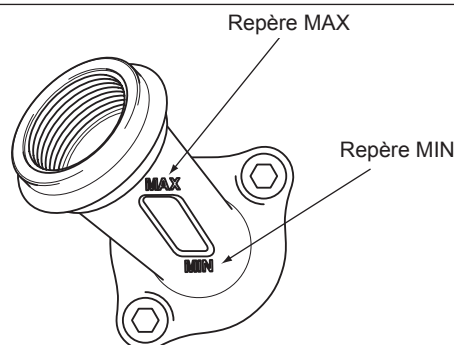
### REMARQUE :

- Si le moteur n'est pas rangé en position verticale, l'huile s'écoulera à l'intérieur, ce qui entraînera un excédent d'huile dans la découpeuse thermique au moment du ravitaillement.
- Si l'huile dépasse le repère MAX, elle risque de fuir, provoquant des saletés et de la fumée blanche.

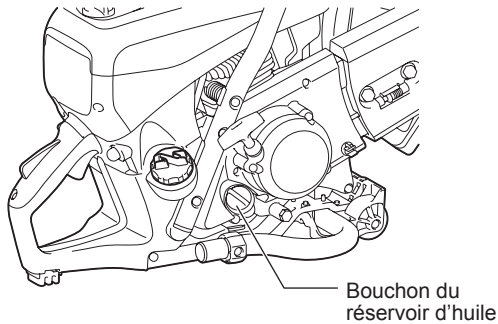
### Remplacement d'huile, point 1 <Bouchon d'huile>

Intervalle de remplacement : Au départ, après 20 heures de fonctionnement et ensuite toutes les 30 heures de fonctionnement.

- Nettoyez la saleté présente autour du goulot de remplissage d'huile, puis retirez le bouchon d'huile.
- Placez le bouchon d'huile sur une surface où il ne risquera pas de recevoir de saleté ni de poussière. Si vous remettez le bouchon d'huile en place alors qu'il est sale, la circulation d'huile sera altérée, ce qui entraînera l'usure des pièces moteur, puis une défaillance mécanique.



L'huile est visible à partir de ce point, donc vous devez utiliser les repères MAX et MIN pour vérifier la quantité d'huile.



- (1) Placez le moteur sur une surface plane et retirez le bouchon d'huile.
- (2) Remplissez le réservoir d'huile jusqu'à la base du goulot de remplissage.  
Lors du remplissage d'huile, utilisez un récipient approprié pour le remplissage du lubrifiant.
- (3) Serrez bien le bouchon d'huile. Si le bouchon est mal desserré, l'huile fuira.

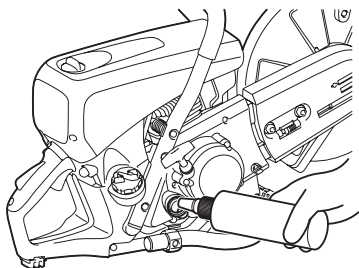
**Remplacement d'huile, point 2 <Que faire en cas de déversement d'huile>**

En cas de déversement d'huile entre le réservoir de carburant et le moteur, et si la découpeuse thermique est mise en route, l'huile sera aspirée par la prise d'air froid, provoquant des saletés. Essayez toujours l'huile déversée avant d'utiliser la découpeuse thermique.

**2. Ravitaillement en carburant**

**⚠ AVERTISSEMENT :**

- **Respectez toujours les points suivants lors du ravitaillement en carburant. Le non-respect des instructions suivantes peut entraîner des flammes ou un incendie.**
  - Éloignez-vous toujours des flammes lors du ravitaillement. De plus, ne fumez pas et n'approchez pas de flamme près du carburant ou de la découpeuse thermique pendant le ravitaillement.
  - Coupez le moteur et laissez-le refroidir avant de procéder au ravitaillement.
  - Ouvrez toujours le bouchon du réservoir de carburant lentement afin de libérer la pression interne de manière contrôlée. Le non-respect de cette consigne peut entraîner la pulvérisation du carburant en raison de la pression interne.
  - Veillez à ne pas renverser de carburant. En cas de déversement de carburant, essuyez-le parfaitement.
  - Procédez au ravitaillement dans un lieu bien ventilé.
- **Manipulez toujours le carburant avec une extrême prudence.**
  - Si le carburant entre en contact avec la peau et/ou les yeux, il risque de provoquer une réaction allergique et/ou une inflammation.  
En cas de réaction allergique, d'inflammation, etc., consultez immédiatement un médecin.



**<Durée de stockage du carburant>**

En règle générale, le carburant conservé dans un récipient adapté, dans un lieu abrité de la lumière et bien ventilé doit être utilisé dans les quatre semaines. En cas d'utilisation d'un récipient non adapté et/ou de retrait du bouchon, etc., en été, le carburant peut se dégrader en une journée.

**Entreposage de la découpeuse thermique et du récipient de carburant**

- Entrez la découpeuse thermique et le récipient de carburant à l'abri des rayons directs du soleil et dans endroit frais.
- Ne laissez pas la découpeuse thermique ou le récipient de carburant remplis dans une automobile ou le coffre de celle-ci.

**<Carburant>**

La découpeuse thermique est équipée d'un moteur quatre temps donc vous devez utiliser de l'essence automobile pour la faire fonctionner.

**Points relatifs au carburant**

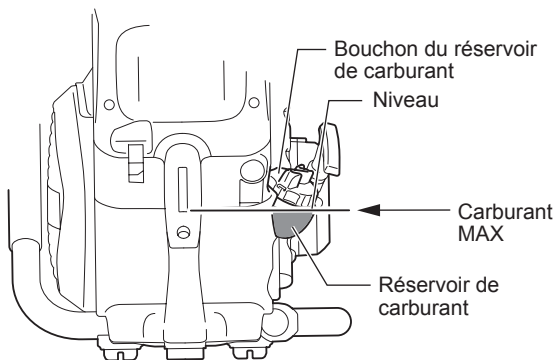
- N'utilisez pas de mélange de carburant (huile moteur mélangée à de l'essence). Vous risqueriez de provoquer le calaminage de l'outil et une défaillance mécanique.
- L'utilisation de carburant ancien peut entraîner un démarrage difficile du moteur.

**<Ravitaillement en carburant>**

Coupez toujours le moteur et laissez-le refroidir avant de procéder au ravitaillement.

**<Essence utilisable> ..... Essence automobile**

- Desserrez légèrement le bouchon du réservoir de carburant pour libérer la pression et ainsi équilibrer la pression d'air interne et la pression externe.
- Retirez le bouchon du réservoir de carburant et procédez au ravitaillement. (Ne remplissez pas le réservoir jusqu'au goulot.)
- Après avoir procédé au ravitaillement, serrez le bouchon du réservoir de carburant.
- Le bouchon du réservoir de carburant est un produit consommable. Par conséquent, remplacez-le s'il présente des signes d'usure ou d'autres anomalies. (Il est généralement conseillé de le remplacer tous les deux ou trois ans.)



## Fonctionnement

### Démarrage

#### ⚠ AVERTISSEMENT :

Ne démarrez pas le moteur à l'endroit où vous avez effectué le ravitaillement en carburant. Éloignez-vous de trois mètres au moins du lieu de ravitaillement de la découpeuse thermique.

- Le non-respect de cette consigne peut provoquer des flammes ou un incendie.

#### ⚠ ATTENTION :

Avant de démarrer le moteur, n'oubliez pas de vérifier que le disque de coupe ne touche pas le sol ou un autre obstacle.

- La mise en contact du disque de coupe avec le sol ou un autre obstacle peut entraîner un accident.

Dès le démarrage du moteur, le disque de coupe se met à tourner. Vous devez donc faire très attention aux personnes et aux obstacles qui se trouvent à proximité.

#### 1. Démarrage à froid

- (1) Appuyez plusieurs fois sur la pompe d'amorçage jusqu'à ce que le carburant pénètre à l'intérieur.
- (2) Tournez le commutateur dans le sens de ↘ (étrangleur).
- (3) Appuyez sur la poignée arrière avec un pied et maintenez fermement la poignée tubulaire vers le bas avec une main.
- (4) Tirez plusieurs fois et avec énergie sur la poignée de démarrage jusqu'à ce que vous entendiez un bruit d'allumage.

#### Réchauffement

- Dès que le moteur démarre, maintenez le levier de sécurité abaissé, puis appuyez et relâchez l'accélérateur plusieurs fois pendant une ou deux minutes pour réchauffer le moteur.
- Une fois que la vitesse du moteur est stable et qu'il passe sans à-coups du ralenti à une vitesse élevée, le réchauffement est terminé.

#### 2. Démarrage avec un moteur chaud

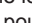
Appuyez plusieurs fois sur la pompe d'amorçage. Placez tout d'abord l'interrupteur en position [I] (fonctionnement) et démarrez le moteur conformément à l'étape (3) de la procédure 1 ci-dessus.

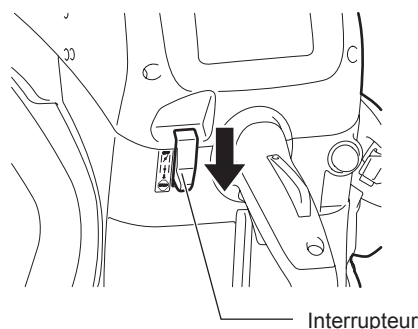
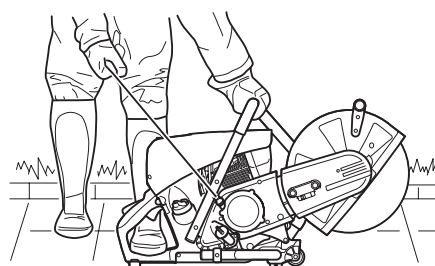
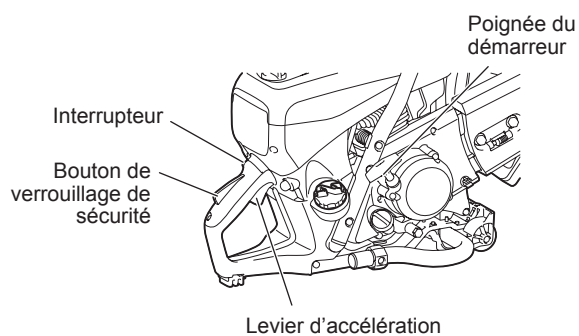
#### REMARQUE :

- Si vous tirez et relâchez plusieurs fois la poignée du démarreur en plaçant l'interrupteur sur l'étrangleur, le moteur sera noyé de carburant, rendant le démarrage difficile.
- À l'arrêt du moteur, n'appuyez jamais sur le levier d'accélération. Si vous appuyez inutilement sur le levier d'accélération alors que le moteur est arrêté, le moteur sera noyé de carburant, rendant le démarrage difficile.
- Si le moteur est noyé par le carburant, retirez la bougie d'allumage et tirez lentement et à plusieurs reprises sur la poignée de démarrage pour retirer l'excédent de carburant. Séchez également l'électrode de la bougie.
- Ne déroulez pas toute la corde lorsque vous tirez sur la poignée de démarrage, au risque de réduire la durée de vie de la corde. Remplacez également doucement la poignée de démarrage sans la relâcher brusquement.
- Évitez de laisser la découpeuse thermique tourner à vitesse maximale du ralenti, au risque de réduire la durée de vie du moteur.

#### 3. Arrêt

Pour arrêter le moteur, relâchez l'accélérateur et placez l'interrupteur en position  (arrêt).

Si le levier d'étrangleur n'est pas correctement placé en position  pour arrêter l'outil, accélérez moyennement pour redémarrer.



## Réglage du carburateur

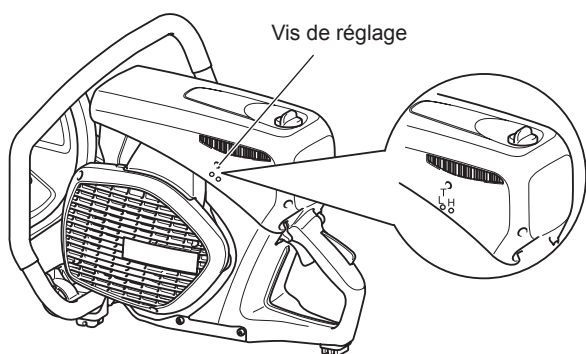
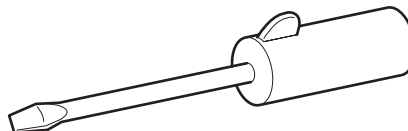


**REMARQUE :** Le moteur est équipé d'un allumage électronique afin de limiter la vitesse. Le carburateur comporte également un gicleur fixe qui ne peut pas être réglé.

En usine, la vitesse du ralenti a été réglée sur 2 600 min<sup>-1</sup>, mais le processus de rodage d'un moteur neuf peut nécessiter un léger réajustement de la vitesse du ralenti.

Réglez la vitesse du ralenti à l'aide d'un tournevis (largeur de la lame : 4 mm).

Il est conseillé d'utiliser un tournevis muni d'un ergot moulé et fourni en option pour le réglage.



### 4. Réglage du ralenti

**ATTENTION :** Le réglage du carburateur ne peut être effectué que par un centre d'entretien MAKITA spécialisé ! N'effectuez aucun ajustement des vis de réglage (H) et (L) sans tachymètre ! Un mauvais réglage pourrait endommager le moteur !

Il est nécessaire d'utiliser un tachymètre pour procéder à l'ajustement des vis de réglage (H) et (L), car si le moteur fonctionne à plein régime, il risque de chauffer et de manquer de lubrifiant. Cela risque d'endommager le moteur !

Seule la vis de réglage (T) peut être manipulée par l'utilisateur. Si le disque de coupe fonctionne au ralenti (c'est-à-dire sans que l'accélérateur soit actionné), il est impératif de corriger la vitesse du ralenti !

**Le réglage du ralenti ne doit être effectué que lorsque le moteur est chaud et le filtre à air propre.**

Utilisez un tournevis (lame de 4 mm) spécialement conçu pour le réglage du ralenti.

## ENTRETIEN

**ATTENTION :**

- Avant d'intervenir de quelque manière que ce soit sur la découpeuse thermique coupez le moteur et laissez-le refroidir, retirez le disque de coupe, retirez le protecteur de la bougie et portez des gants de protection !

Si vous procédez à l'entretien immédiatement après avoir coupé le moteur ou sans avoir retiré le protecteur de la bougie, vous risquez de vous brûler en raison du moteur chaud ou de vous blesser suite à un démarrage accidentel.

- Ne démarrez la découpeuse thermique qu'après avoir procédé à son montage et son examen complets.
- N'utilisez jamais d'essence, de benzine, de diluant, d'alcool ou de produit similaire. Ces produits risquent de provoquer des décolorations, des déformations ou des fissures.

**REMARQUE :**

- Essuyez la saleté présente sur la découpeuse thermique, puis choisissez un lieu de travail propre pour y effectuer l'entretien.





## ENTRETIEN

### IMPORTANT :

De nombreuses pièces et ensembles non mentionnés dans le présent mode d'emploi sont fondamentaux pour la sécurité de l'appareil et comme toutes les pièces sont soumises à une certaine usure, il est important pour votre sécurité que vous fassiez réviser et entretenir régulièrement l'appareil par un centre d'entretien MAKITA.

### IMPORTANT :



En cas de rupture de la meule pendant la coupe, faites réparer la découpeuse thermique dans un centre d'entretien MAKITA avant de l'utiliser à nouveau !

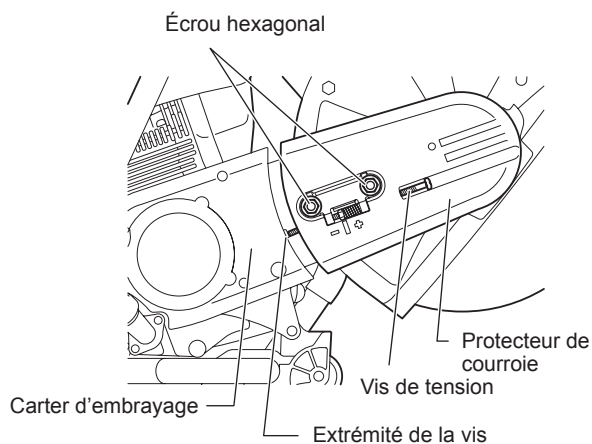
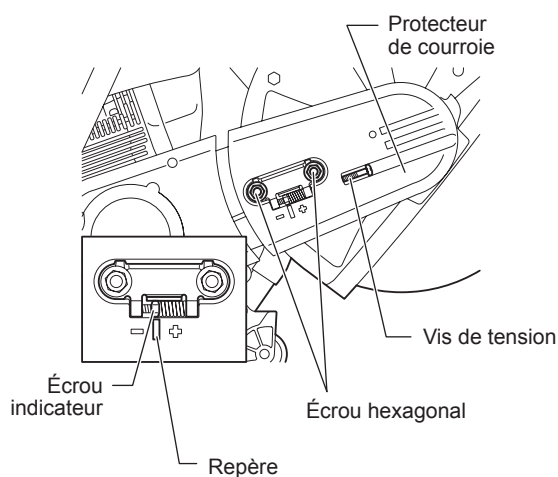
### Courroie trapézoïdale

#### 1. Réglage de la courroie trapézoïdale

- Si le disque de coupe s'arrête facilement au milieu de l'opération, la courroie trapézoïdale est détendue. Dans ce cas, réglez la tension en procédant comme suit :
- (1) Desserrez les écrous de serrage du protecteur de courroie.
- (2) Tournez la vis de réglage de tension vers la droite (dans le sens horaire) jusqu'à ce que l'écrou indicateur atteigne la position indiquée, afin d'augmenter la tension de la courroie trapézoïdale.
- (3) Après avoir tendu la courroie trapézoïdale, resserrez à fond les écrous de serrage du protecteur de courroie.
- Si le disque de coupe s'arrête facilement alors que la tension de la courroie trapézoïdale a été ajustée, ou si la courroie trapézoïdale se rompt, remplacez-la par une courroie trapézoïdale neuve.

#### 2. Remplacement de la courroie trapézoïdale

- (1) Desserrez l'écrou de serrage et tournez la vis de réglage de la tension vers la gauche jusqu'à ce que l'extrémité de la vis soit visible.
- (2) Retirez les écrous de serrage, puis le protecteur de courroie.
- (3) Ensuite, retirez les trois vis de montage, puis le carter d'embrayage.
- (4) Retirez l'ancienne courroie trapézoïdale et installez la courroie trapézoïdale neuve. Remontez ensuite le carter d'embrayage, puis le protecteur de courroie.
- (5) Réglez la tension, comme illustré dans la section Réglage de la courroie trapézoïdale.

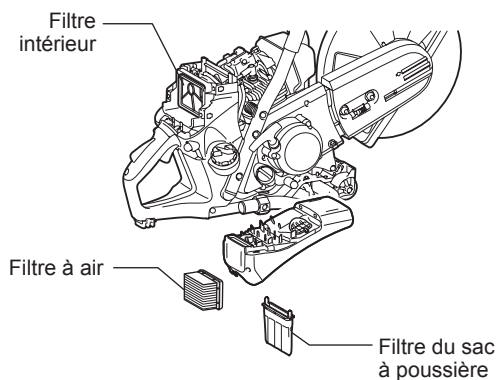
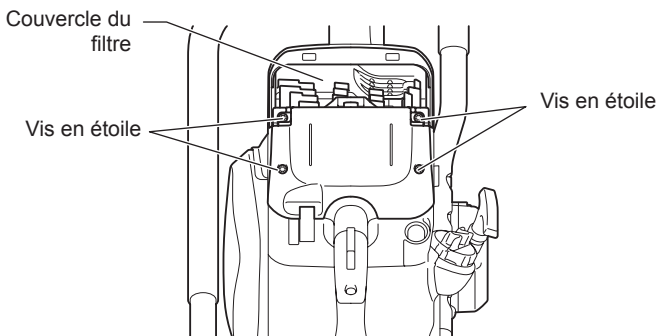
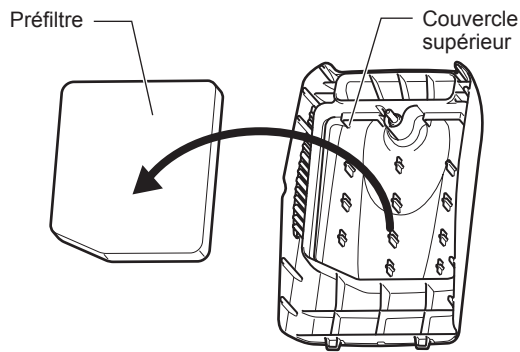
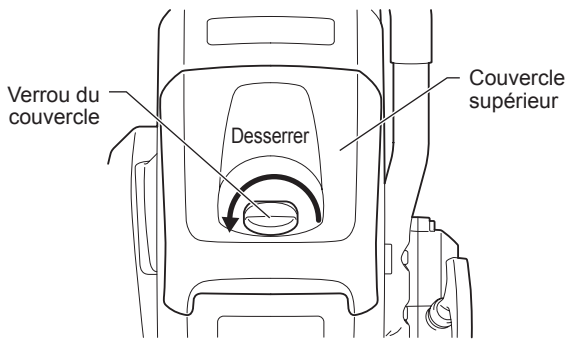


### Nettoyage du capot de protection

Avec le temps, l'intérieur du capot de protection peut être incrusté de résidus de matériau (résultant en particulier des coupes au mouillé) qui, s'ils ne sont pas retirés, risquent de gêner la rotation du disque de coupe. C'est la raison pour laquelle le capot doit être nettoyé de temps à autre. Retirez la meule ainsi que la saleté qui s'est accumulée depuis l'intérieur du capot à l'aide d'une latte de bois ou d'un accessoire similaire. Nettoyez l'arbre et toutes les pièces démontées à l'aide d'un tissu.

**REMARQUE :** Avant d'installer la meule, consultez la section « Montage du disque de coupe ».





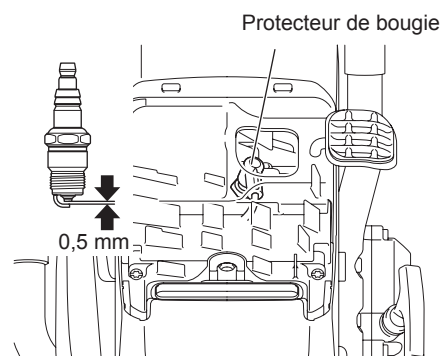
## Nettoyage/remplacement du filtre à air

- Si le filtre à air est bouché, les performances du moteur risquent d'être altérées. Par conséquent, après chaque utilisation de la découpeuse thermique, veillez à nettoyer le filtre à air comme suit.
- Tournez le verrou du couvercle vers la gauche et retirez-le.
- Déposez le couvercle supérieur après en avoir retiré la poussière.
- Ensuite, retirez le préfiltre.
- Retirez les quatre vis en étoile.
- Retirez le couvercle du filtre.
- Retirez le filtre à air.
- Retirez le filtre du sac à poussière du couvercle du filtre, puis tapotez et soufflez doucement dessus pour le nettoyer.
- Tapotez et soufflez doucement sur le filtre intérieur pour en retirer les saletés et la poussière. Lavez également régulièrement le filtre intérieur dans de l'eau savonneuse et séchez-le bien.
- Pour nettoyer le filtre à air, tapotez-le doucement. Si un compresseur d'air doit être utilisé, soufflez avec celui-ci à l'intérieur du filtre à air. Ne lavez pas le filtre à air.
- Soufflez sur la poussière qui se trouve autour des filtres.
- Une fois le nettoyage terminé, remontez le filtre à air sur le couvercle du filtre.
- Serrez à fond le verrou du couvercle.



## Entretien de la bougie

- (1) Desserrez le verrou du couvercle et retirez le couvercle supérieur.
- (2) Ouvrez le couvercle de la bougie, retirez le protecteur de bougie, puis la bougie.
- (3) Vérifiez que l'écartement des pointes d'électrode est de 0,5 mm. Si l'écartement est trop grand ou trop petit, réglez-le sur 0,5 mm.
- (4) Si de la calamine et/ou de la saleté s'est accumulé(e) sur la bougie, nettoyez-la, puis remontez-la. Toute bougie excessivement usée ou brûlée doit être remplacée par une bougie neuve.
- (5) Après avoir effectué l'entretien de la bougie, remontez-la, fixez le protecteur de bougie, puis le couvercle de la bougie.



## Remplacement de la tête d'aspiration

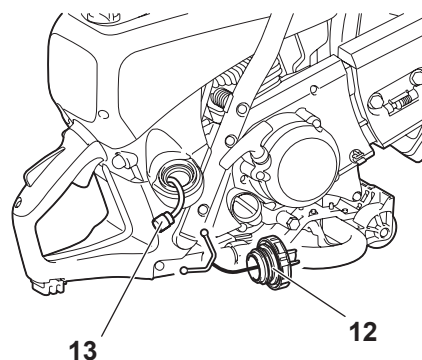
Le filtre du réservoir de carburant (13) de la tête d'aspiration peut se boucher. Il est recommandé de remplacer la tête d'aspiration tous les trois mois afin de garantir le débit fluide du carburant vers le carburateur.

Dévissez le bouchon du réservoir de carburant (12) et retirez la vis d'obturation.

Videz le réservoir de carburant.

Pour retirer la tête d'aspiration afin de la remplacer, sortez-la par le goulot du réservoir à l'aide d'un fil courbé à une extrémité pour former un crochet.

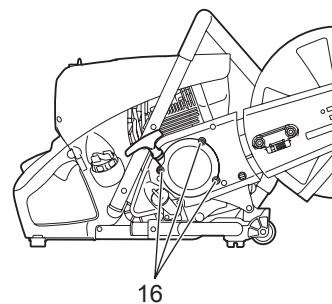
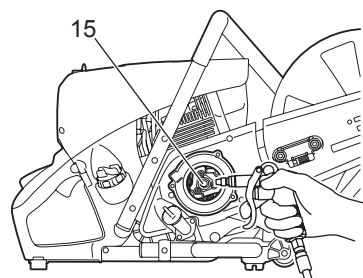
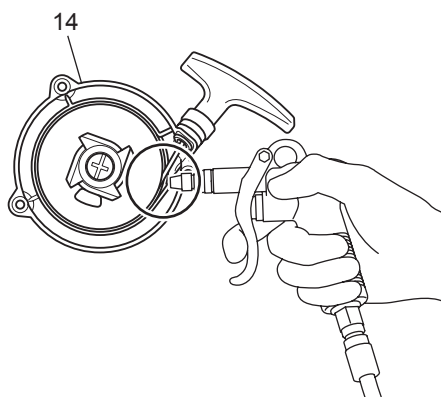
**⚠ ATTENTION :** Veillez à ce que le carburant n'entre pas en contact avec la peau !



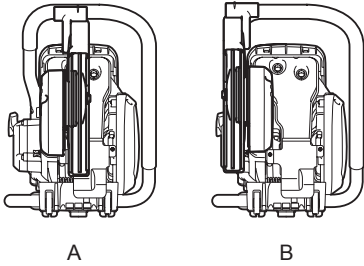


## Nettoyage du démarreur

Si le démarreur fonctionne mal, notamment lorsque sa corde ne revient pas en position initiale, il est nécessaire de dépoussiérer le démarreur (14) ainsi que l'embrayage (15). Pour accéder au démarreur et à l'embrayage afin de les nettoyer, retirez trois vis (16).



Sens de montage



## Changement de position de l'accessoire de coupe (centrale/latérale)

### Sens de montage du capot

- L'accessoire de coupe de la découpeuse thermique est installé dans le sens indiqué sur la Fig. A. Si vous le souhaitez, installez-le dans le sens indiqué sur la Fig. B en procédant comme suit.

### Installation dans le sens B

- (1) Desserrez l'écrou de serrage et tournez la vis de réglage de la tension vers la gauche jusqu'à ce que l'extrémité de la vis soit visible. (Fig. 1)
- (2) Retirez les écrous de serrage, puis le protecteur de courroie. (Fig. 1)
- (3) Faites pivoter le capot selon la position des pointillés. Retirez la courroie trapézoïdale puis l'accessoire de coupe de la découpeuse thermique. Remettez la poignée en place. (Fig. 2)
- (4) Saisissez l'arbre de verrouillage à l'aide d'un tournevis pour écrous à fentes ou d'une pince coupante. (Fig. 3)
- (5) Faites pivoter le bras jusqu'à ce qu'il entre en contact avec la poignée, puis remontez manuellement l'arbre de verrouillage en position d'origine. (Fig. 4)
- (6) Retournez l'accessoire de coupe que vous avez retiré, faites passer le boulon à travers l'orifice, puis remontez-le dans le sens B. Réinstallez la courroie trapézoïdale sur la poulie. (Fig. 6)
- (7) Installez le protecteur de courroie. (Fig. 7)

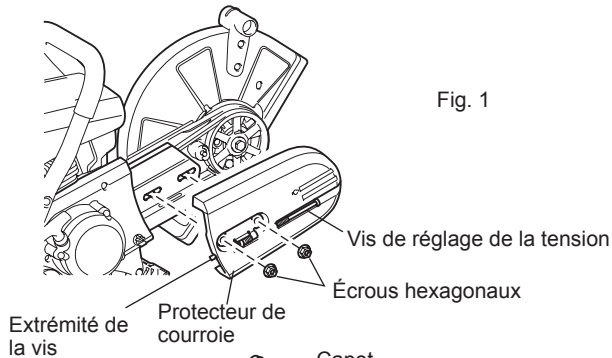


Fig. 1

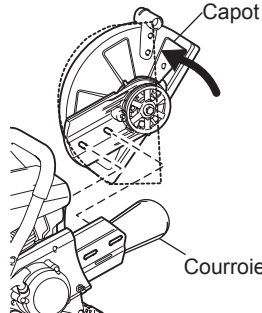


Fig. 2

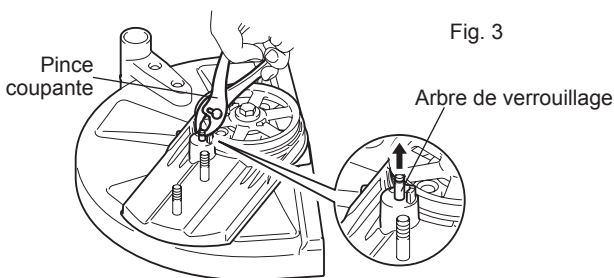


Fig. 3

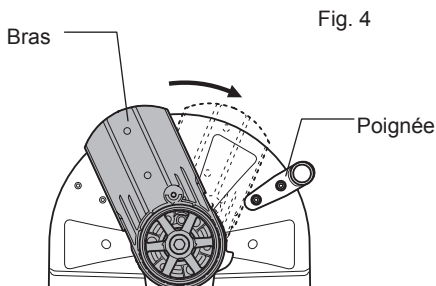


Fig. 4

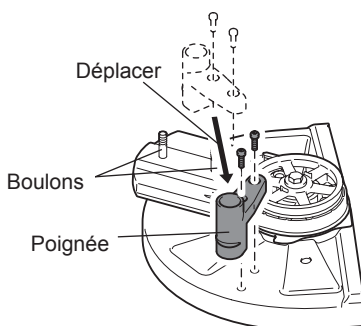


Fig. 5

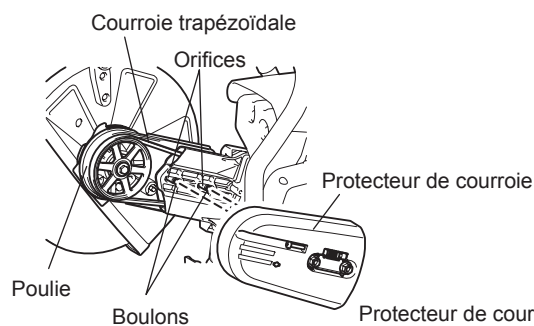


Fig. 6

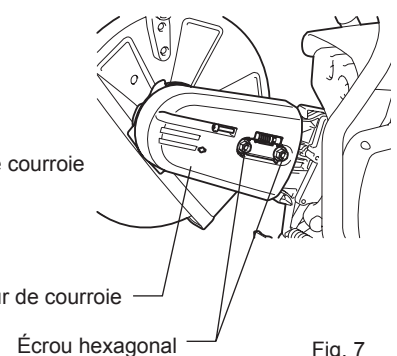


Fig. 7

## ACCESSOIRES SPÉCIAUX

### Disques de coupe diamant

Les disques de coupe diamant MAKITA répondent aux exigences les plus strictes en matière de sécurité professionnelle, facilité d'utilisation et performances de coupe économiques. Ils peuvent être utilisés pour découper tous les matériaux, **à l'exception du métal**.

La grande durabilité du grain de diamant garantit une faible usure et par conséquent une très longue durée de service, avec quasiment aucune modification du diamètre du disque pendant la durée de vie de celui-ci. Cela procure des performances de coupe constantes et par conséquent d'importantes économies. Les qualités exceptionnelles des disques facilitent la coupe.

Les disques d'entraînement métalliques permettent un fonctionnement très concentrique et des vibrations minimales.

L'utilisation de disques de coupe diamant réduit considérablement la durée de coupe.

À terme, cela permet de réduire les frais de fonctionnement (consommation de carburant, usure des pièces, réparations et enfin dégradation de l'environnement).

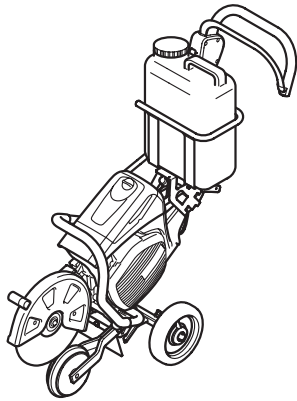
### Chariot de guidage

Le chariot de guidage MAKITA facilite considérablement la réalisation des coupes droites, tout en rendant la tâche moins difficile. Il peut être ajusté selon la taille de l'utilisateur et fonctionner avec l'accessoire de coupe monté au centre ou sur le côté.

Un limiteur de profondeur peut être ajouté pour faciliter encore la coupe et la rendre plus précise. Il permet de conserver une profondeur de coupe précise prédéfinie.

Pour repousser la poussière et faciliter le refroidissement du disque de coupe, MAKITA propose plusieurs options de mouillage du disque pendant son utilisation.

- Kit chariot  
Il est utile pour découper l'assiette de la route.
- Kit filtre  
Préfiltre (5 filtres)  
Filtre à air (1 filtre)  
Filtre du sac à poussière (1 filtre)



### Réservoir d'eau (composant du chariot)

Le réservoir d'eau doit être installé sur le chariot de guidage.

Sa grande capacité convient particulièrement aux situations nécessitant des changements de site fréquents. Pour remplir ou remplacer rapidement un réservoir par un réservoir de secours, il vous suffit de soulever le réservoir pour le sortir du chariot.

Le réservoir d'eau est fourni avec tous les raccords et flexibles nécessaires. L'installation sur le chariot et la découpeuse thermique est très rapide et simple.

### Réseau de distribution/dispositif d'eau sous pression

Le réseau de distribution/dispositif d'eau sous pression doit être monté sur la découpeuse thermique. Il peut être utilisé avec ou sans le chariot, mais il convient particulièrement aux applications impliquant une coupe manuelle stationnaire. La canalisation d'eau dispose d'une connexion pour libération rapide et peut être installée à partir d'une alimentation secteur ou d'un réservoir à pression (7). Le réseau d'alimentation en eau est fourni avec toutes les connexions et conduites requises. Il peut être monté rapidement et facilement sur la découpeuse thermique.

## Tableau d'entretien

Élément	Durée de fonctionnement	Avant utilisation	Après avoir fait le plein	Tous les jours (10 h)	20 h	30 h	50 h	200 h	Avant de ranger l'outil	P correspondante
Huile moteur	Inspecter/ nettoyer	○								40
	Remplacer					○*1				
Pièces de serrage (boulon, écrou)	Inspecter	○								—
Réservoir de carburant	Nettoyer/ inspecter	○								—
	Vidanger le carburant								○*3	35
Courroie trapézoïdale	Inspecter/ régler	○								44
Levier d'accélération	Vérifier le fonctionnement		○							—
Interrupteur stop	Vérifier le fonctionnement		○							42
Disque de coupe	Inspecter	○		○						32
Vitesse du ralenti	Inspecter/ régler			○						43
Filtre à air	Nettoyer						○			45
Filtre du sac à poussière	Nettoyer/ remplacer				○					45
Préfiltre	Nettoyer/ remplacer			○						45
Bougie d'allumage	Inspecter			○						46
Passage de l'air de refroidissement et ailettes de cylindre	Nettoyer/ inspecter			○						—
Tuyau de carburant	Inspecter			○						—
	Remplacer							◎*2		—
Filtre de carburant	Nettoyer/ remplacer						○			46
Jeu des soupapes (soupape d'admission et soupape d'échappement)	Inspecter/ régler							◎*2		—
Carburateur	Vidanger le carburant								○*3	35

\*1 Effectuez un remplacement initial après 20 heures d'utilisation.

\*2 Demandez à un atelier de mécanique ou un agent d'entretien agréé d'effectuer l'entretien après 200 heures d'utilisation.

\*3 Après avoir vidé le réservoir de carburant, continuez à faire tourner le moteur et purgez le carburant dans le carburateur.

## Résolution de pannes

Panne	Système	Observation	Cause
Le disque de coupe ne commence pas à tourner	Embrayage	Le moteur tourne	Embrayage endommagé
Le moteur ne démarre pas ou démarre difficilement	<p>Système d'allumage</p> <p>Alimentation en carburant</p> <p>Système de compression</p> <p>Panne mécanique</p> <p>Embrayage</p>	<p>Étincelle d'allumage O.K.</p> <p>Pas d'étincelle d'allumage</p> <p>Réservoir de carburant plein</p> <p>Pas de compression lors de la mise en route</p> <p>Le démarreur ne s'enclenche pas</p> <p>La contamination adhère à l'embrayage et aux pièces environnantes</p>	<p>Panne de l'alimentation en carburant ou du système de compression, panne mécanique</p> <p>Interrupteur STOP commandé, panne de câblage ou court-circuit, bougie ou connecteur défectueux, module d'allumage défectueux</p> <p>Position incorrecte de l'étrangleur, carburateur défectueux, ligne d'alimentation en carburant courbée ou bloquée, carburant encrassé</p> <p>Joint de culasse défectueux, joints d'étanchéité du vilebrequin endommagés, cylindre ou segments de piston défectueux ou mauvaise étanchéité de la bougie</p> <p>Ressort du démarreur cassé, pièces cassées à l'intérieur du moteur</p> <p>Le ressort de roue à cliquet est contaminé et ouvert : le faire nettoyer</p>
Problèmes de démarrage à chaud	Carburateur	Réservoir plein, bougie d'allumage en place	Carburateur contaminé, nettoyez-le
Le moteur démarre mais s'éteint immédiatement	Alimentation en carburant	Réservoir rempli	Réglage incorrect du ralenti, tête d'aspiration ou carburateur contaminé(e) Prise d'air du réservoir de carburant défectueux, conduite d'alimentation en carburant interrompue, câble ou interrupteur STOP défectueux
Performances insuffisantes	Plusieurs systèmes peuvent être affectés simultanément	Mauvais ralenti du moteur	Filtre à air contaminé, carburateur contaminé, silencieux bouché, conduit d'échappement du cylindre bouché

## Dépannage

Avant d'envoyer votre machine en réparation, vérifiez si vous pouvez régler le problème vous-même. Si vous découvrez une anomalie, contrôlez votre machine selon les descriptions de ce mode d'emploi. Ne démontez et ne modifiez aucune pièce d'une manière contraire à la description. Pour toute réparation, contactez un agent d'entretien agréé ou un revendeur local.

Problème	Cause probable (dysfonctionnement)	Solution
Le moteur ne démarre pas	Oubli d'activation de la pompe d'amorçage	Appuyer 7 à 10 fois
	Tirage lent de la corde du démarreur	Tirer plus fort
	Panne d'essence	Faire le plein
	Filtre de carburant bouché	Nettoyer
	Tube de carburant cassé	Redresser le tube de carburant
	Carburant détérioré	Du carburant détérioré rend le démarrage plus difficile. Le remplacer par du carburant neuf. (Fréquence recommandée du remplacement : 1 fois par mois)
	Aspiration excessive du carburant	Régler le levier d'accélération de la vitesse moyenne à la vitesse élevée et tirer sur la poignée de démarrage jusqu'à ce que le moteur démarre. Une fois le moteur démarré, le disque de coupe commence à tourner. Faire très attention au disque de coupe. Si le moteur ne démarre toujours pas, retirer la bougie, sécher l'électrode et ré-assembler ces éléments comme ils l'étaient à l'origine. Ensuite, démarrer comme indiqué.
	Protecteur de bougie débranché	Le brancher solidement
	Bougie contaminée	Nettoyer
	Espacement anormal de la bougie	Régler l'espacement
	Autre problème de la bougie	Remplacer
	Carburateur anormal	Faire une demande d'examen et d'entretien.
	Impossible de tirer la corde de démarrage.	Faire une demande d'examen et d'entretien.
	Entraînement anormal	Faire une demande d'examen et d'entretien.
Embrayage et pièces environnantes contaminés	Nettoyer	
Le moteur s'arrête rapidement La vitesse du moteur n'augmente pas	Réchauffement insuffisant	Réchauffer le moteur
	Le levier d'étrangleur est en position « H » alors que le moteur est chaud.	Le régler sur « ON III »
	Filtre de carburant bouché	Nettoyer
	Filtre à air contaminé ou bouché	Nettoyer
	Carburateur anormal	Faire une demande d'examen et d'entretien.
	Entraînement anormal	Faire une demande d'examen et d'entretien.
Le disque de coupe ne tourne pas ↓ Arrêtez immédiatement le moteur	Boulon de serrage du disque de coupe desserré	Le serrer correctement
	Entraînement anormal	Faire une demande d'examen et d'entretien.
Vibrations anormales de la machine ↓ Arrêtez immédiatement le moteur	Disque de coupe cassé, tordu ou émoussé	Remplacer le disque de coupe
	Boulon de serrage du disque de coupe desserré	Le serrer correctement
	Entraînement anormal	Faire une demande d'examen et d'entretien.
Le disque de coupe ne s'arrête pas immédiatement ↓ Arrêtez immédiatement le moteur	Rotation élevée au ralenti	Régler
	Timonerie d'accélérateur détachée	Faire une demande d'examen et d'entretien.
	Entraînement anormal	Faire une demande d'examen et d'entretien.
Le moteur ne s'arrête pas ↓ Faites tourner le moteur au ralenti et réglez le levier d'étrangleur en position « H »	Connecteur débranché	Le brancher solidement
	Système électrique anormal	Faire une demande d'examen et d'entretien.

Lorsque le moteur ne démarre pas après avoir été réchauffé :

Si aucun problème n'apparaît après vérification, ouvrez l'étrangleur d'environ 1/3 et démarrez le moteur.

## Entreposage

### AVERTISSEMENT :

Lors de la vidange du carburant, arrêtez toujours le moteur, laissez-le refroidir, puis vidangez le carburant.

- Si vous vidangez directement le carburant après avoir arrêté le moteur, cela risque de produire des flammes et des brûlures.

### ATTENTION :

Si vous prévoyez de ne pas utiliser la découpeuse thermique pendant une période prolongée, vidangez tout le carburant et rangez la découpeuse thermique dans un lieu sec et propre.

- Pour vidanger le carburant du réservoir de carburant et du carburateur, procédez comme suit :

- (1) Retirez le bouchon du réservoir de carburant, purgez le carburant jusqu'à ce que le réservoir soit vide.  
À ce stade, vérifiez l'absence de corps étranger à l'intérieur du réservoir de carburant. Si vous trouvez des corps étrangers, retirez-les.
- (2) Utilisez un morceau de câble, etc., pour retirer le filtre de carburant du goulot du réservoir.
- (3) Appuyez sur la pompe d'amorçage jusqu'à ce que tout le carburant soit transféré dans le réservoir de carburant, puis n'oubliez pas de retirer l'ensemble du carburant présent dans le réservoir.
- (4) Remplacez le filtre à carburant dans le réservoir de carburant, puis resserrez fermement le bouchon du réservoir de carburant.
- (5) Enfin, faites tourner le moteur jusqu'à ce qu'il s'arrête.
- (6) Retirez la bougie, puis purgez les quelques gouttes d'huile moteur présentes dans l'orifice de la douille.
- (7) Tirez lentement sur la poignée de démarrage afin de faire circuler l'huile dans le moteur, puis remontez la bougie.
- (8) Placez le carburant purgé dans un récipient approprié et stockez-le dans un lieu abrité de la lumière et bien ventilé.



**Vielen Dank, dass Sie sich für den Kauf eines Produkts von MAKITA entschieden haben!**

Herzlichen Glückwunsch zur Wahl eines Trennschleifers von MAKITA! Wir sind überzeugt, dass Sie mit diesem modernen Gerät zufrieden sein werden.

Wir möchten, dass Sie mit Ihrem MAKITA-Erzeugnis zufrieden sind. Damit Funktionstüchtigkeit und Leistungsverhalten Ihres neuen Trennschleifers stets optimal sind und damit zu jedem Zeitpunkt Ihre persönliche Sicherheit gegeben ist, haben wir eine Bitte an Sie: **Lesen Sie vor der ersten Inbetriebnahme des Trennschleifers diese Betriebsanleitung sorgfältig durch, und befolgen Sie stets und ohne Kompromisse die Sicherheitsvorschriften! Werden diese Sicherheitshinweise nicht eingehalten, kann dies zu schweren oder gar tödlichen Unfällen führen!**



**Nur für europäische Länder**

**EG-Konformitätserklärung**

**Wir, Makita Corporation als verantwortlicher Hersteller, erklären, dass das/die folgende/n Gerät/Geräte der Marke Makita:**

Bezeichnung des Geräts: Trennschleifer

Nummer / Typ des Modells: EK7650H, EK7651H

Technische Daten: siehe Tabelle „Technische Daten“.

in Serienfertigung hergestellt wird/werden und **den folgenden Richtlinien der Europäischen Union genügt/genügen:**

2000/14/EG, 2006/42/EG

Außerdem werden die Geräte gemäß den folgenden Standards oder Normen gefertigt:

EN ISO 19432

Die technische Dokumentation erfolgt durch unseren Bevollmächtigten in Europa:

Makita International Europe Ltd.,

Michigan Drive, Tongwell,

Milton Keynes, Bucks MK15 8JD, England

Das Verfahren zur Konformitätsbewertung, vorgesehen in 2000/14/EG, erfolgte in Übereinstimmung mit Anhang V.

Gemessener Schallleistungspegel: 113 dB (A)

Garantierter Schallleistungspegel: 114 dB (A)

14. 1. 2011

Tomoyasu Kato

Direktor

Makita Corporation

3-11-8, Sumiyoshi-cho,

Anjo, Aichi, 446-8502, JAPAN

Inhaltsverzeichnis	Seite
Verpackung .....	54
Lieferumfang .....	55
Symbole .....	55
<b>ARBEITSSCHUTZ</b> .....	56
Allgemeine Maßnahmen .....	56
Schutzausrüstung .....	56
Kraftstoffe / Betanken.....	57
Inbetriebnahme .....	57
Trennscheiben .....	58
Rückschlag und Einrasten .....	59
Verhaltensregeln und Vorgehensweise für die Arbeiten.....	59
Schneiden von Metall.....	60
Schneiden von Mauerwerk und Beton .....	60
Transport und Lagerung.....	61
Wartung.....	62
Erste Hilfe.....	62
<b>Technische Daten</b> .....	63
<b>Bezeichnung der Bauteile</b> .....	64
<b>INBETRIEBNAHME</b> .....	65
Montieren der Trennscheibe .....	65
Festziehen des Keilriemens /	
Prüfen der Keilriemenspannung.....	66
Vor dem Betrieb .....	66
<b>Betrieb</b> .....	68
Starten.....	68
<b>Einstellen des Vergasers</b> .....	69
<b>WARTUNG</b> .....	69
Keilriemen .....	70
Reinigen der Schutzhaube.....	70
Reinigen bzw. Tauschen des Luftfilters .....	71
Wartung der Zündkerzenstecker .....	72
Austauschen des Ansaugkopfs .....	72
Reinigen des Starters.....	73
Ändern der Position der Trennerbefestigung (mittig/seitlich) ...	74
<b>SONDERZUBEHÖR</b> .....	75
Diamant-Trennscheiben.....	75
Führungswagen .....	75
Wassertank (Komponente des Wagens).....	75
Haupt- / Druckwassersystem .....	75
<b>Wartungsübersicht</b> .....	76
<b>Fehlerposition</b> .....	77
<b>Fehlersuche</b> .....	78
<b>Aufbewahren</b> .....	79

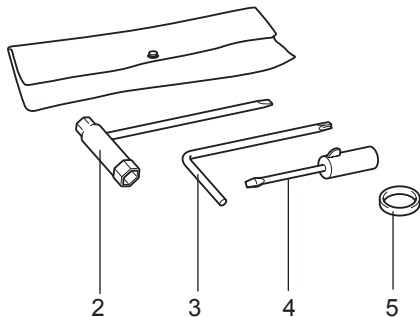
**Verpackung**

Der MAKITA-Trennschleifer ist zum Schutz vor Transportschäden in einem Pappkarton verpackt.

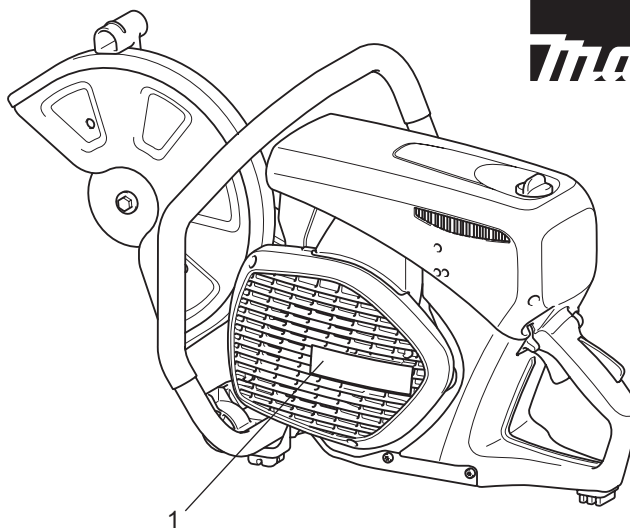
Karton ist ein Grundrohstoff und wird daher wiederverwendet oder recycelt (Recycling von Altpapier).



## Lieferumfang



1. Trennschleifer
2. 13/19 AF Ring-Maulschlüssel
3. Stern-Maulschlüssel
4. Vergaser-Einstellschraubendreher
5. Adapterring (In einigen Ländern wird dieser Ring für das Werkzeug nicht benötigt.)
6. Bedienungsanleitung (nicht dargestellt)



**Makita**

Falls eines der aufgeführten Teile nicht mitgeliefert wurde, wenden Sie sich bitte an Ihren Händler.

## Symbole

In der Betriebsanleitung und an der Motorsäge finden Sie die folgenden Symbole:

	Lesen Sie unbedingt diese Bedienungsanleitung und beachten Sie die Warnungen und Sicherheitsvorschriften!		Abmessungen der Trennscheibe
	Besondere Vorsicht und Aufmerksamkeit erforderlich!		Manueller Motorstart
	Verboten!		Motor stoppen!
	Tragen Sie Schutzhelm, Schutzbrille sowie Gehör- und ausreichenden Atemschutz!		Warnung! Rückschlag!
	Schutzhandschuhe tragen!		Kraftstoff (Benzin)
	Rauchverbot!		Erste Hilfe
	Umgang mit offenen Flammen verboten!		Recycling
	Richtung der Trennscheibendrehung		CE-Kennzeichen
	<b>⚠️ WARNUNG:</b> Die max. Umfangsgeschwindigkeit der Trennscheibe beträgt 80 m/s!		

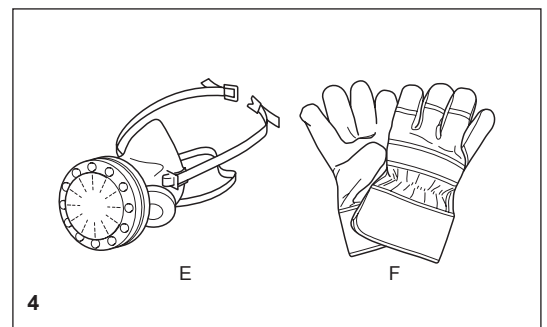
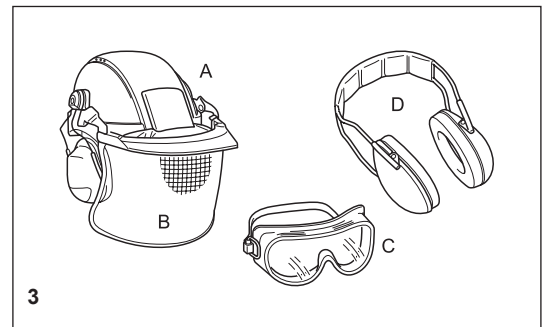
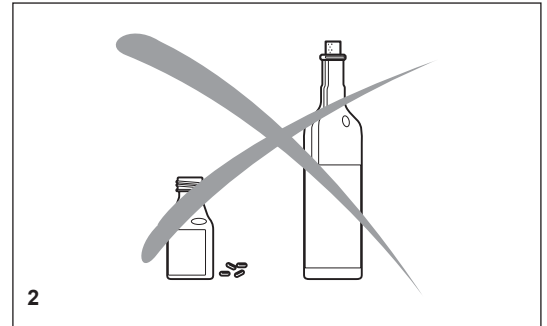
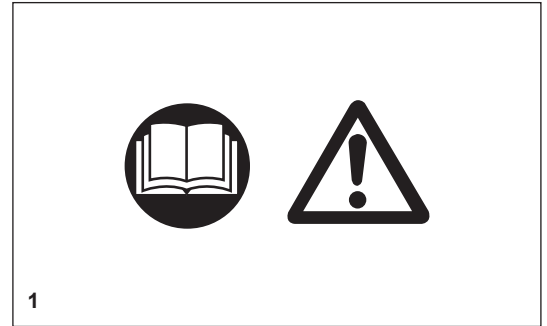
# ARBEITSSCHUTZ

## Allgemeine Maßnahmen

- Der Bediener **MUSS** dieses Anleitungshandbuch durchlesen, um einen **sicheren Betrieb zu gewährleisten (auch wenn bereits Erfahrungen im Umgang mit Stichsagen vorhanden sind)**. Wichtig ist, dass Sie mit dem Betrieb dieser speziellen Stichsäge vertraut sind. Unzureichend informierte Benutzer gefährden sich selbst und andere aufgrund eines unsachgemäßen Umgangs.
- Lassen Sie ausschließlich Personen mit Erfahrungen im Umgang mit Stichsagen mit diesem Gerät arbeiten. Wenn Sie anderen Personen den Trennschleifer verwenden lassen, müssen Sie auch dieses Anleitungshandbuch zur Verfügung stellen.
- Neulinge sollten einen Spezialisten bitten, sie in den Umgang mit benzinbetriebenen Stichsagen einzuweisen.
- Kindern und Jugendlichen unter 18 Jahren ist die Bedienung des Trennschleifers untersagt. Jugendliche über 16 Jahre dürfen den Trennschleifer ausschließlich zu Ausbildungszwecken und unter Aufsicht eines zugelassenen Ausbilders bedienen.
- Das Arbeiten mit dem Trennschleifer erfordert hohe Konzentration.
- Betreiben Sie den Trennschleifer nur, wenn Sie in guter physischer Verfassung sind. Falls Sie müde sind, lässt Ihre Aufmerksamkeit nach. Seien Sie am Ende eines Arbeitstages besonders aufmerksam. Führen Sie alle Arbeiten ruhig und mit Vorsicht aus. Die Bedienperson ist gegenüber Dritten haftbar.
- Arbeiten Sie niemals unter dem Einfluss von Alkohol, Drogen, Medikamenten oder anderer Substanzen, die Ihr Sehvermögen, Ihre Geschicklichkeit oder Urteilskraft beeinträchtigen, mit diesem Gerät.
- In unmittelbarer Nähe muss ein Feuerlöscher verfügbar sein.
- Asbest und andere Materialien, die Gifte freisetzen können, dürfen nur mit den notwendigen Sicherheitsvorkehrungen und nach Benachrichtigung der zuständigen Behörden und unter deren Aufsicht oder einer von ihnen ermächtigten Person geschnitten werden.

## Schutzausrüstung

- **Um Verletzungen von Gehör, Augen, Händen und Füßen zu vermeiden, aber auch um Ihre Hörleistung während des Betriebs zu schützen, müssen Sie während der Bedienung des Trennschleifers die folgenden Schutzausrüstungen tragen.**
- Es ist geeignete Arbeitskleidung zu tragen, die am Körper anliegt, jedoch die Bewegungsfreiheit nicht einschränkt. Kleidung, in der sich Materialkörner ansammeln können (Hosen mit Muffen, Jacken und Hoden mit weit offenen Taschen usw.), dürfen nicht getragen werden, vor allem nicht beim Schneiden von Metall.
- Tragen Sie keinen Schmuck und keine Kleidung, die sich verfangen können oder die von der Bedienung des Trennschleifers ablenken.
- Sie müssen stets bei der Arbeit mit dem Trennschleifer einen Schutzhelm tragen. Der **Schutzhelm (A)** muss regelmäßig auf Beschädigungen überprüft und spätestens nach 5 Jahren ausgetauscht werden. Verwenden Sie ausschließlich zugelassene Schutzhelme.
- Das **Visier (B)** des Helms schützt das Gesicht vor Staub und Materialkörnern. Um Verletzungen der Augen und des Gesichts zu verhindern, tragen Sie stets eine **Schutzbrille (C)** oder ein Visier, wenn Sie den Trennschleifer verwenden.
- Um Schädigungen des Gehörs zu verhindern, ist das Tragen eines geeigneten persönlichen **Gehörschutzes (Kapselgehörschutz (D), Gehörschutzstöpsel usw.)** vorgeschrieben. Oktavbandanalyse auf Anfrage.
- Tragen Sie beim Trockenzerspanen von stauberzeugenden Materialien, wie Steine oder Beton, stets einen zugelassenen **Atenschutz (E)**.
- **Arbeitshandschuhe (F)** aus festem Leder sind Teil der Grundausrüstung des Trennschleifers und müssen stets bei Arbeiten mit dem Trennschleifer getragen werden.



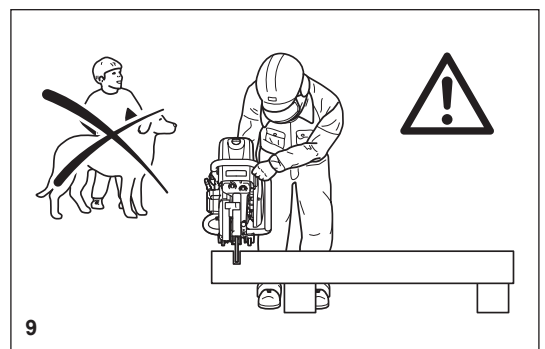
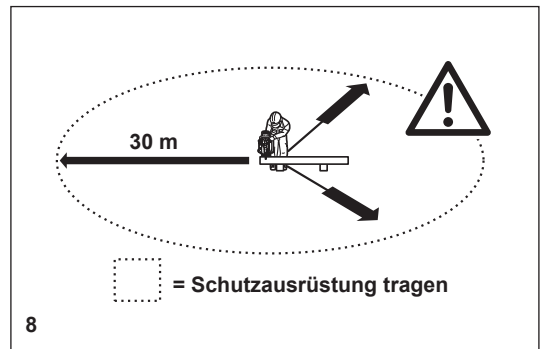
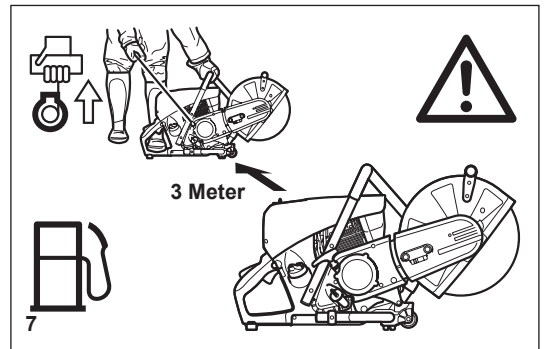
- Tragen Sie stets **Arbeitsschuhe** (G) mit Stahlkappe, rutschfesten Sohlen und Beinschutz, wenn Sie mit dem Trennschleifer arbeiten. Sicherheitsschuhe mit Schnitenschutz bieten Schutz vor Schnitten und einen sicheren Stand.
- Tragen Sie stets einen **Arbeitskleidung** (H) aus festem Material.

### Kraftstoffe / Betanken

- Begeben Sie sich zum Betanken an einen sicheren, ebenen Ort. **Betanken Sie niemals auf Gerüsten, Materialhaufen oder an ähnlichen Plätzen!**
- Schalten Sie den Motor aus, bevor Sie den Trennschleifer betanken.
- Rauchen Sie nicht und arbeiten Sie nicht in der Nähe offener Flammen (6).
- Lassen Sie den Motor abkühlen, bevor Sie ihn betanken.
- Kraftstoffe können den Lösungsmitteln ähnliche Substanzen enthalten. Augen und Haut dürfen mit Mineralölerzeugnisse nicht in Kontakt kommen. Tragen Sie beim Betanken stets Schutzhandschuhe (keine herkömmlichen Arbeitshandschuhe!). Reinigen und wechseln Sie die Schutzhandschuhe häufig. Atmen Sie die Kraftstoffdämpfe nicht ein. Das Einatmen von Kraftstoffdämpfen kann gefährlich für Ihre Gesundheit werden.
- Verschütten Sie keinen Kraftstoff. Falls etwas Kraftstoff ausläuft, reinigen Sie den Trennschleifer sofort. Kraftstoff darf nicht in Kontakt mit Kleidung kommen. Falls Kraftstoff auf Ihre Kleidung gelangt ist, wechseln Sie diese sofort.
- Achten Sie darauf, dass kein Kraftstoff in das Erdreich gelangt (Umweltschutz). Verwenden Sie eine geeignete Unterlage.
- Betanken Sie das Werkzeug niemals in geschlossenen Räumen. Am Fußboden sammeln sich Kraftstoffdämpfen an (Explosionsgefahr).
- Stellen Sie sicher, dass die Schraubkappe des Kraftstofftanks festgezogen ist.
- Begeben Sie sich vor dem Starten des Motors an einen Ort in mindestens 3 Metern Entfernung zum Betankungsort des Trennschleifers (7), und außerhalb des erweiterten Schwenkbereichs der Trennscheibe (Richtung des Funkenflugs).
- Kraftstoff kann nicht unbegrenzt gelagert werden. Kaufen Sie nur so viel, wie Sie in nächster Zeit verbrauchen werden.
- Lagern und transportieren Sie Kraftstoff ausschließlich in zugelassenen und ordnungsgemäß beschrifteten Behältern.
- **Bewahren Sie Kraftstoffe sicher vor Kindern auf.**

### Inbetriebnahme

- **Arbeiten Sie niemals allein. Im Notfall muss Hilfe in der Nähe sein (in Rufweite).**
- Achten Sie auf alle Lärmschutzregelungen, wenn Sie in Wohnbereichen arbeiten.
- **Betreiben Sie den Trennschleifer niemals in der Nähe entzündlicher Materialien oder explosiver Gase! Der Trennschleifer kann Funken erzeugen, die einen Brand oder eine Explosion verursachen!**
- Stellen Sie sichern, dass alle Personen im Umkreis von 30 Metern, beispielsweise andere Arbeiter, eine Schutzausrüstung tragen (siehe „Schutzausrüstung“) (8). Kinder und andere nicht autorisierte Personen müssen sich in einem Mindestabstand von 30 Metern zum Arbeitsbereich aufhalten. Achten Sie außerdem auch auf Tiere (9).
- **Vor Beginn der Arbeiten ist der Trennschleifer entsprechend den Vorschriften auf ordnungsgemäße Funktion und Betriebssicherheit zu überprüfen.**  
Stellen Sie vor allem sicher, dass sich die Trennscheibe in einem guten Zustand befindet (falls eingerissen, beschädigt oder verbogen sofort ersetzen), die Trennscheibe ordnungsgemäß montiert, die Schutzhaube richtig verriegelt, der Handschutz ordnungsgemäß montiert, der Keilriemen ordentlich gespannt ist, sich der Gashebel einfach bewegen lässt und die Griffe sauber und trocken sind und der Kombinationsschalter ordnungsgemäß funktioniert.
- Starten Sie den Trennschleifer nur nach vollständiger Montage und Inspektion. Wenn Teile an des Trennschleifers fehlen, ist der Betrieb der Motorsäge unzulässig.



## Trennscheiben

- Die Schutzhaube muss immer aktiviert sein! Wechseln Sie Scheiben nur bei ausgeschaltetem Motor!
- Es gibt zwei Grundtypen an Trennscheiben:
  - Für Metall (Heißschneiden)
  - Für Mauerwerk (Kaltschneiden)

### HINWEIS:

Stellen Sie bei Verwendung von Diamant-Trennscheiben stets sicher, dass die Markierungen für die „Drehrichtung“ beachtet werden. Diamantscheiben dürfen nur für das Schneiden von Mauerwerk, Ziegeln, Beton usw. verwendet werden.

- Trennscheiben sind nur für Radiallasten, d. h. zum Schneiden vorgesehen. Schleifen Sie nie mit den Seiten einer Trennscheibe. Dadurch wird die Scheibe (10).

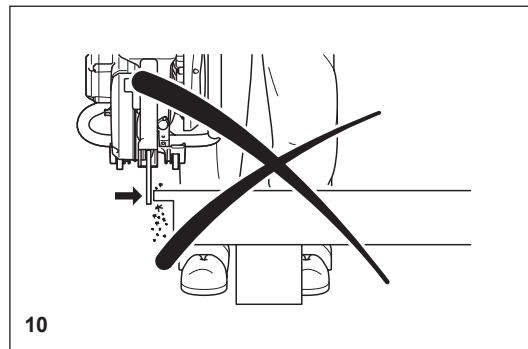
### ⚠ ACHTUNG:

**Ändern Sie beim Schneiden niemals die Richtung (Wenderadius unter 5 Metern), üben Sie niemals lateralen (seitlichen) Druck aus und kippen Sie niemals den Trennschleifer (11)!**

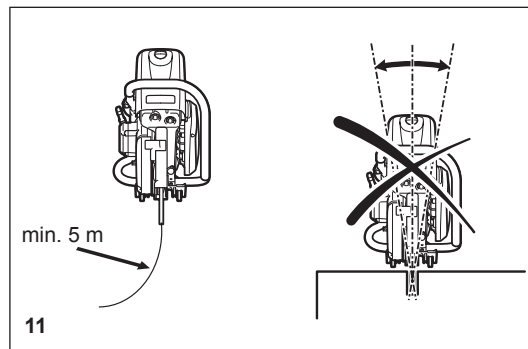
- Verwenden Sie eine Trennscheibe nur zum Schneiden der Materialien, für die sie vorgesehen ist. Es muss der richtige Scheibentyp verwendet werden: zum Schneiden von Metallen oder Mauerwerk.
- Der Aufnahmedorn (Bohrloch) der Trennscheibe muss exakt auf den Schaft passen. Falls das Aufnahmeloch größer als der Schaftdurchmesser ist, muss ein Distanzring verwendet werden (Zubehör).
- Verwenden Sie ausschließlich Trennscheiben, die vom DSA (Deutscher Schleifscheiben Ausschuss) oder ähnlichen Organisationen für den Freihandschnitt bis zu 4.370 U/min (= 80 m/s am Umfang) für 14"/355 mm-Scheiben oder bis zu 5.100 U/min (= 80 m/s am Umfang) für 12"/300 mm-Scheiben genehmigt wurden.
- Die Scheibe muss frei von Defekten sein (12). Verwenden Sie niemals defekte Trennscheiben.

**Ziehen Sie die Befestigungsschrauben der Trennscheibe stets mit einem Anzugsmoment von 30 Nm fest. Andernfalls kann sich die Trennscheibe selbst drehen.**

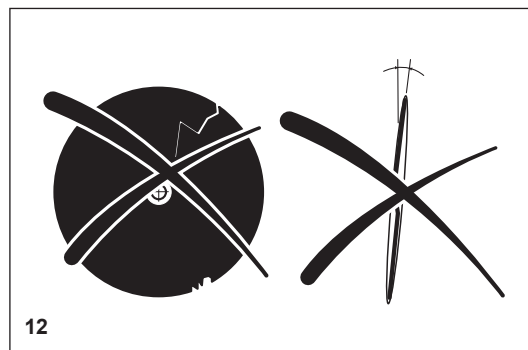
- Vergewissern Sie sich vor dem Starten der Trennscheibe, dass Sie sicher stehen.
- Starten Sie den Trennschleifer nur wie in dieser Bedienungsanleitung beschrieben (13). Stellen Sie Ihren linken Fuß immer in den hinteren Griff und greifen Sie den anderen Griff sicher (mit Daumen und Fingern). Andere Startmethoden sind nicht zulässig.
- Beim Starten des Trennschleifers muss dieser gut gestützt und sicher gehalten werden. Die Trennscheibe darf nichts berühren.
- Falls die Trennscheibe neu ist, testen Sie diese, indem Sie sie mindestens 60 Sekunden bei voller Drehzahl laufen lassen. Stellen Sie dabei sicher, dass sich im erweiterten Schwenkbereich der Scheibe keine anderen Personen oder Körperteile befinden, falls die Scheibe defekt ist und weg fliegt.
- **Halten Sie beim Arbeiten mit dem Trennschleifer diesen stets mit beiden Händen.** Erfassen Sie den hinteren Griff mit der rechten Hand und den Bügelgriff mit der linken Hand. Umfassen Sie die Griffe fest mit Daumen und Fingern.
- **ACHTUNG: Nach dem Loslassen des Gashebels läuft die Scheibe noch eine kurze Zeit nach (Nachlauf).**
- Achten Sie jederzeit auf sicheren und festen Stand.
- Halten Sie den Trennschleifer so, dass Sie die Abgase nicht einatmen. Arbeiten Sie nicht in geschlossenen Räumen oder tiefen Löchern oder Gräben (Vergiftungsgefahr durch Rauch).
- **Schalten Sie den Trennschleifer sofort aus, wenn spürbare Veränderungen im Verhalten des Schleifers auftreten.**
- **Schalten Sie den Motor aus, bevor Sie die Keilriemenspannung überprüfen oder den Keilriemen festziehen, die Trennscheibe ersetzen, die Trennerbefestigung neu positionieren (Seiten- oder Mittenposition) oder Fehler beheben (14).**
- Schalten Sie den Motor sofort aus und überprüfen Sie die Scheibe, wenn Sie Veränderungen im Schneidverhalten hören oder spüren.
- Schalten Sie den Trennschleifer aus, wenn Sie die Arbeit unterbrechen oder beenden (14). Legen Sie das Gerät so ab, dass die Scheibe nichts berührt und niemanden gefährdet.
- Legen Sie den überhitzten Trennschleifer nicht in trockenem Gras oder auf entzündlichen Gegenständen ab. Der Schalldämpfer ist sehr heiß (Brandgefahr).
- **WICHTIG:** Schalten Sie nach dem Nassschneiden zuerst die Wasserzufuhr aus und lassen Sie die Scheibe mindestens 30 Sekunden laufen, damit verbliebenes Wasser zur Vermeidung von Korrosion herausspritzt.



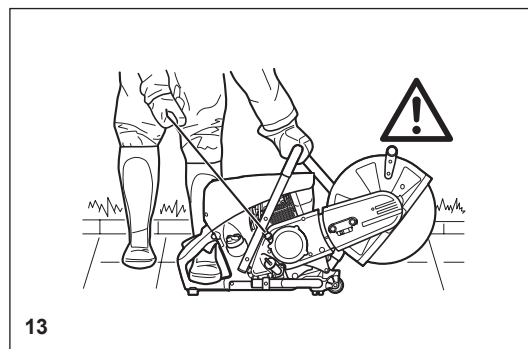
10



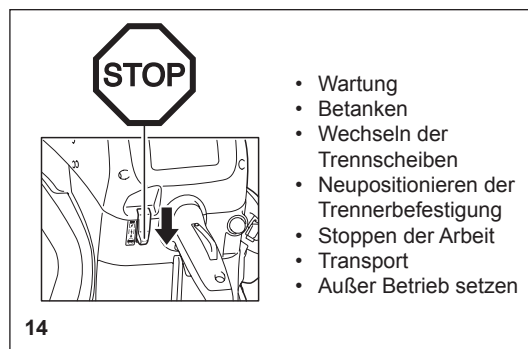
11



12



13



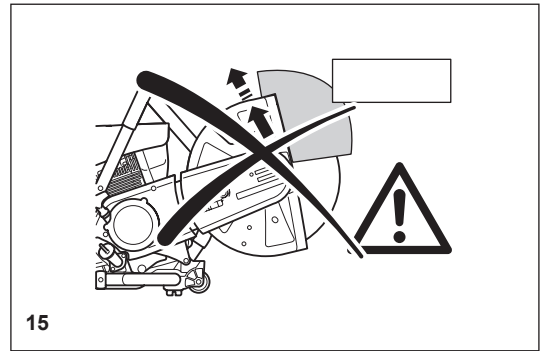
14

- Wartung
- Betanken
- Wechseln der Trennscheiben
- Neupositionieren der Trennerbefestigung
- Stoppen der Arbeit
- Transport
- Außer Betrieb setzen

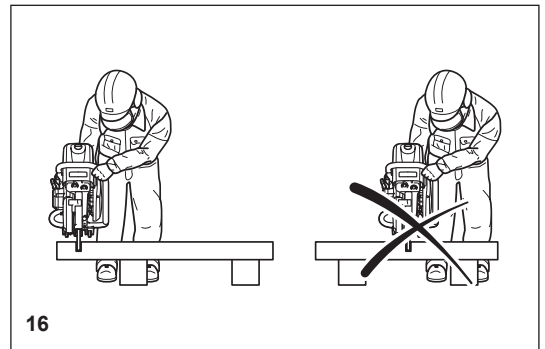


## Rückschlag und Einrasten

- Wenn Sie mit einem Trennschleifer arbeiten, besteht die Gefahr eines Rückschlags oder des Einrastens.
- Ein Rückschlag tritt auf, wenn mit der oberen Kante der Trennscheibe geschnitten wird (15).
- Dadurch wird der Trennschleifer mit großer Kraft und außerhalb der Kontrolle zurück in Richtung des Bedieners geworfen. **Verletzungsgefahr!**  
**Beachten Sie Folgendes, um einen Rückschlag zu vermeiden:**
- Schneiden Sie niemals mit dem in Abbildung 15 dargestellten Bereich der Trennscheibe.  
**Seien Sie besonders vorsichtig, wenn Sie die Scheibe wieder in Schnitte einführen, die bereits begonnen wurden!**
- Ein Einrasten tritt auf, wenn der Schnitt zu eng ist (Bersten oder Arbeitsstück unter Spannung).
- Dadurch springt der Trennschleifer plötzlich mit großer Kraft und außerhalb der Kontrolle nach vorn. **Verletzungsgefahr!**  
**Beachten Sie Folgendes, um einen Einrasten zu vermeiden:**
- Wenn Sie die Scheibe in alte Schnitte wieder einführen, lassen Sie den Trennschleifer mit maximaler Drehzahl laufen. Schneiden Sie immer mit maximaler Drehzahl.
- Stützen Sie das Werkstück stets so, dass der Schnitt unter Spannung ist (16), der Schnitt nicht zusammengedrückt wird und die Trennscheibe nicht festklemmt, wenn sie durch das Material geführt wird.
- Setzen Sie beim Starten eines Schnitts die Scheibe mit Vorsicht auf das Arbeitsstück auf.  
Schieben Sie sie nicht einfach in das Material.
- Schneiden Sie niemals mehr als ein Werkstück gleichzeitig! Stellen Sie beim Schneiden sicher, dass kein Kontakt zu anderen Werkstücken möglich ist.



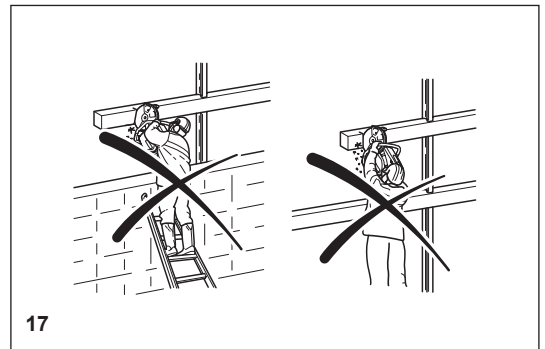
15



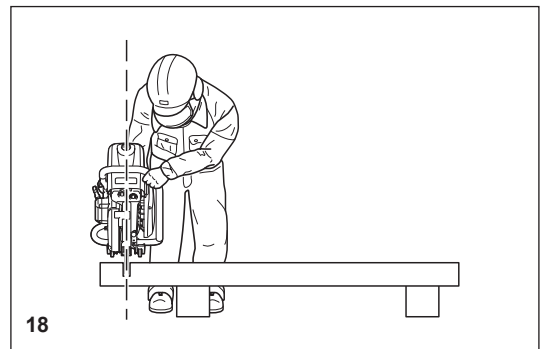
16

## Verhaltensregeln und Vorgehensweise für die Arbeiten

- Prüfen Sie vor dem Starten der Arbeit den Arbeitsbereich auf Gefahren (elektrische Kabel, entflammare Substanzen). Markieren Sie den Arbeitsbereich deutlich (beispielsweise mit Warnzeichen oder durch Absperren des Bereichs).
- Halten Sie beim Arbeiten mit dem Trennschleifer diesen fest an den vorderen und hinteren Griffen. Lassen Sie den Trennschleifer niemals unbeaufsichtigt!
- Betreiben Sie den Trennschleifer möglichst stets bei Nenndrehzahl des Aufnahmedorns (siehe „Technische Daten“).
- Arbeiten Sie mit dem Trennschleifer nur bei guten Sicht- und Lichtverhältnissen. Achten Sie auf rutschigen und feuchten Untergrund und auf Eis und Schnee (Rutschgefahr).
- Arbeiten Sie niemals auf nicht stabilen Flächen. Stellen Sie sicher, dass sich im Arbeitsbereich keine Hindernisse befinden, über die Sie stolpern könnten. Achten Sie jederzeit auf sicheren und festen Stand.
- Sägen Sie niemals über Schulterhöhe (17).
- Stehen Sie zum Schneiden niemals auf einer Leiter (17).
- Verwenden Sie den Trennschleifer niemals, wenn Sie auf einem Gerüst stehen.
- Beugen Sie sich beim Arbeiten nicht zu weit. Beugen Sie sich beim Ablegen und Aufnehmen des Trennschleifers nicht aus der Taille, sondern die Knie. Schützen Sie Ihren Rücken.
- Führen Sie den Trennschleifer so, dass sich Ihr Körper außerhalb des verlängerten Schwenkbereichs der Scheibe befindet (18).
- Verwenden Sie Trennscheiben ausschließlich für den Zweck, für den sie vorgesehen sind!
- Verwenden Sie den Trennschleifer nicht zum Anheben oder Wegschaufeln von Materialstücken und sonstigen Gegenständen.  
**Wichtig!** Entfernen Sie vor dem Schneiden alle Fremdkörper, wie Steine, Kies, Nägel usw. aus dem Schneidbereich. Andernfalls können diese Gegenstände durch die Scheibe mit großer Geschwindigkeit wegfliegen. **Verletzungsgefahr!**
- Verwenden Sie beim Längsschneiden von Werkstücken eine geeignete Stütze. Sichern Sie das Werkstück bei Bedarf gegen Verrutschen, stabilisieren Sie es jedoch nicht mit Ihren Fuß und gestatten Sie auch keiner anderen Person, es zu halten.
- Sichern Sie beim Schneiden runder Gegenstände diese gegen Drehung.
- Verwenden Sie, wenn Sie den Trennschleifer von Hand führen, die seitliche Montageposition der Trennerbefestigung nur, wenn dies tatsächlich notwendig ist. Verwenden Sie andernfalls immer die Mittenposition. Dies vermittelt dem Gerät eine bessere Balance für geringere Anstrengungen zum Betrieb.



17



18

## Schneiden von Metall

### ⚠ WICHTIG!

Tragen Sie immer einen ausreichenden Atemschutz.

Materialien, die giftige Substanzen freisetzen können, dürfen nur nach Benachrichtigung der zuständigen Behörden und unter deren Aufsicht oder einer von ihnen ermächtigten Person geschnitten werden.

### ⚠ ACHTUNG:

Die schnelle Rotation der Trennscheibe erhitzt das Metall am Kontaktpunkt. Schwenken Sie den Schutz so weit wie möglich hinter den Schnitt (19), um den Funkenflug nach vorn, weg vom Bediener zu lenken (Brandgefahr).

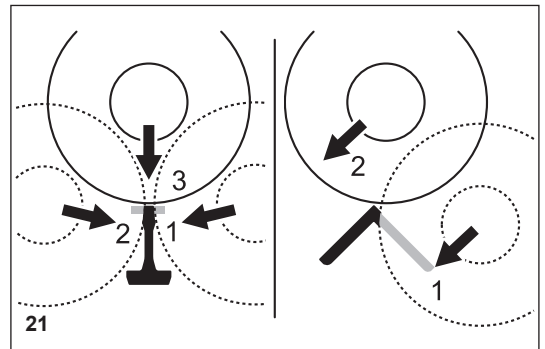
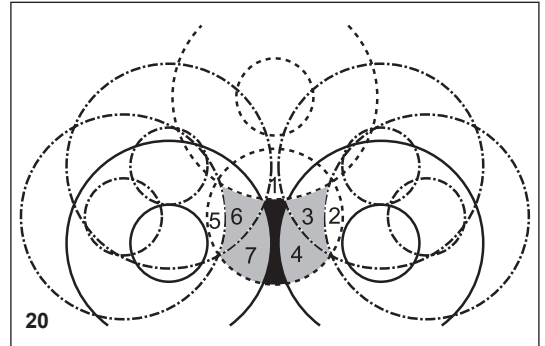
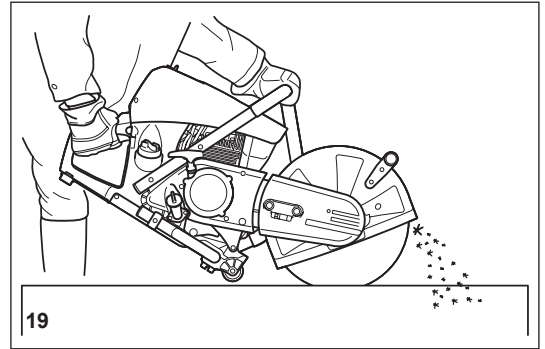
- Bestimmen Sie die Schnittrichtung, markieren Sie den Schnitt und setzen Sie die Scheibe bei moderater Drehzahl auf das Material auf, um eine Führungsnut zu schneiden, bevor Sie die Drehzahl bis zum Maximum erhöhen und mehr Druck auf den Trennschleifer anwenden.
- Halten Sie die Scheibe gerade und senkrecht. Kippen Sie sich nicht, da sie sonst brechen könnte.
- Die beste Möglichkeit für einen sauberen Schnitt ist, den Trennschleifer zurück und vor zu ziehen oder schieben. Drücken Sie die Scheibe nicht einfach in das Material.
- Dicke runde Materialien schneiden Sie am besten in Stufen (20).
- Dünne Rohre können Sie mit einem einfachen Abwärtsschnitt schneiden.
- Schneiden Sie dicke Rohre wie dicke, runde Materialien. Um ein Kippen zu verhindern und für eine bessere Kontrolle lassen Sie die Scheibe nicht zu tief in das Material eindringen. Schneiden Sie stattdessen flach um das gesamte Werkstück.
- Verschlissene Scheiben haben einen kleineren Durchmesser als neue Scheiben, sodass die gleiche Motordrehzahl eine niedrigere Umfangsgeschwindigkeit bewirkt und daher nicht so gut schneidet.
- Schneiden Sie I-Balken und L-Balken in Schritten (siehe Abb. 21).
- Schneiden Sie Streifen und Platten wie Werkstücke: entlang der breiten Seiten mit einem langen Schnitt.
- Machen Sie beim Schneiden von Material unter Spannung (gestütztes Material oder Material in Strukturen) stets eine Kerbe in die Schubseite (Druckseite) und schneiden Sie anschließend von der Spannungsseite aus, damit die Scheibe nicht einrastet. **Sichern Sie abgeschnittenes Material gegen Fallen!**

### ⚠ ACHTUNG:

Falls die Möglichkeit besteht, dass das Material unter Spannung ist, stellen Sie sich auf einen Rückschlag ein. Vergewissern Sie sich, dass Sie im Notfall ausweichen können!

Seien Sie besonders bei Schrottplätzen, an Unfallplätzen und bei willkürlichen Materialstapeln vorsichtig. Unsicher ausbalancierte Werkstücke oder Werkstücke unter Spannung können in unvorhergesehener Weise reagieren und wegrutschen, herausspringen oder zerbersten. Sichern Sie abgeschnittenes Material gegen Fallen! Seien Sie stets äußerst aufmerksam und verwenden Sie nur Geräte in perfektem Arbeitszustand.

Beachten Sie Arbeitsschutzbestimmungen Ihres Arbeitgebers und/oder Ihrer Versicherung.



## Schneiden von Mauerwerk und Beton

### WICHTIG!

Tragen Sie immer einen ausreichenden Atemschutz.

Asbest und andere Materialien, die giftige Substanzen freisetzen können, dürfen nur nach Benachrichtigung der zuständigen Behörden und unter deren Aufsicht oder einer von ihnen ermächtigten Person geschnitten werden. Folgen Sie beim Schneiden vorgespannter und verstärkter Betonpfähle die Anweisungen und Standards zuständiger Behörden oder des Herstellers des Bauteils. Verstärkungen müssen in der vorgeschriebenen Reihenfolge und unter Einhaltung der geltenden Sicherheitsbestimmungen geschnitten werden.

### HINWEIS:

Mörtel, Steine und Beton entwickeln beim Schneiden große Mengen an Staub. Für die Verlängerung der Lebenszeit der Trennscheibe (durch Kühlen), für die Verbesserung der Sichtbarkeit und zur Vermeidung übermäßiger Staubbildung empfehlen wir den Nass- statt Trockenschnitt.



Beim Nassschnitt wird die Scheibe zu gleichen Teilen an beiden Seiten mit Wasser befeuchtet. MAKITA bietet das entsprechende Zubehör für alle Nassschnittanwendungen (siehe auch „SONDERZUBEHÖR“).

- Entfernen Sie Fremdkörper, wie Sand, Steine und Nägel aus dem Arbeitsbereich.

**ACHTUNG: Schauen Sie nach Elektrokabeln!**

**Durch die schnelle Rotation der Trennscheibe am Kontaktpunkt werden Fragmente aus der Schnittkerbe mit hoher Geschwindigkeit herausgeworfen. Schwenken Sie zu Ihrer Sicherheit die Schutzhaube so weit wie möglich hinter den Schnitt (23), damit Materialfragmente nach vorn, weg vom Bediener ausgeworfen werden.**

- Markieren Sie den Schnitt und schneiden Sie anschließend eine Nut von ca. 5 mm entlang der gesamten Länge des geplanten Schnitts. Diese Nut führt den Trennschleifer anschließend akkurat während des eigentlichen Schnitts.

**HINWEIS:**

Für lange, gerade Schnitte empfehlen wir die Verwendung eines Laufwagens (24, siehe auch „SONDERZUBEHÖR“). Dadurch kann das Gerät viel einfacher gerade gehalten werden.

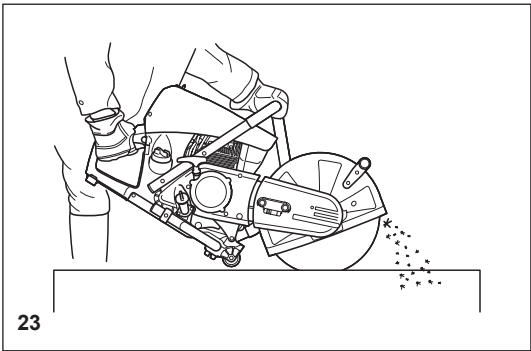
- Führen Sie den Schnitt in einer kontinuierlichen Rückwärts-Vorwärts-Bewegung aus.
- Beim Schneiden von Scheiben auf Größe müssen Sie nicht durch die gesamte Materialdicke schneiden (was unnötig Staub erzeugt). Schneiden Sie stattdessen einfach eine flache Nut und schlagen Sie anschließend das überschüssige Material auf einer flachen Fläche ab (25).

**VORSICHT!**

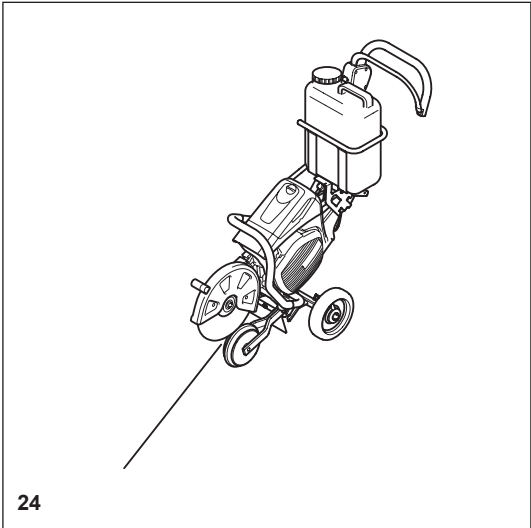
Stellen Sie beim Schneiden auf Länge, durch Material, von Aussparungen usw. stets sicher, dass Sie die Richtung und Reihenfolge der Schnitte so planen, dass die Scheibe nicht durch abgeschnittene Teile eingeklemmt wird, und dass keine Personen durch herunterfallende Teile verletzt werden.

**Transport und Lagerung**

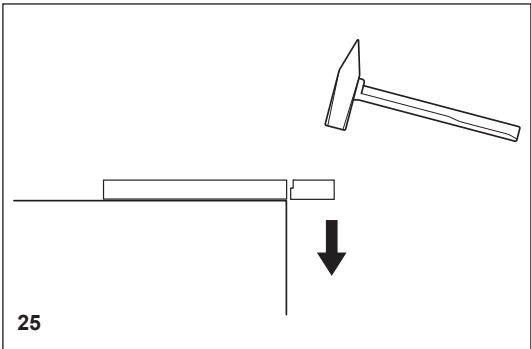
- **Schalten Sie den Trennschleifer stets aus, wenn Sie ihn transportieren oder ihn an einer Baustelle von einem Platz zum anderen bewegen (26).**
- **Tragen und bewegen Sie das Gerät niemals, wenn der Motor eingeschaltet ist oder sich die Scheibe bewegt!**
- Tragen Sie das Gerät nur am (mittigen) Bügelgriff mit der Trennscheibe hinter Sie zeigend (26). Vermeiden Sie eine Berührung des Abgasschalldämpfers (Verbrennungsgefahr!)
- Verwenden Sie beim bewegen des Trennschleifers über längere Strecken eine Schubkarre oder Waagen.
- Stellen Sie beim Transport des Trennschleifers in einem Fahrzeug sicher, dass dieser sicher so positioniert ist, dass kein Kraftstoff auslaufen kann. Entfernen Sie stets die Trennscheibe, bevor Sie das Gerät in einem Fahrzeug transportieren.
- Lagern Sie den Trennschleifer an einem sicheren und trockenen Ort. Der Trennschleifer darf nicht im Freien aufbewahrt werden! Demontieren Sie vor der Lagerung die Trennscheibe. Lagern Sie den Trennschleifer sicher vor Kindern.
- **Befolgen Sie vor einer Langzeitlagerung oder einem Versand des Trennschleifers die Anweisungen in Kapitel „Aufbewahren“. Leeren Sie STETS den Kraftstofftank und trocknen Sie den Vergaser.**
- Achten Sie beim Lagern von Trennscheiben auf Folgendes:
  - Reinigen und trocknen Sie diese gut.
  - Lagern Sie diese flach liegend.
  - Vermeiden Sie Feuchtigkeit, Frost, direkte Sonneneinstrahlung, hohe Temperaturen und Temperaturschwankungen, da diese Einflüsse zum Brechen und Splintern führen können.
- **Prüfen Sie neue Trennscheiben und gelagerte Trennscheiben stets, dass sie frei von Defekten sind.**



23



24



25



26

## Wartung

- **Schalten Sie den Trennschleifer vor der Durchführung von Wartungsarbeiten stets aus (27) und ziehen Sie die Zündkerze heraus.**
- Prüfen Sie den Trennschleifer stets, bevor Sie ihn verwenden, um sicherzustellen, dass er sich in einem guten Arbeitszustand befindet. Stellen Sie vor allem sicher, dass die Trennscheibe ordnungsgemäß befestigt ist. Überprüfen Sie, dass die Trennscheibe nicht beschädigt und für die geplante Aufgabe geeignet ist.
- Betreiben Sie den Trennschleifer nur bei niedrigem Geräusch- und Lärmpegel. Stellen Sie sicher, dass der Vergaser ordnungsgemäß ausgerichtet ist.
- Reinigen Sie den Trennschleifer regelmäßig.
- Überprüfen Sie den Tankdeckel regelmäßig auf Dichtheit.

**Beachten Sie die Anweisungen zur Verhinderung von Unfällen, die von den Handelsorganisationen und Versicherungsunternehmen herausgebracht werden. Nehmen Sie NIEMALS Veränderungen an dem Trennschleifer vor! Sie setzen Ihre eigene Sicherheit aufs Spiel!**

Nehmen Sie nur Wartungs- und Reparaturarbeiten vor, die in der Bedienungsanleitung erläutert sind. Alle darüber hinausgehenden Arbeiten müssen vom MAKITA Service ausgeführt werden (28).

Verwenden Sie ausschließlich Originalersatzteile und Originalzubehör von MAKITA.

Bei Verwendung von MAKITA-fremden Teilen, Zubehör oder Trennscheiben besteht erhöhte Unfallgefahr. Wir übernehmen keine Verantwortung für Unfälle oder Beschädigungen in Zusammenhang mit der Verwendung anderer Trennscheiben oder Zubehörteile als von MAKITA.



27



SERVICE

28

## Erste Hilfe (29)

Vergewissern Sie sich, dass sich Erste-Hilfe-Paket immer in der Nähe verfügbar ist. Füllen Sie aus dem Erste-Hilfe-Kasten entnommene Artikel sofort wieder auf.

**Machen Sie folgende Angaben, wenn Sie Hilfe anrufen:**

- Ort des Unfalls
- Was ist passiert
- Anzahl der verletzten Personen
- Art der Verletzungen
- Ihr Name!

### HINWEIS:

Werden Personen mit schlechter Durchblutung zu starken Vibrationen ausgesetzt, kann es zu Schädigungen von Blutgefäßen und/oder Nervensystem kommen. Folgende Symptome können durch Vibrationen an Fingern, Händen oder Handgelenken auftreten: „Einschlafen“ von Körperteilen (Benommenheit), Kribbeln, Schmerz, Stechen, Veränderung von Hautfarbe oder Haut.

**Falls eines dieser Symptome auftritt, suchen Sie einen Arzt auf!**



29

## Technische Daten

Position		Modell	EK7650H		EK7651H	
Motor	Hubraum	cm <sup>3</sup>	75,6			
	Durchmesser	mm	51			
	Hub	mm	37			
	Max. Leistung	kW	3,0			
	Max. Drehmoment	Nm	4,6			
	Leerlaufdrehzahl	min <sup>-1</sup>	2.600			
	Kupplung		Automatisches Zentrifugalsystem			
	Begrenzung für Motordrehzahl	min <sup>-1</sup>	9.100			
	Max. Spindeldrehzahl	min <sup>-1</sup>	4.300			
	Vergaser		Membrantyp			
	Zündungssystem (mit Drehzahlbegrenzung)		Berührungsloser, magnetischer Typ			
	Zündkerze	Typ	NGK CMR6H			
	Elektrodenabstand	mm	0,5			
	Startsystem		Seilzugsystem			
	Kraftstoffverbrauch bei max. Last nach ISO 8893	kg/h	1,2			
	Spezifischer Verbrauch bei max. Last nach ISO 8893	g/kWh	400			
	Kraftstoff		Fahrzeugbenzin			
	Volumen Kraftstofftank	l	1,1			
	Schmiermittel (Motorenöl)		API-Klassifikation, Klasse SF oder höher SAE 10W-30-Öl (4-Viertaktmotoröl für Autos)			
	Schmiermittelmenge	l	0,22			
Trennscheibe für 80 m/s oder mehr <sup>1)</sup> (DSA-genehmigt): Abmessungen	mm	300 / 20 / 5 <sup>2)</sup>	300 / 25,4 / 5 <sup>2)</sup>	350 / 20 / 5 <sup>2)</sup>	350 / 25,4 / 5 <sup>2)</sup>	
Schalldruckpegel (L <sub>pA</sub> ) nach ISO 19432 <sup>3)</sup>	dB (A)	92,7				
Abweichung (K)	dB (A)	2,5				
Schallleistungspegel (L <sub>WA</sub> ) nach ISO 19432	dB (A)	104,6				
Abweichung (K)	dB (A)	2,5				
Schwingungsbeschleunigung a <sub>h,w</sub> nach EN ISO 19432						
- Vorderer Griff (Leerlauf / Nenn-Spindeldrehzahl)	m/s <sup>2</sup>	2,7				
Abweichung (K)	m/s <sup>2</sup>	2,0				
- Hinterer Griff (Leerlauf / Nenn-Spindeldrehzahl)	m/s <sup>2</sup>	1,8				
Abweichung (K)	m/s <sup>2</sup>	2,0				
Aufnahmedorn-Durchmesser	mm	20,0	25,4	20,0	25,4	
Spindeldurchmesser	mm	17		17 oder 25,4 <sup>4)</sup>		
Minimaler Flansch-Außendurchmesser	mm	102				
Max. Schnitttiefe	mm	97		122		
Trennschleiferabmessungen (Gesamtlänge x Gesamtbreite x Gesamthöhe)		761 mm x 310 mm x 435 mm		780 mm x 310 mm x 455 mm		
Keilriemen-Nr.	Nr.	225094-6				
Gesamtgewicht (leere Tanks, ohne Trennscheibe)	kg	12,7		12,9		

1) Umfangsgeschwindigkeit bei max. Motordrehzahl

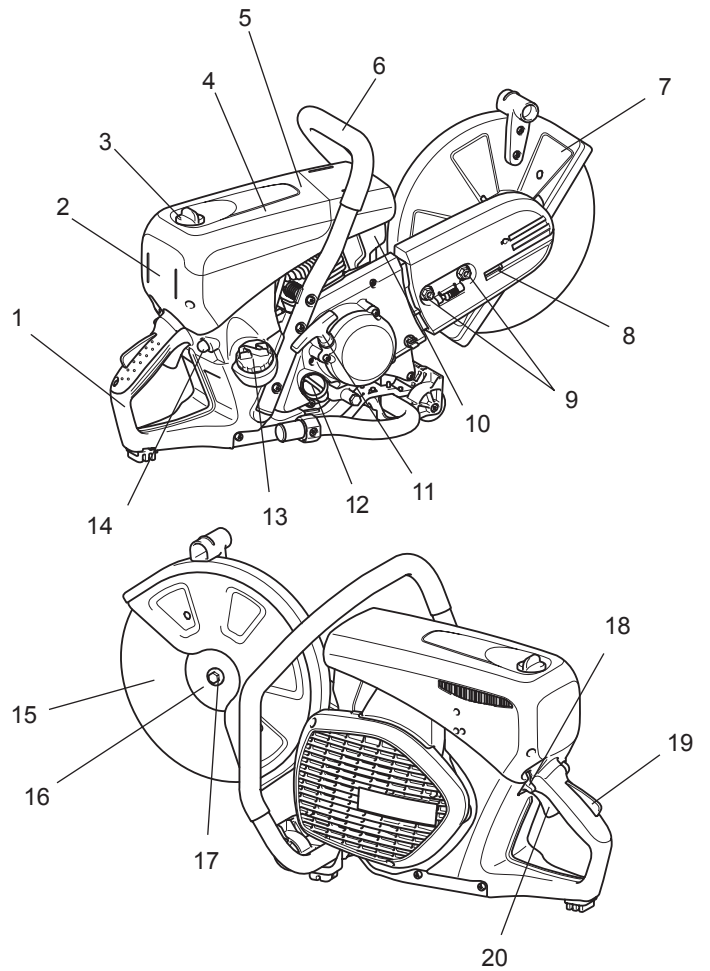
2) Außendurchmesser / Aufnahmedorn / Dicke

3) Am Arbeitsplatz (am Ohr des Bedieners)

4) Länderspezifisch

## Bezeichnung der Bauteile

1. Hinterer Griff
2. Filterabdeckung
3. Sicherungsschraube
4. Obere Abdeckung für Luftfilter und Zündkerzenabdeckung
5. Obere Abdeckung
6. Vorderer Griff
7. Schutzhaube
8. Spanschraube
9. Sechskantmutter
10. Schalldämpfer
11. Startergriff
12. Öltankdeckel
13. Deckel Kraftstofftank
14. Kraftstoffpumpe (Ansaugpumpe)
15. Trennscheibe
16. Außenflansch
17. Sechskantschraube
18. Schalter
19. Sicherheits-Arretiertaste
20. Gashebel

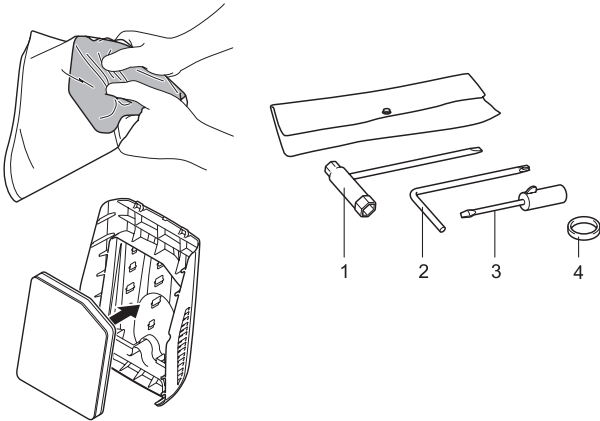




## INBETRIEBNAHME

**⚠ ACHTUNG:**  
Schalten Sie den Motor stets aus und ziehen Sie die Zündkerzenkappe heraus, bevor Sie Arbeiten am Trennschleifer durchführen! Tragen Sie immer Schutzhandschuhe!

**⚠ ACHTUNG:**  
Starten Sie den Trennschleifer nur nach vollständiger Montage und Inspektion.

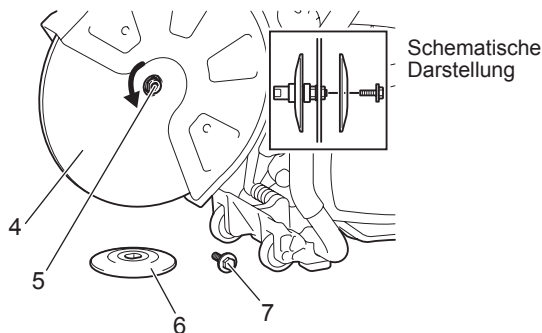


Verwenden Sie für die folgenden Arbeiten die mitgelieferten Montagewerkzeuge:

1. 13/16 AF Ring-Maulschlüssel
2. Stern-Maulschlüssel
3. Vergaser-Einstellschraubendreher
4. Adapterring

Platzieren Sie den Trennschleifer auf einer stabilen Fläche und führen Sie die folgenden Montageschritte durch:

**⚠ Der Luftfilter ist noch nicht montiert!**  
Drücken Sie vor Betrieb des Werkzeugs den mitgelieferten Filter mehrere Male zusammen, damit sich das Öl gleichmäßig im gesamten Filter verteilt. Setzen Sie einen geölten Schaumstofffilter (Vorfilter) ein, wie in der nebenstehenden Abbildung dargestellt. Nehmen Sie dazu die Filterabdeckung ab (siehe Kapitel „Reinigen bzw. Tauschen des Luftfilters“).



## Montieren der Trennscheibe

- ⚠ WARNUNG:**
- Stellen Sie beim Einbauen einer Diamant-Trennscheibe sicher, dass Sie diese so montieren, dass der Pfeil in die gleiche Richtung zeigt, wie sich der Außenflansch dreht (6). Montieren der Diamant-Trennscheibe (4) mit dem Pfeil in die entgegengesetzte Richtung zur Radabdeckung führt zum Splittern der Scheibenkante und zu Verletzungen.
  - Verwenden Sie zum Installieren einer Trennscheibe (4) stets den Ring, der dem Bohrloch der Trennscheibe und dem Durchmesser der Spindel entspricht (5). Werden nicht zum Gegenstück passende Ringe verwendet, kann das Werkzeug vibrieren und schwere Personenschäden verursachen.
  - Verwenden Sie Trennscheiben nur mit dem Bohrloch, das mit dem Durchmesser der Ringe übereinstimmt. Werden nicht zum Gegenstück passende Scheiben verwendet, kann das Werkzeug vibrieren und schwere Personenschäden verursachen.
  - Prüfen Sie die Trennscheibe auf Schäden. (Siehe Abschnitt „Trennscheiben“ unter den „ARBEITSSCHUTZ“.)

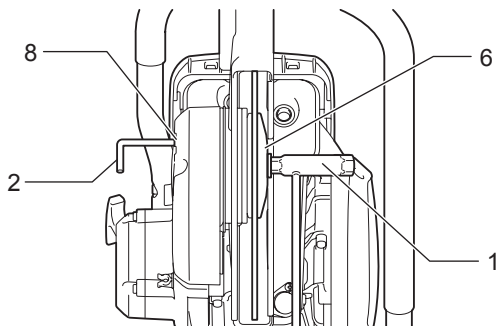
1. Setzen Sie den Stern-Maulschlüssel (2) in das Loch (8) ein, um zu verhindern, dass sich die Spindel (5) dreht.

**HINWEIS:** Wenn in dem Loch im Werkzeug der Halter für das Druckwassersystem installiert ist, entfernen Sie diesen, bevor Sie die Trennscheibe montieren.

2. Während Sie den Schlüssel (2) in dieser Position halten, drehen Sie mit dem mitgelieferten Ring-Maulschlüssel (1) den Bolzen (7) zur Sicherung der Scheibe entgegen dem Uhrzeigersinn und entfernen Sie den Bolzen (7) und den Außenflansch (6).
3. Montieren Sie eine Diamant-Trennscheibe / Trennschleifscheibe (4) auf dem Aufnahmedorn (5). Setzen Sie anschließend den Außenflansch (6) so auf die Spindel, dass die zwei parallelen, ebenen Flächen am Außenflansch zur ebenen Fläche der Spindel passen und ziehen Sie den Bolzen im Uhrzeigersinne fest an.

Zum Installieren einer Trennscheibe montieren Sie einen Ring mit dem gleichen passenden Durchmesser wie das Scheibenbohrloch und der mitgelieferte O-Ring, um den Ring vor der Installation einer Diamant-Trennscheibe auf der Spindel zu halten. Installieren Sie anschließend die Trennscheibe.

**HINWEIS:** Ziehen Sie die Sechskantschraube sicher fest (25 – 31 Nm), da sonst die Trennscheibe während des Scheidens wegrutschen kann.



## Festziehen des Keilriemens / Prüfen der Keilriemenspannung

### WICHTIG:

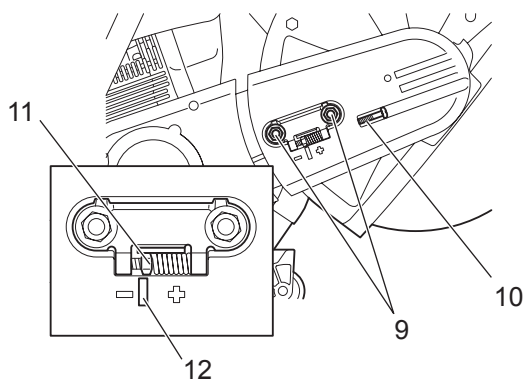
Eine genaue Keilriemenspannung ist für eine maximale Schneidleistung mit minimalem Kraftstoffverbrauch wesentlich. Eine unzureichende Keilriemenspannung führt zu einem vorzeitigen Verschleiß des Keilriemens und Keilriemenrads oder zur Beschädigung des Kupplungslagers.



**HINWEIS:** Die zwei Sechskanutmutter (9) müssen vor dem Spannen des Keilriemens oder dem Prüfen der Spannung gelöst werden.

Zum Erhöhen der Riemenpannung drehen Sie die Spansschraube (10) mit dem mit dem Trennschleifer mitgelieferten Ring-Maulschlüssel nach rechts (im Uhrzeigersinn).

Die Riemenpannung ist korrekt eingestellt, wenn sich die Mutter (11) wie in der Abbildung dargestellt im Vergleich zur Position der Markierung (12) befindet.



### WICHTIG:

- Stellen Sie dem Spannen /Überprüfen sicher, dass Sie die Sechskanutmutter (9) festziehen (25 – 31 Nm).
- Nehmen Sie die Einstellung der Riemenpannung nicht am heißen Werkzeug vor. Es besteht Verbrennungsgefahr.

## Vor dem Betrieb

### 1. Prüfen / Auffüllen des Motoröls

- Prüfen Sie wie folgt das Motoröl bei kaltem Motor und füllen Sie Öl auf.
  - Positionieren Sie den Motor auf einer flachen Fläche und prüfen Sie, ob sich der Ölstand innerhalb des Bereichs MAX – MIN am Öltank befindet.
  - Falls zu wenig Öl enthalten ist (nahe der Markierung MIN des Öltanks), füllen Sie den Öltank mit Öl bis zur Markierung MAX.
  - Die Ölmenge kann von außen geprüft werden, ohne dass der Öldeckel abgenommen werden muss, da der Ölstand von außen durch das Markierungsfenster zu sehen ist.
  - Als Referenz: Öl muss aller zehn Betriebsstunden aufgefüllt werden (ein Tank Öl für zehn Kraftstoffbetankungen).
  - Wechseln Sie extrem verschmutztes oder verfärbtes Öl aus.
- <Empfohlenes Öl> ..... Verwenden Sie ein SAE 10W-30-Öl API-Klassifikation, Klasse SF oder höher (4-Viertaktmotoröl für Autos).
- <Ölmenge> ..... 0,22 l (220 ml)

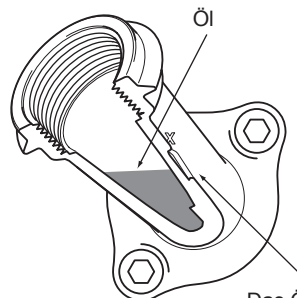
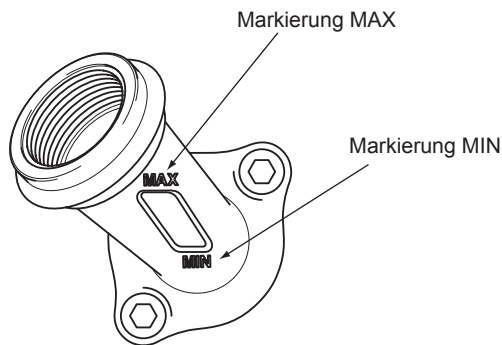
### HINWEIS:

- Falls der Motor nicht in einer aufrechten Position gelagert wird, zirkuliert Öl durch den Motor, das heißt, es befindet sich beim Auffüllen übermäßig Öl im Trennschleifer.
- Falls der Ölstand die Markierung MAX übersteigt, kann schmutziger oder weißer Rauch austreten.

### Punkt 1 für den Ölwechsel <Öldeckel>

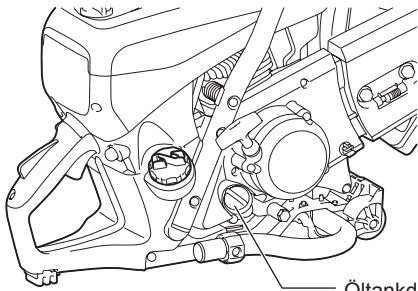
Intervall für den Ölwechsel: Zu Beginn aller 20 Betriebsstunden und anschließend aller 30 Betriebsstunden.

- Entfernen Sie den Schmutz um den Öleinfüllstutzen und entfernen Sie anschließend den Öldeckel.
- Legen Sie den Öldeckel an einem Platz ab, wo kein Sand oder Schmutz am Deckel anhaften kann. Wenn der Öldeckel verschmutzt wieder angebracht wird, verschlechtert sich die Ölzirkulation und Motorteile verschleifen, was zu mechanischen Ausfällen führen kann.

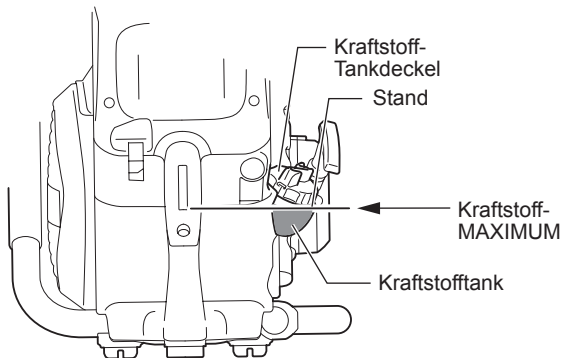
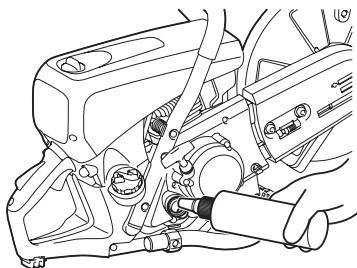


Das Öl ist von hier sichtbar, daher können die Markierungen MAX und MIN zur Prüfung der Ölmenge verwendet werden.





Öltankdeckel



- (1) Platzieren Sie den Motor auf einer ebenen Fläche und nehmen Sie den Öldeckel ab.
- (2) Füllen Sie Öl bis zur Basis des Ölnachfüllstutzens auf. Verwenden Sie zum Nachfüllen einen geeigneten Schmiermittel-Nachfüllcontainer.
- (3) Ziehen Sie den Öldeckel fest. Falls der Öldeckel lose ist, kann Öl austreten.

**Punkt 2 für den Ölwechsel <Was ist zu tun, wenn Öl verschüttet wird>**

Falls Öl zwischen Kraftstofftank und Motor verschüttet und der Trennschleifer betrieben wird, wird das Öl über den Kühllufteinlass eingesogen und kann zu Verschmutzungen führen. Wischen Sie verschüttetes Öl stets ab, bevor Sie den Trennschleifer betreiben.

**2. Auftanken**

**⚠ WARNUNG:**

- **Beachten Sie beim Auftanken stets die folgenden Punkte. Andernfalls können Flammen oder Brände entstehen.**
  - Füllen Sie fern von Flammen nach. Rauchen Sie nicht und bringen Sie keinerlei Flammen in die Nähe des Kraftstoffs oder zu befüllenden Trennschleifers.
  - Stoppen Sie den Motor und lassen Sie ihn vor dem Betanken abkühlen.
  - Öffnen Sie den Tankdeckel stets langsam, damit der innere Druck in kontrollierter Weise austreten kann. Bei Zuwiderhandlungen kann Kraftstoff aufgrund des Innendrucks heraussprühen.
  - Achten Sie darauf, keinen Kraftstoff zu verschütten. Falls Kraftstoff verschüttet wurde, wischen Sie diesen vollständig weg.
  - Betanken Sie an einem gut belüfteten Ort.
- **Gehen Sie stets sehr sorgsam mit Kraftstoff um.**
  - Falls Ihre Haut und / oder Augen in Kontakt mit Kraftstoff kommen, können allergische Reaktionen und / oder Entzündungen verursacht werden. Holen Sie im Falle solcher allergischer Reaktionen und / oder Entzündungen usw. sofort medizinischen Rat von einem Facharzt.

**<Aufbewahrungszeitraum für Kraftstoff>**

Als Grundregel sollte Kraftstoff in einem ordentlichen Kraftstoffkanister an einem schattigen Ort mit guter Belüftung aufbewahrt und innerhalb von vier Wochen verbraucht werden. Falls kein ordentlicher Kanister verwendet wird, oder falls der Kanister nicht verschlossen und es Sommer ist, kann der Kraftstoff innerhalb eines Tages zerfallen.

**Lagerung des Trennschleifers und des Kraftstoffkanisters**

- Lagern Sie den Trennschleifer und den Kraftstoffkanister an einem kühlen Ort ohne direkte Sonneneinstrahlung.
- Lassen Sie einen gefüllten Trennschleifer Kraftstoffkanister nicht im Auto oder Kofferraum (Gepäckraum).

**<Kraftstoff>**

Der Motor ist ein Vier-Takt-Motor, verwenden Sie Autobenzin (normales Benzin), um den Motor zu betreiben.

**Für Kraftstoff zu beachten**

- Verwenden Sie kein Benzingemisch (Motoröl gemischt mit Benzin). Dies führt zu Kohlenstoffansammlungen und mechanischem Ausfall.
- Die Verwendung alten Kraftstoffs führt möglicherweise zu einem schlechten Anlaufen des Motors.

**<Auftanken>**

Stoppen Sie den Motor stets und lassen Sie ihn vor dem Betanken abkühlen.

**<Verwendbares Benzin> ..... Fahrzeugbenzin**

- Lösen Sie langsam den Tankdeckel, um den Druck entgegenzuwirken und so den äußeren und inneren Luftdruck ausgleichen zu lassen.
- Nehmen Sie den Tankdeckel ab und tanken Sie. (Tanken Sie nicht bis zur Oberkante des Tankstutzens.)
- Schrauben Sie nach dem Auftanken den Tankdeckel sicher fest.
- Der Tankdeckel ist ein Verbrauchsprodukt. Tauschen Sie den Deckel daher aus, wenn Zeichen von Verschleiß oder andere Abnormalitäten zu sehen sind. (Faustregel: Ersetzen Sie den Tankdeckel alle zwei bis drei Jahre.)



# Betrieb

## Starten

### ⚠ WARNUNG:

Starten Sie den Motor nicht an Plätzen, an denen betankt wurde. Bewegen Sie sich mindestens 3 m von dem Platz des Betankens des Trennschleifers weg.

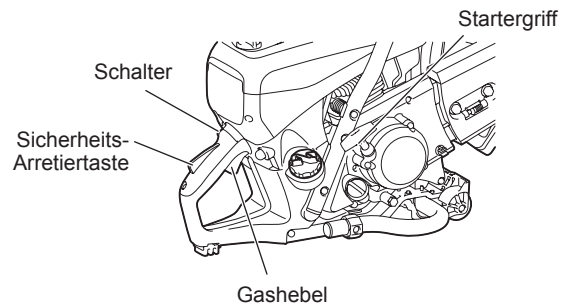
- Andernfalls können Flammen oder Brände entstehen.

### ⚠ ACHTUNG:


Vergewissern Sie sich vor dem Starten des Motors, dass die Trennscheibe weder den Boden noch andere Gegenstände berührt.

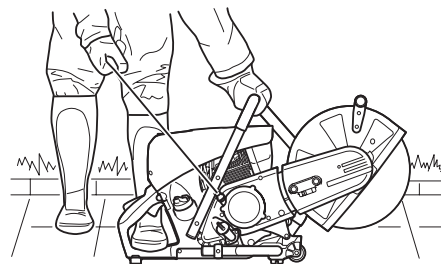
- Falls die Trennscheibe den Boden oder andere Gegenstände berührt, kann dies einen Unfall verursachen.

Sobald der Motor startet, dreht sich die Trennscheibe, achten Sie daher besonders auf Personen und Gegenstände in der Nähe.



### 1. Kaltstart

- (1) Drücken Sie die Anlasspumpe wiederholt, bis Kraftstoff in diese eintritt.
- (2) Kippen Sie den Schalter in Richtung  (Choke).
- (3) Halten Sie den hinteren Griff mit einem Fuß unten und halten Sie den Bügelgriff sicher mit einer Hand unten.
- (4) Ziehen Sie kräftig wiederholt am Startergriff, bis das erste Zündungsgeräusch zu hören ist.



### Warmlaufen

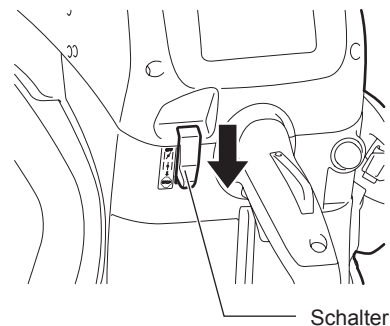
- Nach dem Start des Motors halten Sie den Sicherheitshebel gedrückt und drücken Sie den Gashebel für eine oder zwei Minuten immer wieder, um den Motor warm laufen zu lassen.
- Wenn sich die Motordrehzahl stabilisiert und die Drehzahl langsam von niedrig auf hoch steigt, ist der Motor aufgewärmt.

### 2. Starten bei warmem Motor


Drücken Sie die Ansaugpumpe mehrere Male. Positionieren Sie von Beginn an den Schalter in der Position [I] (Betrieb) und starten Sie den Motor mittels Punkt (3) der obigen Vorgehensweise 1.


### HINWEIS:

- Wiederholtes Ziehen und Loslassen des Startergriffs mit dem Schalter in der Position Choke flutet den Motor mit Kraftstoff und erschwert das Starten.
- Drücken Sie niemals den Gashebel, wenn der Motor stoppt. Unnötiges Betätigen des Gashebels bei gestopptem Motor flutet den Motor mit Kraftstoff und erschwert das Starten.
- Falls zu viel Kraftstoff in den Motor gelangt ist, bauen Sie die Zündkerze aus und ziehen Sie langsam mehrere Male am Startergriff, um den überschüssigen Kraftstoff zu entfernen. Trocknen Sie außerdem die Elektroden der Zündkerze.
- Ziehen Sie den Startgriff nicht bis zum Ende des Seils, da dadurch die Lebenszeit des Seils verkürzt wird. Führen Sie außerdem den Startergriff langsam zurück, lassen Sie den Griff nicht plötzlich los.
- Vermeiden Sie einen Betrieb des Trennschleifers bei maximaler Leerlaufgeschwindigkeit, da dadurch die Lebenszeit des Motors verkürzt wird.



### 3. Stoppen

Zum Stoppen des Motors lassen Sie den Gashebel los und stellen Sie den Schalter in die Position  (Stopp).

Wenn der Choke-Hebel fälschlicherweise in die Position  gebracht wurde, um den Motor zu stoppen, geben Sie beim erneuten Starten des Motors Halbgas.

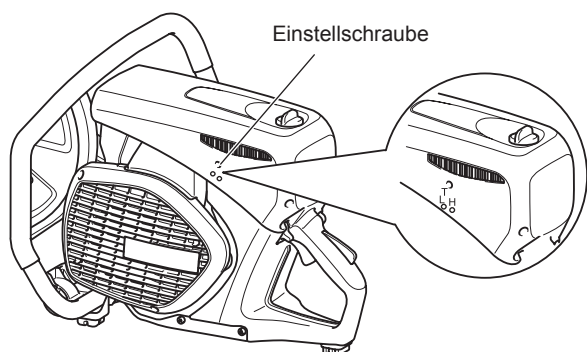
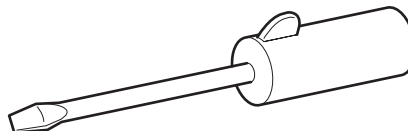
## Einstellen des Vergasers



**HINWEIS:** Dieser Motor ist mit einer elektronischen Zündung zur Begrenzung der Drehzahl ausgestattet. Der Vergaser hat ebenfalls einen festen Ausstoß, der nicht angepasst werden kann.  
Werkseitig wurde die Leerlaufdrehzahl auf ca. 2.600 min<sup>-1</sup> eingestellt, jedoch kann im Einlaufprozess eines neuen Motors eine geringfügige Neuanpassung der Leerlaufgeschwindigkeit erforderlich sein.

Stellen Sie die Leerlaufdrehzahl mit einem Schraubendreher ein (Breite: 4 mm).

Ein Schraubendreher mit einer angesetzten Lasche (Sonderzubehör) ist für die Anpassung nützlich.



### 4. Einstellen der Leerlaufdrehzahl

**ACHTUNG:** Die Vergasereinstellung darf nur von einer Fachkraft in einem MAKITA-Servicecenter vorgenommen werden!

Nehmen Sie keine Anpassungen an den Einstellschrauben (H) und (L) ohne Tachometer vor! Fehlerhafte Einstellungen können den Motor beschädigen!

Ein Tachometer wird für die Anpassungen der Einstellschrauben (H) und (L) benötigt, da sich der Motor bei Betrieb bei maximaler Nenndrehzahl überhitzen und Schmiermittel auslaufen kann. Dadurch kann der Motor beschädigt werden!

Nur die Einstellschraube (T) kann vom Bediener verändert werden. Falls sich die Trennscheibe im Leerlauf befindet (z. B. ist der Gashebel nicht gedrückt), muss die Leerlaufdrehzahl korrigiert werden!

Eine Anpassung der Leerlaufdrehzahl darf nur vorgenommen werden, wenn der Motor warm und der Luftfilter sauber ist.

Verwenden Sie für die Anpassungen der Leerlaufdrehzahl einen Schraubendreher (Breite: 4 mm).

## WARTUNG

**ACHTUNG:**

- **Stoppen Sie den Motor, bevor Sie irgendwelche Arbeiten am Trennschleifer vornehmen, lassen Sie den Motor abkühlen, entfernen Sie die Trennscheibe, ziehen Sie Kappe von der Zündkerze und tragen Sie Schutzhandschuhe!**

Das Ausführen von Wartungsarbeiten direkt nach dem Stoppen des Motors oder mit der Kappe auf der Zündkerze kann Verbrennungen am heißen Motor oder Verletzungen durch einen unerwarteten Start verursachen.

- **Starten Sie den Trennschleifer nur nach vollständiger Montage und Inspektion.**
- Verwenden Sie zum Reinigen niemals Kraftstoffe, Benzin, Verdünnern, Alkohol oder ähnliches. Dies kann zu Verfärbungen, Verformungen oder Rissen führen.

**HINWEIS:**

- Wischen Sie Schmutz von Trennschleifer und wählen Sie anschließend einen sauberen Arbeitsplatz, um Wartungsarbeiten auszuführen.





## SERVICE

### WICHTIG:

Da viele der Teile und Baugruppen nicht in dieser Bedienungsanleitung aufgeführt, aber für die Sicherheit des Geräts vital sind, und da alle Teile einem bestimmten Verschleiß unterliegen, ist es für Ihre eigene Sicherheit wichtig, dass Sie das Gerät regelmäßig in einem MAKITA-Servicecenter prüfen und warten lassen.

### WICHTIG:

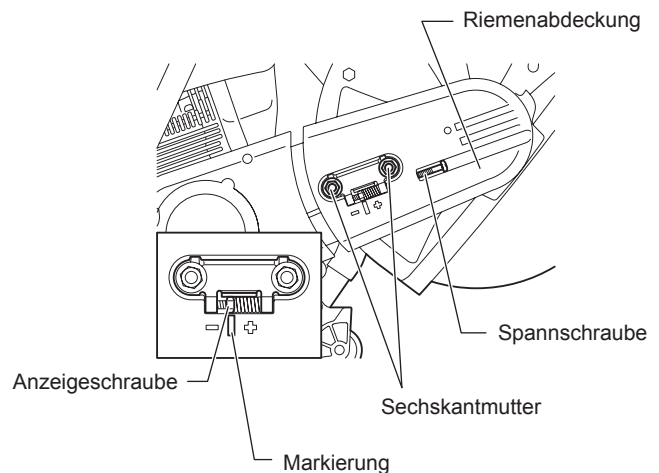


Falls die Trennscheibe während des Schneidens bricht, muss der Trennschleifer von einem MAKITA-Servicecenter vor der nächsten Verwendung repariert werden!

## Keilriemen

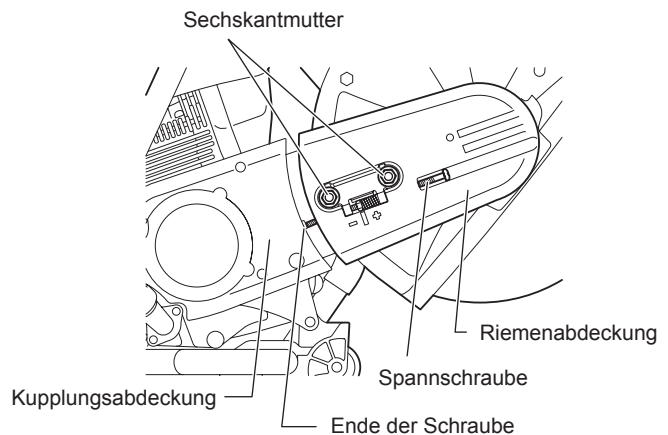
### 1. Einstellen der Keilriemenspannung

- Falls die Trennscheibe bei mittlerem Betrieb einfach anhält, hat der Keilriemen keine Spannung mehr. Ist dies der Fall, stellen Sie anhand der folgenden Vorgehensweise die Spannung ein.
- Lösen Sie die Befestigungsmuttern der Riemenabdeckung.
  - Drehen Sie die Spannungs-Einstellschraube nach rechts (im Uhrzeigersinn), bis die Anzeigeschraube die markierte Position erreicht, um die Spannung des Keilriemens zu erhöhen.
  - Nach dem Einstellen der Keilriemenspannung ziehen Sie die Befestigungsmuttern der Riemenabdeckung wieder fest.
- Falls die Trennscheibe einfach stoppt, auch wenn die Spannung des Keilriemens angepasst wurde oder der Keilriemen reißt, setzen Sie einen neuen Keilriemen ein.



### 2. Tauschen des Keilriemens

- Lösen Sie die Befestigungsmutter und drehen Sie die Spannungs-Einstellschraube nach links, bis das Ende der Schraube sichtbar ist.
- Entfernen Sie die Befestigungsmuttern und anschließend die Riemenabdeckung.
- Entfernen Sie als nächstes die drei Montageschrauben und die Kupplungsabdeckung.
- Entfernen Sie den alten Keilriemen und passen Sie einen neuen Keilriemen ein. Montieren Sie jetzt wieder die Kupplungsabdeckung und danach die Riemenabdeckung.
- Passen Sie die Spannung an, wie in Abschnitt „Einstellen der Keilriemenspannung“ gezeigt.



## Reinigen der Schutzhaube

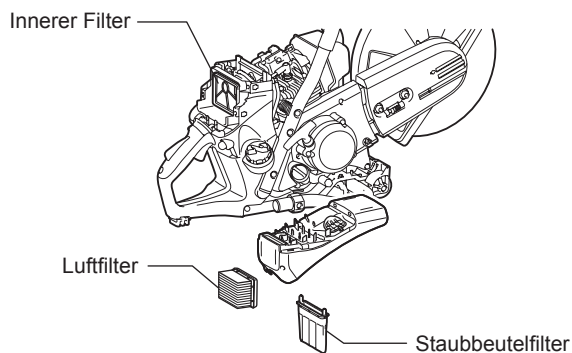
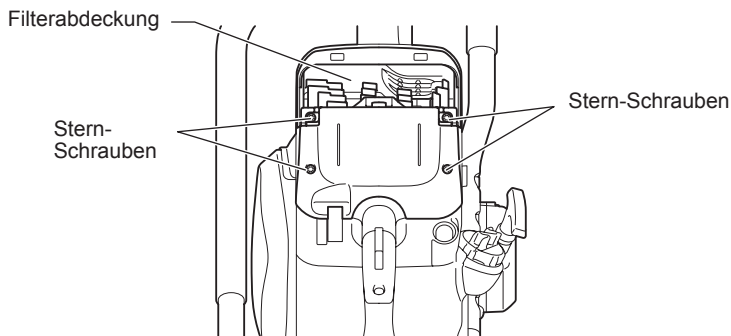
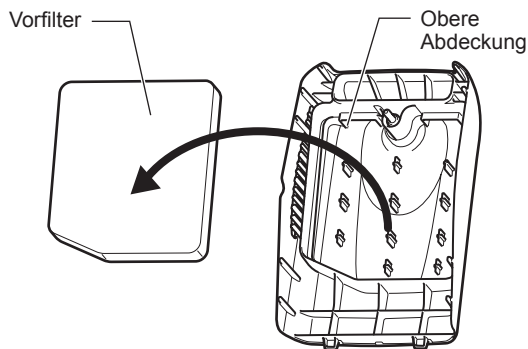
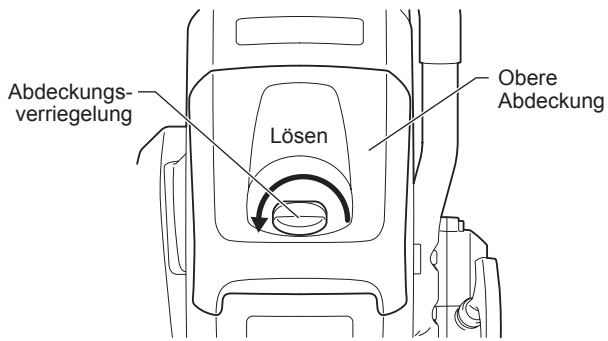
Mit der Zeit können an der Innenseite der Schutzhaube Reststoffe (vor allem vom Nassschneiden) anbacken, die, falls sie sich ansammeln, die freie Rotation der Trennscheibe verhindern können. Aus diesem Grund muss die Haube von Zeit zu Zeit gereinigt werden.

Nehmen Sie die Trennscheibe heraus und entfernen Sie das angesammelte Material von der Innenseite der Haube mit einem Holzstreifen oder ähnlichem.

Reinigen Sie den Schaft und alle demontierten Teile mit einem Tuch.

**HINWEIS:** Weitere Informationen zum Installieren der Trennscheibe finden Sie unter „Montieren der Trennscheibe“.



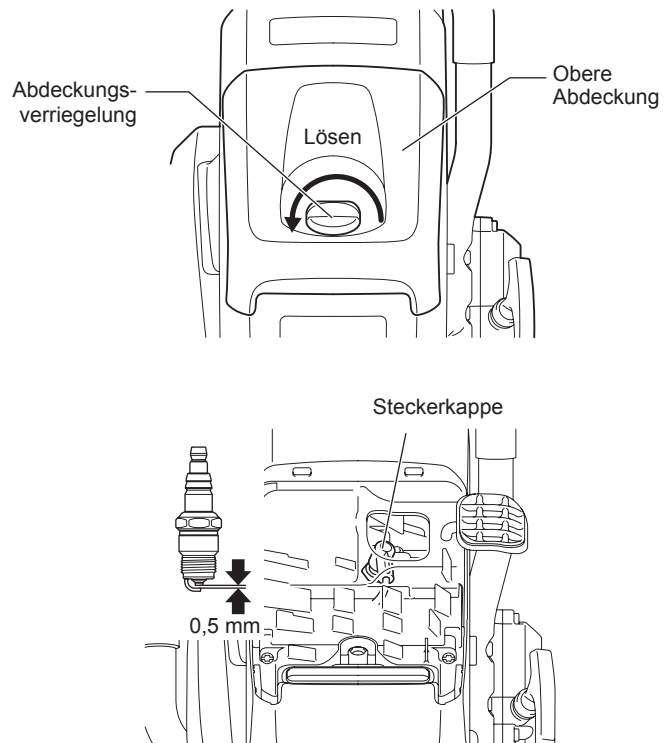


## Reinigen bzw. Tauschen des Luftfilters

- Falls der Luftfilter verstopft wird, kann dies eine verschlechterte Motorleistung verursachen. Reinigen Sie daher nach jeder Verwendung des Trennschleifers den Luftfilter in folgender Weise.
- Drehen Sie die Abdeckungsverriegelung nach links und nehmen Sie sie ab.
- Entfernen Sie die oberste Abdeckung, nachdem Sie den Staub von dieser weggeblasen haben.
- Entfernen Sie anschließend den Vorfilter.
- Entfernen Sie die vier Stern-Schrauben.
- Entfernen Sie die Filterabdeckung.
- Entfernen Sie den Luftfilter.
- Entfernen Sie den Staubbeutelfilter von der Filterabdeckung und reinigen Sie den Filter durch vorsichtiges Klopfen und Abblasen.
- Klopfen und blasen Sie leicht auf den Innenfilter, um Staub und Schmutz zu entfernen. Waschen Sie regelmäßig den Innenfilter in Seifenwasser und trocknen Sie ihn gründlich.
- Zum Reinigen des Luftfilters klopfen Sie ihn leicht. Falls Sie einen Kompressor verwenden, blasen Sie Druckluft auf die Innenseite des Luftfilters. Waschen Sie den Luftfilter nicht in Wasser aus.
- Blasen Sie den Staub von den Filtern.
- Montieren Sie den Luftfilter nach Abschluss der Reinigung wieder an die Filterabdeckung.
- Befestigen Sie die Abdeckungsverriegelung ordnungsgemäß.

## Wartung der Zündkerzenstecker

- (1) Lösen der Abdeckungsverriegelung und entfernen der oberen Abdeckung.
- (2) Öffnen Sie die Zündkerzenabdeckung, nehmen Sie die Kappe ab und entfernen Sie die Zündkerze.
- (3) Prüfen Sie, ob der Elektrodenspalt 0,5 mm beträgt. Wenn der Abstand zu klein oder zu groß ist, stellen Sie 0,5 mm ein.
- (4) Falls sich Kohlenstoff und/oder Schmutz an der Zündkerze angesammelt hat, reinigen Sie diese und bauen Sie sie wieder ein. Eine exzessiv verschlissene oder angekokelte Zündkerze sollte durch eine neue ersetzt werden.
- (5) Befestigen Sie nach dem Ausführen von Wartungsarbeiten an der Zündkerze die Steckerkappe und sichern Sie diese anschließend.



## Austauschen des Ansaugkopfs

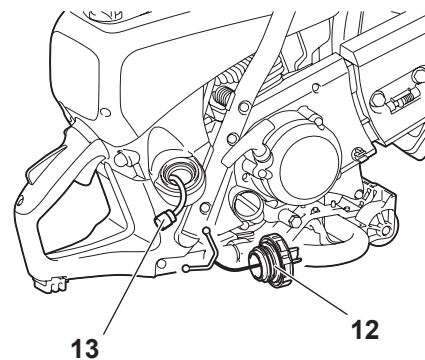
Der Kraftstofftank-Filter (13) des Ansaugkopfes kann verstopfen. Es wird empfohlen, den Ansaugkopf alle drei Monate auszutauschen, um einen ungehinderten Kraftstofffluss zum Vergaser zu gewährleisten.

Schrauben Sie den Tankdeckel (12) ab und ziehen Sie den Schadensverhütungstopper heraus.

Leeren Sie den Kraftstofftank.

Zum Austauschen des Ansaugkopfes ziehen ihn mit einem Stück zu einem Haken gebogenen Draht durch den Tankfüllstutzen heraus.

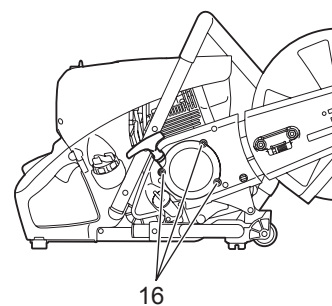
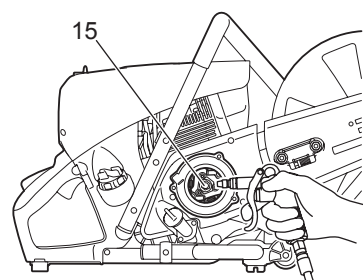
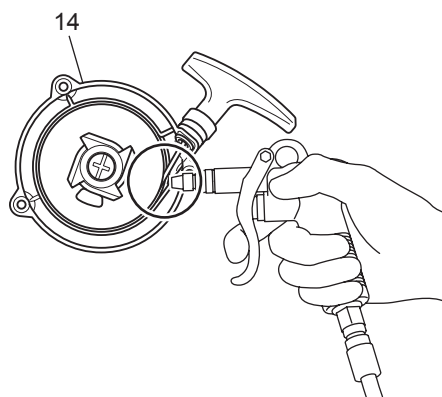
**⚠ ACHTUNG:** Verhindern Sie, dass Kraftstoff nicht in Kontakt mit Ihrer Haut kommen!



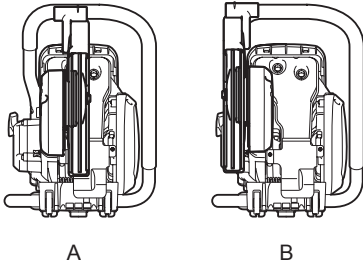
## Reinigen des Starters

Wenn der Starter nicht ordnungsgemäß funktioniert, wenn das Starterseil beispielsweise nicht in die Ausgangsposition zurückkehrt, muss der Staub aus dem Starter **(14)** und der Kupplung **(15)** geblasen werden.

Zum Reinigen des Starters und der Kupplung entfernen Sie für den Zugang die drei Schrauben **(16)**.



## Montagerichtung



## Ändern der Position der Trennerbefestigung (mittig/seitlich)

### Montagerichtung der Haube

- Die Trennerbefestigung des Trennschleifers ist in der in Abbildung A gezeigten Richtung montiert. Montieren Sie, falls gewünscht, anhand der folgenden Vorgehensweise die Befestigung in die in Abbildung B gezeigte Richtung.

### Montieren in Richtung B

- Lösen Sie die Befestigungsmutter und drehen Sie die Spannungs-Einstellschraube nach links, bis das Ende der Schraube sichtbar ist. (Abb. 1)
- Entfernen Sie die Befestigungsmuttern und die Riemenabdeckung. (Abb. 1)
- Drehen Sie die Haube zur Position der Strichlinie. Entfernen Sie den Keilriemen und anschließend die Trennerbefestigung vom Trennschleifer. Positionieren Sie den Griff neu. (Abb. 2)
- Nehmen Sie die Arretierspindel mit einem Schlitzschraubendreher oder einer Zange auf. (Abb. 3)
- Drehen Sie den Arm, bis dieser den Griff berührt, und drehen Sie die Arretierspindel von Hand in die ursprüngliche Position. (Abb. 4)
- Positionieren Sie den Griff neu. (Abb. 5)
- Wenden Sie die entfernte Trennerbefestigung, führen Sie den Bolzen durch das Loch und montieren Sie sie wieder in Richtung B. Montieren Sie den Keilriemen wieder auf der Riemenscheibe. (Abb. 6)
- Montieren Sie die Riemenabdeckung. (Abb. 7)
- Drehen Sie die Einstellschraube für die Spannung, um die Spannung des Keilriemens einzustellen. Ziehen Sie nach dem Einstellen der Spannung die Befestigungsmutter sicher fest.

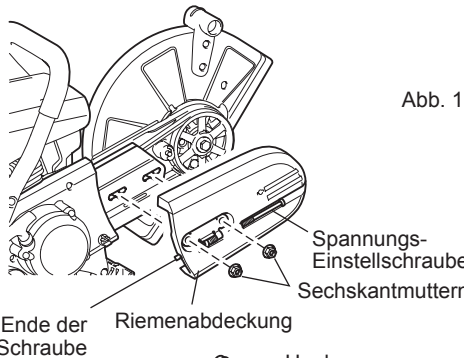


Abb. 1

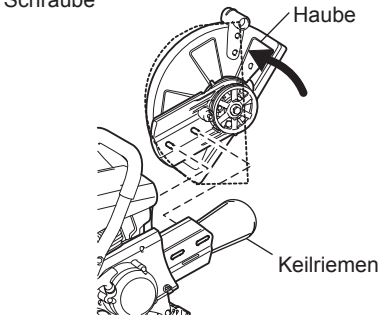


Abb. 2

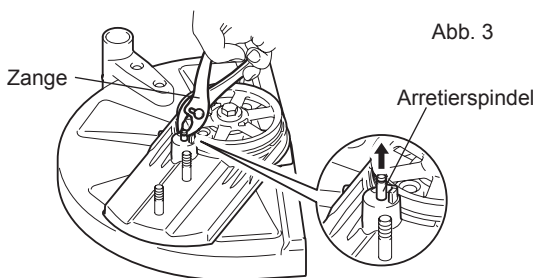


Abb. 3

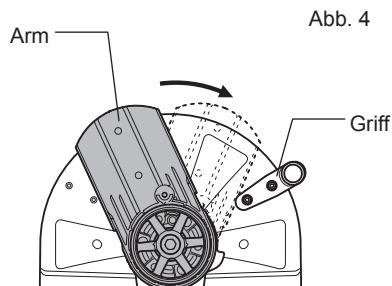


Abb. 4

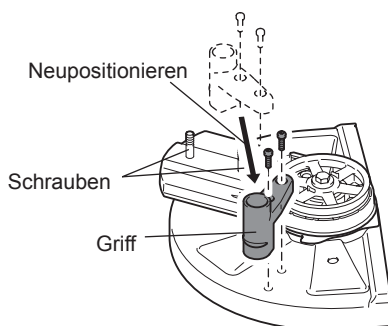


Abb. 5

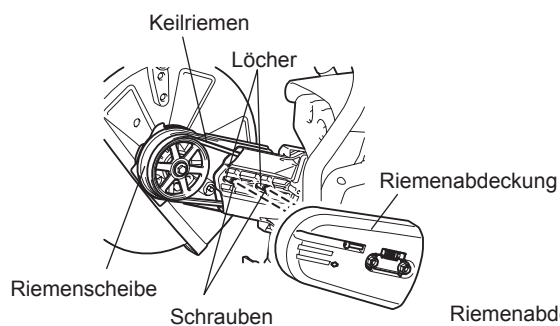


Abb. 6

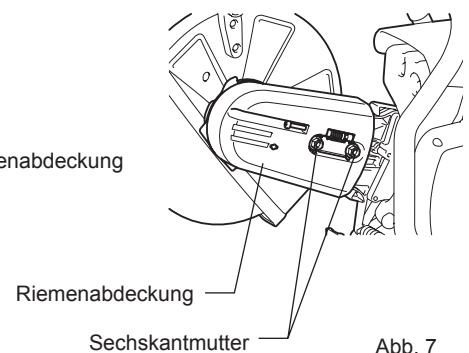


Abb. 7



## SONDERZUBEHÖR

### Diamant-Trennscheiben

Diamant-Trennscheiben von MAKITA genügen den höchsten Ansprüchen hinsichtlich Arbeitssicherheit, einfacher Bedienung und ökonomischer Schneidleistung. Sie können zum Schneiden aller Materialien, **außer Metall** verwendet werden.

Die hohe Haltbarkeit der Diamantkörner gewährleistet einen niedrigen Verschleiß und daher eine sehr lange Lebenszeit mit nahezu keiner Änderung des Scheibendurchmessers. Dies ermöglicht eine konsistente Schneidleistung und ist somit sehr ökonomisch. Die herausragenden Schneidqualitäten der Scheibe vereinfachen den Schneidvorgang.

Die Metallscheiben ermöglichen einen äußerst konzentrischen Lauf mit minimaler Vibration während der Verwendung.

Die Verwendung von Diamant-Trennscheiben verkürzt die Schneidzeit erheblich.

Dies wiederum führt zu niedrigeren Betriebskosten (Kraftstoffverbrauch, Teileverschleiß, Reparaturen und schließlich Umweltschäden).

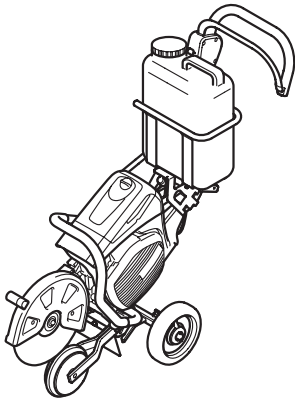
### Führungswagen

Der Führungswagen von MAKITA erleichtert gerade Schnitte, während Sie gleichzeitig nahezu ohne Ermüdung arbeiten. Dieser kann auf die Größe des Bedieners eingestellt und mit der Trennerbefestigung in der mittigen oder seitlichen Position bedient werden.

Eine Tiefenbegrenzung kann für ein einfacheres und akkurateres Schneiden angefügt werden. Dadurch kann eine präzise, vorher festgelegte Schnitttiefe gehalten werden.

Für eine geringe Staubbildung und eine bessere Trennscheibenkühlung bietet MAKITA verschiedenes Zubehör zum Befeuchten der Scheibe während des Betriebs.

- Wagensatz  
Dies ist zum Schneiden schlechter Straßen nützlich.
- Filtersatz  
Vorfilter (5 Filter)  
Luftfilter (1 Filter)  
Staubbeutelfilter (1 Filter)



### Wassertank (Komponente des Wagens)

Der Wassertank ist für die Montage auf dem Führungswagen vorgesehen.

Durch das große Fassungsvermögen ist dieser für Situationen mit häufigen Standortwechseln geeignet. Zum Auffüllen oder schnellen Wechseln der Reservetanks kann der Tank einfach von dem Wagen gehoben werden.

Der Wassertank wird mit allen notwendigen Anschlüssen und Schläuchen geliefert. Die Montage des Wagens und des Trennschleifers ist sehr einfach und geht schnell.

### Haupt- / Druckwassersystem

Das Haupt- bzw. Druckwassersystem ist für die Montage auf dem Trennschleifer vorgesehen. Dieses System kann mit oder ohne Wagen verwendet werden, ist jedoch vor allem für Anwendungen mit stationären Schnitten von Hand geeignet. Die Wasserleitung hat einen Schnellkupplungsanschluss und kann entweder über die Hauptversorgung oder einen Drucktank (7) gespeist werden. Das Wassersystem wird mit allen notwendigen Anschlüssen und Leitungen geliefert. Es kann schnell und einfach auf den Trennschleifer montiert werden.

## Wartungsübersicht

Betriebsdauer Position		Vor Betrieb	Nach dem Betanken	Täglich (10 h)	20 h	30 h	50 h	200 h	Vor dem Lagern	Siehe Seite
Motorenöl	Inspizieren / Reinigen	○								66
	Wechseln					○*1				
Befestigungsteile (Mutter und Schraube)	Inspizieren	○								—
Kraftstofftank	Reinigen / Inspizieren	○								—
	Kraftstoff ablassen								○*3	61
Keilriemen	Inspizieren / Einstellen	○								70
Gashebel	Funktion überprüfen		○							—
Stopp-Schalter	Funktion überprüfen		○							68
Trennscheibe	Inspizieren	○		○						58
Leerlaufdrehzahl	Inspizieren / Einstellen			○						69
Luftfilter	Reinigen						○			71
Staubbeutelfilter	Reinigen / Ersetzen				○					71
Vorfilter	Reinigen / Ersetzen			○						71
Zündkerze	Inspizieren			○						72
Kühlungsluft-Zufuhr und Zylinder-rippen	Reinigen / Inspizieren			○						—
Kraftstoffleitung	Inspizieren			○						—
	Wechseln							◎*2		—
Kraftstofffilter	Reinigen / Ersetzen						○			72
Ventilöffnung (Einlassventil und Auslassventil)	Inspizieren / Einstellen							◎*2		—
Vergaser	Kraftstoff ablassen								○*3	61

\*1 Nehmen Sie den ersten Wechsel nach 20 Betriebsstunden vor.

\*2 Wenden Sie sich für eine Inspektion nach 200 Betriebsstunden an ein autorisiertes Servicezentrum oder eine autorisierte Werkstatt.

\*3 Lassen Sie den Motor nach dem Leeren des Kraftstofftanks weiterlaufen und leeren sie den Kraftstoff ebenfalls aus dem Vergaser.

## Fehlerposition

Problem	System	Beobachtung	Ursache
Trennscheibe beginnt nicht sich zu drehen	Kupplung	Motor läuft	Schaden an Kupplung
Motor startet nicht oder mit Schwierigkeiten	Zündungssystem	Zündfunken OK	Fehler der Kraftstoffversorgung oder des Verdichtungssystems, mechanischer Defekt
		Kein Zündfunke	STOPP-Schalter betätigt, Verdrahtung fehlerhaft oder kurzgeschlossen, Zündkerze oder Zündkerzenstecker defekt, Zündmodul fehlerhaft
	Kraftstoffzufuhr	Kraftstofftank gefüllt	Falsche Choke-Position, Vergaser defekt, Kraftstoff-Zufuhrleitung verbogen oder blockiert, Kraftstoff verschmutzt
	Verdichtungssystem	Keine Verdichtung beim Überziehen	Zylinderkopfdichtung defekt, Kurbelwellendichtungen beschädigt, Zylinder oder Kolbenringe defekt oder ungeeignete Zündkerzendichtung
Mechanischer Fehler Kupplung		Starter greift nicht ein	Gebrochene Starterfeder, gebrochene Teile innerhalb des Motors
		Verschmutzungen haften an der Kupplung und an anderen Teilen an	Sperrklinkenfeder verschmutzt und geöffnet; säubern
Warmstartprobleme	Vergaser	Tank gefüllt, Zündfunken vorhanden	Vergaser verschmutzt, wurde gereinigt
Motor startet, geht jedoch gleich wieder aus	Kraftstoffzufuhr	Tank gefüllt	Leerlaufdrehzahl nicht richtig eingestellt, Ansaugkopf oder Vergaser verschmutzt Kraftstoff-Tankventil defekt, Kraftstoff-Zufuhrleitung unterbrochen, Kabel oder STOPP-Schalter defekt
Unzureichende Leistung	Möglicherweise sind mehrere Systeme gleichzeitig betroffen	Motorleerlauf zu gering	Luftfilter verschmutzt, Vergaser verschmutzt, Schalldämpfer verstopft, Auslasskanal im Zylinder verstopft

# Fehlersuche

Überprüfen Sie ein Problem selbst, bevor Sie eine Reparatur anfordern. Falls eine Abnormalität auftritt, regeln Sie das Werkzeug anhand der Beschreibung in diesem Handbuch. Missbrauchen Sie das Werkzeug nicht und demontieren Sie keine Teile entgegen der Beschreibung. Wenden Sie sich für Reparaturen an ein autorisiertes Servicezentrum oder einen Vertreter vor Ort.

Abnormalitätsstatus	Mögliche Ursache (Fehlfunktion)	Abhilfe
Motor startet nicht	Ausfall des Betriebs der Ansaugpumpe	Drücken Sie 7 bis 10 Mal.
	Niedrige Ziehgeschwindigkeit des Starterseils	Ziehen Sie kräftig.
	Kraftstoffmangel	Führen Sie Kraftstoff zu.
	Verstopfter Kraftstofffilter	Reinigen
	Gebrochene Kraftstoffleitung	Begradigen Sie die Kraftstoffleitung.
	Zersetzter Kraftstoff	Zersetzter Kraftstoff erschwert das Starten. Ersetzen Sie diesen durch neuen. (empfohlener Ersatz nach 1 Monat)
	Übermäßige Kraftstoffansaugung	Stellen Sie den Gashebel von mittlerer Drehzahl auf hohe Drehzahl ein und ziehen Sie den Startergriff, bis der Motor startet. Nach dem Start des Motors beginnt sich die Trennscheibe zu drehen. Achten Sie auf die Trennscheibe. Falls der Motor nicht startet, entfernen Sie die Zündkerze, trocknen Sie die Elektrode ab und montieren Sie sie wieder wie vorher. Starten Sie wie angegeben.
	Entfernen des Zündkerzensteckers	Fest Anbringen
	Verschmutzter Zündkerzenstecker	Reinigen
	Abnormaler Abstand des Zündkerzensteckers	Einstellen des Abstandes
	Andere Abnormalität des Zündkerzensteckers	Austauschen
	Abnormaler Vergaser	Fordern Sie eine Inspektion und Wartung an.
	Starterseil kann nicht gezogen werden	Fordern Sie eine Inspektion und Wartung an.
	Abnormales Antriebssystem	Fordern Sie eine Inspektion und Wartung an.
Verschmutzung von Kupplung und andren Teilen	Reinigen	
Motor stoppt gleich Motordrehzahl erhöht sich nicht	Unzureichendes Aufwärmen	Führen Sie einen Aufwärmbetrieb durch.
	Choke-Hebel ist auf „H“ eingestellt, obwohl der Motor vorgewärmt wurde.	Auf „EIN III“ stellen
	Verstopfter Kraftstofffilter	Reinigen
	Verschmutzter oder verstopfter Luftreiniger	Reinigen
	Abnormaler Vergaser	Fordern Sie eine Inspektion und Wartung an.
	Abnormales Antriebssystem	Fordern Sie eine Inspektion und Wartung an.
Trennscheibe dreht sich nicht	Gelöster Befestigungsbolzen der Trennscheibe	Festziehen
Motor stoppt sofort	Abnormales Antriebssystem	Fordern Sie eine Inspektion und Wartung an.
Hauptblock vibriert abnormal	Gebrochene, verbogene oder abgenutzte Trennscheibe	Austauschen der Schneidklinge
	Gelöster Befestigungsbolzen der Trennscheibe	Festziehen
	Abnormales Antriebssystem	Fordern Sie eine Inspektion und Wartung an.
Trennscheibe stoppt nicht sofort	Hohe Leerlaufdrehzahl	Einstellen
	Abgetrennte Drosselverbindung	Fordern Sie eine Inspektion und Wartung an.
	Abnormales Antriebssystem	Fordern Sie eine Inspektion und Wartung an.
Motor stoppt nicht	Abgetrennter Stecker	Fest Anbringen
	Abnormales Elektrihsystem	Fordern Sie eine Inspektion und Wartung an.
Betreiben des Motors im Leerlauf und Einstellen des Choke-Hebels auf „H“		

Wenn der Motor nach dem Aufwärmen nicht startet:  
Falls bei den überprüften Elementen eine Abnormalität auftritt, öffnen Sie den Gashebel um 1/3 und starten Sie den Motor.

## Aufbewahren

### WARNUNG:

**Stoppen Sie zum Ablassen von Kraftstoff stets den Motor, lassen Sie ihn abkühlen und lassen Sie den Kraftstoff ab.**

- Das Ablassen von Kraftstoff unmittelbar nach dem Stoppen des Motors kann Flammen oder einen Brand verursachen und somit zu Brandverletzungen führen.

### ACHTUNG:

**Falls der Trennschleifer über einen längeren Zeitraum nicht verwendet werden wird, lassen Sie den Kraftstoff ab und lagern Sie den Trennschleifer an einem trockenen und sauberen Ort.**

- Lassen Sie den Kraftstoff anhand der folgenden Vorgehensweise aus dem Kraftstofftank und Vergaser ab.
- (1) Nehmen Sie den Tankdeckel ab und lassen Sie den Kraftstoff ab, bis der Tank leer ist.  
Prüfen Sie dann, ob Sie Fremdkörper in Inneren des Kraftstofftanks sehen. Falls ja, entfernen Sie diese.
  - (2) Ziehen Sie mit einem Stück Draht o. ä. den Kraftstofffilter aus dem Tankeinfüllstutzen heraus.
  - (3) Drücken Sie die Ansaugpumpe, bis aller Kraftstoff zurück in den Tank gedrückt wird. Putzen Sie auf jeden Fall diesen Kraftstoff aus dem Kraftstofftank.
  - (4) Setzen Sie den Kraftstofffilter wieder in seine Position im Kraftstofftank ein und schließen Sie anschließend den Tankdeckel fest.
  - (5) Betrieben Sie abschließend den Motor, bis er stoppt.
  - (6) Entfernen Sie die Zündkerze und lassen Sie die wenigen Tropfen Motorenöl aus der Zündkerzenöffnung ab.
  - (7) Ziehen Sie langsam den Startergriff, damit das Öl durch den Motor zirkuliert und setzen Sie anschließend die Zündkerze wieder ein.
  - (8) Lagern Sie den abgelassenen Kraftstoff in einem ordnungsgemäßen Kraftstoffkanister an einem schattigen, gut belüfteten Ort.

**Complimenti per l'acquisto di un prodotto MAKITA.**

Complimenti per aver scelto una sega circolare MAKITA. Questo moderno utensile è in grado di soddisfare le esigenze dell'operatore.

Lo scopo è appagare gli operatori del prodotto MAKITA. Per garantire il funzionamento e le prestazioni ottimali della sega circolare e per garantire la sicurezza personale, è fondamentale attenersi alle seguenti istruzioni:

**Leggere attentamente il presente manuale di istruzioni prima di mettere in funzione la sega circolare e rispettare scrupolosamente le norme per la sicurezza. La mancata osservanza di queste precauzioni può portare a gravi infortuni o alla morte.**



**Solo per i paesi europei**

**Dichiarazione di conformità CE**

**Makita Corporation, in qualità di produttore responsabile, dichiara che le macchine Makita indicate di seguito:**

Denominazione della macchina: Sega circolare

N. modello / Tipo: EK7650H, EK7651H

Caratteristiche tecniche: vedere la tabella "Dati tecnici".

appartengono a una produzione in serie e sono

**conformi alle seguenti direttive europee:**

2000/14/EC, 2006/42/EC

Sono inoltre prodotte in conformità con gli standard o i documenti standardizzati riportati di seguito:

EN ISO 19432

La documentazione tecnica è conservata dal rappresentante autorizzato in Europa, vale a dire:

Makita International Europe Ltd.,

Michigan Drive, Tongwell,

Milton Keynes, Bucks MK15 8JD, Inghilterra

La procedura di valutazione della conformità richiesta dalla direttiva 2000/14/EC è stata effettuata secondo quanto specificato nell'allegato V.

Livello di potenza sonora misurato: 113 dB (A)

Livello di potenza sonora garantito: 114 dB (A)

14. 1. 2011

Tomoyasu Kato  
Direttore

Makita Corporation

3-11-8, Sumiyoshi-cho,  
Anjo, Aichi, 446-8502, JAPAN

<b>Sommario</b>	<b>Pagina</b>
<b>Imballaggio</b> .....	80
<b>Inventario della consegna</b> .....	81
<b>Simboli</b> .....	81
<b>MISURE DI SICUREZZA</b> .....	82
Precauzioni generali.....	82
Dispositivi di protezione .....	82
Carburanti e rifornimento .....	83
Messa in funzione .....	83
Dischi di taglio.....	84
Contraccolpo e bloccaggio.....	85
Comportamento e metodo di lavoro.....	85
Taglio di metalli.....	86
Taglio di muratura e calcestruzzo.....	86
Trasporto e conservazione.....	87
Manutenzione.....	88
Pronto soccorso .....	88
<b>Dati tecnici</b> .....	89
<b>Denominazione dei componenti</b> .....	90
<b>MESSA IN FUNZIONE</b> .....	91
Montaggio del disco di taglio.....	91
Serraggio e controllo della tensione della cinghia a V .....	92
Prima dell'uso.....	92
<b>Funzionamento</b> .....	94
Avviamento .....	94
<b>Regolazione del carburatore</b> .....	95
<b>MANUTENZIONE</b> .....	95
Cinghia a V .....	96
Pulizia del riparo.....	96
Pulizia e sostituzione del filtro dell'aria.....	97
Manutenzione della candela .....	98
Sostituzione della testina di aspirazione .....	98
Pulizia dello starter.....	99
Modifica della posizione dell'accessorio di taglio (centrale/laterale) .....	100
<b>ACCESSORI SPECIALI</b> .....	101
Dischi di taglio diamantati .....	101
Carrello guida.....	101
Serbatoio dell'acqua (componente del carrello).....	101
Impianto idraulico/Sistema acqua di pressione.....	101
<b>Diagramma di manutenzione</b> .....	102
<b>Individuazione dei guasti</b> .....	103
<b>Risoluzione dei problemi</b> .....	104
<b>Conservazione</b> .....	105

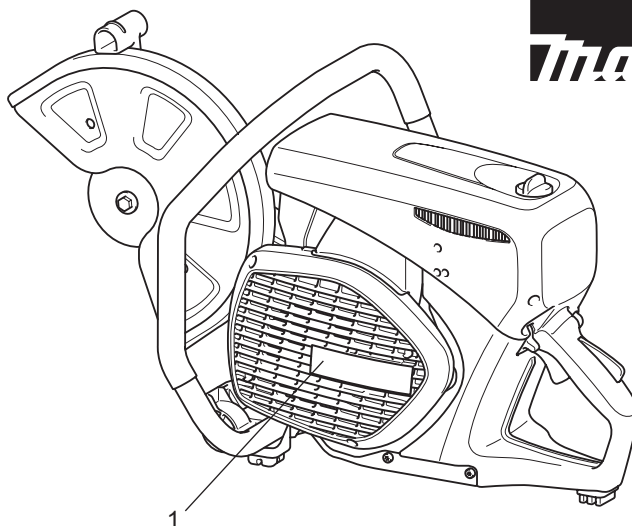
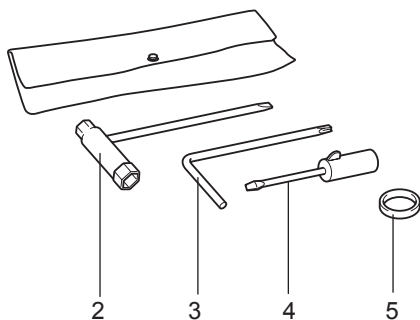
**Imballaggio**

La sega circolare MAKITA è imballata in una scatola di cartone che impedisce i danni durante il trasporto.

Il cartone è una materia prima fondamentale, che può essere riutilizzata o riciclata insieme alla carta.



## Inventario della consegna



1. Sega circolare
2. Chiave combinata 13/19 AF
3. Chiave a brugola
4. Cacciavite di regolazione del carburatore
5. Anello adattatore (I dispositivi destinati ad alcuni paesi potrebbero non richiedere questo anello.)
6. Manuale di istruzioni (non mostrato)

Se uno dei componenti elencati non è incluso nella consegna è necessario rivolgersi all'agente di vendita.

## Simboli

Sulla sega e nel manuale di istruzioni sono utilizzati i simboli riportati di seguito:

	Leggere il manuale di istruzioni e attenersi alle avvertenze e alle precauzioni per la sicurezza		Dimensioni del disco di taglio
	Prestare particolare cura e attenzione		Avviamento manuale del motore
	Vietato		Spegnere il motore
	Indossare il casco di protezione e i dispositivi di protezione per occhi, orecchie e apparato respiratorio		Avvertenza Contraccolpo
	Indossare i guanti di protezione		Carburante (benzina)
	Vietato fumare		Pronto soccorso
	Divieto di fiamme libere		Riciclaggio
	Direzione di rotazione della mola di taglio		Marchio CE
	<b>AVVERTENZA:</b> la velocità periferica massima del disco di taglio è di 80 m/s.		



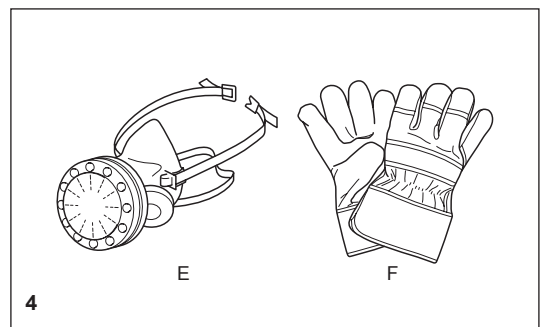
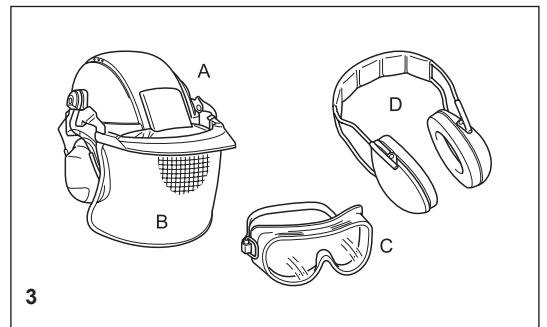
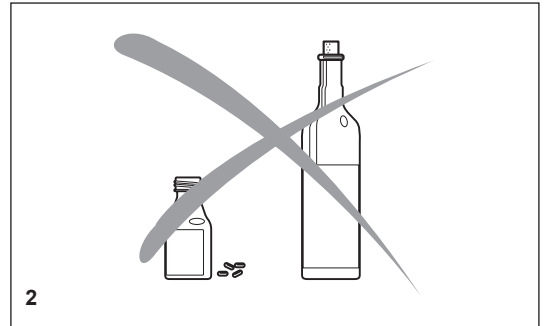
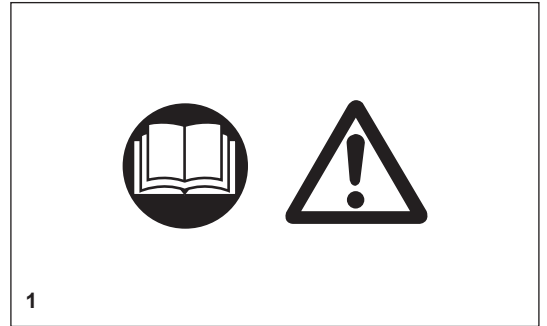
# MISURE DI SICUREZZA

## Precauzioni generali

- L'operatore deve leggere il presente manuale di istruzioni per ragioni di sicurezza (anche se ha già esperienza nell'uso di seghe circolari). È importante acquisire familiarità con il funzionamento di questa particolare sega circolare. Gli operatori non informati possono mettere in pericolo se stessi e altre persone a seguito di un uso improprio.
- Solo le persone che hanno esperienza nell'uso delle seghe circolari dovrebbero utilizzare questa unità. Se si permette ad altre persone di utilizzare la sega circolare è necessario consegnare loro il presente manuale di istruzioni.
- Gli operatori alle prime armi dovrebbero richiedere a un esperto di istruirli nell'uso delle seghe circolari a benzina.
- L'uso della sega circolare non deve essere consentito agli operatori di età inferiore a 18 anni. Tuttavia, è possibile consentire l'uso della sega circolare a persone di età superiore a 16 anni esclusivamente a scopi di formazione e dietro la supervisione di un istruttore qualificato.
- L'utilizzo della sega circolare richiede molta concentrazione.
- Utilizzare la sega circolare solo se si è in buone condizioni fisiche. La stanchezza può ridurre il livello di attenzione. Prestare particolare attenzione al termine di una giornata di lavoro. Eseguire tutto il lavoro con calma e attenzione. L'utente si assume la responsabilità anche delle altre persone.
- Non lavorare mai sotto l'influenza di alcool, farmaci, medicinali o altre sostanze che potrebbero ridurre le capacità visiva, di destrezza e di giudizio.
- È opportuno che nelle vicinanze sia presente un estintore.
- L'amianto e altri materiali che possono rilasciare tossine devono essere tagliati solo adottando le necessarie misure di sicurezza, dopo aver informato le autorità preposte e dietro la supervisione di una persona nominata da tali autorità.

## Dispositivi di protezione

- Per evitare infortuni a testa, occhi, mani o piedi e per proteggere l'udito è opportuno indossare i seguenti dispositivi di protezione durante l'uso della sega circolare:
- L'abbigliamento deve essere adeguato, vale a dire aderente ma non di ostacolo. Non indossare capi d'abbigliamento in cui possono accumularsi i trucioli (pantaloni con risvolti, giacche e pantaloni con grandi tasche aperte e così via), in particolare durante il taglio del metallo.
- Non indossare gioielli o capi d'abbigliamento che possano impigliarsi o possano distrarre l'operatore della sega circolare.
- È necessario indossare un casco di protezione quando si lavora con la sega circolare. Il **casco di protezione** (A) deve essere controllato periodicamente per verificare la presenza di danni e deve essere sostituito almeno ogni 5 anni. Utilizzare solo caschi di protezione omologati.
- La **visiera** del casco (B) protegge il volto dalla polvere e dai trucioli. Per prevenire infortuni agli occhi e al viso, indossare sempre gli **occhiali di protezione** (C) o la visiera durante l'uso della sega circolare.
- Per impedire danni all'udito, indossare sempre una **protezione acustica** personale idonea (cuffie isolanti (D), tappi per le orecchie e così via). Su richiesta è disponibile l'analisi in bande di ottava.
- Durante il taglio a secco di materiali che producono polvere, quali pietra o calcestruzzo, indossare sempre l'apposita **protezione per l'apparato respiratorio** (E).
- I **guanti da lavoro** (F) in cuoio robusto sono parte dell'equipaggiamento richiesto per la sega circolare e devono essere sempre indossati durante il lavoro.



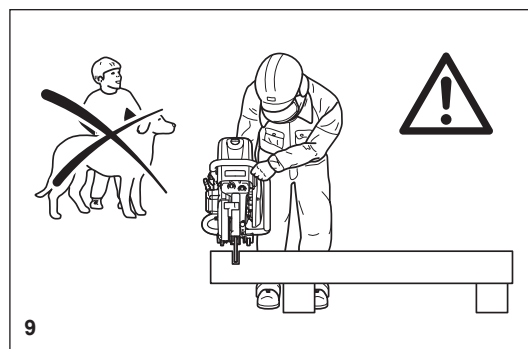
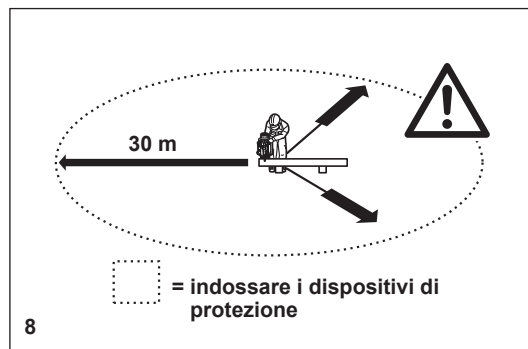
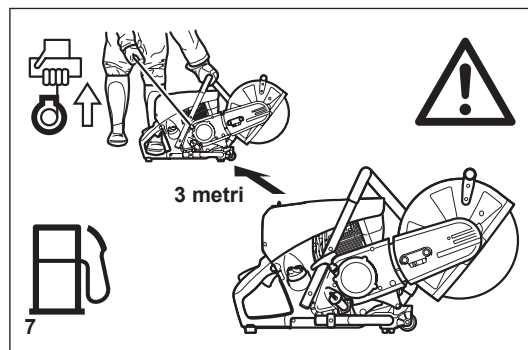
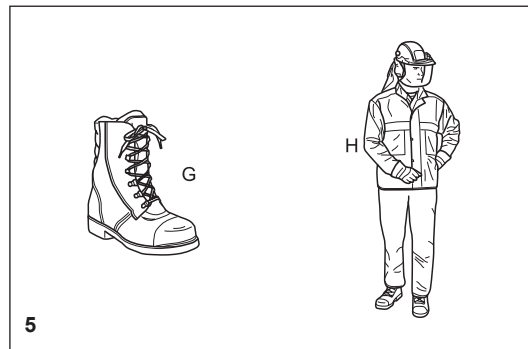
- Durante l'uso della sega circolare indossare sempre **stivali o scarpe antinfortunistica (G)** con punte in acciaio, soles antiscivolo e parastinchi. Le scarpe antinfortunistica dotate di uno strato protettivo garantiscono la protezione dai tagli e permettono di mantenere l'equilibrio.
- Indossare sempre un **completo da lavoro (H)** di materiale resistente.

### Carburanti e rifornimento

- Recarsi in un luogo sicuro e in piano per effettuare il rifornimento. **Non effettuare il rifornimento su ponteggi, cumuli di materiali o ambienti simili.**
- Spegnere il motore prima di rifornire la sega circolare.
- Non fumare e non lavorare in prossimità di fiamme libere (6).
- Attendere il raffreddamento del motore prima di effettuare il rifornimento.
- I carburanti possono contenere sostanze simili ai solventi. Evitare il contatto dei prodotti a base di oli minerali con gli occhi e la cute. Indossare sempre guanti di protezione durante il rifornimento (non i normali guanti da lavoro). Lavare e cambiare spesso l'abbigliamento protettivo. Non respirare i vapori del carburante. L'inalazione dei vapori può risultare pericolosa per la salute.
- Non versare il carburante. In caso di fuoriuscite pulire immediatamente la sega circolare. Evitare il contatto del carburante con il proprio abbigliamento. In caso di contatto cambiare immediatamente tutti i capi d'abbigliamento.
- Evitare che il carburante trasudi nel terreno (protezione dell'ambiente). Utilizzare una base appropriata.
- Non effettuare il rifornimento in ambienti chiusi. I vapori del carburante si accumulano a livello del pavimento (pericolo di esplosione).
- Serrare saldamente il tappo a vite del serbatoio del carburante.
- Prima di avviare il motore, portarsi in un luogo ad almeno 3 metri dalla postazione di rifornimento della sega circolare (7), evitando che tale postazione si trovi all'interno del raggio di rotazione esteso del disco di taglio (in direzione delle scintille).
- Il carburante non può essere conservato per un tempo illimitato. Acquistare esclusivamente il carburante che si prevede di consumare nel prossimo futuro.
- Utilizzare esclusivamente contenitori approvati e marchiati per il trasporto e la conservazione del carburante.
- **Tenere il carburante fuori dalla portata dei bambini.**

### Messa in funzione

- **Non lavorare da soli. È opportuno che vi sia sempre qualcuno nelle vicinanze in caso di emergenza (a portata di voce).**
- Rispettare tutte le normative antirumore durante l'uso in zone residenziali.
- **Non utilizzare la sega circolare in prossimità di materiali infiammabili o gas esplosivi. La sega circolare può produrre scintille in grado di provocare incendi o esplosioni.**
- Assicurarsi che tutte le persone nel raggio di 30 metri, ad esempio altri operatori, indossino i dispositivi di protezione (vedere "Dispositivi di protezione") (8). I bambini e le altre persone non autorizzate devono rimanere ad almeno 30 metri di distanza dall'area di lavoro. Controllare che tale imposizione sia fatta rispettare anche agli animali (9).
- **Prima di avviare la sega circolare è necessario verificarne il funzionamento e la sicurezza operativa secondo le istruzioni.**  
In particolare, assicurarsi che la mola di taglio sia in buone condizioni (sostituirla immediatamente se risulta lacerata, danneggiata o piegata) e che sia montata correttamente, che il riparo sia bloccato in posizione, che il paramani sia montato correttamente, che la cinghia a V abbia la tensione corretta, che l'acceleratore si muova facilmente, che i punti di presa siano puliti e asciutti e che l'interruttore combinato funzioni correttamente.
- Avviare la sega circolare solo dopo averla montata e ispezionata interamente. Non utilizzare la sega circolare se non è stata montata interamente.



## Dischi di taglio

- Il riparo deve sempre essere attivato. Sostituire i dischi solo a motore spento.
- Esistono due tipi fondamentali di dischi di taglio:
  - Per il metallo (taglio a caldo)
  - Per la muratura (taglio a freddo)

### NOTA:

Durante l'uso di dischi di taglio diamantati è importante osservare sempre i contrassegni che indicano la direzione di rotazione. I dischi diamantati devono essere utilizzati esclusivamente per il taglio della muratura, dei mattoni, del calcestruzzo e così via.

- I dischi di taglio sono destinati esclusivamente al carico radiale, vale a dire al taglio. Non effettuare la molatura con i lati del disco da taglio. Il disco (10) potrebbe rompersi.

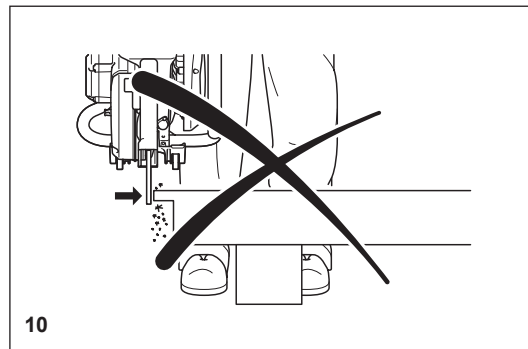
### ⚠ ATTENZIONE:

**Non cambiare la direzione (raggio di rotazione inferiore a 5 metri) o la pressione laterale esercitata e non inclinare la sega circolare durante il taglio (11).**

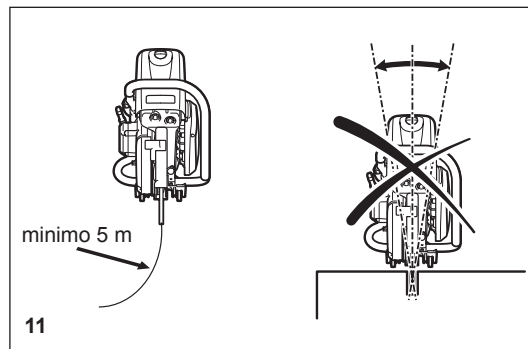
- Utilizzare il disco di taglio esclusivamente per il taglio dei materiali previsti. Utilizzare il tipo di disco corretto per il taglio dei metalli o della muratura.
- Il foro del disco di taglio deve adattarsi perfettamente all'albero. Se il foro è più ampio del diametro dell'albero è necessario utilizzare un anello distanziatore (optional).
- Utilizzare esclusivamente mole di taglio approvate da DSA (German Abrasive Disc Committee) o da organizzazioni equivalenti per il taglio libero a una velocità massima di 4.370 giri/min (= 80 m/secondo sulla circonferenza) per dischi da 14"/355 mm o a una velocità massima di 5.100 giri/min (= 80 m/secondo sulla circonferenza) per dischi da 12"/300 mm.
- Il disco non deve essere difettato (12). Non utilizzare dischi di taglio difettati.

**Serrare sempre il bullone di montaggio del disco di taglio a una coppia di 30 Nm. In caso contrario il disco di taglio potrebbe torcersi.**

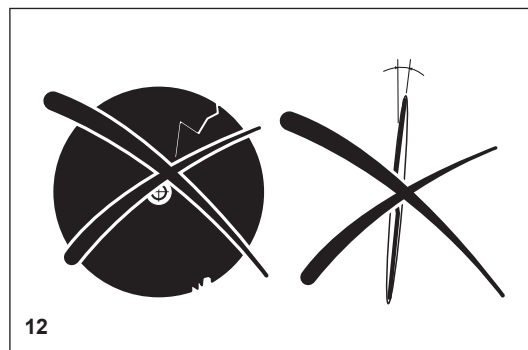
- Prima di avviare il disco di taglio assicurarsi di avere un buon equilibrio.
- Mettere in funzione la sega circolare attenendosi alle istruzioni nel presente manuale (13). Posizionare il piede sinistro nell'impugnatura posteriore e afferrare saldamente l'altra impugnatura (con il pollice e le altre dita). Altre modalità di avviamento non sono consentite.
- In fase di avvio la sega circolare deve essere sostenuta con fermezza. Il disco di taglio non deve essere a contatto con altri oggetti.
- Se il disco di taglio è nuovo è opportuno provarlo lasciandolo in funzione per 60 secondi alla velocità massima. Durante questa operazione, assicurarsi che non vi siano persone o parti del corpo nel raggio di rotazione esteso del disco (qualora sia difettoso e venga scagliato).
- **Utilizzare sempre la sega circolare con entrambe le mani.** Afferrare l'impugnatura posteriore con la mano destra e l'impugnatura tubolare con la mano sinistra. Tenere saldamente le impugnature opponendo i pollici alle altre dita.
- **ATTENZIONE: Al rilascio dell'acceleratore il disco continua a ruotare per qualche istante** (effetto di rotazione libera.)
- Verificare costantemente di avere un buon equilibrio.
- Afferrare la sega circolare in modo da non respirarne i gas di scarico. Non lavorare in ambienti chiusi o in fossati profondi (pericolo di avvelenamento da fumi).
- **Spegnere immediatamente la sega circolare se si rilevano cambiamenti nel suo funzionamento.**
- **Spegnere il motore prima di controllare la tensione della cinghia a V o di serrarla, sostituire la mola di taglio, riposizionare l'accessorio tagliente** (posizione laterale o centrale) **o risolvere i guasti (14).**
- Spegnere immediatamente il motore e controllare il disco se si rilevano cambiamenti nel comportamento di taglio.
- Spegnere la sega circolare se si effettua una pausa o si interrompe il lavoro (14). Appoggiare l'unità in modo tale che il disco non tocchi altri oggetti e non possa ferire nessuno.
- Non appoggiare la sega circolare surriscaldata nell'erba secca o su oggetti infiammabili. La marmitta è particolarmente calda (pericolo di incendio).
- **IMPORTANTE:** Dopo il taglio a umido, spegnere l'erogazione dell'acqua e lasciare il disco in funzione per almeno 30 secondi, in modo da rimuovere i residui d'acqua e impedire la corrosione.



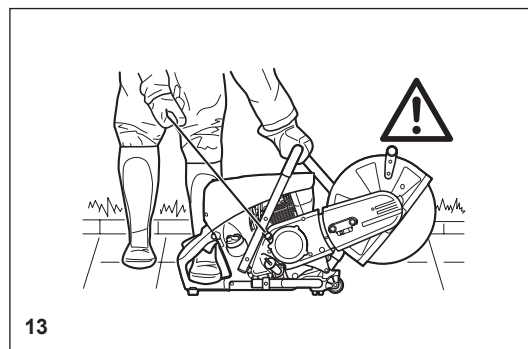
10



11



12



13

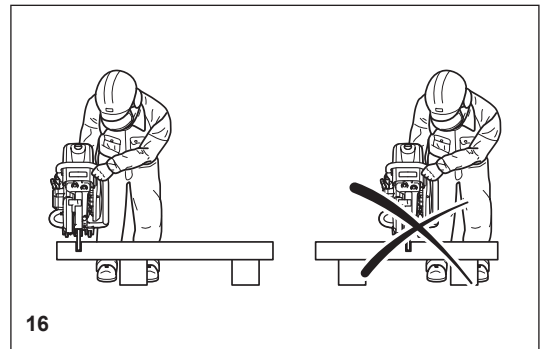
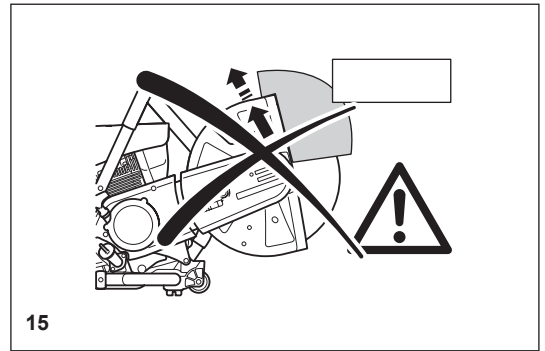


14

- Manutenzione
- Rifornimento
- Sostituzione dei dischi di taglio
- Riposizionamento dell'accessorio di taglio
- Interruzione del lavoro
- Trasporto
- Spegnimento

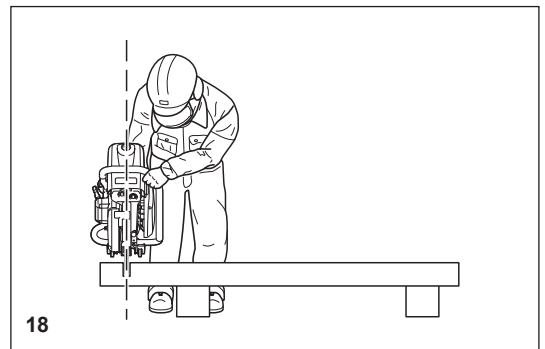
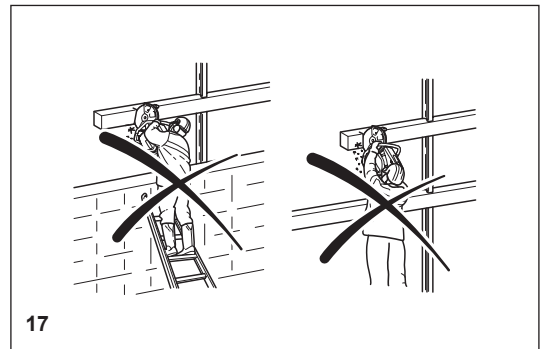
## Contraccolpo e bloccaggio

- Durante l'uso della sega circolare esiste sempre il pericolo di contraccolpi e bloccaggi.
- I contraccolpi si verificano quando per il taglio viene utilizzata la parte superiore del disco di taglio (15).
- La sega circolare viene scagliata verso l'operatore con grande forza ed è fuori controllo. **Pericolo di infortuni.**  
**Per evitare i contraccolpi è opportuno attenersi alle seguenti linee guida:**
- Non tagliare mai con la sezione del disco di taglio mostrata nella figura 15.
- **Prestare particolare attenzione quando si inserisce di nuovo il disco in tagli già cominciati.**
- Il bloccaggio si verifica quando il taglio si restringe (crepe o pezzo in lavorazione sollecitato eccessivamente).
- La sega circolare viene scagliata improvvisamente in avanti con grande forza ed è fuori controllo. **Pericolo di infortuni.**  
**Per evitare il bloccaggio è opportuno attenersi alle seguenti linee guida:**
- Quando si inserisce il disco in tagli precedenti è importante che la sega circolare sia in funzione alla massima velocità. Tagliare sempre alla massima velocità.
- Sostenere sempre il pezzo in lavorazione in modo che il taglio sia sotto tensione (16), in modo che il taglio non prema contro il disco mentre procede nel materiale da tagliare.
- All'inizio di un taglio, posizionare il disco sul pezzo in lavorazione con la massima cura.  
Non spingerlo semplicemente nel materiale.
- Non tagliare mai più pezzi contemporaneamente. Durante il taglio, assicurarsi che l'utensile non venga a contatto con altri pezzi in lavorazione.



## Comportamento e metodo di lavoro

- Prima di iniziare il lavoro è opportuno rilevare eventuali pericoli nell'area di lavoro (fili elettrici, sostanze infiammabili e così via). Contrassegnare chiaramente l'area di lavoro (ad esempio con cartelli di avvertenza o recintando l'area).
- Durante l'operazione, tenere saldamente la sega circolare dalle impugnature anteriore e posteriore. Non lasciare incustodita la sega circolare.
- Ove possibile, azionare la sega circolare alla velocità nominale dell'albero (vedere "Dati tecnici").
- Utilizzare la sega circolare solo in condizioni di luce e visibilità idonee. Prestare attenzione alle aree scivolose o umide, al ghiaccio e alla neve (pericolo di scivolamento).
- Non lavorare su superfici instabili. Assicurarsi che non vi siano ostacoli nell'area di lavoro (pericolo di inciampare). Verificare sempre di avere un buon equilibrio.
- Non eseguire tagli a un'altezza superiore a quella delle spalle (17).
- Non utilizzare mai l'utensile stando su una scala (17).
- Non utilizzare la sega circolare stando su un ponteggio.
- Non inclinarsi troppo in avanti durante il lavoro. Quando si appoggia o si prende la sega circolare, evitare di incurvare la schiena in avanti; è preferibile piegarsi sulle ginocchia. La schiena deve essere salvaguardata.
- Guidare la sega circolare in modo che nessuna parte del corpo si trovi nel raggio di rotazione esteso del disco (18).
- Utilizzare i dischi di taglio esclusivamente per i materiali per cui sono progettati.
- Non utilizzare la sega circolare per sollevare e spalare pezzi di materiale o altri oggetti.  
**Importante!** Prima del taglio, rimuovere dall'area di taglio tutti i corpi estranei quali rocce, ghiaia, chiodi e così via. In caso contrario tali oggetti potrebbero essere scagliati dal disco ad alta velocità. **Pericolo di infortuni.**
- Utilizzare un sostegno saldo durante il taglio in lunghezza dei pezzi in lavorazione. Se necessario, fissare il pezzo in lavorazione per evitare che scivoli; non tenerlo con il piede e non permettere ad altri di tenerlo.
- Durante il taglio di oggetti rotondi è fondamentale fissarli per impedirne la rotazione.
- Se la sega circolare viene guidata a mano, utilizzare la posizione di montaggio laterale dell'accessorio tagliente solo se effettivamente necessario. In caso contrario utilizzare sempre la posizione centrale. In questo modo l'unità è più equilibrata e si riduce la fatica dell'operatore.



## Taglio di metalli

### ⚠ IMPORTANTE!

Indossare sempre l'apposita protezione per l'apparato respiratorio. I materiali che possono rilasciare sostanze tossiche possono essere tagliati solo dopo aver informato le autorità preposte e dietro la supervisione di una persona nominata da tali autorità.

### ⚠ ATTENZIONE:

La rotazione rapida del disco di taglio provoca il riscaldamento del metallo e la sua fusione nel punto di contatto. Far oscillare la protezione il più possibile verso il basso dietro il taglio (19) per dirigere il flusso delle scintille nella direzione opposta all'operatore (pericolo di incendio).

- Determinare la direzione di taglio, contrassegnare il taglio e appoggiare il disco sul materiale a velocità moderata, in modo da tagliare una scanalatura di guida prima di passare alla massima velocità ed esercitare maggiore pressione sulla sega circolare.
- Mantenere il disco diritto e in posizione verticale. Non inclinarlo in quanto potrebbe rompersi.
- Il modo migliore per ottenere un taglio pulito è tirare o spostare la sega circolare avanti e indietro. Evitare di spingere semplicemente il disco nel materiale.
- I componenti rotondi e spessi possono essere tagliati al meglio procedendo in più fasi (20).
- Le tubazioni sottili possono essere tagliate praticando un semplice taglio verso il basso.
- I tubi di diametro elevato devono essere tagliati come i componenti rotondi spessi. Per impedire l'inclinazione e ottenere un controllo migliore, evitare che il disco penetri troppo in profondità nel materiale. Praticare invece tagli poco profondi intorno all'intero pezzo.
- I dischi usurati presentano un diametro inferiore rispetto ai dischi nuovi; per questo motivo, a parità di regime del motore, la velocità circonferenziale effettiva è inferiore e il taglio non avviene con la stessa qualità.
- Tagliare le travi a I e le barre a L in più passaggi; vedere la Figura 21.
- Tagliare le fasce e le piastre procedendo come per i tubi, vale a dire lungo il lato più ampio con un taglio prolungato.
- Durante il taglio di materiale posto sotto pressione (materiale di sostegno o all'interno di strutture), praticare sempre una tacca sul lato sotto pressione, quindi tagliare dal lato in tensione in modo che il disco non si blocchi. **Assicurarsi che il materiale tagliato non cada.**

### ⚠ ATTENZIONE:

Se c'è la possibilità che il materiale sia sotto pressione è necessario prepararsi a un eventuale contraccolpo. Assicurarsi di avere la possibilità di togliersi di mezzo.

Prestare particolare attenzione a depositi di metallo di scarto, sfasciacarrozze, luoghi di incidenti e ambienti con cumuli pericolosi di materiali. I pezzi con un equilibrio precario o posti sotto pressione possono comportarsi in maniera imprevedibile, scivolando, saltando via o esplodendo. Assicurarsi che il materiale tagliato non cada. Esercitare particolare cautela e utilizzare esclusivamente attrezzature in perfetto ordine.

Rispettare le regole di prevenzione degli incidenti e le normative imposte dal datore di lavoro e/o dalla compagnia di assicurazioni.

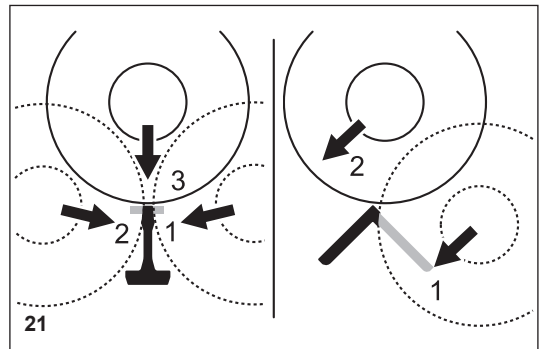
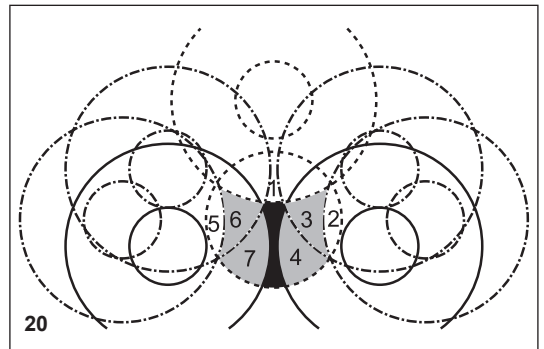
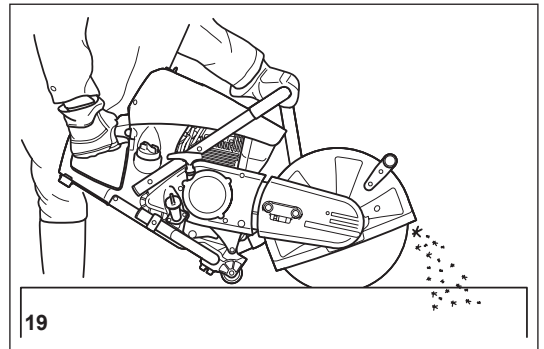
## Taglio di muratura e calcestruzzo

### IMPORTANTE!

Indossare sempre l'apposita protezione per l'apparato respiratorio. L'amianto e altri materiali che possono rilasciare sostanze tossiche possono essere tagliati solo dopo aver informato le autorità preposte e dietro la supervisione di una persona nominata da tali autorità. Durante il taglio di pile di calcestruzzo armato, anche precompresso, attenersi alle istruzioni e agli standard delle autorità responsabili o del costruttore del componente strutturale. Le aste di rinforzo devono essere tagliate secondo la sequenza prescritta e in conformità alle norme per la sicurezza in vigore.

### NOTA:

La malta, la pietra e il calcestruzzo sviluppano grandi quantità di polvere durante il taglio. Per aumentare la durata del disco di taglio (mediante raffreddamento), ma anche per migliorare la visibilità ed evitare un eccessivo accumulo di polvere, è fortemente consigliabile praticare il taglio a umido, anziché a secco.





Nel taglio a umido il disco viene bagnato in maniera uguale su entrambi i lati mediante un gocciolamento d'acqua. MAKITA offre gli accessori più adatti per il taglio a umido (vedere anche "ACCESSORI SPECIALI").

- Rimuovere dall'area di taglio tutti i corpi estranei quali sabbia, pietre e chiodi.

**ATTENZIONE: Prestare attenzione a fili e cavi elettrici.**

La rotazione rapida del disco di taglio nel punto di contatto può far sì che i frammenti della scanalatura di taglio vengano scagliati ad alta velocità. Per ragioni di sicurezza, inclinare il riparo il più possibile verso il basso dietro il taglio (23), in modo che i frammenti del materiale siano scagliati in avanti, nella direzione opposta all'operatore.

- Contrassegnare il taglio e praticare una scanalatura di circa 5 mm per l'intera lunghezza del taglio previsto. Questa scanalatura guiderà con precisione la sega circolare durante il taglio vero e proprio.

**NOTA:**

Per i tagli lunghi e rettilinei si consiglia l'uso di un carrello (24, vedere anche "ACCESSORI SPECIALI"). Con questo accessorio è più facile guidare l'unità in linea retta.

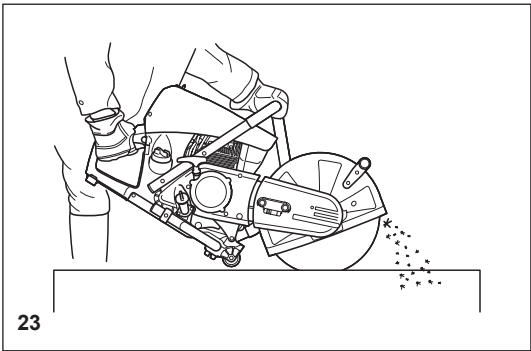
- Eseguire il taglio con un movimento progressivo avanti e indietro.
- Quando si tagliano le lastre a dimensioni specifiche, non è necessario tagliare il materiale per l'intero spessore (producendo inutilmente polvere). È sufficiente praticare una scanalatura superficiale e poi eliminare il materiale in eccesso su una superficie in piano (25).

**ATTENZIONE!**

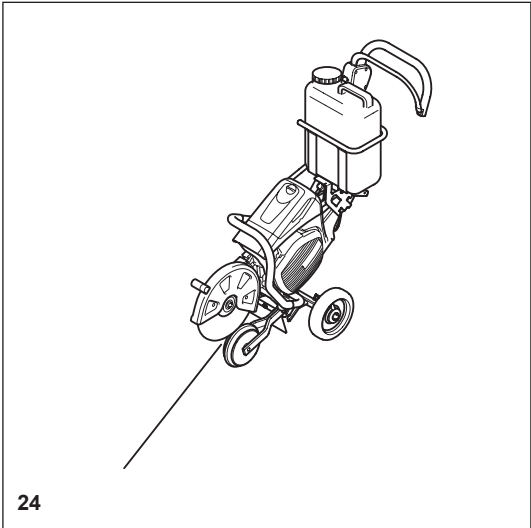
Durante il taglio in lunghezza, il taglio di materiali, la creazione di forature e così via, pianificare sempre la direzione e la sequenza dei tagli in modo tale che il disco non venga intrappolato dal pezzo tagliato e che nessuno possa subire infortuni dovuti alla caduta dei pezzi.

**Trasporto e conservazione**

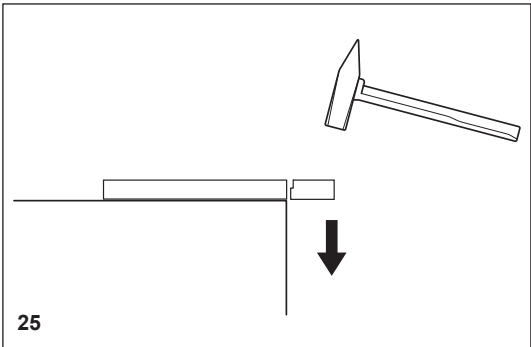
- **Spegnere sempre la sega circolare durante il trasporto o lo spostamento da un punto all'altro del luogo di lavoro (26).**
- **Non trasportare o spostare l'unità con il motore acceso o il disco in movimento.**
- Trasportare l'unità afferrandola esclusivamente dall'impugnatura tubolare (centrale), con il disco di taglio rivolto dietro di sé (26). Evitare di toccare la marmitta (pericolo di ustioni).
- Per il trasporto della sega circolare su lunghe distanze è consigliabile utilizzare una carriola o un carro.
- Per il trasporto della sega circolare su un veicolo, posizionarla in modo che non possano verificarsi perdite di carburante. Rimuovere sempre il disco di taglio prima di trasportare l'unità in un veicolo.
- La sega circolare deve essere conservata in un luogo asciutto. Non lasciarla all'aperto. Smontare sempre il disco di taglio prima di riporre l'utensile. Tenere la sega circolare fuori dalla portata dei bambini.
- **Prima della conservazione a lungo termine o della spedizione della sega circolare è necessario attenersi alle istruzioni nel capitolo "Conservazione".**
- **Svuotare sempre il serbatoio del carburante e far funzionare il carburatore a secco.**
- Per riporre i dischi di taglio:
  - Pulirli e asciugarli con cura.
  - Conservarli in posizione orizzontale in piano.
  - Evitare l'umidità, le temperature di congelamento, la luce diretta del sole, le temperature elevate e le variazioni di temperatura, in quanto potrebbero causare rotture e frantumazioni.
- **Controllare sempre i nuovi dischi di taglio o i dischi conservati per lungo tempo in modo da garantire che non siano difettati.**



23



24



25



26

## Manutenzione

- **Prima di eseguire le operazioni di manutenzione è necessario spegnere la sega circolare (27) e staccare la candela.**
  - Controllare sempre la sega circolare prima dell'uso per garantire che sia in buone condizioni. In particolare, assicurarsi che il disco di taglio sia montato correttamente. Assicurarsi che la mola di taglio non sia danneggiata e che sia idonea al lavoro da svolgere.
  - Utilizzare la sega circolare solo a bassi livelli di rumore ed emissioni. Per ottenere questo risultato è necessario regolare correttamente il carburatore.
  - Pulire regolarmente la sega circolare.
  - Pulire regolarmente il tappo del serbatoio del carburante per garantirne la tenuta.
- Rispettare le istruzioni di prevenzione degli incidenti fornite dalle associazioni di categoria e dalle compagnie di assicurazioni. Non apportare modifiche alla sega circolare. L'unico risultato sarebbe quello di mettere a repentaglio la propria sicurezza.**

Eseguire esclusivamente le operazioni di manutenzione e riparazione descritte nel manuale di istruzioni. Qualsiasi altra operazione deve essere eseguita dal centro assistenza MAKITA (28).

Utilizzare esclusivamente ricambi e accessori MAKITA originali.

L'uso di ricambi, accessori o dischi di taglio non prodotti da MAKITA può aumentare il pericolo di incidenti. MAKITA non si assume alcuna responsabilità per incidenti o danni derivanti dall'uso di dischi di taglio o accessori non originali.



27



ASSISTENZA

28

## Pronto soccorso (29)

Assicurarsi che nelle vicinanze sia sempre disponibile una cassetta di pronto soccorso. Sostituire immediatamente qualunque articolo prelevato dalla cassetta di pronto soccorso.

**Nel momento in cui si richiede assistenza è indispensabile fornire le seguenti informazioni:**

- Luogo dell'incidente
- Che cosa è accaduto
- Numero di persone coinvolte
- Tipo di infortuni
- Nome e cognome

### NOTA:

Gli operatori che soffrono di insufficienza venosa, se esposti a vibrazioni eccessive, possono riportare danni ai vasi sanguigni o al sistema nervoso.

Le vibrazioni possono causare i seguenti sintomi alle dita, alle mani o ai polsi: torpore, formicolio, dolore, fitte acute, alterazione della pelle o del suo colore.

**Consultare un medico non appena si manifestano tali sintomi.**



29



## Dati tecnici

Componente		Modello	EK7650H		EK7651H	
Motore	Cilindrata	cm <sup>3</sup>	75,6			
	Alesaggio	mm	51			
	Corsa	mm	37			
	Potenza massima	kW	3,0			
	Coppia massima	Nm	4,6			
	Velocità al minimo	min <sup>-1</sup>	2.600			
	Frizione		Sistema centrifugo a funzionamento automatico			
	Limitazione di regime del motore	min <sup>-1</sup>	9.100			
	Velocità massima del mandrino	min <sup>-1</sup>	4.300			
	Carburatore		Tipo a diaframma			
	Sistema di accensione (con limitazione di velocità)		Tipo a calamita senza contatto			
	Candela	Tipo	NGK CMR6H			
	Distanza tra gli elettrodi	mm	0,5			
	Sistema di avviamento		Sistema a ripercussione			
	Consumo di carburante con carico massimo secondo ISO 8893	kg/ora	1,2			
	Consumo specifico con carico massimo secondo ISO 8893	g/kWh	400			
	Carburante		Benzina per automobili			
	Capacità del serbatoio del carburante	l	1,1			
	Lubrificante (olio motore)		Olio SAE 10W-30 di grado API e classe SF o superiore (olio motore per automobili a quattro tempi)			
Quantità di lubrificante	l	0,22				
Disco di taglio per 80 m/sec. o superiore <sup>1)</sup> (approvato da DSA): dimensioni	mm	300 / 20 / 5 <sup>2)</sup>	300 / 25,4 / 5 <sup>2)</sup>	350 / 20 / 5 <sup>2)</sup>	350 / 25,4 / 5 <sup>2)</sup>	
Livello di pressione sonora (L <sub>PA</sub> ) secondo EN ISO 19432 <sup>3)</sup>	dB (A)	92,7				
Variazione (K)	dB (A)	2,5				
Livello di potenza sonora (L <sub>WA</sub> ) secondo EN ISO 19432	dB (A)	104,6				
Variazione (K)	dB (A)	2,5				
Accelerazione delle vibrazioni a <sub>h,w</sub> conforme a EN ISO 19432						
- Impugnatura anteriore (velocità del mandrino al minimo/nominale)	m/s <sup>2</sup>	2,7				
Variazione (K)	m/s <sup>2</sup>	2,0				
- Impugnatura posteriore (velocità del mandrino al minimo/nominale)	m/s <sup>2</sup>	1,8				
Variazione (K)	m/s <sup>2</sup>	2,0				
Diametro del foro	mm	20,0	25,4	20,0	25,4	
Diametro del mandrino	mm	17		17 o 25,4 <sup>4)</sup>		
Diametro esterno minimo della flangia	mm	102				
Profondità massima di taglio	mm	97		122		
Dimensioni della sega circolare (lunghezza complessiva × larghezza complessiva × altezza complessiva)		761 mm × 310 mm × 435 mm		780 mm × 310 mm × 455 mm		
N. cinghia a V	n.	225094-6				
Peso complessivo (serbatoi vuoti, senza disco di taglio)	kg	12,7		12,9		

1) Velocità circonferenziale al regime massimo del motore

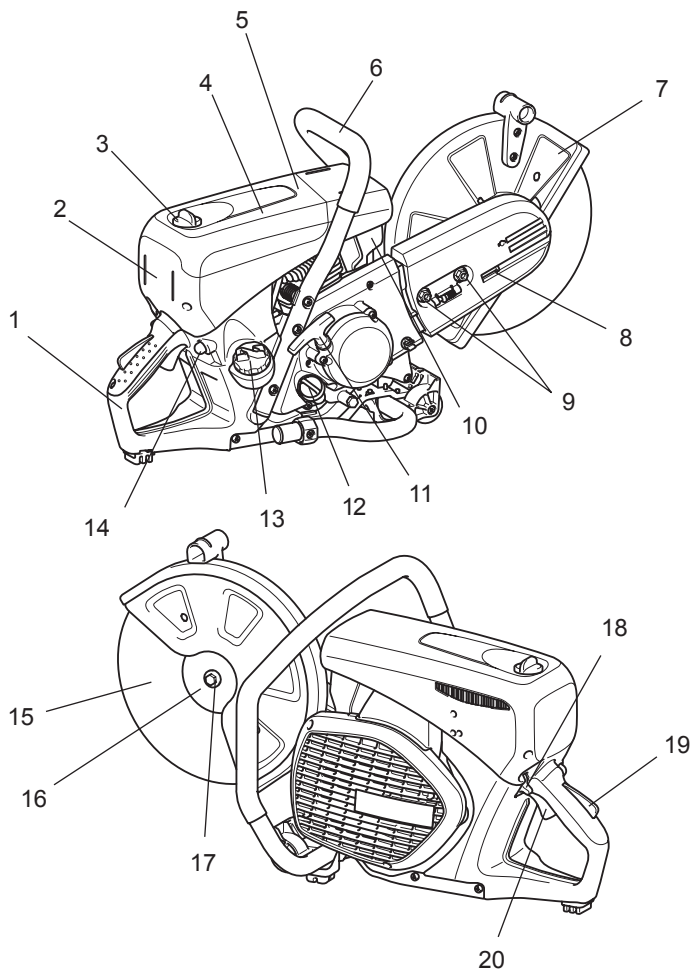
2) Diametro esterno / foro / spessore

3) Nel luogo di lavoro (orecchio dell'utente)

4) Specifico per ciascun paese

## Denominazione dei componenti

1. Impugnatura posteriore
2. Coperchio del filtro
3. Vite di bloccaggio
4. Coperchio superiore per il filtro dell'aria e la candela
5. Coperchio superiore
6. Impugnatura anteriore
7. Riparo
8. Vite di messa in tensione
9. Dado esagonale
10. Marmitta
11. Interruttore di avviamento
12. Tappo del serbatoio dell'olio
13. Tappo del serbatoio del carburante
14. Pompa del carburante
15. Disco di taglio
16. Flangia esterna
17. Bullone esagonale
18. Interruttore
19. Sicura di accensione
20. Leva dell'acceleratore





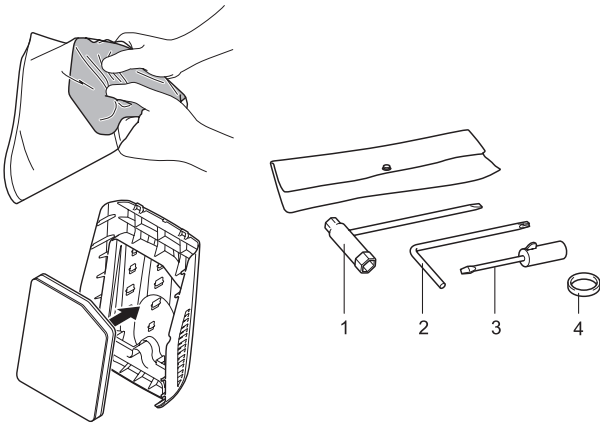
## MESSA IN FUNZIONE

### ⚠ ATTENZIONE:

Spegnere sempre il motore e staccare la candela prima di svolgere operazioni sulla sega circolare. Indossare sempre i guanti di protezione.

### ⚠ ATTENZIONE:

Avviare la sega circolare solo dopo averla montata e ispezionata interamente.



Per le operazioni riportate di seguito, utilizzare gli utensili di montaggio in dotazione:

1. Chiave combinata 13/16 AF
2. Chiave a brugola
3. Cacciavite di regolazione del carburatore
4. Anello adattatore

Posizionare la sega circolare su una superficie stabile ed eseguire le seguenti operazioni di montaggio:

### ⚠ Filtro dell'aria non installato!

Prima dell'uso, spremere il filtro in dotazione diverse volte in modo che l'olio sia sparso uniformemente in tutto il filtro. Inserire un filtro in schiuma lubrificato (prefiltro), come mostrato nella figura accanto! Per fare ciò, togliere il coperchio del filtro (vedere il capitolo Pulizia e sostituzione del filtro dell'aria).

## Montaggio del disco di taglio

### ⚠ AVVERTENZA:

- Montare un disco di taglio diamantato in modo che la freccia sia rivolta nella direzione di rotazione della flangia esterna (6). Se il disco di taglio diamantato (4) viene montato con la freccia nella direzione opposta, il bordo del disco potrebbe frantumarsi e causare infortuni.
- Per montare un disco di taglio (4) utilizzare sempre l'anello corrispondente all'alesaggio del disco e al diametro del mandrino (5). L'uso di anelli non corrispondenti può causare vibrazioni dell'utensile con conseguenti gravi danni alla persona.
- Utilizzare esclusivamente dischi di taglio con un alesaggio corrispondente al diametro degli anelli in dotazione. L'uso di dischi non corrispondenti può causare vibrazioni dell'utensile con conseguenti gravi danni alla persona.
- Controllare la presenza di danni sul disco di taglio (vedere la sezione "Dischi di taglio" in MISURE DI SICUREZZA).

1. Inserire la chiave a brugola (2) nel foro (8) per impedire la rotazione del mandrino (5).

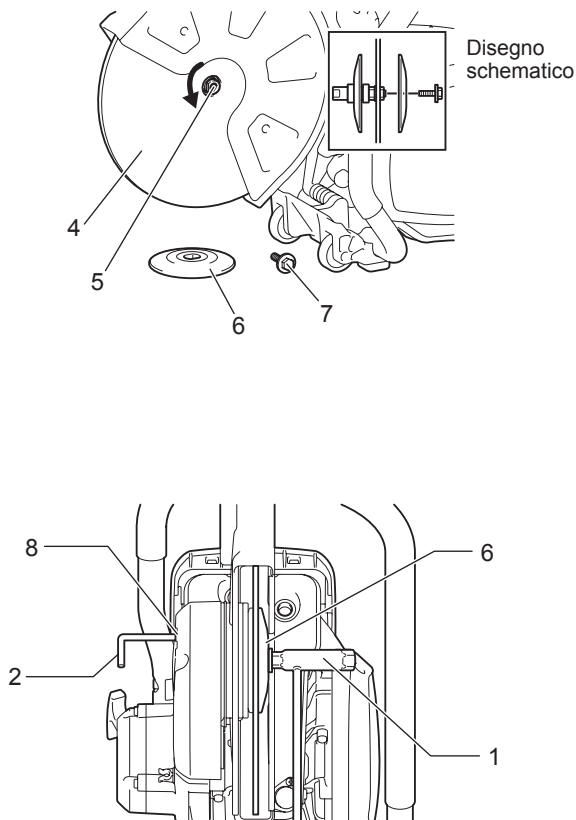
**NOTA:** Se nel foro dell'utensile è installato il supporto per il sistema acqua di pressione, è necessario rimuoverlo prima di montare il disco di taglio.

2. Tenendo la chiave (2) in posizione, utilizzare la chiave combinata (1) in dotazione e ruotare il bullone (7) che trattiene il disco in senso antiorario, rimuovendo il bullone (7) e la flangia esterna (6).
3. Montare un disco di taglio diamantato/disco abrasivo (4) nel foro (5). Posizionare quindi la flangia esterna (6) sul mandrino in modo che le due superfici piane parallele sulla flangia esterna si adattino alla superficie piatta del mandrino; serrare infine il bullone in senso orario.

Prima di montare un disco di taglio diamantato, montare un anello con lo stesso diametro dell'alesaggio del disco e l'O-ring fornito per trattenere l'anello sul mandrino.

Montare quindi il disco di taglio.

**NOTA:** Serrare saldamente il bullone esagonale (25 - 31 Nm), perché altrimenti la mola di taglio potrebbe scivolare durante il taglio.



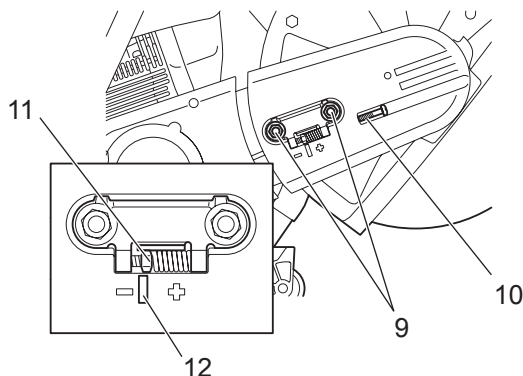
## Serraggio e controllo della tensione della cinghia a V

### IMPORTANTE:

Un'esatta tensione della cinghia a V è fondamentale per ottenere le massime prestazioni di taglio con un consumo minimo di carburante. Una tensione errata della cinghia a V provoca un'usura precoce della cinghia stessa nonché danni al cuscinetto della frizione.



**NOTA:** I due dadi esagonali (9) devono essere allentati prima di serrare la cinghia a V o di controllarne la tensione. Per aumentare la tensione della cinghia, ruotare le vite di messa in tensione (10) verso destra (in senso orario) con la chiave combinata inclusa nella sega circolare. La tensione della cinghia è regolata correttamente quando il dado (11) si trova nel punto mostrato in figura rispetto alla posizione dell'indicatore (12).



### IMPORTANTE:

- Dopo il serraggio e l'ispezione, assicurarsi di serrare il bullone esagonale (9) (25 - 31 Nm).
- Non regolare la tensione della cinghia quando la macchina è calda. Sussiste il rischio di scottature.

## Prima dell'uso

### 1. Controllo e rifornimento dell'olio motore

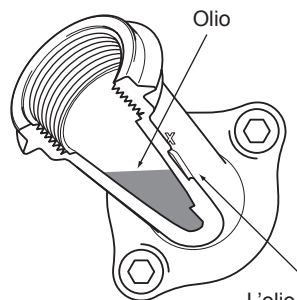
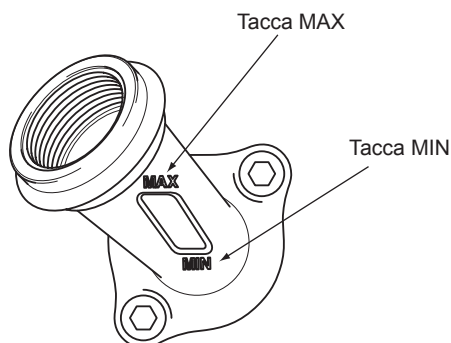
- Con il motore freddo, controllare e rifornire l'olio motore procedendo come segue.
  - Posizionare il motore su una superficie in piano e verificare se l'olio è compreso tra le tacche MAX e MIN nel serbatoio.
  - Se l'olio è insufficiente (vicino alla tacca MIN del serbatoio), riempire il serbatoio dell'olio fino alla tacca MAX.
  - La quantità dell'olio può essere controllata dall'esterno senza rimuovere il tappo dell'olio grazie alla finestrella di misurazione.
  - Indicativamente l'olio deve essere rabboccato ogni dieci ore di funzionamento (un serbatoio d'olio per dieci rifornimenti di carburante).
  - Sostituire l'olio se risulta particolarmente sporco o scolorito.
- <Olio consigliato> ..... Utilizzare olio SAE 10W-30 di grado API e classe SF o superiore (olio motore per automobili a quattro tempi).
- <Quantità d'olio> ..... 0,22 L (220 mL)

### NOTA:

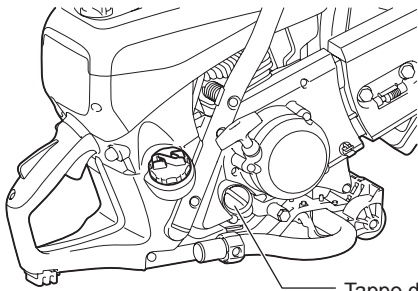
- Se il motore non viene conservato in verticale, l'olio può circolare all'interno del motore, causando un eccesso d'olio nella sega circolare in fase di rifornimento.
- Se l'olio supera la tacca MAX possono verificarsi perdite che causano sporcizia e fumo bianco.

### Sostituzione dell'olio - Punto 1 <Tappo dell'olio>

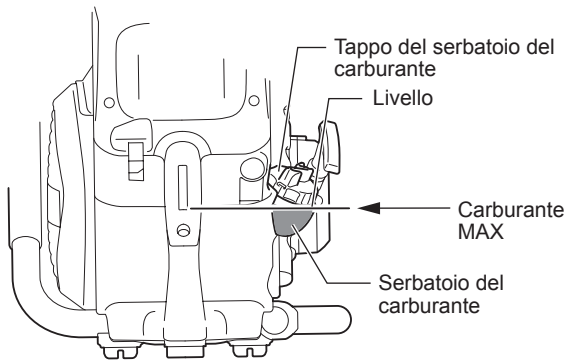
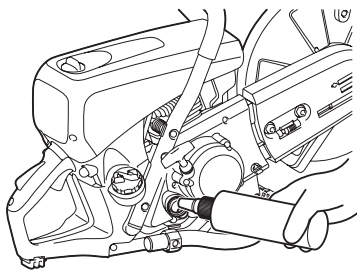
- Intervallo di sostituzione: inizialmente dopo 20 ore di funzionamento, successivamente ogni 30 ore di funzionamento.
- Rimuovere la sporcizia dal bocchettone di rifornimento, quindi rimuovere il tappo dell'olio.
  - Appoggiare il tappo dell'olio su una superficie dove non accumuli polvere e sporcizia. Se il tappo che viene riapplicato è sporco, la circolazione dell'olio può deteriorarsi, causando l'usura dei componenti del motore e conseguenti guasti meccanici.



L'olio è visibile da qui, pertanto è possibile utilizzare le tacche MAX e MIN per controllare la quantità d'olio.



Tappo del serbatoio dell'olio



- (1) Appoggiare il motore su una superficie in piano e rimuovere il tappo dell'olio.
- (2) Rabboccare l'olio fino alla base del bocchettone di rifornimento.  
Per il rifornimento dell'olio utilizzare un contenitore adatto al lubrificante.
- (3) Serrare il tappo dell'olio. Se il tappo dell'olio è allentato possono verificarsi perdite d'olio.

#### Sostituzione dell'olio - Punto 2 <Che cosa fare se si versa dell'olio>

Se si versa dell'olio tra il serbatoio del carburante e il motore, quando la sega circolare viene messa in funzione l'olio viene aspirato dall'ingresso dell'aria fredda e potrebbe causare la formazione di sporcizia. Rimuovere sempre l'olio versato prima di utilizzare la sega circolare.

#### 2. Rifornimento

##### ⚠ AVVERTENZA:

- **Controllare sempre quanto riportato di seguito durante il rifornimento. La mancata osservanza delle istruzioni può causare fiamme e incendi.**
  - Effettuare il rifornimento lontano dalle fiamme. Non fumare e non avvicinare alcun tipo di fiamma al carburante o alla sega circolare durante il rifornimento.
  - Spegnerne il motore e attenderne il raffreddamento prima di effettuare il rifornimento.
  - Aprire sempre lentamente il tappo del serbatoio del carburante in modo da liberare la pressione interna in maniera controllata. La mancata osservanza di questa istruzione può causare spruzzi di carburante dovuti alla pressione interna.
  - Evitare di versare il carburante. Pulire con cura il carburante eventualmente versato.
  - Effettuare il rifornimento in un ambiente ben aerato.
- **Maneggiare sempre il carburante con la massima attenzione.**
  - Se il carburante entra a contatto con la pelle e/o con gli occhi potrebbero verificarsi reazioni allergiche e/o infiammazioni.  
In caso di reazioni allergiche e/o infiammazioni, consultare immediatamente uno specialista medico.

#### <Periodo di conservazione del carburante>

In generale, il carburante conservato in un contenitore apposito in un luogo in ombra e ben aerato può essere utilizzato entro quattro settimane. Se non viene utilizzato un contenitore apposito, o se non si applica il tappo al contenitore o anche nella stagione estiva, il carburante può deteriorarsi in un giorno.

#### Conservazione della sega circolare e del contenitore del carburante

- Conservare la sega circolare e il contenitore del carburante in un luogo fresco non esposto alla luce diretta del sole.
- Non lasciare la sega circolare rifornita di carburante o il contenitore del carburante in un'automobile o nel relativo bagagliaio.

#### <Carburante>

Il motore è a quattro tempi, quindi richiede normale benzina per automobili.

#### Informazioni sul carburante

- Non utilizzare una miscela di benzina e olio. In caso contrario può verificarsi un accumulo di carbone con conseguenti guasti meccanici.
- L'impiego di carburante vecchio può influire sul corretto avviamento del motore.

#### <Rifornimento>

Spegnerne sempre il motore e attenderne il raffreddamento prima di effettuare il rifornimento.

#### <Benzina utilizzabile> ..... Benzina per automobili

- Allentare leggermente il tappo del serbatoio del carburante per liberare la pressione ed equilibrare la pressione dell'aria esterna con quella interna.
- Rimuovere il tappo del serbatoio del carburante ed effettuare il rifornimento. Non rifornire fino al limite superiore del bocchettone del serbatoio.
- Dopo il rifornimento, serrare il tappo del serbatoio del carburante.
- Il tappo del serbatoio del carburante è un materiale di consumo. Se dovesse mostrare segni di usura o altre anomalie è opportuno sostituirlo. Come regola generale la sostituzione va effettuata ogni due o tre anni.

# Funzionamento

## Avviamento

### ⚠ AVVERTENZA:

Non avviare il motore nell'ambiente in cui è stato effettuato il rifornimento. Allontanarsi di almeno tre metri dal punto in cui è stato effettuato il rifornimento della sega circolare.

- La mancata osservanza delle istruzioni può causare fiamme e incendi.

### ⚠ ATTENZIONE:

Prima di avviare il motore, verificare che il disco di taglio non sia a contatto con il terreno o con altri ostacoli.

- Se il disco di taglio è a contatto con il terreno o con altri oggetti possono verificarsi incidenti.

Il disco di taglio inizia a ruotare non appena il motore è avviato, quindi è bene tenere presente la posizione degli osservatori e degli ostacoli.

### 1. Avviamento a freddo

- (1) Premere più volte la pompa del carburante fino a quando il carburante non entra in circolo.
- (2) Spostare l'interruttore nella direzione ↗ (starter).
- (3) Tenere premuta l'impugnatura posteriore con un piede e l'impugnatura tubolare con una mano.
- (4) Tirare più volte e con forza l'impugnatura di avviamento fino a udire il primo rumore di accensione.

### Riscaldamento

- Dopo l'avviamento del motore, tenere premuta la leva di sicurezza, quindi azionare e rilasciare più volte l'acceleratore per uno o due minuti in modo da riscaldare il motore.
- Una volta stabilizzato il regime del motore, che passa senza problemi dalla bassa all'alta velocità, il riscaldamento è completato.

### 2. Avviamento a motore caldo

Premere più volte la pompa del carburante. Portare l'interruttore nella posizione [I] (di funzionamento), quindi avviare il motore con l'operazione (3) della procedura 1 di cui sopra.

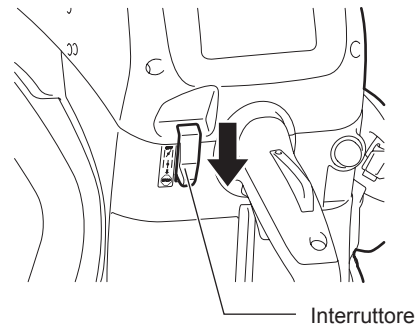
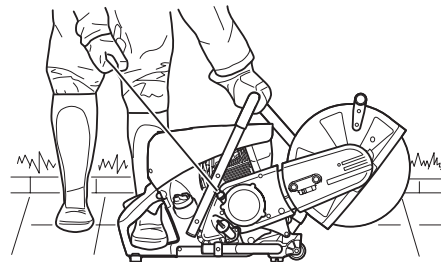
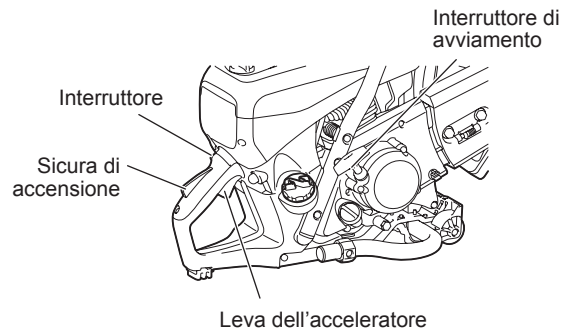
### NOTA:

- Se si tira e rilascia più volte l'interruttore di avviamento con l'interruttore nella posizione "starter", il motore viene inondato di carburante e l'avviamento risulta difficoltoso.
- All'arresto del motore è importante non stringere inutilmente la leva dell'acceleratore, in quanto il motore verrebbe inondato di carburante provocando un avviamento difficoltoso.
- Se il motore viene inondato di carburante, rimuovere la candela e tirare lentamente l'impugnatura di avviamento più volte per rimuovere il carburante in eccesso. Asciugare quindi la sezione degli elettrodi della candela.
- Non tirare l'impugnatura di avviamento fino al limite della corda, in quanto si potrebbe ridurre la durata della corda. Inoltre, è opportuno riportare lentamente in posizione l'impugnatura di avviamento, anziché rilasciarla improvvisamente.
- Evitare di lasciare in funzione la sega circolare al massimo regime minimo, in quanto si potrebbe ridurre la durata della sega circolare.

### 3. Arresto

Per spegnere il motore, rilasciare l'acceleratore e portare l'interruttore nella posizione  (Stop).

Se la leva del dispositivo di avviamento viene portata per sbaglio nella posizione ↗ per arrestare il dispositivo, utilizzare la mezza potenza per riavviare.





## Regolazione del carburatore

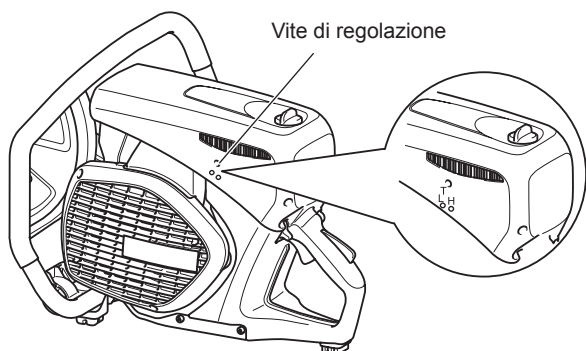
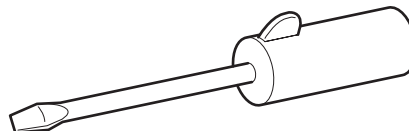


**NOTA:** Il motore è dotato di un'accensione elettronica per limitare la velocità. Il carburatore dispone inoltre di un getto fisso non regolabile.

In fabbrica la velocità al minimo è stata impostata su circa  $2.600 \text{ min}^{-1}$ , ma il processo di avviamento di un nuovo motore potrebbe richiedere una leggera regolazione della velocità al minimo.

Impostare la velocità al minimo con un cacciavite (larghezza della lama: 4 mm).

Un cacciavite dotato di aletta preformata, fornito come accessorio opzionale, si rivela utile per la regolazione.



### 4. Regolazione del minimo

**ATTENZIONE:** La regolazione del carburatore può essere effettuata unicamente da un centro assistenza autorizzato MAKITA.

Non effettuare regolazioni delle viti di regolazione (H) e (L) senza l'uso di un tachimetro. Una regolazione errata può causare danni al motore.

È necessario un tachimetro per la regolazione delle viti di regolazione (H) e (L), in quanto il funzionamento del motore alla massima velocità nominale può provocarne il surriscaldamento e l'esaurimento del lubrificante. Questi fattori possono provocare danni al motore.

L'operatore può operare esclusivamente sulla vite di regolazione (T). Se il disco di taglio si muove con il regime al minimo (vale a dire senza che si preme l'acceleratore), è indispensabile regolare la velocità al minimo.

La regolazione della velocità al minimo deve essere effettuata esclusivamente a motore caldo e con un filtro dell'aria pulito.

Utilizzare un cacciavite (con lama da 4 mm) per le regolazioni del minimo.

## MANUTENZIONE

**ATTENZIONE:**

- Prima di effettuare qualunque intervento sulla sega circolare, spegnere il motore e lasciarlo raffreddare, quindi rimuovere il disco di taglio, staccare la candela e indossare guanti di protezione.

L'esecuzione della manutenzione subito dopo aver arrestato il motore o con la candela ancora attaccata può provocare ustioni dovute al motore caldo o infortuni conseguenti a un avviamento accidentale.

- Avviare la sega circolare solo dopo averla montata e ispezionata interamente.
- Evitare assolutamente di usare benzina, diluenti, solventi, alcol o sostanze simili. In caso contrario, potrebbero verificarsi scoloriture, deformazioni o incrinature.

**NOTA:**

- Rimuovere la sporcizia dalla sega circolare e scegliere un luogo pulito in cui effettuare la manutenzione.







## ASSISTENZA

### IMPORTANTE:

Visto che molte parti non citate nel presente manuale di istruzioni sono fondamentali per la sicurezza dell'unità, e poiché tutte le parti sono comunque soggette a usura, per ragioni di sicurezza è importante richiedere periodicamente il controllo e la manutenzione dell'unità presso un centro assistenza MAKITA.

### IMPORTANTE:

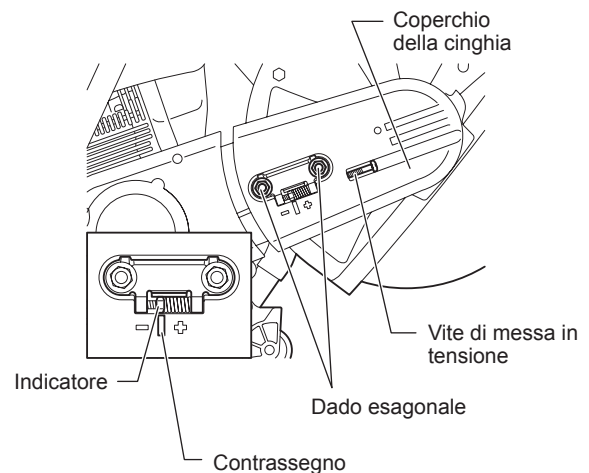


Se la mola di taglio si spezza durante il taglio, è necessario far riparare la sega circolare presso un centro assistenza MAKITA prima di utilizzarla di nuovo.

### Cinghia a V

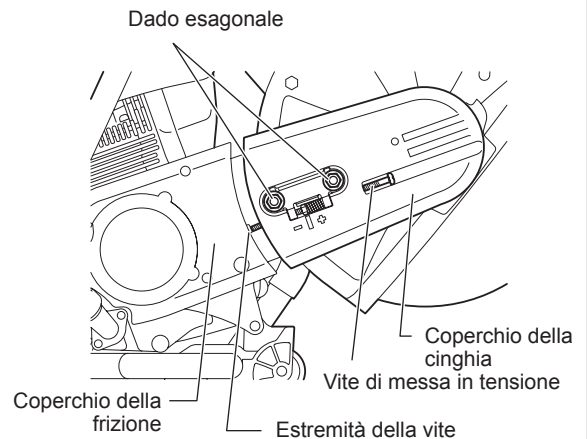
#### 1. Regolazione della tensione della cinghia a V

- Se il disco di taglio si blocca facilmente durante un'operazione è probabile che la cinghia a V sia allentata. In questo caso è possibile regolare la tensione con la seguente procedura.
  - (1) Allentare i dadi di serraggio del coperchio della cinghia.
  - (2) Ruotare verso destra (in senso orario) la vite di regolazione della tensione fino a quando l'indicatore raggiunge la posizione contrassegnata, in modo da aumentare la tensione della cinghia a V.
  - (3) Una volta completata la vite di messa in tensione della cinghia a V è possibile stringere i dadi di serraggio del coperchio della cinghia.
- Se il disco di taglio si blocca facilmente anche dopo aver regolato la tensione della cinghia a V, oppure se la cinghia a V si rompe, è necessario sostituirla con una cinghia a V nuova.



#### 2. Sostituzione della cinghia a V

- (1) Allentare il dado di serraggio e ruotare a sinistra la vite di regolazione della tensione fino a quando non diventa visibile l'estremità della vite.
- (2) Rimuovere i dadi di serraggio, quindi rimuovere il coperchio della cinghia.
- (3) Rimuovere quindi le tre viti di montaggio e il coperchio della frizione.
- (4) Rimuovere la vecchia cinghia a V e inserirne una nuova. Riapplicare il coperchio della frizione e quindi il coperchio della cinghia.
- (5) Regolare la tensione come mostrato nella sezione "Regolazione della tensione della cinghia a V".

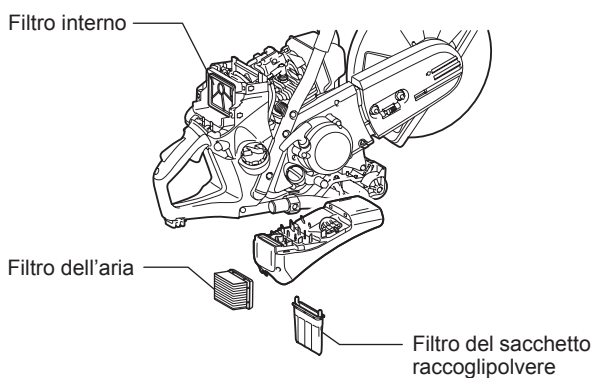
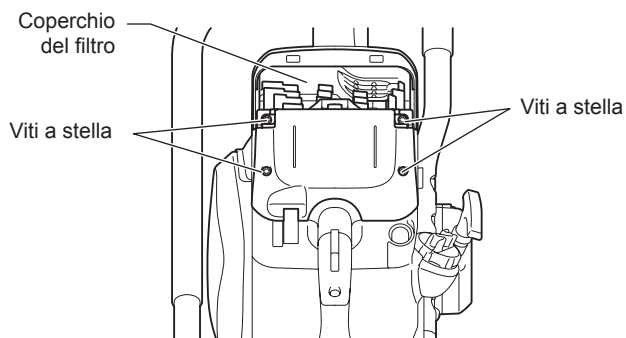
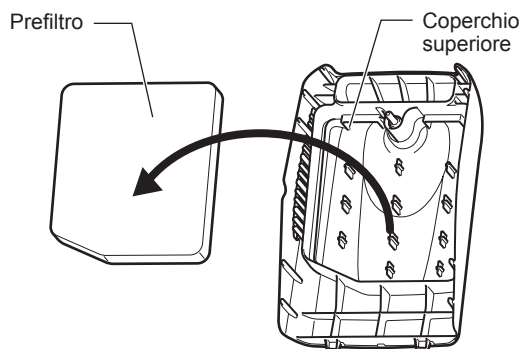
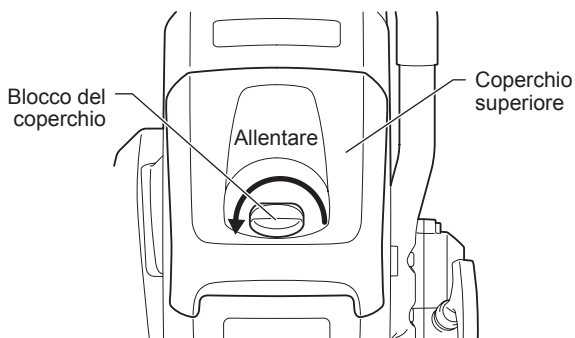


### Pulizia del riparo

Con il tempo nella parte interna del riparo possono accumularsi residui di materiali (in particolare se si effettua il taglio a umido) che possono intralciare la rotazione del disco di taglio. Per questo motivo è necessario pulire regolarmente il riparo. Estrarre la mola di taglio e rimuovere il materiale accumulatosi all'interno del riparo con un'astina di legno o simili. Pulire l'albero e tutte le parti smontate con un panno.

**NOTA:** Per montare la mola di taglio vedere "Montaggio del disco di taglio".



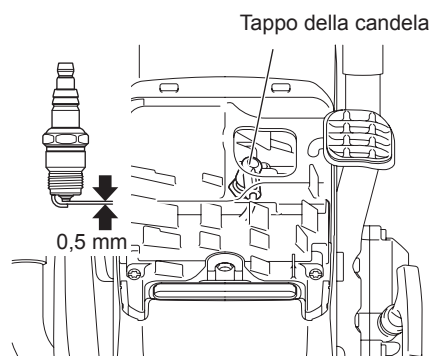
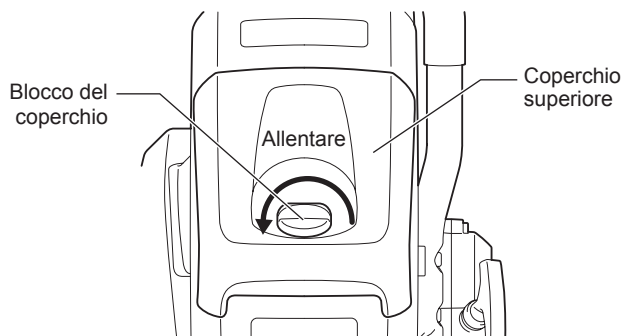


## Pulizia e sostituzione del filtro dell'aria

- Un filtro dell'aria ostruito può influire negativamente sulle prestazioni del motore. Di conseguenza, è opportuno pulire il filtro dell'aria ad ogni utilizzo della sega circolare, procedendo come segue.
- Ruotare a sinistra il blocco del coperchio e rimuoverlo.
- Rimuovere il coperchio superiore dopo aver soffiato via la polvere da esso.
- Rimuovere quindi il prefiltra.
- Rimuovere le quattro viti a stella.
- Rimuovere il coperchio del filtro.
- Rimuovere il filtro dell'aria.
- Rimuovere il filtro del sacchetto raccogli-polvere dal coperchio del filtro, quindi picchiettare delicatamente e soffiare su di esso per pulirlo.
- Picchiettare e soffiare sul filtro interno per rimuovere polvere e sporcizia. Di tanto in tanto è opportuno lavare il filtro interno con acqua e sapone, lasciandolo asciugare bene.
- Per pulire il filtro dell'aria è sufficiente picchiettarvi leggermente. Se si utilizza un compressore, soffiare l'aria compressa sulla parte interna del filtro dell'aria. Non lavare il filtro dell'aria.
- Soffiare la polvere intorno ai filtri.
- Rimontare il filtro dell'aria sul coperchio del filtro al termine della pulizia.
- Serrare saldamente il blocco del coperchio.

## Manutenzione della candela

- (1) Allentare il blocco del coperchio e rimuovere il coperchio superiore.
- (2) Aprire il coperchio della candela, quindi staccare e rimuovere la candela.
- (3) Verificare che la distanza tra gli elettrodi sia pari a 0,5 mm; qualora sia superiore o inferiore, effettuare la regolazione a 0,5 mm.
- (4) Se sulla candela si sono accumulati carbone e/o sporcizia, effettuare la pulizia e poi rimontarla. Una candela eccessivamente usurata o bruciata deve essere sostituita con una nuova.
- (5) Dopo aver eseguito la manutenzione, rimontare la candela, attaccarla e fissare il coperchio della candela.



## Sostituzione della testina di aspirazione

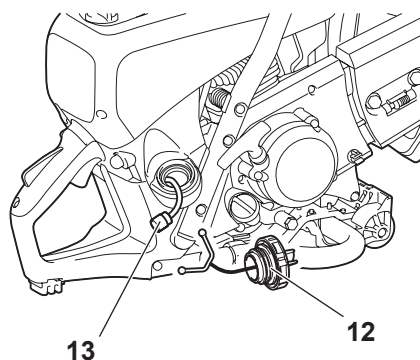
Il filtro del serbatoio del carburante (13) della testina di aspirazione può intasarsi. Si consiglia di sostituire la testina di aspirazione ogni tre mesi per garantire un flusso costante di carburante al carburatore.

Svitare il tappo del serbatoio del carburante (12) ed estrarre il fermo di prevenzione delle perdite.

Svuotare il serbatoio del carburante.

Per rimuovere la testina di aspirazione e sostituirla, estrarla dal bocchettone del serbatoio utilizzando un pezzo di filo metallico piegato a un'estremità per formare un gancio.

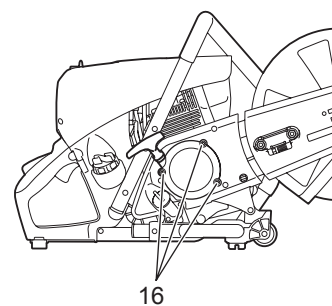
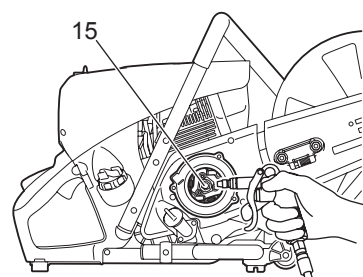
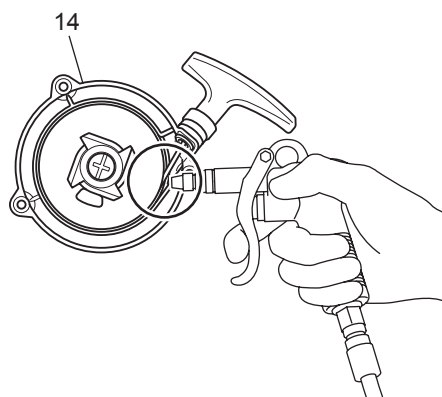
**⚠ ATTENZIONE:** Evitare il contatto del carburante con la pelle.



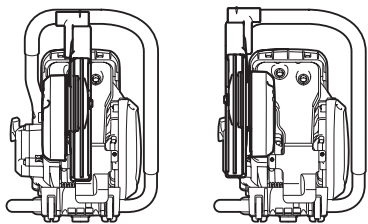
## Pulizia dello starter

Quando lo starter non funziona correttamente (la corda di avviamento non torna nella posizione iniziale, per esempio), è necessario soffiare via la polvere dallo starter (14) e dalla frizione (15).

Per la pulizia di starter e frizione, rimuovere le tre viti (16) di montaggio.



Direzione di montaggio



A

B

## Modifica della posizione dell'accessorio di taglio (centrale/laterale)

### Direzione di montaggio del riparo

- L'accessorio di taglio della sega circolare viene montato nella direzione mostrata nella Fig. A. Se si desidera è possibile utilizzare la seguente procedura per montarlo nella direzione mostrata nella Fig. B.

### Montaggio nella direzione B

- (1) Allentare il dado di serraggio e ruotare a sinistra la vite di regolazione della tensione fino a quando non diventa visibile l'estremità della vite. (Fig. 1)
  - (2) Rimuovere i dadi di serraggio, quindi rimuovere il coperchio della cinghia. (Fig. 1)
  - (3) Ruotare il riparo nella posizione della linea interrotta. Rimuovere la cinghia a V e quindi l'accessorio di taglio dalla sega circolare. Riposizionare il punto di presa. (Fig. 2)
  - (4) Sollevare l'albero di bloccaggio con un cacciavite piatto o una pinza. (Fig. 3)
  - (5) Ruotare il braccio fino a toccare il punto di presa e riportare l'albero di bloccaggio nella posizione originale spingendolo con la mano. (Fig. 4)
  - (6) Capovolgere l'accessorio di taglio rimosso, far passare il bullone nel foro e rimontarlo nella direzione B. Rimontare la cinghia a V sulla puleggia. (Fig. 6)
  - (7) Montare il coperchio della cinghia. (Fig. 7)
- Ruotare la vite di regolazione della tensione per regolare la tensione della cinghia a V. Una volta regolata la tensione è possibile stringere il dado di serraggio.

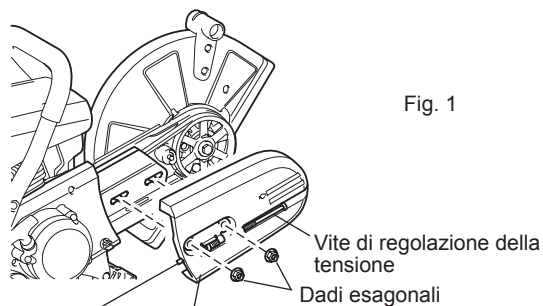


Fig. 1

Estremità della vite

Coperchio della cinghia

Riparo

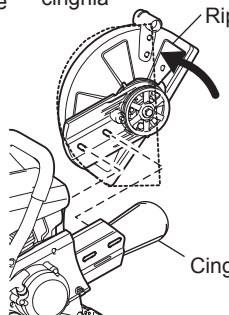


Fig. 2

Cinghia a V

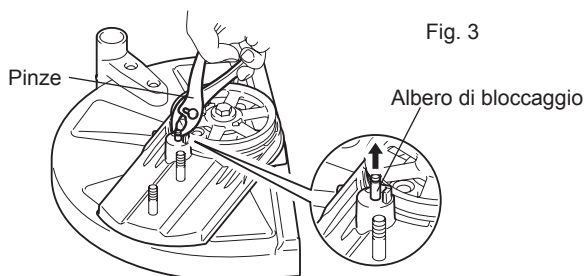


Fig. 3

Pinze

Albero di bloccaggio

Braccio

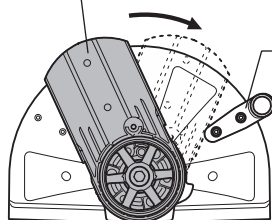


Fig. 4

Punto di presa

Riposizionare

Bulloni

Punto di presa

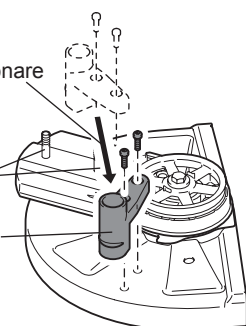


Fig. 5

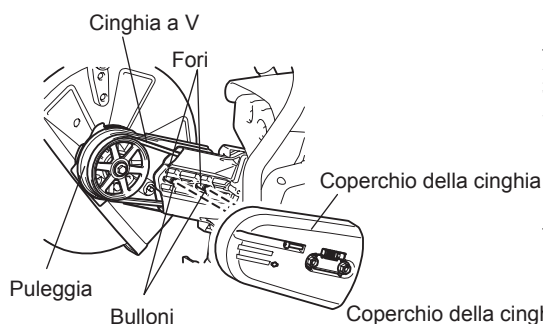
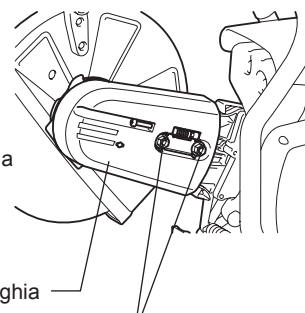


Fig. 6



Dado esagonale

Fig. 7

## ACCESSORI SPECIALI

### Dischi di taglio diamantati

I dischi di taglio diamantati MAKITA soddisfano le richieste più esigenti per quanto riguarda la sicurezza operativa, la facilità d'uso e le prestazioni di taglio economiche. Possono essere utilizzate per il taglio di tutti i materiali, **tranne il metallo**.

L'elevata durata della grana diamantata garantisce un'usura limitata e di conseguenza una vita utile prolungata, senza variazioni nel diametro del disco per l'intera durata. Si ottengono così prestazioni di taglio coerenti e anche un discreto risparmio. Le sorprendenti qualità di taglio dei dischi facilitano le operazioni.

Le piastre per disco in metallo consentono un funzionamento altamente concentrico per ridurre al minimo le vibrazioni durante l'uso.

L'uso di dischi di taglio diamantati riduce notevolmente i tempi di taglio.

Si riducono così anche i costi operativi (consumo di carburante, usura dei componenti, riparazioni e danni all'ambiente).

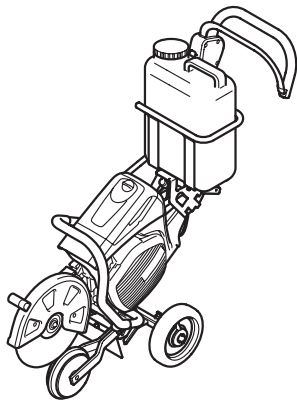
### Carrello guida

Il carrello guida MAKITA facilita l'esecuzione di tagli rettilinei riducendo la fatica implicita nel lavoro. Può essere regolato in base all'altezza dell'operatore e può essere azionato con l'accessorio di taglio montato al centro o lateralmente.

È possibile aggiungere un limitatore di profondità per facilitare e rendere ancora più preciso il taglio. Consente di mantenere l'esatta profondità di taglio predeterminata.

Per ridurre la polvere e ottenere un miglior raffreddamento del disco di taglio, MAKITA mette a disposizione diverse opzioni per bagnare il disco durante l'uso.

- Set del carrello  
È utile per il taglio della sede stradale
- Set di filtri  
Prefiltro (5 filtri)  
Filtro dell'aria (1 filtro)  
Filtro del sacchetto raccogli-polvere (1 filtro)



### Serbatoio dell'acqua (componente del carrello)

Il serbatoio dell'acqua è progettato per il montaggio sul carrello guida.

La sua alta capacità lo rende adatto alle situazioni che richiedono frequenti cambiamenti di sede. Per il riempimento o per il rapido passaggio ai serbatoi di riserva è possibile estrarre il serbatoio dal carrello.

Il serbatoio dell'acqua è fornito con tutti i collegamenti e i tubi necessari. Il montaggio sul carrello e sulla sega circolare sono facili e veloci.

### Impianto idraulico/Sistema acqua di pressione

L'impianto idraulico/il sistema di acqua di pressione è progettato per il montaggio sulla sega circolare. Può essere utilizzato con o senza il carrello, ma è particolarmente adatto alle applicazioni che prevedono un taglio manuale fisso. La linea dell'acqua presenta un collegamento a rilascio rapido e può essere alimentata direttamente da un rubinetto o da un serbatoio in pressione (7).

L'impianto idraulico è fornito con tutti i collegamenti e i tubi necessari. Può essere montato facilmente e velocemente sulla sega circolare.

## Diagramma di manutenzione

Componente	Tempo di funzionamento	Prima dell'uso	Dopo il rifornimento	Ogni giorno (10 ore)	20 ore	30 ore	50 ore	200 ore	Prima dello stoccaggio	P corrispondente
Olio motore	Controllare/pulire	○								92
	Sostituire					○*1				
Elementi di fissaggio (bullone, dado)	Ispezionare	○								—
Serbatoio del carburante	Pulire/ispezionare	○								—
	Scaricare il carburante								○*3	87
Cinghia a V	Controllare/regolare	○								96
Leva dell'acceleratore	Controllare il funzionamento		○							—
Interruttore di arresto	Controllare il funzionamento		○							94
Disco di taglio	Ispezionare	○		○						84
Velocità al minimo	Controllare/regolare			○						95
Filtro dell'aria	Pulire						○			97
Filtro del sacchetto raccogli-polvere	Pulire/sostituire				○					97
Prefiltro	Pulire/sostituire			○						97
Candela	Ispezionare			○						98
Passaggio dell'aria di raffreddamento e alette del cilindro	Pulire/ispezionare			○						—
Tubo del carburante	Ispezionare			○						—
	Sostituire							◎*2		—
Filtro del carburante	Pulire/sostituire						○			98
Gioco della valvola (valvola di ingresso e valvola di scarico)	Controllare/regolare							◎*2		—
Carburatore	Scaricare il carburante								○*3	87

\*1 Eseguire la sostituzione iniziale dopo 20 ore di funzionamento.

\*2 Per l'ispezione dopo 200 ore di funzionamento rivolgersi a un rappresentante autorizzato dell'assistenza o a un'officina.

\*3 Dopo aver vuotato il serbatoio del carburante, procedere con l'avviamento del motore e lo scarico del carburante nel carburatore.



## Individuazione dei guasti

Guasto	Sistema	Osservazione	Causa
Il disco di taglio non inizia a ruotare	Frizione	Motore in funzione	Danno alla frizione
Il motore non si avvia o si avvia con difficoltà	Sistema di accensione	Scintilla di accensione presente Nessuna scintilla di accensione	Guasto nell'alimentazione del carburante o nel sistema di compressione, difetto meccanico Interruttore di arresto azionato, errore di cablaggio o corto circuito, candela o connettore difettoso, modulo di accensione guasto
	Alimentazione del carburante	Serbatoio del carburante riempito	Posizione del dispositivo di avviamento non corretta, carburatore difettoso, linea di alimentazione del carburante piegata o bloccata, carburante sporco
	Sistema di compressione	Nessuna compressione	Guarnizione di testa del cilindro difettosa, guarnizioni dell'albero motore danneggiate, anelli del cilindro o del pistone difettosi, tenuta difettosa della candela
	Guasto meccanico Frizione	Starter non innestato La sporczia aderisce alla frizione e ai componenti circostanti	Molla dello starter rotta, parti danneggiate all'interno del motore La molla del cricchetto è sporca e aperta: procedere con la pulizia
Problemi nell'avviamento a caldo	Carburatore	Serbatoio riempito, scintilla di accensione presente	Carburatore contaminato, effettuarne la pulizia
Il motore si avvia ma si spegne immediatamente	Alimentazione del carburante	Serbatoio riempito	Regolazione del minimo errata, testina di aspirazione o carburatore contaminati Apertura del serbatoio del carburante difettosa, linea di alimentazione del carburante interrotta, cavo o interruttore di arresto difettosi
Prestazioni insufficienti	Possono essere interessati più sistemi contemporaneamente	Minimo scadente del motore	Filtro dell'aria contaminato, carburatore contaminato, marmitta intasata, condotto di scarico del cilindro intasato

## Risoluzione dei problemi

Prima di richiedere una riparazione è opportuno individuare il problema autonomamente. Se viene rilevata un'anomalia, controllare la macchina secondo la descrizione nel presente manuale. Non smontare o manomettere le parti non indicate nella descrizione. Per le riparazioni rivolgersi all'agente autorizzato dell'assistenza o al rivenditore di zona.

Anomalia	Probabile causa (problema di funzionamento)	Soluzione
Il motore non si avvia	Impossibile utilizzare la pompa del carburante	Premere da 7 a 10 volte
	Velocità di tiraggio ridotta della corda di avviamento	Tirare con forza
	Mancanza di carburante	Rifornire di carburante
	Filtro del carburante intasato	Pulire
	Tubo del carburante rotto	Raddrizzare il tubo del carburante
	Carburante deteriorato	Il carburante deteriorato rende difficoltoso l'avviamento. Sostituire con carburante nuovo. (sostituzione consigliata: 1 mese)
	Aspirazione eccessiva di carburante	Portare la leva dell'acceleratore dalla posizione di velocità media alla posizione di velocità alta e tirare l'impugnatura dello starter fino ad avviare il motore. Il disco di taglio inizia a ruotare a seguito dell'avviamento del motore. Prestare la massima attenzione al disco di taglio. Se il motore ancora non si avvia, staccare la candela, asciugare l'elettrodo e rimontarla come in origine. Procedere quindi all'avviamento come specificato.
	Tappo della candela staccato	Attaccarlo saldamente
	Candela contaminata	Pulire
	Distanza anomala della candela	Regolare la distanza
	Altra anomalia della candela	Sostituire
	Carburatore anomalo	Richiedere l'ispezione e la manutenzione.
	Impossibile tirare la corda di avviamento	Richiedere l'ispezione e la manutenzione.
	Sistema di guida anomalo	Richiedere l'ispezione e la manutenzione.
La frizione e i componenti circostanti sono sporchi	Pulire	
Il motore si arresta subito La velocità del motore non aumenta	Riscaldamento insufficiente	Eseguire l'operazione di riscaldamento
	La leva del dispositivo di avviamento è nella posizione "H" anche se il motore è stato riscaldato.	Portarla nella posizione "ON III"
	Filtro del carburante intasato	Pulire
	Filtro dell'aria contaminato o intasato	Pulire
	Carburatore anomalo	Richiedere l'ispezione e la manutenzione.
	Sistema di guida anomalo	Richiedere l'ispezione e la manutenzione.
Il disco di taglio non ruota ↓ Arrestare immediatamente il motore	Bullone di serraggio del disco di taglio allentato	Serrarlo saldamente
	Sistema di guida anomalo	Richiedere l'ispezione e la manutenzione.
L'unità principale vibra in modo anomalo ↓ Arrestare immediatamente il motore	Disco di taglio rotto, piegato o usurato	Sostituire la lama di taglio
	Bullone di serraggio del disco di taglio allentato	Serrarlo saldamente
	Sistema di guida anomalo	Richiedere l'ispezione e la manutenzione.
Il disco di taglio non si ferma immediatamente ↓ Arrestare immediatamente il motore	Rotazione al minimo elevata	Effettuare la regolazione
	Collegamento dell'acceleratore staccato	Richiedere l'ispezione e la manutenzione.
	Sistema di guida anomalo	Richiedere l'ispezione e la manutenzione.
Il motore non si arresta ↓ Avviare il motore al minimo e portare la levetta dell'aria nella posizione "H"	Connettore staccato	Attaccarlo saldamente
	Impianto elettrico anomalo	Richiedere l'ispezione e la manutenzione.

Se il motore non si avvia dopo l'operazione di riscaldamento:

Se non vengono rilevate anomalie, aprire l'acceleratore di circa 1/3 e avviare il motore.

## Conservazione

### AVVERTENZA:

**Prima di scaricare il carburante, spegnere sempre il motore e lasciarlo raffreddare.**

- Il drenaggio del carburante subito dopo l'arresto del motore può causare fiamme o incendi, con conseguente pericolo di ustioni.

### ATTENZIONE:

**Se la sega circolare non deve essere utilizzata per un periodo prolungato, scaricare tutto il carburante e conservare la sega circolare in un ambiente pulito e asciutto.**

- Attenersi alle seguenti procedure per scaricare il carburante dal serbatoio del carburante e dal carburatore.

- (1) Rimuovere il tappo del serbatoio del carburante e scaricare il carburante fino a svuotare il serbatoio.  
Verificare quindi se vi sono corpi estranei all'interno del serbatoio del carburante. In tal caso procedere alla rimozione.
- (2) Utilizzare un pezzo di filo o simili per estrarre il filtro del carburante dal bocchettone del serbatoio.
- (3) Premere la pompa del carburante fino a riportare tutto il carburante nel serbatoio, quindi svuotare il serbatoio del carburante.
- (4) Rimontare il filtro del carburante nel serbatoio del carburante e serrare il relativo tappo.
- (5) Lasciare in funzione il motore fino all'arresto.
- (6) Staccare la candela e lasciar cadere diverse gocce di olio motore nel foro della candela.
- (7) Tirare delicatamente l'impugnatura dello starter per far circolare l'olio nel motore, quindi inserire la candela.
- (8) Versare il carburante scaricato in un apposito contenitore e conservarlo in un ambiente in ombra e ben aerato.

## Hartelijk dank voor uw aanschaf van een MAKITA-product!

Gefeliciteerd met uw keuze voor een MAKITA-doorslijpmachine! Wij zijn ervan overtuigd dat u zeer tevreden zult zijn over dit moderne stuk gereedschap.

Wij willen dat u tevreden bent over uw MAKITA-product.

Om een optimale werking en optimale prestaties van uw doorslijpmachine te garanderen, en om uw persoonlijke veiligheid te garanderen, verzoeken wij u het volgende te doen:

**Lees deze gebruiksaanwijzing aandachtig door voordat u de doorslijpmachine voor het eerst in gebruik neemt en houdt u te allen tijde aan de veiligheidsinstructies! Als u deze voorzorgsmaatregelen niet in acht neemt, kan dat leiden tot ernstig letsel of zelfs de dood!**



### Alleen voor Europese landen EU-verklaring van conformiteit

**Wij, Makita Corporation, als de verantwoordelijke fabrikant, verklaren dat de volgende Makita-machine(s):**

Aanduiding van de machine: Doorslijpmachine

Modelnr./Type: EK7650H en EK7651H

Technische gegevens: zie de tabel "Technische gegevens".

in serie zijn geproduceerd en

### Voldoen aan de volgende Europese richtlijnen:

2000/14/EC en 2006/42/EC

En zijn gefabriceerd in overeenstemming met de volgende normen of genormaliseerde documenten:

EN ISO 19432

De technische documentatie wordt bewaard door onze erkende

vertegenwoordiger in Europa, te weten:

Makita International Europe Ltd.,

Michigan Drive, Tongwell,

Milton Keynes, Bucks MK15 8JD, Engeland

De conformiteitsbeoordelingsprocedure vereist door Richtlijn

2000/14/EC was is Overeenstemming met annex V.

Gemeten geluidsvermogeniveau: 113 dB (A)

Gegarandeerd geluidsvermogeniveau: 114 dB (A)

14. 1. 2011

Tomoyasu Kato

Directeur

Makita Corporation

3-11-8, Sumiyoshi-cho,

Anjo, Aichi, 446-8502 JAPAN

Inhoud	Pagina
Verpakking .....	106
Inhoud van de verpakking .....	107
Symbolen .....	107
<b>VEILIGHEIDSVORZORGSMAATREGELEN</b> .....	108
Algemene voorzorgsmaatregelen .....	108
Veiligheidsuitrusting .....	108
Brandstof en bijvullen.....	109
In gebruik nemen .....	109
Doorslijpschijven .....	110
Terugslag en vastlopen .....	111
Gedrag tijdens het werk / Werkwijze .....	111
Doorslijpen van metaal.....	112
Doorslijpen van steen en beton.....	112
Vervoer en opslag .....	113
Onderhoud .....	114
EHBO .....	114
<b>Technische gegevens</b> .....	115
<b>Naam en plaats van de onderdelen</b> .....	116
<b>IN GEBRUIK NEMEN</b> .....	117
De doorslijpschijf aanbrengen.....	117
Aandrijfriem spannen / Aandrijfriemspanning controleren.....	118
Vóór gebruik.....	118
<b>Gebruik</b> .....	120
Starten.....	120
<b>De carburator afstellen</b> .....	121
<b>ONDERHOUD</b> .....	121
Aandrijfriem .....	122
De beschermkap reinigen .....	122
Het luchtfilter reinigen/vervangen.....	123
De bougie onderhouden.....	124
Het brandstoffilter vervangen .....	124
De trekstartinrichting reinigen .....	125
De positie van de slijpkop veranderen (midden/zijkant).....	126
<b>SPECIALE ACCESSOIRES</b> .....	127
Diamantdoorslijpschijven .....	127
Slijpwagen .....	127
Watertank (onderdeel van de slijpwagen).....	127
Waterleidingnetwerk/waterspuitstelsysteem .....	127
<b>Onderhoudsschema</b> .....	128
<b>Storingzoeken</b> .....	129
<b>Problemen oplossen</b> .....	130
<b>Opslag</b> .....	131

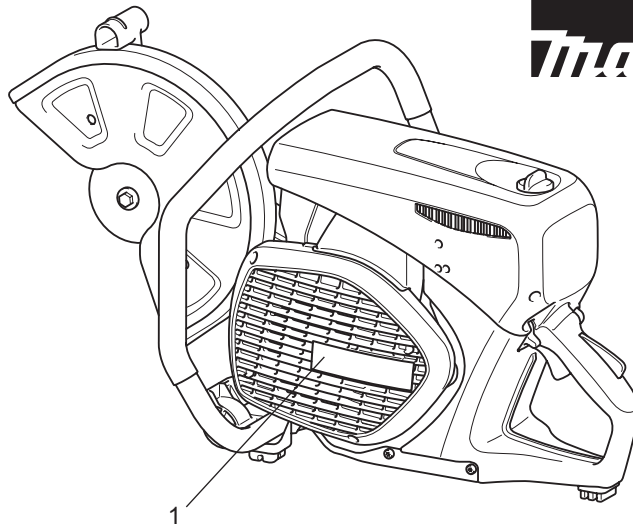
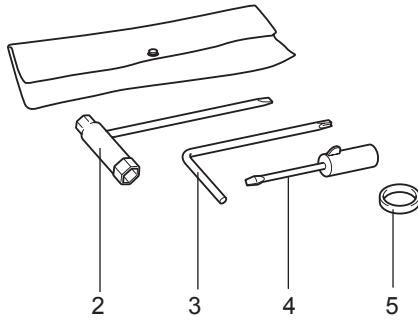
## Verpakking

Uw MAKITA-doorslijpmachine is verpakt in een kartonnen doos om beschadiging tijdens transport te voorkomen.

Karton is een ruw basismateriaal en kan daarom opnieuw worden gebruikt en is geschikt om te recyclen (oud papier recyclen).



## Inhoud van de verpakking



1. Doorslijpmachine
2. Combinatiesleutel 13/19 AF
3. Stersleutel
4. Schroevendraaier voor afstellen van carburateur
5. Adapterring (Gereedschappen in bepaalde landen hebben deze ring mogelijk niet nodig.)
6. Gebruiksaanwijzing (niet afgebeeld)

In het geval dat een van de vermelde onderdelen niet in de verpakking aanwezig is, neemt u contact op met uw verkoper.

## Symbolen

Op de doorslijpmachine en in de gebruiksaanwijzing vindt u de volgende symbolen:

	Lees de gebruiksaanwijzing en volg de waarschuwingen en veiligheidsvoorzorgsmaatregelen op!		Afmetingen van de doorslijpschijf
	Bijzondere zorg en voorzichtigheid!		Motor handmatig starten
	Verboden!		Zet de motor uit!
	Draag een veiligheidshelm, gezichts- en gehoorbescherming, en gebruik ademhalingbeschermingsapparatuur!		Waarschuwing! Terugslag!
	Draag veiligheidshandschoenen!		Brandstof (benzine)
	Verboden te roken!		EHBO
	Geen open vuur!		Recyclen
	Draairichting van de doorslijpschijf		CE-symbool
	<b>WAARSCHUWING:</b> de maximale omtreksnelheid van de doorslijpschijf is 80 m/s!		

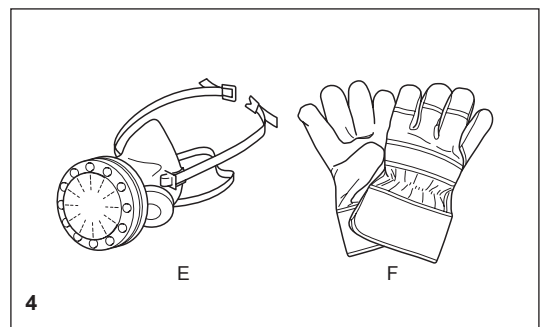
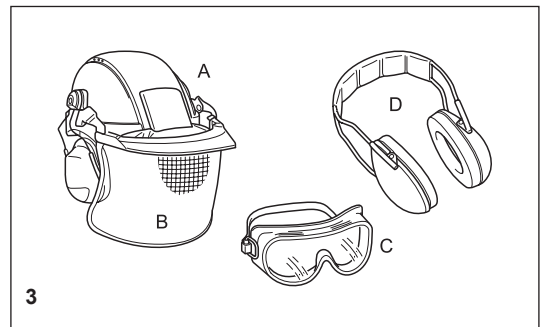
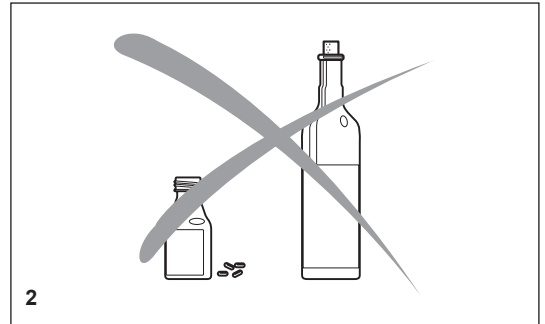
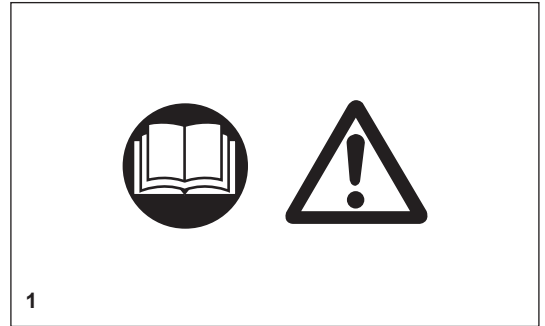
# VEILIGHEIDSVORZORGSMAATREGELEN

## Algemene voorzorgsmaatregelen

- De gebruiker **MOET** deze **gebruiksaanwijzing lezen om een veilige bediening te garanderen (zelfs als u reeds ervaring hebt in het gebruik van een doorslijpmachine)**. Het is belangrijk bekend te zijn met de bediening van deze specifieke doorslijpmachine. Gebruikers die onvoldoende geïnformeerd zijn, brengen zichzelf en anderen in gevaar als gevolg van onjuist omgaan met het gereedschap.
- Laat alleen personen die ervaring hebben in het werken met doorslijpmachines met dit gereedschap werken. Wanneer u iemand anders met de doorslijpmachine laat werken, moet u deze gebruiksaanwijzing erbij geven.
- Mensen die de doorslijpmachine voor het eerst gaan gebruiken, moeten een specialist vragen hen te instrueren in het werken met een benzinemotor-aangedreven doorslijpmachine.
- Kinderen en personen onder 18 jaar mogen deze doorslijpmachine niet bedienen. Jongeren die ouder zijn dan 16 jaar mogen echter de doorslijpmachine gebruiken om te oefenen, zolang ze onder toezicht staan van een gekwalificeerde begeleider.
- Werken met een doorslijpmachine vereist een hoge mate van concentratie.
- Gebruik de doorslijpmachine alleen als u in goede lichamelijke conditie bent. Als u vermoeid bent, kunt u zich minder goed concentreren. Wees met name voorzichtig aan het einde van de werkdag. Werk altijd rustig en voorzichtig. De gebruiker is aansprakelijk ten opzichte van anderen.
- Werk nooit terwijl u onder invloed bent van drugs, alcohol, medicijnen of andere stoffen die een negatieve invloed kunnen hebben op uw gezichtsvermogen, behendigheid of beoordelingsvermogen.
- Een brandblusser moet beschikbaar zijn in de onmiddellijke nabijheid.
- Asbest en andere materialen waaruit giftige stoffen kunnen vrijkomen mogen alleen worden doorgeslepen na het treffen van de benodigde veiligheidsvoorzorgsmaatregelen en na het melden bij de betreffende autoriteiten en onder hun supervisie of van iemand die door hen is aangewezen.

## Veiligheidsuitrusting

- **Om letsels aan hoofd, ogen, handen of voeten te voorkomen en om uw gehoor te beschermen, moet de volgende veiligheidsuitrusting worden gebruikt tijdens het werken met de doorslijpmachine:**
- Het type kleding moet geschikt zijn, d.w.z. deze moet nauwsluitend zijn zonder u te hinderen. Kleding waarin stukjes materiaal zich kunnen ophopen (in omgeslagen broekspijpen, openstaande broek- en borstzakken, enz.) mag niet worden gedragen, met name niet tijdens het doorslijpen van metaal.
- Draag geen sierraden of kleding die gegrepen kan worden of kan afleiden van de bediening van de doorslijpmachine.
- Het is noodzakelijk een veiligheidshelm te dragen wanneer u met de doorslijpmachine werkt. U moet de **veiligheidshelm (A)** regelmatig controleren op beschadigingen en deze na uiterlijk 5 jaar vervangen. Gebruik alleen goedgekeurde veiligheidshelmen.
- Het **spatscherm (B)** van de helm beschermt het gezicht tegen stof en stukjes materiaal. Om verwondingen aan ogen en gezicht te voorkomen, moet u altijd een **veiligheidsbril (C)** of spatscherm dragen tijdens het werken met de doorslijpmachine.
- Om gehoorschadiging te voorkomen, draagt u altijd geschikte, persoonlijke **gehoorbescherming (oorbeschermers (D), oordopjes, enz.)**. Octaafbandanalyse op verzoek beschikbaar.
- Bij het droog doorslijpen in stofproducerende materialen, zoals steen of beton, draagt u altijd goedgekeurde **ademhalingbeschermingsapparatuur (E)**.
- **Werkhandschoenen (F)** van sterk leer maken deel uit van de vereiste beschermingsmiddelen voor het werken met de doorslijpmachine en moeten altijd worden gedragen tijdens het werken met de doorslijpmachine.



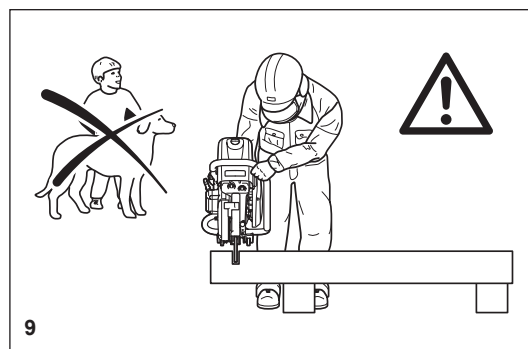
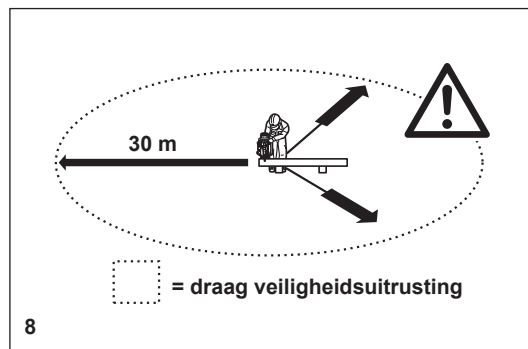
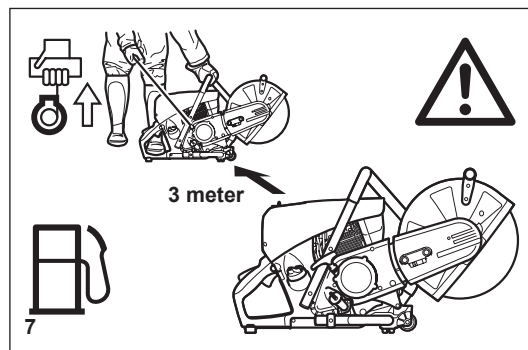
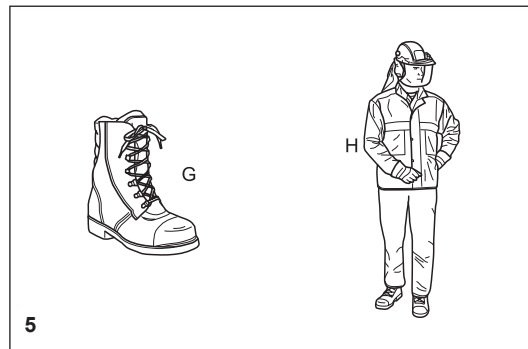
- Draag altijd **veiligheidsschoenen of -laarzen (G)** met stalen neuzen, antislipzolen en beenbeschermers tijdens het werken met de doorslijpmachine. Veiligheidsschoenen die zijn voorzien van een beschermende laag bieden bescherming tegen sneden en zorgen ervoor dat u stevig staat.
- Draag altijd een **werkpak (H)** van stevig materiaal.

## Brandstof en bijvullen

- Ga naar een veilige, horizontale plaats om brandstof bij te vullen. **Vul nooit brandstof bij op een steiger, op een berg materiaal of op soortgelijke plaatsen!**
- Schakel de motor uit voordat u brandstof bijvult in de doorslijpmachine.
- Niet roken of werken in de buurt van open vuur (6).
- Laat de motor afkoelen voordat u brandstof bijvult.
- Brandstoffen kunnen stoffen bevatten die soortgelijk zijn aan oplosmiddelen. Uw ogen en huid mogen niet in aanraking komen met minerale-olieproducten. Draag altijd veiligheidshandschoenen tijdens het bijvullen van de brandstof (dus niet de normale werkhandschoenen!). Verschoon en was beschermende kleding veelvuldig. Adem geen brandstofdampen in. Het inademen van brandstofdampen kan schadelijk zijn voor uw gezondheid.
- Mors geen brandstof. Als brandstof is gemorst, reinigt u de doorslijpmachine onmiddellijk. Brandstof mag niet op kleding komen. Als uw kleding in aanraking is gekomen met brandstof, trekt u direct schone kleding aan.
- Zorg ervoor dat brandstof niet in de grond komt (milieuvcontreiniging). Werk op een geschikte ondergrond.
- Brandstof bijvullen is niet toegestaan in gesloten vertrekken. Brandstofdampen verzamelen zich vlak boven de vloer (explosiegevaar).
- Verzeker u ervan dat de vuldop stevig op de brandstoftank is gedraaid.
- Voordat u de motor start, verplaatst u de doorslijpmachine naar een plaats ten minste 3 meter verwijderd van de plaats waar u de brandstof hebt bijgevoerd (7), maar niet binnen het werpgebied van de doorslijpschijf (in de richting van de vonken).
- Brandstof kan niet gedurende een onbepaalde tijd worden bewaard. Koop niet meer brandstof dan u in de nabije toekomst nodig zult hebben.
- Gebruik uitsluitend goedgekeurde en gemerkte flessen of jerrycans om brandstof in te bewaren en te vervoeren.
- **Houdt brandstof buiten bereik van kinderen!**

## In gebruik nemen

- **Werk niet alleen. Er moet iemand in de buurt zijn in geval van nood (binnen gehoorafstand).**
- Houd u aan alle regels met betrekking tot geluidsoverlast wanneer u in een woonwijk werkt.
- **Gebruik de doorslijpmachine nooit in de buurt van brandbare materialen of explosieve gassen! De doorslijpmachine kan vonken produceren die brand of een explosie kunnen veroorzaken!**
- Zorg ervoor dat iedereen binnen een straal van 30 meter, zoals andere werknemers, een veiligheidsuitrusting dragen (zie "Veiligheidsuitrusting") (8). Kinderen en andere onbevoegde personen moeten meer dan 30 meter uit de buurt van de werkplek blijven. Let ook op eventuele dieren in het werkgebied (9).
- **Alvorens met de werkzaamheden te beginnen moet de doorslijpmachine worden gecontroleerd op een perfecte werking en bedrijfsveiligheid overeenkomstig de voorschriften.**  
Controleer met name of de doorslijpmachine in goede staat verkeert (vervang gescheurde, beschadigde of gebogen onderdelen onmiddellijk), de doorslijpmachine goed bevestigd is, de beschermkap vergrendeld is, de handbescherming goed bevestigd is, de aandrijfriem goed gespannen is, de gashendel gemakkelijk te bedienen is, de handgrepen door en schoon zijn, en de combinatieschakelaar goed functioneert.
- Start de doorslijpmachine alleen nadat deze volledig in elkaar gezet en gecontroleerd is. Gebruik de doorslijpmachine nooit als deze niet volledig in elkaar gezet is.





## Doorslijpschijven

- De beschermkap moet altijd gesloten zijn! Verwissel de schijf alleen wanneer de motor uitgeschakeld is!
- Er zijn in principe twee typen doorslijpschijven:
  - Voor metaal (heet doorslijpen)
  - Voor steen (koud doorslijpen)

### OPMERKING:

Bij gebruik van diamantdoorslijpschijven, moet u goed op de markeringen voor de draairichting letten. Diamantschijven mogen alleen worden gebruikt voor het doorslijpen van metselwerk, steen, beton, enz.

- Doorslijpschijven zijn alleen bedoeld voor radiale belasting, d.w.z. voor doorslijpen.

Gebruik nooit de zijkant van de doorslijpschijf! Hierdoor zal de schijf breken (10)!

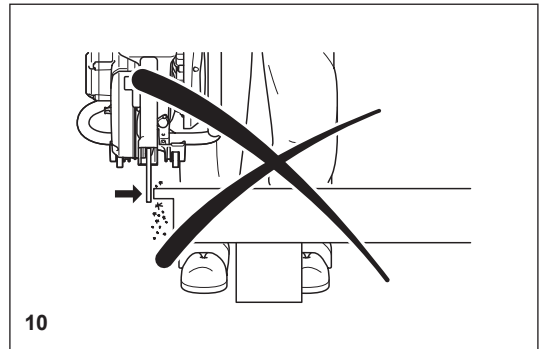
### ⚠ LET OP:

**Buig nooit de slijprichting om (met een draaicirkelstraal van minder dan 5 meter), oefen nooit laterale (zijdelingse) kracht uit, en kantel nooit de doorslijpmachine tijdens het doorslijpen (11)!**

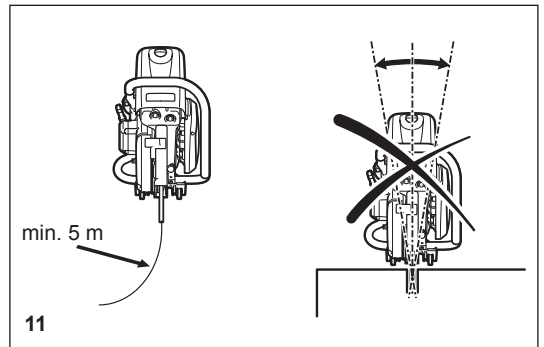
- Gebruik de doorslijpschijf alleen voor het doorslijpen in materialen waar deze voor bedoeld is. Het juiste type schijf, voor metaal of voor steen, moet worden gebruikt.
- Het asgat (middengat) van de doorslijpschijf moet exact om de as passen. Als het asgat groter is dan de asdiameter, moet een opvolring (accessoire) worden gebruikt.
- Gebruik alleen doorslijpschijven die zijn goedgekeurd door de DSA (Duitse schuurschijf associatie) of gelijkwaardige organisatie voor doorslijpen uit de vrije hand tot 4.370 tpm (omtreksnelheid = 80 m/sec) voor schijven van 14"/355 mm, of tot 5.100 tpm (omtreksnelheid = 80 m/sec) voor schijven van 12"/300 mm.
- De schijf mag geen gebreken vertonen (12). Gebruik geen beschadigde doorslijpschijven.

**Haal de bevestigingsbout van de doorslijpschijf altijd aan met een draaikoppel van 30 Nm. Anders kan de doorslijpschijf verdraaien.**

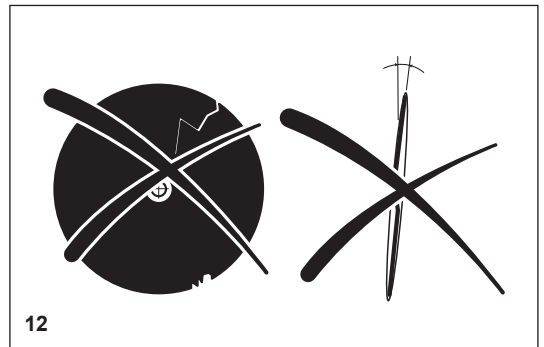
- Voordat u de doorslijpmachine start, zorgt u ervoor dat u stevig staat.
- Neem de doorslijpmachine alleen in gebruik zoals beschreven in deze gebruiksaanwijzing (13). Zet altijd uw linkervoet in de achterhandgreep en pak de andere handgreep stevig vast (met duim en vingers). Andere manieren van starten zijn niet toegestaan.
- Bij het starten van de doorslijpmachine moet deze goed ondersteund en stevig vastgehouden worden. De doorslijpschijf mag niets raken.
- Als de doorslijpschijf nieuw is, test u deze door deze ten minste 60 seconden op het maximumtoerental te laten draaien. Wanneer u dit doet, zorgt u ervoor dat zich geen personen of lichaamsdelen bevinden in het werpgebied van de doorslijpschijf, voor het geval deze defect is, in stukken breekt en in het rond vliegt.
- **Houd de doorslijpmachine tijdens het werken altijd met twee handen vast.** Houd de achterhandgreep vast met uw rechterhand en de beugelhandgreep met uw linkerhand. Houd de handgrepen stevig vast met uw duim in tegenovergestelde richting van uw vingers.
- **LET OP: Nadat u de gashendel hebt losgelaten, blijft de schijf nog een korte tijd doordraaien** (uitlopen).
- Zorg er voortdurend voor dat u stevig staat.
- Houd de doorslijpmachine zodanig vast dat u niet de uitlaatgassen inademt. Werk niet in afgesloten vertrekken of in diepe gaten of greppels (gevaar voor vergiftiging door dampen).
- **Schakel de doorslijpmachine onmiddellijk uit wanneer u enige verandering in het gedrag van de doorslijpmachine opmerkt.**
- **Schakel de motor uit voordat u de spanning van de aandrijfriem controleert of afstelt, de bevestigingspositie van de slijpkop verandert** (zijkant of midden), **of storingen opheft** (14).
- Schakel de motor onmiddellijk uit en controleer de schijf als u enige verandering in het gedrag van de doorslijpmachine hoort of voelt.
- Schakel de doorslijpmachine uit wanneer u een pauze neemt of met werken stopt (14). Plaats de doorslijpmachine op zo'n manier dat de schijf niets raakt en voor niemand gevaar oplevert.
- Plaats de hete doorslijpmachine niet in droog gras of op brandbare voorwerpen. De uitlaatdemper is zeer heet (gevaar van brand).
- **BELANGRIJK:** Na nat doorslijpen, stopt u eerst de aanvoer van het water en laat u vervolgens de schijf 30 seconden draaien zodat het resterende water van de schijf af geworpen wordt en corrosie wordt voorkomen.



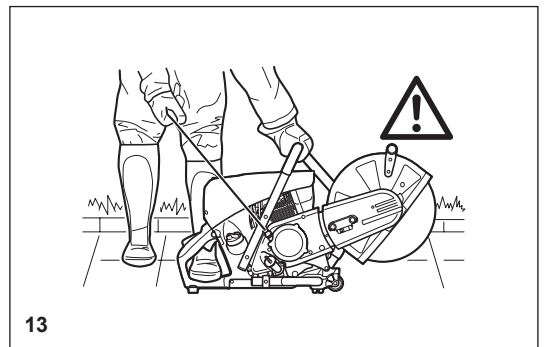
10



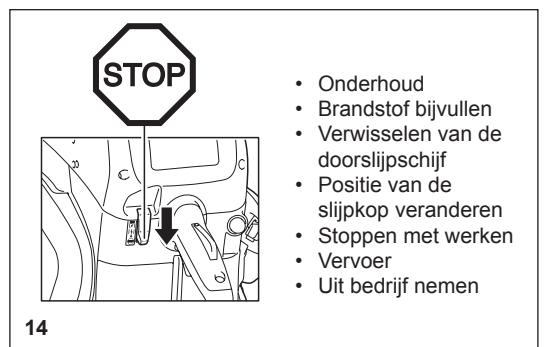
11



12



13



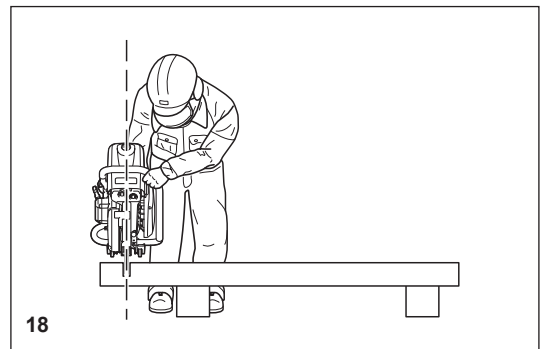
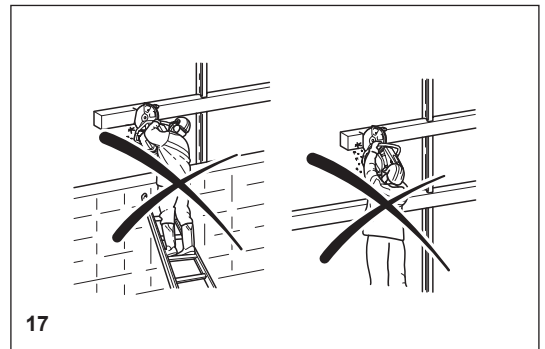
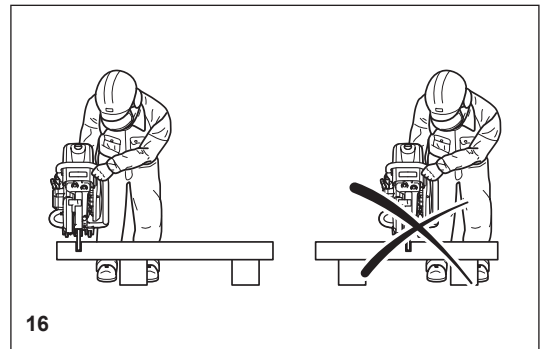
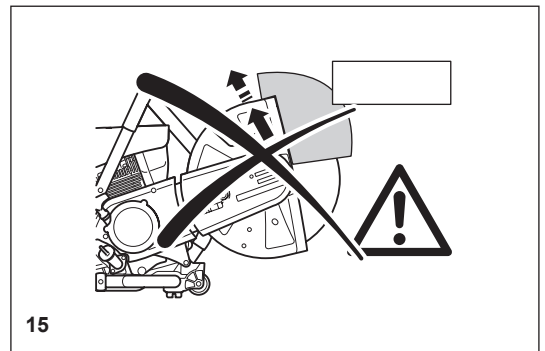
14

## Terugslag en vastlopen

- Tijdens het werken met de doorslijpmachine bestaat het gevaar van terugslag en vastlopen.
- Terugslag treedt op wanneer het bovenste deel van de doorslijpschijf wordt gebruikt voor het doorslijpen (15).
- Hierdoor wordt de doorslijpmachine met grote kracht en ongecontroleerd in de richting van de gebruiker teruggeworpen. **Gevaar van letsel!**  
**Om terugslag te voorkomen, houdt u rekening met het volgende:**
- Slijp nooit met het segment van de doorslijpschijf aangegeven in afbeelding 15. **Wees bijzonder voorzichtig wanneer u de schijf opnieuw inbrengt in een reeds bestaande snede!**
- Vastlopen treedt op wanneer de snede vernauwt (scheur, of werkstuk onder spanning).
- Hierdoor springt de doorslijpmachine plotseling, ongecontroleerd en met grote kracht naar voren. **Gevaar van letsel!**  
**Om vastlopen te voorkomen, houdt u rekening met het volgende:**
- Wanneer u de schijf opnieuw in een bestaande snede inbrengt, laat u de doorslijpmachine op maximumtoerental draaien. Slijp altijd op maximumtoerental.
- Ondersteun het werkstuk altijd zo dat de snede onder zodanige spanning staat (16) dat deze niet wordt dichtgedrukt en de doorslijpschijf kan vastlopen naarmate hij door het materiaal slijpt.
- Breng bij het aanvangen van een snede de schijf voorzichtig in aanraking met het werkstuk.
- Duw de schijf niet botweg in het materiaal.
- Slijp nooit meer dan één stuk materiaal tegelijk. Let er bij het doorslijpen op dat de schijf geen ander werkstuk raakt.

## Gedrag tijdens het werk / Werkwijze

- Voordat u begint te werken, controleert u het werkgebied op eventuele gevaren (zoals elektrische draden, brandbare materialen, enz.). Markeer het werkgebied duidelijk (bijvoorbeeld met waarschuwingsborden of door het gebied af te zetten).
- Wanneer u met de doorslijpmachine werkt, houdt u hem stevig vast aan de voor- en achterhandgrepen. Laat de doorslijpmachine nooit onbeheerd achter!
- Gebruik indien mogelijk de doorslijpmachine op zijn nominale astoerental (zie "Technische gegevens").
- Gebruik de doorslijpmachine alleen wanneer u goed licht en zicht hebt. Wees bedacht op gladde of natte plaatsen en op ijs en sneeuw (kans op uitglijden).
- Werk nooit op onstabiele oppervlakken. Zorg ervoor dat zich in het werkgebied geen obstakels bevinden (kans op struikelen). Zorg er altijd voor dat u stevig staat.
- Slijp nooit boven schouderhoogte (17).
- Sta nooit op een ladder bij het doorslijpen (17).
- Gebruik de doorslijpmachine nooit terwijl u op een steiger staat.
- Leun niet te ver naar voren tijdens het werk. Bij het neerzetten en oppakken van de doorslijpmachine, buigt u niet uw bovenlichaam voorover, maar buigt u uw knieën. Denk om uw rug!
- Geleid de doorslijpmachine op zo'n manier dat geen enkel deel van uw lichaam zich binnen het werpgebied van de schijf bevindt (18).
- Gebruik doorslijpschijven alleen in de materialen waarvoor ze zijn ontworpen.
- Gebruik de doorslijpmachine niet om stukjes materiaal en andere voorwerpen op te pakken en weg te schuiven.  
**Belangrijk!** Alvorens door te slijpen, verwijdert u alle vreemde voorwerpen, zoals stenen, kiezels, spijkers, enz., uit het slijpgebied. Anders kunnen dergelijke voorwerpen met hoge snelheid worden weggegooid door de schijf. **Gevaar van letsel!**
- Wanneer u een werkstuk op lengte doorslijpt, gebruikt u een stevige ondersteuning. Indien nodig, zet u het werkstuk vast zodat het niet kan wegglijden, maar houdt het niet op zijn plaats met uw voet en laat een ander het niet vasthouden.
- Wanneer u een rond werkstuk doorslijpt, zet u dit vast zodat het niet kan ronddraaien.
- Wanneer u de doorslijpmachine vanuit de hand gebruikt, bevestigt u de slijpkop alleen aan de zijkant op de doorslijpmachine wanneer dit echt nodig is. In alle andere gevallen gebruikt u de centrale positie. Hiermee heeft de doorslijpmachine een betere balans en wordt de gebruiker minder snel moe.



## Doorslijpen van metaal

### ⚠ BELANGRIJK!

Draag altijd goedgekeurde ademhalingbeschermingsapparatuur! Materialen waaruit giftige stoffen kunnen vrijkomen mogen alleen worden doorgeslepen na het melden bij de betreffende autoriteiten en onder hun supervisie of van iemand die door hen is aangewezen.

### ⚠ LET OP:

Door het snel ronddraaien van de doorslijpschijf wordt het metaal warm zodat het smelt op het raakpunt. Breng de beschermkap achter de snede zover mogelijk naar beneden (19) zodat de vonkenregen naar voren wordt geworpen, weg van de gebruiker (brandgevaar).

- Bepaal de richting waarin u wilt doorslijpen, markeer de snede en breng de schijf met een gemiddeld toerental in aanraking met het materiaal om een geleidegroef te maken, voordat u overgaat op het maximumtoerental en meer druk uitoefent op de doorslijpmachine.
- Houd de schijf recht en verticaal. Kantel de schijf niet aangezien deze hierdoor kan breken.
- De beste manier om een goede, schone snede te maken, is om de doorslijpmachine beurtelings naar voren te duwen en naar achteren te trekken. Druk de schijf niet gewoon in het materiaal.
- Dik, rond materiaal kan het best in fasen worden doorgeslepen (20).
- Dunne slangen en buizen kunnen worden doorgeslepen met een simpele, neerwaartse snede.
- Slijp buizen met een grote diameter op dezelfde manier door als ronde materialen. Om omvallen te voorkomen en om een betere controle te verkrijgen, mag de schijf niet te diep in het materiaal zakken. Slijp in plaats daarvan ondiep rond het hele werkstuk.
- Gesleten schijven hebben een iets kleinere diameter dan nieuwe schijven, waardoor ze bij hetzelfde motortoerental een lagere, effectieve omtreksnelheid hebben en daardoor niet zo goed doorslijpen.
- Slijp I-balken en hoeklijnen stapsgewijs door (zie afb. 21).
- Slijp banden en platen op dezelfde manier door als buizen: langs de brede kant met een lange snede.
- Wanneer u materiaal onder spanning doorslijpt (ondersteund materiaal of materiaal in een gebouw), brengt u altijd eerst een inkeping aan in de drukzijde en slijpt u vervolgens door vanaf de trekzijde zodat de schijf niet vastloopt.

**Vorkom dat het eraf geslepen materiaal valt!**

### ⚠ LET OP:

Als de kans bestaat dat het materiaal onder spanning staat, moet u voorbereid zijn op terugslag. Zorg ervoor dat u aan de kant kunt springen als dat nodig is!

Wees bijzonder voorzichtig in metaalschrootbedrijven, op autosloperijen, op ongevallocaties en bij bergen los gestort materiaal. Gevaarlijk balancerende materiaal delen of delen onder spanning kunnen op onvoorspelbare wijze bewegen en kunnen verschuiven, opspringen of barsten. Beveilig doorslijpmateriaal tegen vallen! Wees altijd uiterst voorzichtig en gebruik uitsluitend apparatuur die in perfecte staat verkeert.

Houd u aan de voorschriften voor ongevallenpreventie en de regels van uw werkgever en/of verzekeringsmaatschappij.

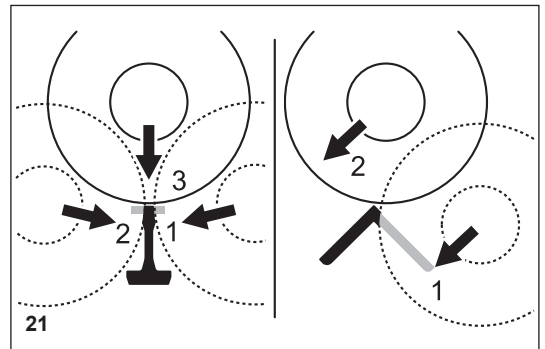
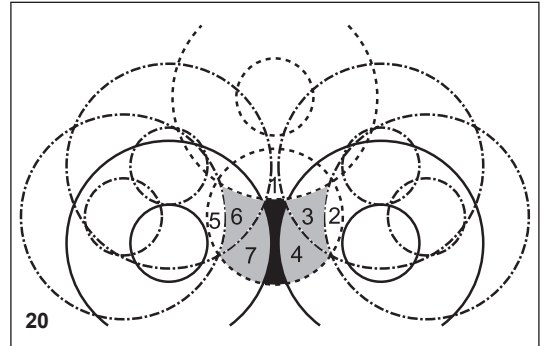
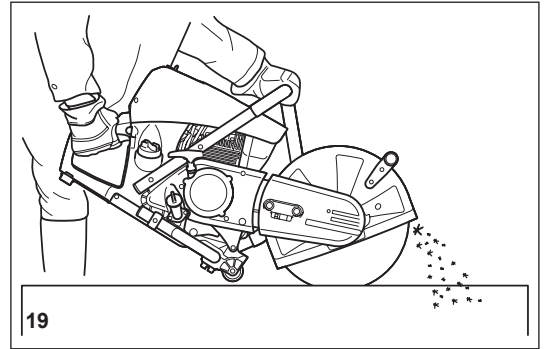
## Doorslijpen van steen en beton

### BELANGRIJK!

Draag altijd goedgekeurde ademhalingbeschermingsapparatuur! Asbest en andere materialen waaruit giftige stoffen kunnen vrijkomen mogen alleen worden doorgeslepen na het melden bij de betreffende autoriteiten en onder hun supervisie of van iemand die door hen is aangewezen. Volg voor het doorslijpen van voorgespannen en gewapend beton de richtlijnen en regels van de verantwoordelijke autoriteiten of de bouwer van het constructie-element. De bewapening moet worden doorgeslepen in de voorgeschreven volgorde overeenkomstig de toepasselijke veiligheidsinstructies.

### OPMERKING:

Cement, steen en beton genereren tijdens het doorslijpen grote hoeveelheden stof. Om de levensduur van de doorslijpschijf te vergroten (door te koelen), om het zicht te verbeteren en om het genereren van buitensporig veel stof te voorkomen, adviseren wij u met klem nat door te slijpen in plaats van droog.



Bij nat doorslijpen wordt de schijf gelijkmatig aan beide zijden nat gehouden door een stroompje water. MAKITA levert de juiste accessoires voor alle toepassingen van nat doorslijpen (zie ook "SPECIALE ACCESSOIRES").

- Verwijder vreemde voorwerpen, zoals zand, stenen en spijkers, die zich binnen het werkgebied bevinden. **LET OP: Kijk uit naar elektriciteitsdraden en -kabels!**

**Door het snel ronddraaien van de doorslijpschijf op het raakpunt worden stukjes materiaal op hoge snelheid uit de snede geworpen. Voor uw veiligheid, brengt u de beschermkap zo ver mogelijk naar beneden achter de snede (23) zodat de stukjes materiaal naar voren wordt geworpen, weg van de gebruiker.**

- Markeer de snede en maak vervolgens een groef ongeveer 5 mm langs de hele lengte van de geplande snede. Deze groef doet dienst als richtlijn voor de doorslijpmachine om nauwkeurig te richten tijdens het werkelijke doorslijpen.

#### OPMERKING:

Voor lange, rechte sneden adviseren wij u een slijpwagen te gebruiken (24, zie ook "SPECIALE ACCESSOIRES"). Hierdoor wordt het veel gemakkelijker om de doorslijpmachine recht te geleiden.

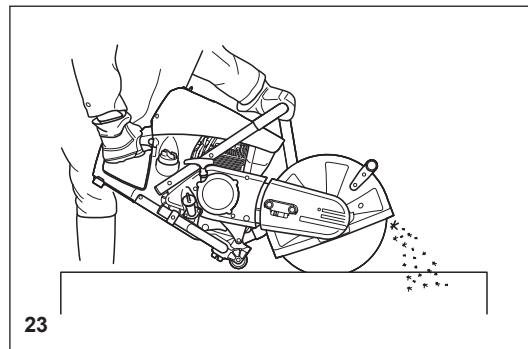
- Voer de snede uit met een regelmatige heen-en-weer gaande beweging.
- Bij het op maat doorslijpen van platen, hoeft u niet door de volledige dikte van het materiaal te slijpen (waarbij onnodig veel stof wordt gegenereerd). In plaats daarvan maakt u simpelweg een ondiepe groef en slaat u vervolgens het restmateriaal op het platte oppervlak schoon af (25).

#### VOORZICHTIG!

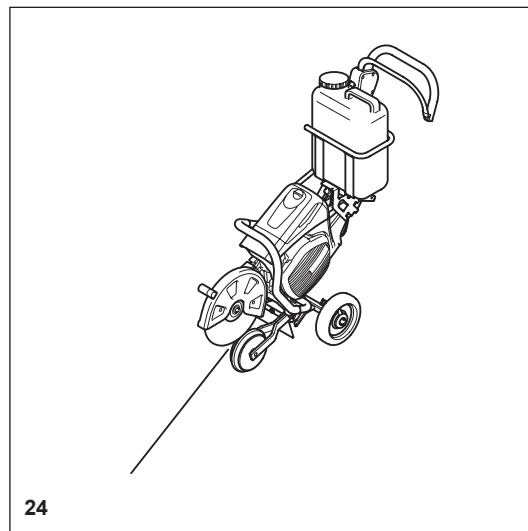
Bij het op lengte afslijpen, door materiaal heen slijpen, openingen slijpen in materiaal, enz., maakt u van tevoren een plan van de richting en volgorde van de sneden op een zodanige manier dat de schijf niet vastloopt tegen het af te slijpen deel, en dat geen personen gewond kunnen raken door vallende stukken materiaal.

#### Vervoer en opslag

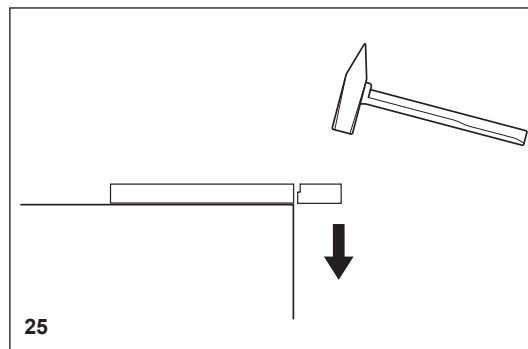
- **Schakel de doorslijpmachine altijd uit wanneer u hem vervoert of verplaatst tussen twee locaties op een werfterrein (26).**
- **Draag of verplaats de doorslijpmachine nooit terwijl de motor loopt of de doorslijpschijf draait!**
- Draag het gereedschap alleen aan de (middelste) beugelhandgreep met de doorslijpschijf naar achteren gericht (26). Vermijd aanraking van de uitlaatdemper (verbrandingsgevaar!).
- Wanneer de doorslijpmachine over een grote afstand wordt verplaatst, gebruikt u een kruiwagen of plateauwagen.
- Wanneer de doorslijpmachine in een voertuig wordt vervoerd, zorgt u ervoor dat hij stevig is vastgezet op een zodanige manier dat er geen brandstof uit kan lekken.  
Verwijder altijd de doorslijpschijf voordat u de doorslijpmachine in een voertuig vervoert.
- De doorslijpmachine moet veilig worden opgeslagen op een droge plaats. Hij mag niet buiten worden achtergelaten! Haal de doorslijpschijf er altijd af voordat u de doorslijpmachine opslaat. Houd de doorslijpmachine uit de buurt van kinderen.
- **Voordat de doorslijpmachine langdurig wordt opgeslagen en voordat de doorslijpmachine wordt verstuurd, volgt u de instructies in het hoofdstuk "Opslag". Maak de brandstoftank ALTIJD leeg en laat de carburator droog draaien.**
- Wanneer doorslijpschijven worden opgeslagen, gaat u als volgt te werk:
- Goed schoon en droog maken.
- Plat neerleggen.
- Vochtigheid, vorst, direct zonlicht, hoge temperaturen en temperatuurschommelingen vermijden, aangezien hierdoor breuk en splinteren kan ontstaan.
- **Controleer nieuwe doorslijpschijven en doorslijpschijven die uit opslag zijn gehaald altijd om u ervan te overtuigen dat ze geen gebreken vertonen.**



23



24



25



26

## Onderhoud

- **Alvorens onderhoudswerkzaamheden uit te voeren, schakelt u de doorslijpmachine uit (27) en trekt u de bougiekap eraf.**
- Controleer de doorslijpmachine altijd voordat u hem gebruikt om er zeker van te zijn dat hij in goede staat verkeert. Controleer met name of de doorslijpschijf goed is bevestigd. Controleer of de doorslijpschijf onbeschadigd is en geschikt is voor de taak waarvoor hij gaat worden gebruikt.
- Bedien de doorslijpmachine alleen op lage geluids- en emissieniveaus. Hiertoe moet de carburator goed zijn afgesteld.
- Reinig de doorslijpmachine regelmatig.
- Controleer regelmatig of de brandstoftankvuldop goed afsluit.

**Volg de instructies voor het voorkomen van ongevallen die door de relevante beroepsverenigingen en verzekeringsmaatschappijen zijn uitgegeven. Breng NOOIT wijzigingen aan op de doorslijpmachine! Hiermee brengt u alleen maar uw eigen veiligheid in gevaar!**

Voer uitsluitend de onderhouds- en reparatiewerkzaamheden uit die worden beschreven in de gebruiksaanwijzing. Alle andere werkzaamheden moeten worden uitgevoerd door MAKITA Service (28).

Gebruik uitsluitend originele vervangingsonderdelen en accessoires van MAKITA. Bij gebruik van vervangingsonderdelen, accessoires of doorslijpschijven van andere fabrikanten dan MAKITA, wordt de kans op een ongeval vergroot. Wij accepteren geen enkele verantwoordelijkheid voor ongevallen of schade die zich voordoen als gevolg van het gebruik van andere vervangingsonderdelen, accessoires of doorslijpschijven dan originele MAKITA-producten.

## EHBO (29)

Zorg ervoor dat een EHBO-dooos altijd dichtbij en onmiddellijk beschikbaar is. Vervang onmiddellijk elk item dat uit de EHBO-dooos wordt gebruikt.

**Geef de volgende informatie wanneer u hulp inroept:**

- Plaats van het ongeval
- Beschrijving van het ongeval
- Aantal gewonde mensen
- Soort letsels
- Uw naam!

### OPMERKING:

Personen met een slechte bloedsomloop die worden blootgesteld aan sterke trillingen, kunnen verwondingen aan bloedvaten of het zenuwstelsel oplopen. Trillingen kunnen de volgende symptomen veroorzaken in de vingers, handen of polsen: "slapen" (ongevoeligheid), tintelingen, pijn, stekend gevoel, veranderen van huidskleur of van de huid.

**Als een van deze symptomen zich voordoet, raadpleegt u uw huisarts!**

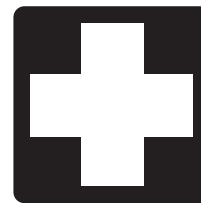


27



SERVICE

28



29

## Technische gegevens

Item		Model	EK7650H		EK7651H	
Motor	Cilinderinhoud	cm <sup>3</sup>	75,6			
	Boring	mm	51			
	Slag	mm	37			
	Max. vermogen	kW	3,0			
	Max. koppel	Nm	4,6			
	Stationair toerental	min <sup>-1</sup>	2.600			
	Koppeling		Automatisch centrifugaal systeem			
	Begrenzing van motortoerental	min <sup>-1</sup>	9.100			
	Max. astoerental	min <sup>-1</sup>	4.300			
	Carburator		Membraantype			
	Ontstekingsstelsel (met snelheidsbegrenzing)		Contactloos, magneettype			
	Bougie	Type	NGK CMR6H			
	Elektrodenafstand	mm	0,5			
	Startsysteem		Trekstartsysteem			
	Brandstofverbruik bij max. belasting volgens ISO 8893	kg/u	1,2			
	Specifiek brandstofverbruik bij max. belasting volgens ISO 8893	g/kWh	400			
	Brandstof		Benzine voor auto's			
	Inhoud brandstoftank	l	1,1			
	Smeermiddel (motorolie)		Olie van API-classificatie, SF-klasse of beter, SAE 10W-30 (4-taktmotorolie voor auto's)			
	Hoeveelheid smeermiddel	l	0,22			
Doorslijpschijf voor 80 m/sec of sneller <sup>1)</sup> (DSA-goedgekeurd): afmetingen	mm	300 / 20 / 5 <sup>2)</sup>	300 / 25,4 / 5 <sup>2)</sup>	350 / 20 / 5 <sup>2)</sup>	350 / 25,4 / 5 <sup>2)</sup>	
Geluidsdrukkniveau (L <sub>pA</sub> ) volgens EN ISO 19432 <sup>3)</sup>	dB (A)	92,7				
Onzekerheid (K)	dB (A)	2,5				
Geluidsvermogeniveau (L <sub>WA</sub> ) volgens EN ISO 19432	dB (A)	104,6				
Onzekerheid (K)	dB (A)	2,5				
Trillingsversnelling a <sub>n, w</sub> volgens EN ISO 19432						
- Voorhandgreep (stationair/nominaal astoerental)	m/s <sup>2</sup>	2,7				
Onzekerheid (K)	m/s <sup>2</sup>	2,0				
- Achterhandgreep (stationair/nominaal astoerental)	m/s <sup>2</sup>	1,8				
Onzekerheid (K)	m/s <sup>2</sup>	2,0				
Asgatdiameter	mm	20,0	25,4	20,0	25,4	
Asdiameter	mm	17		17 of 25,4 <sup>4)</sup>		
Minimale buitendiameter van flens	mm	102				
Max. slijpdiepte	mm	97		122		
Afmetingen doorslijpmachine (totale lengte x totale breedte x totale hoogte)		761 mm x 310 mm x 435 mm		780 mm x 310 mm x 455 mm		
Aandrijfriem	nr.	225094-6				
Totaalgewicht (tanks leeg, zonder doorslijpschijf)	kg	12,7		12,9		

1) Omtreksnelheid bij maximummotortoerental

2) Buitendiameter/asgat/dikte

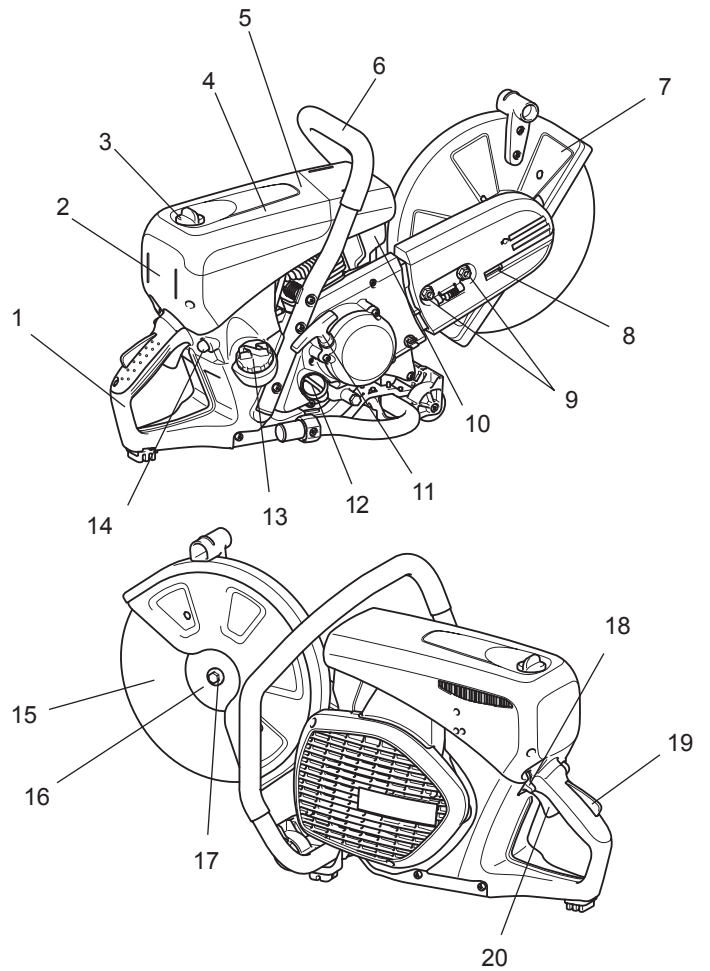
3) Op de werkplek (gemeten aan het oor van de gebruiker)

4) Afhankelijk van het land



## Naam en plaats van de onderdelen

1. Achterhandgreep
2. Filterkap
3. Vergrendelschroef van de bovenkap
4. Bovenkap van luchtfilter en bougiekap
5. Bovenkap
6. Voorhandgreep
7. Beschermkap
8. Spanschroef
9. Zeskantmoeren
10. Demper
11. Trekstarthandgreep
12. Olievuldop
13. Brandstoftankvuldop
14. Brandstofhandpomp (choke)
15. Doorslijpschijf
16. Buitenflens
17. Zeskantbout
18. Schakelaar
19. Veiligheidsvergrendelknop
20. Gashendel







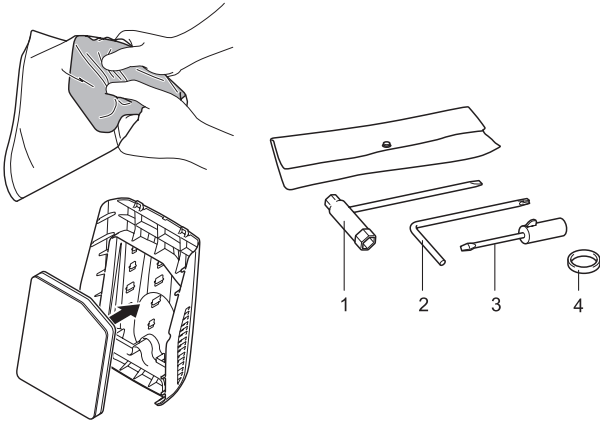
## IN GEBRUIK NEMEN

### ⚠ LET OP:

Schakel altijd de motor uit en trek de bougiekap eraf voordat u enige werkzaamheden aan de doorslijpmachine uitvoert! Draag altijd veiligheidshandschoenen!

### ⚠ LET OP:

Start de doorslijpmachine alleen nadat deze volledig in elkaar gezet en gecontroleerd is.



Voor de volgende werkzaamheden gebruikt u de gereedschappen die erbij werden geleverd:

1. Combinatiesleutel 13/16 AF
2. Ster sleutel
3. Schroevendraaier voor afstellen van carburateur
4. Adapterring

Plaats de doorslijpmachine op een stabiele ondergrond en voer de volgende stappen uit om hem in elkaar te zetten:

### ⚠ Er is geen luchtfilter gemonteerd!

Knijp voor gebruik meerdere keren in het bijgeleverde filter zodat de olie gelijkmatig verdeeld wordt over het hele filter. Plaats een geolied schuimrubberen filter (voorfilter) zoals aangegeven in de afbeelding hiernaast. Verwijder hiertoe eerst de filterkap (zie de tekst onder Het luchtfilter reinigen/ vervangen).

## De doorslijpschijf aanbrengen

### ⚠ WAARSCHUWING:

- Wanneer een diamantdoorslijpschijf wordt aangebracht, let u erop deze zo aan te brengen dat de pijl in dezelfde richting wijst als waarin de buitenflens (6) draait. Als de diamantdoorslijpschijf (4) wordt aangebracht terwijl zijn pijl in de tegenovergestelde richting wijst als die op de beschermkap, kunnen stukjes van de rand van de schijf afbreken en persoonlijk letsel veroorzaken.
- Gebruik bij het aanbrengen van een doorslijpschijf (4) altijd de ring die overeenkomt met het middengat van de doorslijpschijf en de diameter van de as (5). Als u geen passende ring gebruikt, kan het gereedschap gaan trillen waardoor ernstig persoonlijk letsel kan ontstaan.
- Gebruik uitsluitend doorslijpschijven met een middengat dat overeenkomt met de diameter van de bijgeleverde ring(en). Als u een niet-passende schijf gebruikt, kan het gereedschap gaan trillen waardoor ernstig persoonlijk letsel kan ontstaan.
- Controleer een doorslijpschijf op beschadigingen (zie het tekstdeel onder het kopje "Doorslijpschijven" in het hoofdstuk "VEILIGHEIDSVORZORGSMAATREGELEN").

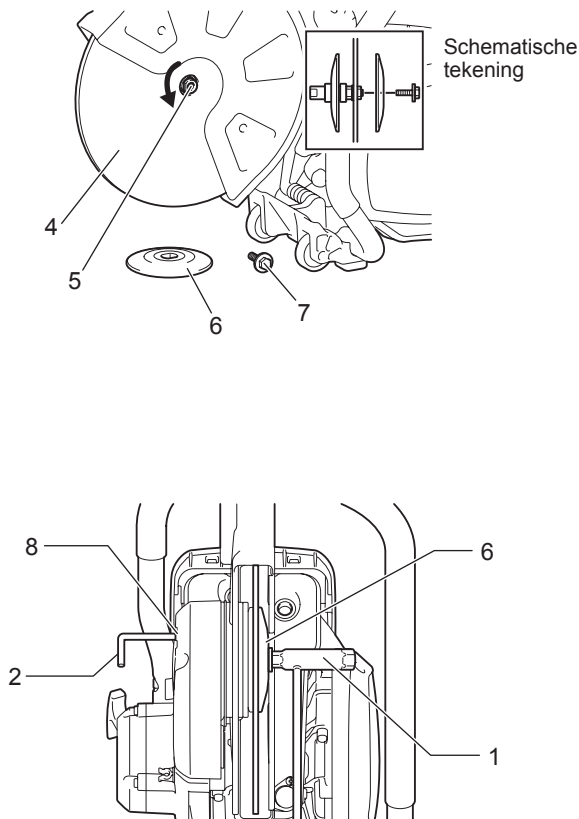
1. Steek de stersleutel (2) in het gat (8) om te voorkomen dat de as (5) meedraait.

**OPMERKING:** Als de houder van het waterspuitstelsel is bevestigd in het gat in het gereedschap, verwijdert u deze voordat u de doorslijpschijf aanbrengt.

2. Terwijl u de sleutel (2) in die positie houdt, draait u met de bijgeleverde combinatiesleutel (1) de bout (7) waarmee de schijf is vastgezet linksom en verwijdert u de bout (7) en de buitenflens (6).
3. Breng een diamantschijf/doorslijpschijf (4) aan op de as (5). Plaats daarna de buitenflens (6) op de as, zodanig dat de twee parallelle platte vlakken van de buitenflens passen tegen de platte vlakken van de as, en draai de bout stevig rechtsom vast.

Om een doorslijpschijf aan te brengen, plaatst u een ring met dezelfde diameter als het middengat van de schijf en de bijgeleverde O-ring zodat de ring op de as blijft zitten, voordat u de doorslijpschijf aanbrengt. Breng daarna de doorslijpschijf aan.

**OPMERKING:** Haal de zeskantbout stevig aan (25 tot 31 Nm) omdat anders de doorslijpschijf kan slippen tijdens het doorslijpen.



## Aandrijfriem spannen / Aandrijfriemspanning controleren

### BELANGRIJK:

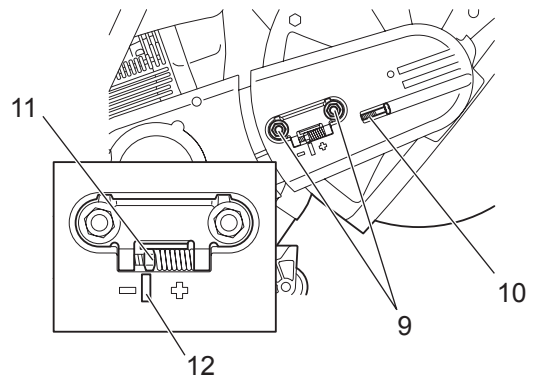
Een juiste afstelling van de aandrijfriemspanning is belangrijk voor maximale doorslijpprestaties bij een minimaal brandstofverbruik. Een onjuist afgestelde aandrijfriemspanning zal leiden tot voortijdige slijtage van de aandrijfriem en poelie, of beschadiging van het koppelingslager.



**OPMERKING:** De twee zeskantmoeren (9) moeten worden losgedraaid voordat de aandrijfriem wordt gespannen of de aandrijfriemspanning wordt gecontroleerd.

Om de aandrijfriemspanning te verhogen, draait u met behulp van de bij de doorslijpmachine geleverde combinatiesleutel de spanschroef (10) rechtsonder (met de klok mee).

De aandrijfriemspanning is correct afgesteld wanneer de moer (11) zich bevindt op de plaats aangegeven in de afbeelding in relatie tot de markering (12).



### BELANGRIJK:

- Vergeet niet na het spannen/controleren de zeskantmoer (9) aan te halen (25 tot 31 Nm).
- Stel de aandrijfriemspanning niet af terwijl de machine warm is. Er is kans dat u brandwonden oploopt.

## Vóór gebruik

### 1. Motorolie controleren/bijvullen

- Bij een koude motor, moet u de motorolie als volgt controleren/bijvullen.
  - Plaats de motor op een horizontale ondergrond en controleer of het oliepeil tussen de markeringen MAX en MIN van de olietank staat.
  - Als het oliepeil te laag staat (vlakbij de markering MIN van de olietank), vult u de olie bij in de olietank tot de markering MAX.
  - Het oliepeil kan van buitenaf worden gecontroleerd zonder de olievuldop los te draaien aangezien het oliepeil kan worden afgelezen door het doorzichtige venster met markeringen.
  - Als richtlijn geldt dat de olie iedere tien bedrijfsuren moet worden bijgevuld (één tank vol olie op tien tanken brandstof).
  - Ververs sterk vervuild of verkleurde olie.
- <Aanbevolen olie> .... Gebruik olie van API-classificatie, SF-klasse of beter, SAE 10W-30 (4-taktmotorolie voor auto's).
- <Hoeveelheid olie> ... 0,22 l (220 ml)

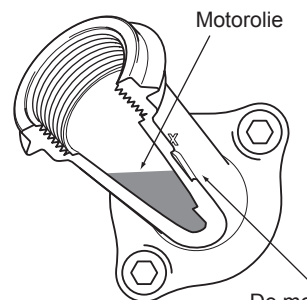
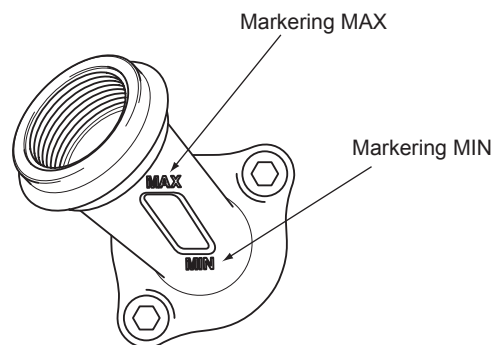
### OPMERKING:

- Als de motor niet rechtop is bewaard, heeft de olie zich door de motor verspreid en zal na het bijvullen van de olie er te veel olie in de doorslijpmachine zitten.
- Als het oliepeil hoger staat dan de markering MAX, kan er olie uit lekken en vervuiling of witte rook veroorzaken.

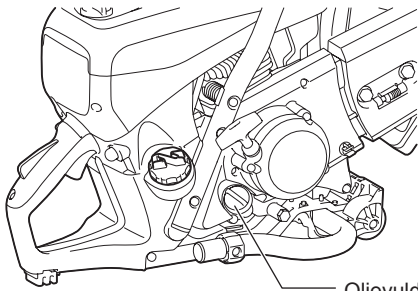
### Aandachtspunt 1 bij olie bijvullen: olievuldop

Verversingsinterval: in eerste instantie na 20 bedrijfsuren, en daarna iedere 30 bedrijfsuren.

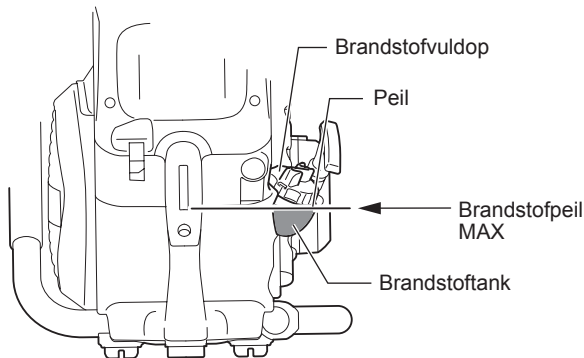
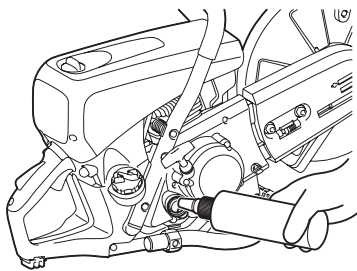
- Verwijder het vuil rondom de olievulnek en verwijder daarna de olievuldop.
- Leg de olievuldop op een ondergrond waarop hij niet in aanraking kan komen met zand of vuil. Als een vuile olievuldop wordt teruggeplaatst, kan de oliecirculatie worden gehinderd en motoronderdelen slijten waardoor een mechanische storing kan ontstaan.



De motorolie is vanaf dit peil zichtbaar zodat de markeringen MAX en MIN kunnen worden gebruikt om het oliepeil te controleren.



Olievuldop



- (1) Plaats de motor op een horizontale ondergrond en verwijder de olievuldop.
- (2) Vul olie bij tot het oliepeil aan de rand van de vulnek staat. Gebruik voor het bijvullen van olie een geschikte smeermiddelfles voor bijvullen.
- (3) Draai de olievuldop stevig vast. Als de olievuldop los zit, kan de olie eruit lekken.

#### Aandachtspunt 2 bij olie bijvullen: wat te doen als olie wordt gemorst

Als olie is gemorst tussen de brandstoftank en de motor, en de doorslijpmachine vervolgens wordt gebruikt, zal de olie naar binnen worden gezogen via de koudeluchtinlaat waardoor vervuiling kan ontstaan. Veeg gemorste olie altijd af voordat u de doorslijpmachine weer gebruikt.

#### 2. Brandstof bijvullen

##### ⚠ WAARSCHUWING:

- **Let goed op de volgende punten wanneer u brandstof bijvult. Als u dat niet doet kan dat leiden tot ontvlaming of brand.**
  - Blijf uit de buurt van vuur wanneer u brandstof bijvult. Bovendien, nooit roken of enige vorm van vuur in de buurt van de brandstof of de doorslijpmachine brengen tijdens het bijvullen van brandstof.
  - Zet de motor uit en laat hem afkoelen voordat u brandstof bijvult.
  - Draai de brandstoftankvuldop altijd langzaam los om de inwendige druk op een gecontroleerde manier te laten ontsnappen. Als u dit niet doet kan de brandstof eruit spuiten als gevolg van de inwendige druk.
  - Wees voorzichtig dat u geen brandstof morst. Als brandstof is gemorst, veegt u de brandstof af.
  - Vul brandstof bij op een goed geventileerde plaats.
- **Ga altijd uiterst voorzichtig met brandstof om.**
  - Als brandstof in aanraking komt met uw huid en/of ogen, kan dit een allergische reactie en/of ontsteking oproepen. In geval van dergelijke allergische reacties en/of ontstekingen, enz., raadpleegt u onmiddellijk een arts.

##### <Bewaartermijn van brandstof>

Als regel geldt dat brandstof die wordt bewaard in een daarvoor geschikte jerrycan op een schaduwrijke plaats met goede ventilatie, dient te worden opgebruikt binnen vier weken. Als geen geschikte jerrycan wordt gebruikt en/of de dop ervan is open blijven staan, enz., kan brandstof in de zomer in één dag verslechteren.

##### De doorslijpmachine en jerrycan opslaan

- Bewaar de doorslijpmachine en jerrycan uit de buurt van direct zonlicht op een koele plaats.
- Laat een met brandstof gevulde doorslijpmachine of jerrycan niet in een auto of in de kofferbak van een auto achter.

##### <Brandstof>

De motor is een viertaktmotor en gebruikt dus benzine voor auto's (normale benzine).

##### Aandachtspunten bij brandstof

- Gebruik geen mengsmering (benzine gemengd met motorolie). Als u dit doet, kan koolstofafzetting optreden en een mechanische storing worden veroorzaakt.
- Bij gebruik van oude brandstof is het mogelijk dat de motor slecht start.

##### <Brandstof bijvullen>

Zet altijd de motor uit en laat hem afkoelen voordat u brandstof bijvult.

##### <Bruikbare benzine> ..... Benzine voor auto's

- Draai de benzinetankvuldop iets los om de druk te laten ontsnappen zodat de uitwendige en inwendige druk gelijk zijn.
- Verwijder de benzinetankvuldop en vul brandstof bij (vul niet bij tot bovenin de vulnek).
- Na het bijvullen van de brandstof, draait u de benzinetankvuldop weer stevig vast.
- De benzinetankvuldop is een verbruiksonderdeel. Als tekenen van slijtage of andere abnormaliteiten eraan zichtbaar zijn, vervangt u hem (als richtlijn geldt dat hij iedere twee tot drie jaar moet worden vervangen).

# Gebruik

## Starten

### ⚠ WAARSCHUWING:

Start de motor niet op een plaats waar eerder brandstof is bijgevoerd. Neem ten minste drie meter afstand van de plaats waar brandstof in de doorslijpmachine werd bijgevoerd.

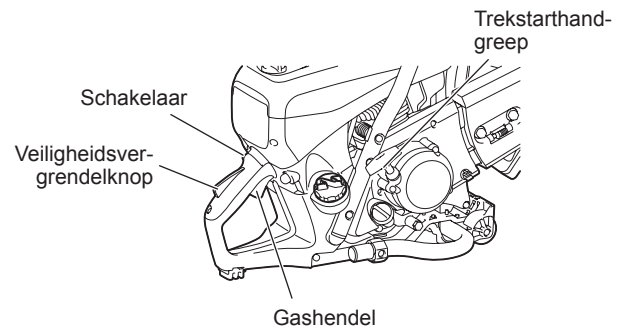
- Als u dat niet doet kan dat leiden tot ontvlaming of brand.

### ⚠ LET OP:

Voordat u de motor start, moet u controleren of de doorslijpschijf niet de grond of enig ander voorwerp raakt.

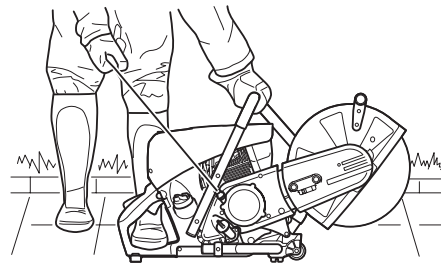
- Als de doorslijpschijf de grond of enig ander voorwerp raakt, kan hierdoor een ongeval plaatsvinden.

Zodra de motor start, begint de doorslijpschijf te draaien. Let dus goed op mensen en voorwerpen in de buurt.



## 1. Koud starten

- (1) Druk herhaaldelijk op de brandstofhandpomp tot er brandstof in verschijnt.
- (2) Zet de schakelaar in de stand  $\downarrow$  (choke).
- (3) Plaats uw voet in de achterhandgreep en houd de beugelhandgreep stevig vast met een hand.
- (4) Trek herhaaldelijk krachtig aan de trekstarthandgreep tot u hoort dat de motor aanslaat.



## Opwarmen

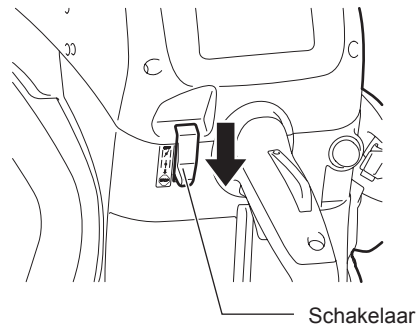
- Nadat de motor is aangeslagen, houdt u de veiligheidsvergrendelknop omlaag en knijpt u herhaaldelijk de gashendel in gedurende één of twee minuten om de motor op te warmen.
- Nadat het motortoerental is gestabiliseerd en de motor soepel oppakt van een laag naar hoog toerental, is het opwarmen voltooid.

## 2. De motor starten terwijl deze al warm is

Druk enkele keren op de brandstofhandpomp. Zet direct al de schakelaar in de stand [I] (bedrijf) en start de motor door stap (3) van bovenstaande procedure 1 uit te voeren.

### OPMERKING:

- Door herhaaldelijk aan de trekstarthandgreep te trekken en hem weer los te laten terwijl de schakelaar in de stand choke staat, zal de motor verzuipen en moeilijk starten.
- Wanneer de motor afslaat, mag u nooit de gashendel inknijpen. Door onnodig inknijpen van de gashendel terwijl de motor stilstaat, zal de motor verzuipen en moeilijk starten.
- Als de motor toch is verzopen, verwijdert u de bougie en trekt u voorzichtig enkele keren aan de trekstarthandgreep om het overschot aan brandstof te verwijderen. Maak ook het elektrodengedeelte van de bougie droog.
- Trek de trekstarthandgreep niet tot aan het uiteinde van het touw omdat op deze manier de levensduur van het touw wordt verkort. Laat bovendien de trekstarthandgreep rustig terugkeren en laat hem niet plotseling los.
- Voorkom dat de doorslijpmachine op maximaal stationair toerental draait omdat hierdoor de levensduur van de motor wordt verkort.



## 3. Uitzetten

Om de motor uit te zetten laat u de gashendel los en zet u de schakelaar in de stand  $\text{STOP}$  (stop).

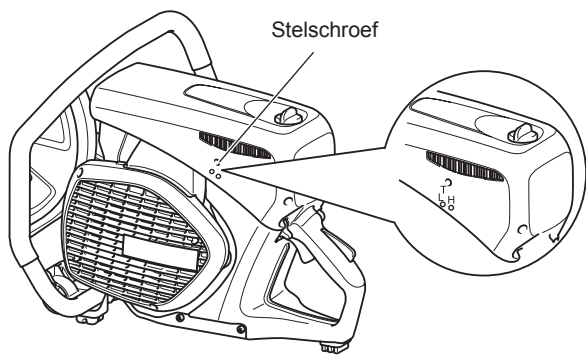
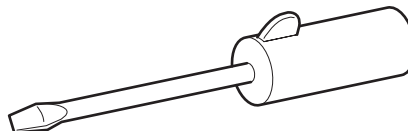
Als per ongeluk de chokehendel in de stand  $\downarrow$  wordt gezet om de motor uit te zetten, gebruikt u de halve-chokestand om de motor opnieuw te starten.

## De carburator afstellen



**OPMERKING:** Deze motor is uitgerust met een elektronische ontsteking om het toerental te begrenzen. De carburator heeft ook een vaste sproeier die niet kan worden afgesteld. In de fabriek is het stationair toerental ingesteld op ongeveer  $2.600 \text{ min}^{-1}$ , maar door de inloopprocedure van een nieuwe motor kan het noodzakelijk zijn het stationair toerental iets af te stellen.

Stel het stationair toerental in met een schroevendraaier (breedte van blad: 4 mm). Een schroevendraaier met een aangegoten nok, zoals de bijgeleverde schroevendraaier, is handig voor deze afstelling.



### 4. Stationair toerental afstellen

**LET OP:** Het afstellen van de carburator mag uitsluitend gedaan worden door een gespecialiseerd MAKITA-servicecentrum!

Voer geen enkele afstelling uit met de stelschroeven (H) en (L) zonder een toerenteller! Een verkeerde afstelling kan leiden tot motorschade!

Een toerenteller is noodzakelijk voor het maken van afstellingen met behulp van de stelschroeven (H) en (L) omdat wanneer de motor op een hoger toerental dan het nominaal maximumtoerental draait, de motor oververhit kan raken en zonder smeermiddel kan komen te zitten. Hierdoor kan de motor worden beschadigd!

Alleen de stationair-stelschroef (T) mag door de gebruiker worden verdraaid. Als de doorslijpschijf beweegt terwijl de motor stationair draait (d.w.z. zonder dat de gashendel wordt ingeknepen), is het noodzakelijk het stationair toerental af te stellen!

Het afstellen van het stationair toerental mag alleen worden uitgevoerd wanneer de motor warm is en het luchtfilter schoon is.

Gebruik een schroevendraaier (met een blad van 4 mm) voor het afstellen van het stationair toerental.

## ONDERHOUD

**LET OP:**

- Voordat u enige werkzaamheden uitvoert aan de doorslijpmachine, zet u de motor uit en laat u hem afkoelen, verwijdert u de doorslijpschijf, trekt u de bougiekap van de bougie af en trekt u veiligheidshandschoenen aan!

Als u direct na het uitzetten van de motor onderhoudswerkzaamheden uitvoert, of terwijl de bougiekap nog op de bougie zit, kan een hete motor brandwonden veroorzaken of na per ongeluk starten van de motor letsel ontstaan.

- Start de doorslijpmachine alleen nadat deze volledig in elkaar gezet en gecontroleerd is.
- Gebruik nooit benzine, wasbenzine, thinner, alcohol, enz. Dit kan leiden tot verkleuren, vervormen of barsten.

**OPMERKING:**

- Veeg vuil van de doorslijpmachine af en kies daarna een schone werkplek voor het uitvoeren van onderhoudswerkzaamheden.







## SERVICE

### BELANGRIJK:

Omdat veel van de onderdelen en onderdeelgroepen die niet in deze gebruiksaanwijzing worden genoemd van vitaal belang zijn voor de veiligheid van de machine, en omdat alle onderdelen onderhevig zijn aan een bepaalde mate van slijtage, is het van belang voor uw eigen veiligheid dat de machine regelmatig wordt gecontroleerd en onderhouden door een erkend MAKITA-servicecentrum.

### BELANGRIJK:



Als de doorslijpschijf tijdens bedrijf breekt, moet de doorslijpmachine worden gerepareerd door een MAKITA-servicecentrum voordat hij weer kan worden gebruikt!

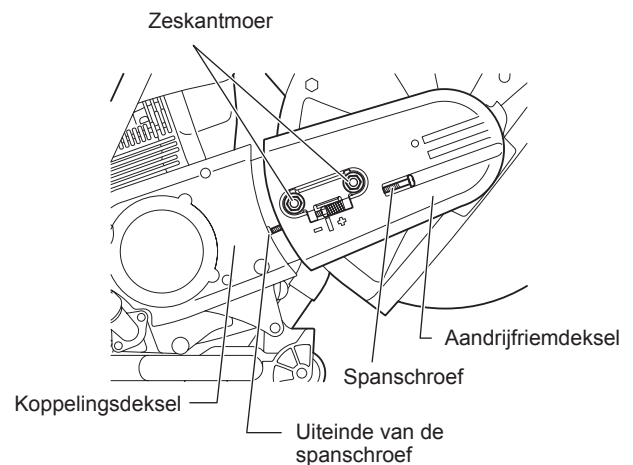
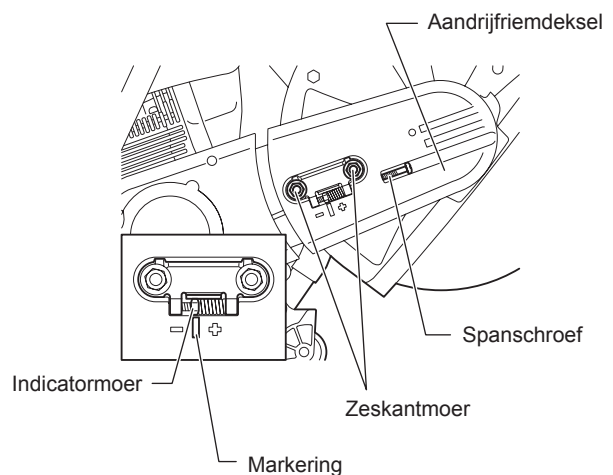
## Aandrijfriem

### 1. De aandrijfriemspanning afstellen

- Als de doorslijpschijf tijdens bedrijf gemakkelijk tot stilstand komt, is de aandrijfriem slap gaan staan. In dat geval stelt u de spanning af aan de hand van de volgende procedure.
- (1) Draai de bevestigingsmoeren van het aandrijfriemdekseel los.
- (2) Draai de spanschroef rechtsom (met de klok mee) tot de indicatormoer de gemarkeerde positie bereikt om zo de spanning van de aandrijfriem te verhogen.
- (3) Nadat het spannen van de aandrijfriem voltooid is, draait u de bevestigingsmoeren van het aandrijfriemdekseel weer stevig vast.
- Als de doorslijpschijf tijdens bedrijf gemakkelijk tot stilstand komt ondanks dat de aandrijfriem is gespannen of de aandrijfriem is gebroken, vervangt u de aandrijfriem.

### 2. De aandrijfriem vervangen

- Draai de bevestigingsmoeren los en draai de spanschroef linksom tot het uiteinde van de spanschroef zichtbaar is.
- Verwijder de bevestigingsmoeren en verwijder daarna het aandrijfriemdekseel.
- Verwijder vervolgens de drie bevestigingsbouten en verwijder het koppelingsdekseel.
- Verwijder de oude aandrijfriem en breng een nieuwe aandrijfriem aan. Bevestig daarna het koppelingsdekseel weer, gevolgd door het aandrijfriemdekseel.
- Stel de spanning af zoals hierboven beschreven in het tekstdeel onder het kopje "De aandrijfriemspanning afstellen".



## De beschermkap reinigen

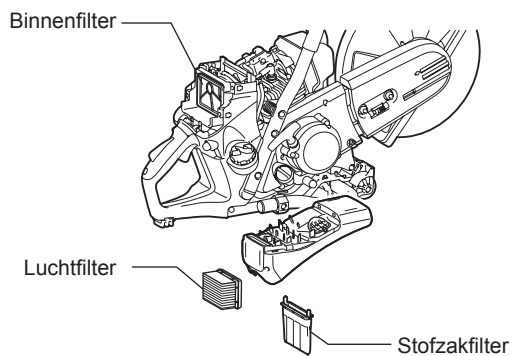
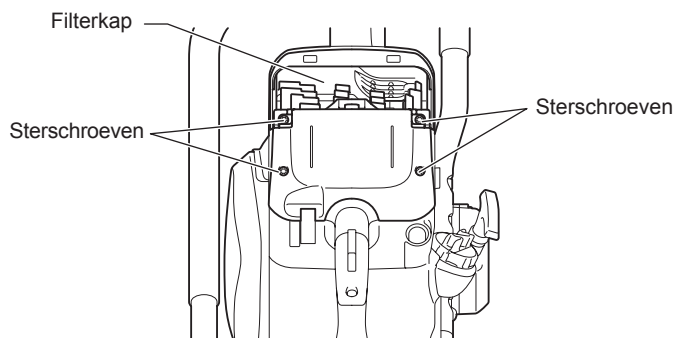
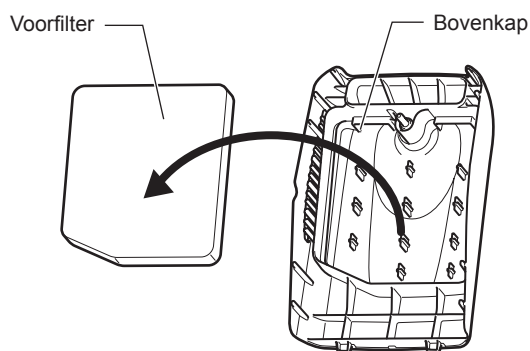
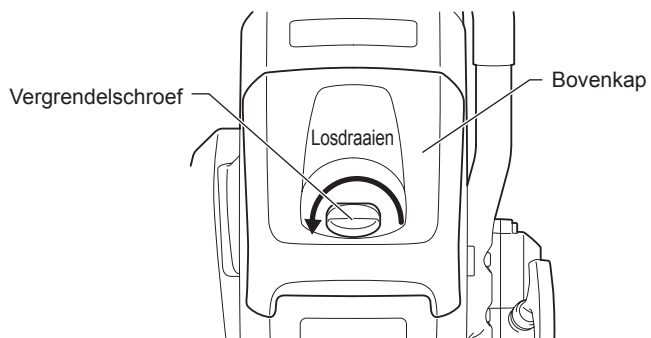
Na verloop van tijd kan de binnenkant van de beschermkap zijn aangekoekt met materiaalresten (met name door nat doorslijpen) die na ophoping het vrij ronddraaien van de doorslijpschijf kunnen hinderen. Om deze reden moet de beschermkap regelmatig worden gereinigd.

Verwijder de doorslijpschijf en verwijder het opgehoopte materiaal vanaf de binnenkant van de beschermkap met een stuk hout of soortgelijk hulpmiddel.

Reinig de as en alle gedemonteerde onderdelen met een doek.

**OPMERKING:** Om de doorslijpschijf aan te brengen, raadpleegt u "De doorslijpschijf aanbrengen".





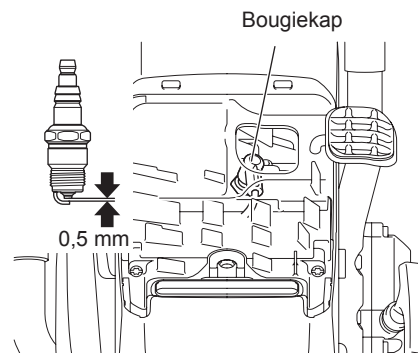
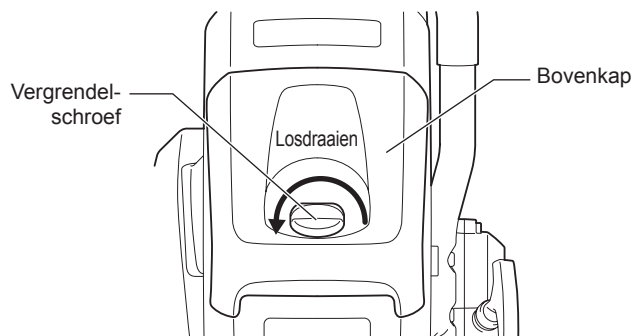
## Het luchtfiler reinigen/vervangen

- Als het luchtfiler verstopt raakt, kunnen slechte motorprestaties het gevolg zijn. Reinig daarom na ieder gebruik van de doorslijpmachine het luchtfiler op de volgende manier:
- Draai de vergrendelschroef linksom en verwijder hem.
- Verwijder de bovenkap nadat u het stof eraf hebt geblazen.
- Verwijder vervolgens het voorfilter.
- Verwijder de vier sterschroeven.
- Verwijder de filterkap.
- Verwijder het luchtfiler.
- Verwijder het stofzakfilter vanaf de filterkap, en tik en blaas er voorzichtig tegen om het te reinigen.
- Tik en blaas voorzichtig tegen het binnenfilter om vuil en stof te verwijderen. Was bovendien het binnenfilter regelmatig in zeepwater en droog het daarna grondig.
- Tik voorzichtig tegen het luchtfiler om het te reinigen. Als een luchtcompressor wordt gebruikt, blaast u de perslucht tegen de binnenkant van het luchtfiler. Het luchtfiler mag niet worden gewassen.
- Blaas het stof weg rondom de diverse filters.
- Zet het luchtfiler weer in de filterkap nadat het is gereinigd.
- Draai de vergrendelschroef stevig vast.



## De bougie onderhouden

- (1) Draai de vergrendelschroef los en verwijder de bovenkap.
- (2) Open de bougiedeksel, trek de bougiekap eraf en verwijder de bougie.
- (3) Controleer of de elektrodenafstand 0,5 mm is of niet. Als de afstand te groot of te klein is, stelt u deze af op 0,5 mm.
- (4) Als koolstof en/of vuil is afgezet op de bougie, reinigt u de bougie en monteert u hem weer. Een sterk gesleten of verbrande bougie moet worden vervangen door een nieuwe.
- (5) Na het uitvoeren van de onderhoudswerkzaamheden, monteert u de bougie weer, duwt u de bougiekap erop en sluit u het bougiedeksel.



## Het brandstoffilter vervangen

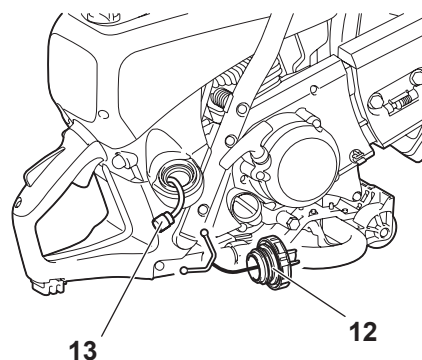
Het brandstoffilter (13) kan verstopt raken. Wij adviseren u het brandstoffilter iedere drie maanden te vervangen om verzekerd te zijn van een ongehinderde brandstofdoorvoer naar de carburator.

Draai de brandstoftankvuldop (12) los en maak de verliespreventiedraad los uit de vulnek.

Maak de brandstoftank leeg.

Om het brandstoffilter te verwijderen zodat u hem kunt vervangen, trekt u hem naar buiten door de vulnek van de brandstoftank met behulp van een stuk draad dat aan het uiteinde in de vorm van een haak is gebogen.

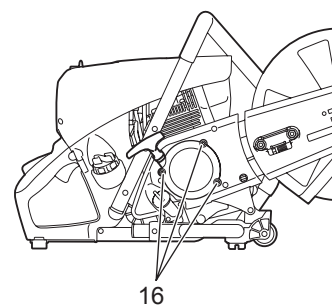
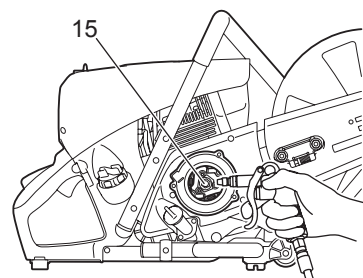
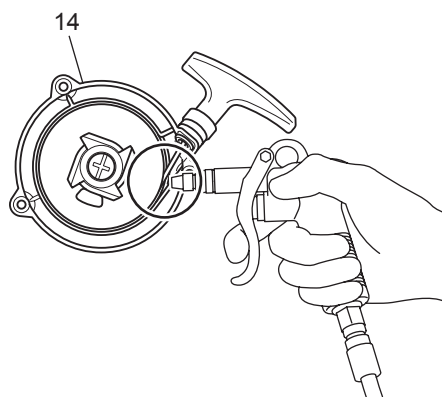
**⚠ LET OP:** Zorg ervoor dat de brandstof niet in aanraking komt met uw huid!



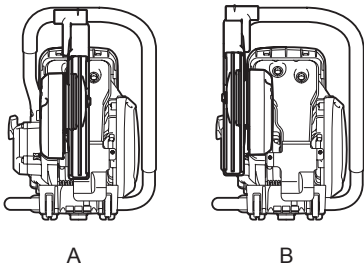
## De trekstartinrichting reinigen

Wanneer de trekstartinrichting niet goed werkt, bijvoorbeeld doordat het startkoord niet terugkeert naar de uitgangsstand, is het noodzakelijk om stof van de trekstartinrichting (14) en de koppeling (15) af te blazen.

Om de trekstartinrichting en de koppeling te kunnen reinigen, verwijdert u drie bouten (16) voor toegang.



Bevestigingsrichting



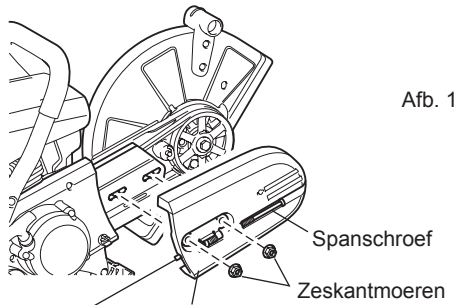
**De positie van de slijpkop veranderen (midden/zijkant)**

**Bevestigingsrichting van de beschermkap**

- De slijpkop van de doorslijpmachine is gemonteerd in de richting aangegeven in afbeelding A. Indien gewenst kunt u aan de hand van de volgende procedure hem monteren in de richting aangegeven in afbeelding B.

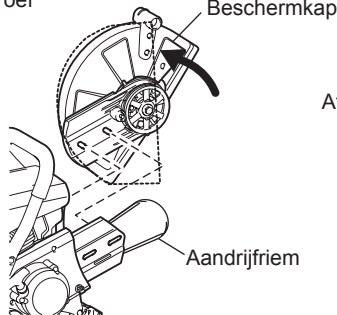
**Monteren in de richting B**

- (1) Draai de bevestigingsmoeren los en draai de spanschroef linksom tot het uiteinde van de spanschroef zichtbaar is (zie afb. 1).
- (2) Verwijder de bevestigingsmoeren en verwijder daarna het aandrijfriemdekseel (zie afb. 1).
- (3) Draai de beschermkap naar de stand aangegeven door de stippelijijn. Verwijder de aandrijfriem en verwijder daarna de slijpkop vanaf de doorslijpmachine. Verander de positie van de greep (zie afb. 2).
- (4) Trek de vergrendelas met een platkopschroevendraaier of een tang omhoog (zie afb. 3).
- (5) Draai de arm totdat deze de greep raakt en zet de vergrendelas weer terug op zijn oorspronkelijke plaats (zie afb. 4).
- (6) Draai de verwijderde slijpkop ondersteboven, steek de bout door het boutgat en monteer de slijpkop in richting B. Breng de aandrijfriem weer aan rond de poelie (zie afb. 6).
- (7) Breng het aandrijfriemdekseel aan (zie afb. 7). Draai de spanschroef om de aandrijfriem te spannen. Nadat de aandrijfriem is gespannen, draait u de bevestigingsmoeren stevig vast.

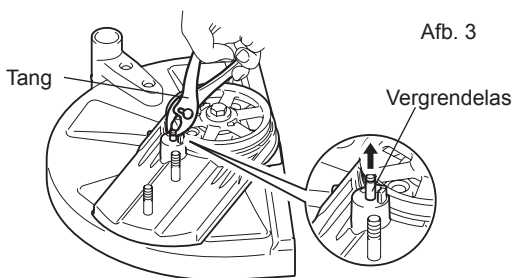


Afb. 1

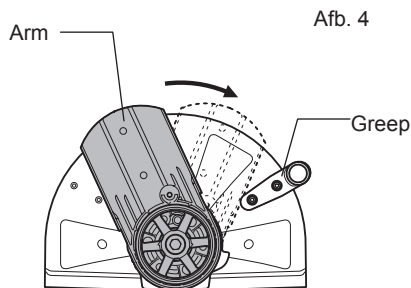
Uiteinde van de spanschroef



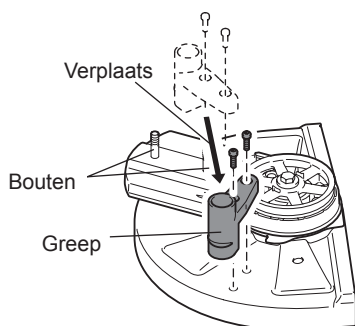
Afb. 2



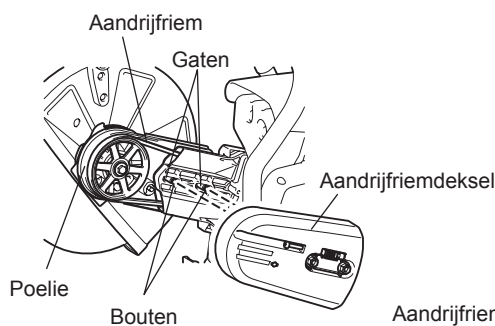
Afb. 3



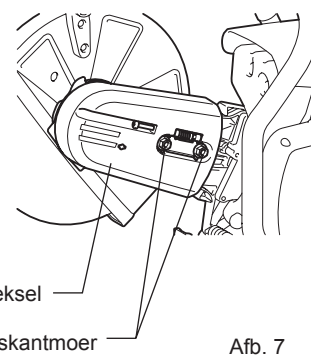
Afb. 4



Afb. 5



Afb. 6



Afb. 7

## SPECIALE ACCESSOIRES

### Diamantdoorslijpschijven

Diamantdoorslijpschijven van MAKITA voldoen aan de strengste eisen van bedrijfsveiligheid, gebruiksgemak en economische doorslijpprestaties. Zij kunnen worden gebruikt voor het doorslijpen van alle materialen **behalve metaal**.

De enorme duurzaamheid van de diamantstukjes garandeert een geringe slijtage en daarmee een zeer lange levensduur met vrijwel geen verandering van de schijfdiameter gedurende de levensduur van de schijf. Dit zorgt voor consistente prestaties tijdens het doorslijpen en daarmee voor lage kosten. Door de uitstekende doorslijpeigenschappen van deze schijven gaat het doorslijpen gemakkelijker.

De metalen schijfplaten draaien uiterst concentrisch met minimale trillingen tijdens gebruik.

Het gebruik van diamantdoorslijpschijven verkort de benodigde doorslijptijd aanzienlijk.

Dit leidt op zijn beurt weer tot lagere operationele kosten (brandstofverbruik, slijtage van onderdelen, reparaties en niet op de laatste plaats milieuschade).

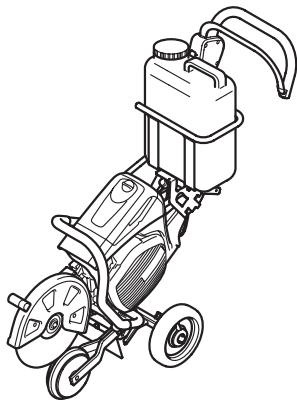
### Slijpwagen

Met de slijpwagen van MAKITA is het veel gemakkelijker in een rechte lijn door te slijpen, en zorgt er tegelijkertijd voor dat het werken bijna moeiteloos verloopt. De slijpwagen kan worden ingesteld op de lichaamslengte van de gebruiker en kan worden gebruikt terwijl de slijpkop in het midden of aan de zijkant is gemonteerd.

Een dieptebegrenzer kan worden toegevoegd voor nog gemakkelijker en nauwkeuriger doorslijpen. Dit maakt het mogelijk een exacte, vooraf ingestelde diepte van de snede aan te houden.

Om de hoeveelheid gegenereerde stof beperkt te houden en om de doorslijpschijf beter te koelen biedt MAKITA diverse mogelijkheden om de schijf tijdens het gebruik nat te houden.

- Slijpwagen  
Deze is handig bij het doorslijpen van wegverhardingen
- Filtersets  
Voorfilter (5 filters)  
LuchtfILTER (1 filter)  
Stofzakfilter (1 filter)



### Watertank (onderdeel van de slijpwagen)

De watertank is bedoeld om op de slijpwagen geplaatst te worden. Met zijn grote inhoud is hij bijzonder geschikt voor situaties waarbij veelvuldig van locatie wordt veranderd. Voor gemakkelijk vullen en eenvoudig omwisselen met een reservetank kan de watertank gewoon van de wagen af getild worden.

De watertank wordt geleverd met alle benodigde aansluitingen en slangen. De watertank kan zeer snel en eenvoudig op de slijpwagen en doorslijpmachine worden gemonteerd.

### Waterleidingnetwerk/waterspuitsysteem

Het waterleidingnetwerk/waterspuitsysteem is ontworpen om te worden gemonteerd op de doorslijpmachine. Het kan worden gebruikt met of zonder de slijpwagen, maar is met name geschikt in situaties met stationair doorslijpen uit de vrije hand. De waterleiding is voorzien van een snelontkoppeling en het water kan worden aangevoerd vanuit het waterleidingnetwerk of vanuit een hogedrukwatertank (7).

Het watersysteem wordt geleverd met alle benodigde aansluitingen en leidingen. Het kan snel en eenvoudig worden gemonteerd op de doorslijpmachine.

## Onderhoudsschema

Item	Gebruikstijd	Voor gebruik	Na bijvullen van brandstof	Dagelijks (10 uur)	20 uur	30 uur	50 uur	200 uur	Vóór opslag	Zie pagina
Motorolie	Inspecteren/ reinigen	○								118
	Vervangen					○*1				
Vastdraaien (bouten, moeren)	Inspecteren	○								—
Brandstoftank	Reinigen/ inspecteren	○								—
	Brandstof aftappen								○*3	113
Aandrijfriem	Inspecteren/ afstellen	○								122
Gashendel	Werking controleren		○							—
Stopschakelaar	Werking controleren		○							120
Doorslijpschijf	Inspecteren	○		○						110
Stationair toerental	Inspecteren/ afstellen			○						121
Luchtfilter	Reinigen						○			123
Stofzakfilter	Reinigen/ vervangen				○					123
Voorfilter	Reinigen/ vervangen			○						123
Bougie	Inspecteren			○						124
Koelluchtinlaatopening en koelribben van de cilinder	Reinigen/ inspecteren			○						—
Brandstofleiding	Inspecteren			○						—
	Vervangen							◎*2		—
Brandstoffilter	Reinigen/ vervangen						○			124
Klepspeling (inlaatklep en uitlaatklep)	Inspecteren/ afstellen							◎*2		—
Carburateur	Brandstof aftappen								○*3	113

\*1 Eerste keer verversen na 20 bedrijfsuren.

\*2 Vraag een erkend servicecentrum of een machinewerkplaats om de inspectie na 200 bedrijfsuren uit te voeren.

\*3 Na het aftappen van de brandstoftank, laat u de motor draaien om de brandstof in de carburateur op te gebruiken.

## Storingzoeken

Probleem	Systeem	Waarneming	Oorzaak
De doorslijpschijf begint niet te draaien	Koppeling	Motor loopt	Schade aan de koppeling
Motor start niet of zeer moeilijk	Ontstekingsysteem Brandstoftoevoersysteem Compressiesysteem Mechanisch defect Koppeling	Ontstekingsvonk OK Geen ontstekingsvonk aanwezig Brandstoftank is vol Geen compressie bij aantrekken Starter grijpt niet aan De verontreiniging kleeft aan de koppeling en de omliggende onderdelen	Fout in brandstoftoevoer of compressiesysteem, mechanisch defect Stopschakelaar ingeschakeld, bedradingsfout of kortsluiting, bougie of bougiekap defect, ontstekingsmodule defect Onjuiste stand van chokehendel, carburator defect, brandstofleiding geknikt of verstopt, brandstof vuil Cilinderkoppakking defect, krukasafdichtingen beschadigd, cilinder of zuigerveren defect, of slechte afdichting van bougie Gebroken startveer, gebroken onderdelen binnenin de motor De ratelveer is verontreinigd en geopend. Laat hem reinigen
Problemen bij starten van warme motor	Carburator	Brandstoftank vol, ontstekingsvonk aanwezig	Carburator is vervuild. Laat deze schoonmaken.
Motor start, maar slaat direct weer af	Brandstoftoevoersysteem	Brandstoftank is vol	Verkeerde afstelling van stationair toerental, of brandstoffilter of carburator is vervuild Ontluchting brandstoftank defect, brandstofleiding niet open, gaskabel of stopschakelaar defect
Onvoldoende prestaties	Mogelijk zijn meerdere systemen tegelijk de oorzaak	Slecht stationair lopen	Luchtfilter is vervuild, carburator is vervuild, uitlaatdemper is verstopt, uitlaatkanaal in de cilinder is verstopt

## Problemen oplossen

Alvorens een verzoek voor reparatie in te dienen, controleer u de storing zelf aan de hand van de onderstaande tabel. Als een probleem is gevonden, repareert u het gereedschap aan de hand van de beschrijvingen in deze gebruiksaanwijzing. Probeer nooit enig onderdeel te demonteren of repareren in strijd met de beschrijvingen. Voor reparatie neemt u contact op met een erkend servicecentrum of uw plaatselijke dealer.

Probleemomschrijving	Mogelijke oorzaak (storing)	Oplossing
Motor start niet	De brandstofhandpomp werd niet ingedrukt	Druk deze 7 tot 10 keer in
	Te zwak trekken aan de trekstarthandgreep	Trek krachtig
	Gebrek aan brandstof	Vul brandstof bij
	Verstopt brandstoffilter	Reinig
	Gebroken brandstofleiding	Maak de brandstofleiding recht
	Verslechterde brandstof	De verslechterde brandstof bemoeilijkt het starten. Vervang de brandstof door nieuwe. (Aanbevolen vervangingstermijn: 1 maand)
	Buitensporige toevoer van brandstof	Verander de stand van de gashendel van middelhoog toerental naar hoog toerental en trek aan de trekstarthandgreep tot de motor start. Nadat de motor is gestart, begint de doorslijpschijf te draaien. Let goed op de doorslijpschijf. Als de motor nog steeds niet start, draait u de bougie eruit, maakt u de elektroden droog, en monteert u de bougie weer. Start vervolgens zoals beschreven.
	Bougiekap ligt eraf	Bevestig stevig
	Vervuilde bougie	Reinig
	Verkeerde elektrodenafstand van bougie	Stel de elektrodenafstand af
	Ander probleem met de bougie	Vervang
	Probleem met de carburator	Dien een verzoek in voor inspectie en onderhoud
	Trekstarthandgreep kan niet worden getrokken	Dien een verzoek in voor inspectie en onderhoud
	Probleem met aandrijving	Dien een verzoek in voor inspectie en onderhoud
Verontreinigde koppeling en omliggende onderdelen	Reinig	
Motor slaat snel af Motortoerental neemt niet toe	Onvoldoende opgewarmd	Warm de motor op
	Chokehendel staat in de stand "I" ondanks dat de motor opgewarmd is.	Zet in de stand "ON III"
	Verstopt brandstoffilter	Reinig
	Vervuild of verstopt luchtfilter	Reinig
	Probleem met de carburator	Dien een verzoek in voor inspectie en onderhoud
	Probleem met aandrijving	Dien een verzoek in voor inspectie en onderhoud
Doorslijpschijf draait niet	Bevestigingsbout van de doorslijpschijf zit los	Draai goed vast
↓	Probleem met aandrijving	Dien een verzoek in voor inspectie en onderhoud
Motor slaat slaat onmiddellijk af		
Motorblok trilt abnormaal sterk	Doorslijpschijf is gebroken, verbogen of versleten	Vervang de doorslijpschijf
	↓	
	Motor slaat slaat onmiddellijk af	
Doorslijpschijf stopt niet onmiddellijk	Bevestigingsbout van de doorslijpschijf zit los	Draai goed vast
	Probleem met aandrijving	Dien een verzoek in voor inspectie en onderhoud
	Motor slaat slaat onmiddellijk af	
Doorslijpschijf stopt niet onmiddellijk	Hoog stationair toerental	Stel af
	Gasklepverbinding is losgeraakt	Dien een verzoek in voor inspectie en onderhoud
	Probleem met aandrijving	Dien een verzoek in voor inspectie en onderhoud
Motor slaat niet af	Stekker losgeraakt	Bevestig stevig
	↓	
Laat de motor stationair draaien en zet de chokehendel in de stand "I"	Probleem met elektrisch systeem	Dien een verzoek in voor inspectie en onderhoud

Als de motor niet start ondanks dat deze opgewarmd is:

Als bij het doorlopen van de controlepunten geen probleem wordt gevonden, zet u de chokehendel ongeveer 1/3 open en start u de motor.



## Opslag

### WAARSCHUWING:

**Als u de brandstof wilt aftappen, zet u altijd de motor uit, laat u hem afkoelen en tapt u daarna de brandstof af.**

- Als u de brandstof aftapt onmiddellijk nadat de motor is uitgezet, kunnen vlammen of brand ontstaan waardoor brandwonden kunnen worden veroorzaakt.

### LET OP:

**Als de doorslijpmachine niet gebruikt gaat worden gedurende een langere tijd, tapt u alle brandstof af en bewaart u de doorslijpmachine op een droge, schone plaats.**

- Volg de volgende procedure om de brandstof af te tappen uit de brandstoftank en carburator.
- (1) Verwijder de brandstoftankvuldop en tap de brandstof af totdat de brandstoftank leeg is.  
Controleer op dit moment of zich vreemde stoffen in de brandstoftank bevinden. Als dat het geval is, verwijdert u deze.
  - (2) Gebruik een stukje draad of iets soortgelijks om het brandstoffilter uit de vulnek te trekken.
  - (3) Druk op de brandstofhandpomp totdat alle brandstof teruggestroomd is naar de brandstoftank en verwijder daarna deze brandstof uit de brandstoftank.
  - (4) Plaats het brandstoffilter terug op zijn plaats in de brandstoftank en draai de brandstoftankvuldop vervolgens stevig vast.
  - (5) Laat tenslotte de motor lopen tot hij stopt.
  - (6) Verwijder de bougie en verwijder de paar druppels motorolie uit het bougiegat.
  - (7) Trek langzaam aan de trekstarhandgreep om olie door de hele motor te circuleren en plaats daarna de bougie terug.
  - (8) Giet de afgetapte brandstof in een geschikte jerrycan en bewaar deze op een schaduwrijke, goed geventileerde plaats.

**¡Gracias por comprar un producto MAKITA!**

¡Enhorabuena por la compra de un cortador MAKITA! Confiamos en que estará satisfecho con este moderno equipo.

Queremos que esté satisfecho con su producto MAKITA.

Para garantizar un funcionamiento y un rendimiento óptimos del cortador y para garantizar su seguridad personal, le solicitamos que realice las siguientes acciones:

**Lea este manual de instrucciones con atención antes de poner en funcionamiento el cortador por primera vez y respete estrictamente las normativas de seguridad. Si no se toman estas precauciones se pueden producir lesiones graves o la muerte.**

**Sólo para países europeos****Declaración de conformidad de la CE**

**Nosotros, Makita Corporation, en calidad de fabricante responsable, declaramos que las siguientes máquinas Makita:**

Designación de la máquina: Cortador

Nº de modelo/ Tipo: EK7650H, EK7651H

Especificaciones: consulte la tabla "Datos técnicos".

son de producción serie y

**Cumplen con las siguientes Directivas europeas:**

2000/14/CE, 2006/42/CE

Y se han fabricado de acuerdo con los siguientes estándares o documentos estandarizados:

EN ISO 19432

La documentación técnica la conserva nuestro representante autorizado en Europa, que es:

Makita International Europe Ltd.,

Michigan Drive, Tongwell,

Milton Keynes, Bucks MK15 8JD, Inglaterra

El procedimiento de evaluación de conformidad requerido por la Directiva 2000/14/CE se realizó de acuerdo con el anexo V.

Nivel de potencia sonora medido: 113 dB (A)

Nivel de potencia sonora garantizado: 114 dB (A)

14. 1. 2011

Tomoyasu Kato  
Director

Makita Corporation

3-11-8, Sumiyoshi-cho,

Anjo, Aichi, 446-8502, JAPAN

Tabla de contenido	Página
<b>Embalaje</b> .....	132
<b>Inventario de elementos entregados</b> .....	133
<b>Símbolos</b> .....	133
<b>PRECAUCIONES DE SEGURIDAD</b> .....	134
Precauciones generales.....	134
Equipo de protección.....	134
Combustible / Repostaje.....	135
Inicio de las operaciones.....	135
Discos de corte.....	136
Contragolpe y bloqueo.....	137
Comportamiento de trabajo / Método de trabajo.....	137
Corte de metales.....	138
Corte de mampostería y hormigón.....	138
Transporte y almacenamiento.....	139
Mantenimiento.....	140
Primeros auxilios.....	140
<b>Datos técnicos</b> .....	141
<b>Denominación de los componentes</b> .....	142
<b>INICIO DE LAS OPERACIONES</b> .....	143
Montaje del disco de corte.....	143
Tensar la correa en V / comprobar el tensado de la correa en V.....	144
Antes del uso.....	144
<b>Operaciones</b> .....	146
Arranque.....	146
<b>Ajuste del carburador</b> .....	147
<b>MANTENIMIENTO</b> .....	147
Correa en V.....	148
Limpieza de la cubierta de protección.....	148
Limpieza/cambio del filtro de aire.....	149
Mantenimiento de la bujía.....	150
Sustitución del cabezal de succión.....	150
Limpieza del arrancador.....	151
Cambio de la posición del accesorio de corte (central/lateral).....	152
<b>ACCESORIOS ESPECIALES</b> .....	153
Discos de corte de diamante.....	153
Carro de guía.....	153
Depósito de agua (parte del carro).....	153
Sistema de agua a presión/conexión a la red.....	153
<b>Tabla de mantenimiento</b> .....	154
<b>Localización de averías</b> .....	155
<b>Localización y solución de averías</b> .....	156
<b>Almacenamiento</b> .....	157

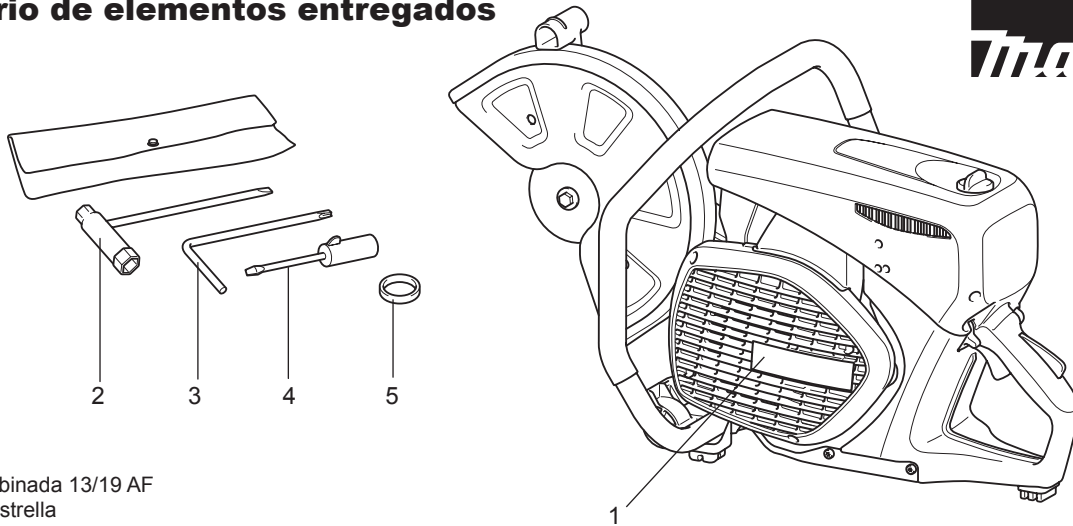
**Embalaje**

El cortador MAKITA está embalado en una caja de cartón para evitar daños durante su transporte.

El cartón es una materia prima básica y, por lo tanto, se puede reciclar (reciclado de residuos de papel).



## Inventario de elementos entregados



1. Cortador
2. Llave combinada 13/19 AF
3. Llave de estrella
4. Destornillador para el ajuste del carburador
5. Anillo adaptador (es posible que las herramientas para algunos países no requieran este anillo.)
6. Manual de instrucciones (no se muestra)

Si una de las piezas enumeradas no se incluye en el inventario de elementos entregados, consulte con su representante de ventas.

## Símbolos

Observará los siguientes símbolos en la sierra y el Manual de instrucciones:

	Lea el manual de instrucciones y respete las advertencias y las precauciones de seguridad		Dimensiones del disco de corte
	¡Cuidado y atención específicos!		Encendido manual del motor
	Prohibido		Detenga el motor
	Utilice un casco de seguridad, protección para los ojos y oídos y protección respiratoria		Advertencia ¡Contragolpe!
	Utilice guantes de protección		Combustible (Gasolina)
	No fume		Primeros auxilios
	Se prohíben llamas abiertas		Reciclable
	Dirección de giro del disco de corte		Marca CE
	<b>⚠ ADVERTENCIA:</b> la velocidad periférica máx. del disco de corte es de 80 m/s.		

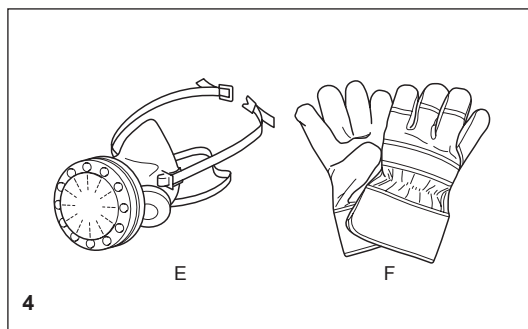
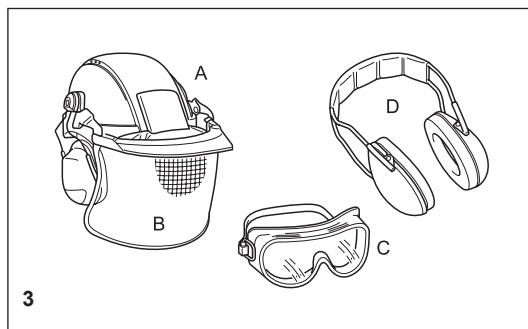
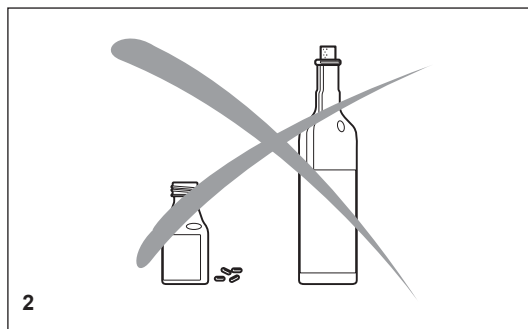
# PRECAUCIONES DE SEGURIDAD

## Precauciones generales

- El operario **DEBE leer este manual de instrucciones para garantizar un uso seguro (aunque ya tenga experiencia en el uso de sierras de corte)**. Es importante estar familiarizado con el funcionamiento de este tipo de sierra de corte específico. Los usuarios con una información insuficiente se pondrán en riesgo a ellos mismos y pondrán en riesgo a otros a causa de un manejo incorrecto.
- Solamente deben trabajar con esta unidad las personas que tengan experiencia en el uso de sierras de corte. Cuando deje que otra persona use el cortador, debe proporcionarse este manual de instrucciones junto con la herramienta.
- Los operarios que utilicen la herramienta por primera vez deben solicitar a un especialista que les instruya en el trabajo con sierras de corte con motor de gasolina.
- Los niños y las personas de menos de 18 años no pueden utilizar este cortador. No obstante, las personas de más de 16 años pueden usar el cortador con finalidades de aprendizaje si están bajo la supervisión de un instructor cualificado.
- El trabajo con el cortador requiere una alta concentración.
- Utilice el cortador solamente si se encuentra en buen estado físico. Si está cansado, su atención se verá reducida. Tenga especial cuidado al final de un día de trabajo. Realice todo el trabajo con calma y con cuidado. El usuario tiene que aceptar la responsabilidad por otros.
- Nunca trabaje bajo la influencia del alcohol, drogas, medicamentos u otras sustancias que puedan dificultar la visión, la destreza o la capacidad de juicio.
- Debe haber un extintor disponible en las cercanías inmediatas.
- El amianto y otros materiales que pueden liberar toxinas solamente se pueden cortar con las precauciones de seguridad necesarias y tras la notificación a las autoridades competentes, y bajo su supervisión o la de las personas asignadas por las autoridades.

## Equipo de protección

- Para evitar lesiones en la cabeza, los ojos, las manos o los pies y para proteger los oídos, debe llevarse el siguiente equipo de protección mientras se utiliza el cortador.
- El tipo de ropa debe ser apropiado, es decir, debe estar ajustado al cuerpo pero no debe ser una molestia. No se debe llevar ropa en la que se puedan acumular pequeños fragmentos de material (pantalones con vueltas, chaquetas y pantalones con bolsillos abiertos, etc.), especialmente cuando se corte metal.
- No lleve joyas o ropa que pueda quedar atrapada o que pueda distraer al operario del cortador.
- Es necesario llevar un casco de protección cuando se trabaje con el cortador. Debe comprobarse periódicamente si el **casco protector (A)** tiene algún daño y se debe sustituir cada 5 años como máximo. Utilice solamente cascos protectores homologados.
- El **visor (B)** protege la cara del polvo y de los pequeños fragmentos de material. Para evitar lesiones en los ojos y la cara, utilice siempre **gafas protectoras (C)** o un visor cuando utilice el cortador.
- Para evitar daños en los oídos, utilice siempre una **protección auditiva** personal adecuada (orejeras (D), tapones para los oídos, etc.). Análisis de banda de octavas bajo petición.
- Cuando realice un corte en seco en materiales que creen polvo, como piedra u hormigón, utilice siempre una **protección respiratoria (E)** homologada.
- Los **guantes de trabajo (F)** de piel resistente son parte del kit de trabajo necesario para el cortador y siempre se deben llevar cuando se trabaje con el cortador.



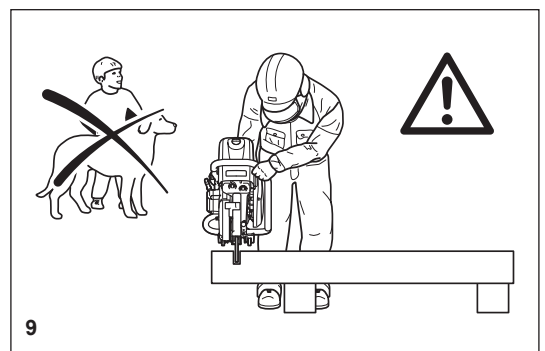
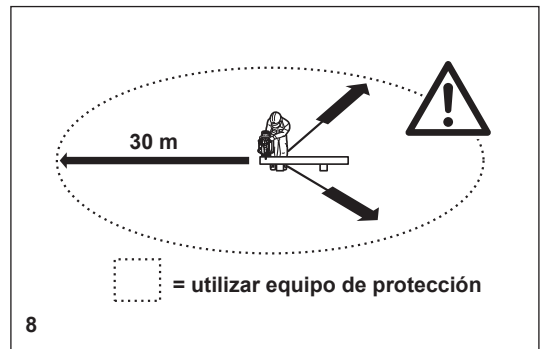
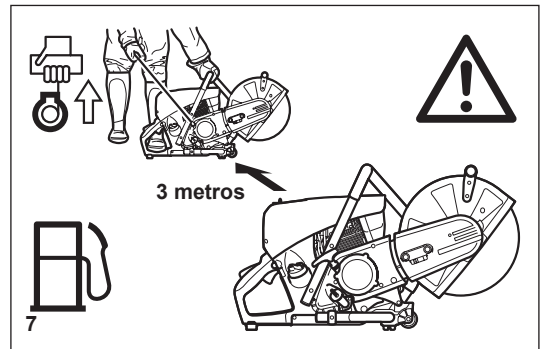
- Utilice siempre **zapatos o botas de seguridad (G)** con punteras de acero, suelas antideslizamiento y protectores para las piernas cuando trabaje con el cortador. Los zapatos de seguridad equipados con una capa protectora proporcionan protección contra cortes y garantizan un equilibrio seguro.
- Utilice siempre **ropa de trabajo (H)** de material resistente.

### Combustible / Repostaje

- Vaya a un lugar seguro y nivelado antes de repostar. **Nunca reposte en andamiajes, sobre montones de material o en lugares similares.**
- Apague el motor antes del repostaje del cortador.
- No fume ni trabaje cerca de llamas abiertas (6).
- Deje que el motor se enfríe antes de repostar.
- El combustible puede contener sustancias similares a los disolventes. Los ojos y la piel no deben entrar en contacto con productos de aceite mineral. Utilice siempre guantes protectores cuando reposte (no utilice guantes de trabajo normales). Limpie y cambie frecuentemente la ropa de protección. No inhale el vapor de combustible. La inhalación de vapores de combustible puede ser peligrosa para su salud.
- No derrame combustible. Si se produce un derrame, limpie el cortador inmediatamente. El combustible no debe entrar en contacto con la ropa. Si la ropa entra en contacto con combustible, cámbiela inmediatamente.
- Asegúrese de que el combustible no rezume en el suelo (protección medioambiental). Utilice una base adecuada.
- No se permite repostar en recintos cerrados. Los vapores de combustible se acumularán cerca del suelo (peligro de explosión).
- Asegúrese de apretar firmemente la tapa de rosca del depósito de combustible.
- Antes de poner en marcha el motor, desplácese a una ubicación alejada como mínimo 3 metros (aprox. 3 1/4 de yarda) del lugar de repostaje del cortador (7), pero no en el intervalo ampliado de oscilación del disco de corte (dirección de las chispas).
- El combustible no se puede guardar durante un período de tiempo ilimitado. Compre solamente la cantidad que utilizará en un futuro próximo.
- Utilice solamente los contenedores homologados y marcados para el transporte y el almacenamiento de combustible.
- **Mantenga el combustible lejos de los niños.**

### Inicio de las operaciones

- **No trabaje usted solo. Debe haber alguien cerca en caso de emergencia (a una distancia que le permita comunicarse en voz alta).**
- Respete todas las normativas relacionadas con el ruido cuando trabaje en zonas residenciales.
- **Nunca utilice el cortador cerca de materiales inflamables o gases explosivos. El cortador puede provocar chispas que pueden causar un incendio o una explosión.**
- Asegúrese de que todas las personas a 30 metros (33 yardas), como otros trabajadores, utilicen equipamiento de protección (consulte "Equipo de protección") (8). Los niños o las personas no autorizadas deben permanecer a más de 30 metros de distancia del área de trabajo. Vigile también la presencia de animales (9).
- **Antes de iniciar el trabajo debe comprobarse el correcto funcionamiento y la seguridad de funcionamiento del cortador de acuerdo con las instrucciones.**  
En concreto, asegúrese de que el disco de corte esté en buen estado (sustitúyalo inmediatamente si está roto, dañado o doblado), si el disco de corte está montado correctamente, si la cubierta de protección está encajada en su sitio, si la protección para las manos está montada correctamente, si la correa en V está tensada correctamente, si la palanca de gases se mueve fácilmente y si las empuñaduras están limpias y secas, y si el interruptor de combinación funciona correctamente.
- Ponga en marcha el cortador solamente después de completar el ensamblado y realizar una inspección. No utilice nunca el cortador cuando no se haya ensamblado completamente.



## Discos de corte

- Siempre debe utilizarse la cubierta de protección. Cambie los discos solamente con el motor apagado.
- Existen dos tipos básicos de discos de corte:
  - Para metal (corte en caliente)
  - Para mampostería (corte en frío)

### NOTA:

Cuando utilice discos de corte de diamante, asegúrese siempre de respetar las marcas de "dirección de giro". Solamente se deben usar discos de diamante para cortar mampostería/ladrillos/hormigón, etc.

- Los discos de corte están pensados solamente para carga radial, es decir, para cortar.
- No pule con los laterales del disco de corte. Esta acción romperá el disco (10).

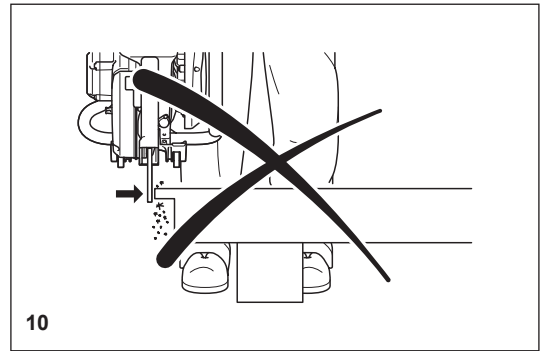
### ⚠ PRECAUCIÓN:

**Nunca cambie la dirección (radio de giro inferior a 5 metros / 5 1/2 yardas), no ejerza presión lateral (hacia un lado) ni incline el cortador durante el corte (11).**

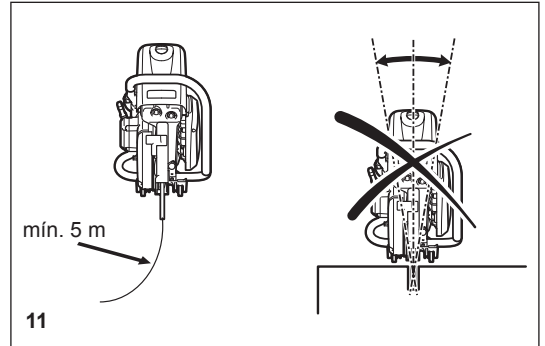
- Utilice un disco de corte solamente en los materiales para los que se ha diseñado. Debe utilizarse el tipo de disco adecuado, para metales o mampostería.
- El orificio de montaje del disco (calibre) del disco de corte debe coincidir exactamente con el eje. Si el orificio de montaje del disco es superior al diámetro del eje, se debe utilizar un anillo espaciador (accesorios).
- Utilice solamente discos de corte aprobados por el DSA (comité alemán de discos abrasivos) o una organización equivalente para el corte manual a un máximo de 4.370 RPM (= 80 m/s en circunferencia) para discos de 14"/355 mm, o hasta 5.100 RPM (= 80 m/s en circunferencia) para discos de 12"/300 mm.
- El disco debe estar libre de defectos (12). No utilice discos de corte defectuosos.

**Apriete siempre el perno de montaje del disco de corte con un par de apriete de 30 Nm. De lo contrario, el disco de corte se puede retorcer.**

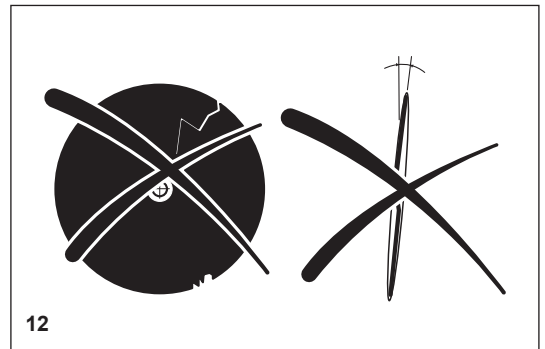
- Antes de poner en marcha el disco de corte, asegúrese de tener un equilibrio estable.
- Utilice el cortador únicamente como se describe en este manual de instrucciones (13). Coloque siempre su pie izquierdo en la empuñadura posterior y sujete la otra empuñadura firmemente (con el pulgar y el resto de dedos). No se permite ningún otro método de puesta en marcha.
- Cuando se ponga en marcha el cortador, debe estar bien apoyado y firmemente sujeto. El disco de corte no debe estar en contacto con nada.
- Si el disco de corte es nuevo, pruébelo haciéndolo funcionar como mínimo durante 60 segundos a velocidad máxima. Cuando lo haga, asegúrese de que no haya ninguna persona ni ninguna parte del cuerpo en el intervalo ampliado de oscilación del disco, en caso de que sea defectuoso y salga despedido.
- **Cuando trabaje con el cortador, sujételo siempre con ambas manos.** Tome la empuñadura posterior con la mano derecha y la empuñadura tubular con la mano izquierda. Sujete las empuñaduras firmemente con los pulgares mirando hacia los dedos.
- **PRECAUCIÓN: Cuando suelte la palanca de la mariposa de gases el disco seguirá girando durante un breve período de tiempo** (efecto de giro por inercia).
- Asegúrese continuamente de que tiene un equilibrio seguro.
- Sujete el cortador de forma que no inhale los gases de escape. No trabaje en recintos cerrados o en orificios profundos o zanjas (peligro de envenenamiento por humo).
- **Apague el cortador inmediatamente si observa algún cambio en su comportamiento de funcionamiento.**
- **Apague el motor antes de inspeccionar el tensado de la correa en V o apretarla, sustituir el disco de corte, reposicionar el accesorio de corte (posición lateral o central) o eliminar defectos (14).**
- Apague el motor inmediatamente y compruebe el disco si oye o nota un cambio en el comportamiento de corte.
- Apague el cortador cuando realice una pausa o deje de trabajar (14). Coloque la unidad de forma que el disco no esté en contacto con nada y no pueda representar un peligro para nadie.
- No coloque el cortador sobrecalentado en césped seco o sobre objetos inflamables. El silenciador está muy caliente (peligro de incendio).
- **IMPORTANTE:** Tras el corte en mojado, apague primero la alimentación de agua y después deje el disco girando como mínimo durante 30 segundos, para expulsar el agua restante y evitar la corrosión.



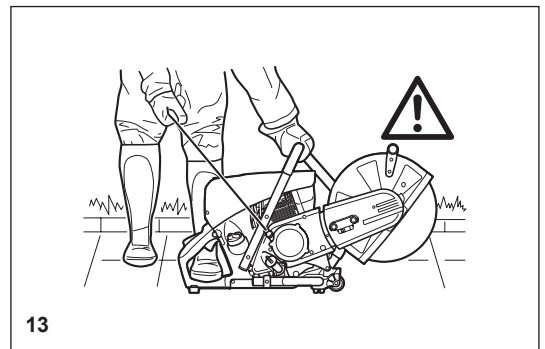
10



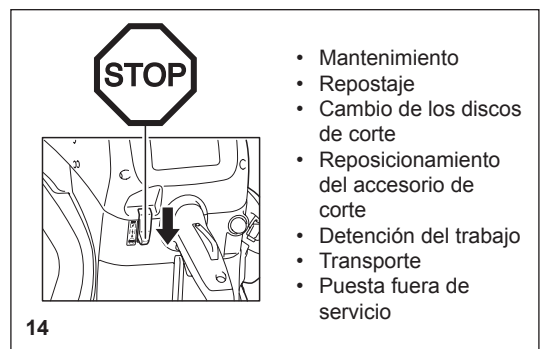
11



12



13



14

- Mantenimiento
- Repostaje
- Cambio de los discos de corte
- Reposicionamiento del accesorio de corte
- Detención del trabajo
- Transporte
- Puesta fuera de servicio



## Contragolpe y bloqueo

- Durante el trabajo con el cortador, existe un peligro de contragolpe y bloqueo.
- El contragolpe se produce cuando se utiliza la parte superior del disco de corte para cortar (15).
- Esto hace que el cortador salga despedido hacia el usuario con gran fuerza y fuera de control. **¡Riesgo de lesiones!**

**Para evitar los contragolpes, respete estas indicaciones:**

- Nunca corte con la sección del disco de corte que se muestra en la figura 15. **Tenga especial cuidado cuando vuelva a insertar el disco en los cortes que ya se han iniciado.**
- Se produce un bloqueo cuando el corte se estrecha (grieta o pieza de trabajo bajo tensión).
- Esto hace que el cortador salte repentinamente hacia delante, fuera de control y con gran fuerza. **¡Riesgo de lesiones!**

**Para evitar los bloqueos, respete estas indicaciones:**

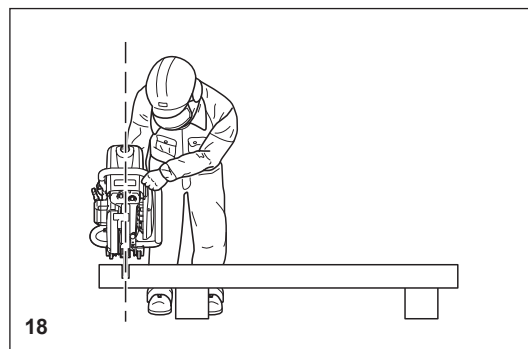
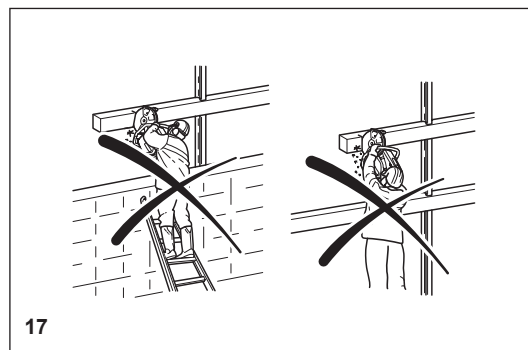
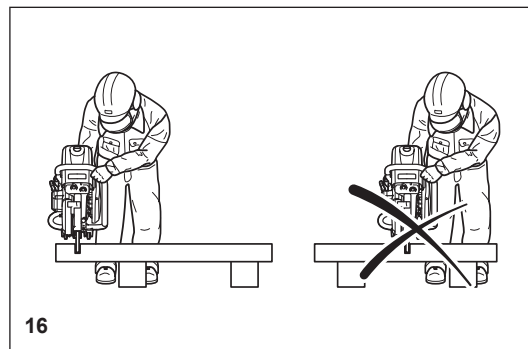
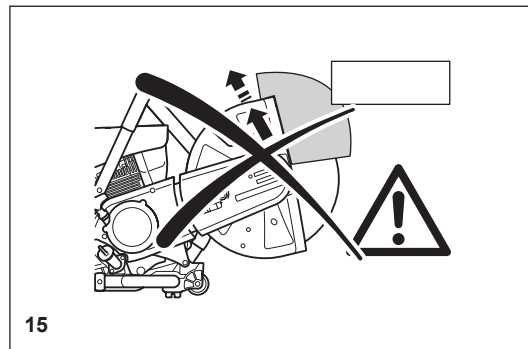
- Cuando vuelva a insertar el disco en cortes previos, el cortador debe estar funcionando a su velocidad máxima. Corte siempre a la velocidad máxima.
- Sujete siempre la pieza de trabajo para que el corte se realice bajo tensión (16), de forma que el corte no se cierre sobre sí mismo y no atasque el disco de corte a medida que éste avanza por el material.
- Cuando inicie un corte, aplique el disco a la pieza de trabajo con cuidado. No lo empuje simplemente sobre el material.
- Nunca corte más de una pieza cada vez. Cuando corte, asegúrese de que ninguna otra pieza de trabajo entre en contacto.

## Comportamiento de trabajo / Método de trabajo

- Antes de iniciar el trabajo, compruebe el área por si hay algún peligro (cables eléctricos, sustancias inflamables). Marque claramente el área de trabajo (por ejemplo, con signos de advertencia o acordonando la zona).
- Cuando trabaje con el cortador, sujételo firmemente por las empuñaduras delantera y posterior. Nunca deje el cortador desatendido.
- Siempre que sea posible, haga funcionar el cortador a la velocidad nominal del eje (consulte los "Datos técnicos").
- Utilice el cortador únicamente en períodos de buena iluminación y visibilidad. Tenga cuidado con las zonas húmedas o resbaladizas y de hielo o nieve (riesgo de resbalar).
- No trabaje nunca en superficies inestables. Asegúrese de que no haya obstáculos en el área de trabajo, ya que corre el riesgo de tropezar. Asegúrese siempre de que tiene un equilibrio seguro.
- No corte nunca por encima de la altura de los hombros (17).
- Nunca se suba a una escalera para cortar (17).
- Nunca utilice el cortador mientras esté en un andamio.
- No se incline demasiado lejos cuando trabaje. Cuando deje y recoja el cortador, no se incline desde la cintura, en su lugar, doble las rodillas. Proteja su espalda.
- Guíe el cortador de forma que ninguna parte de su cuerpo esté en el intervalo ampliado de oscilación del disco (18).
- Utilice discos de corte únicamente en materiales para los que han sido diseñados.
- No utilice el cortador para levantar y apartar fragmentos de material y otros objetos.

**¡Importante!** Antes de cortar, retire todos los objetos extraños, como rocas, grava, clavos, etc. del área de corte. De lo contrario, esos objetos pueden salir despedidos por el disco a gran velocidad. **¡Riesgo de lesiones!**

- Cuando corte piezas de trabajo a una longitud, utilice un soporte firme. Si es necesario, fije la pieza de trabajo para que no resbale, pero no la inmovilice con el pie o permitiendo que otra persona la sujete.
- Cuando corte elementos redondeados, fíjelos siempre para que no giren.
- Cuando guíe el cortador a mano, utilice la posición de montaje lateral del accesorio de corte sólo cuando sea realmente necesario. De lo contrario, utilice siempre la posición central. Esto proporciona a la unidad un mejor equilibrio y se reduce la fatiga del operario.





## Corte de metales

### ⚠ ¡IMPORTANTE!

Utilice siempre una protección respiratoria homologada.

Los materiales que liberan sustancias tóxicas solamente se pueden cortar tras notificarlo a las autoridades competentes y bajo su supervisión o bajo la supervisión de la persona que designen.

### ⚠ PRECAUCIÓN:

El rápido giro del disco de corte calienta el metal y lo derrite en el punto de contacto. Baje la protección lo máximo posible detrás del corte (19) para dirigir el flujo de chispas hacia abajo, lejos del operario (riesgo de incendio).

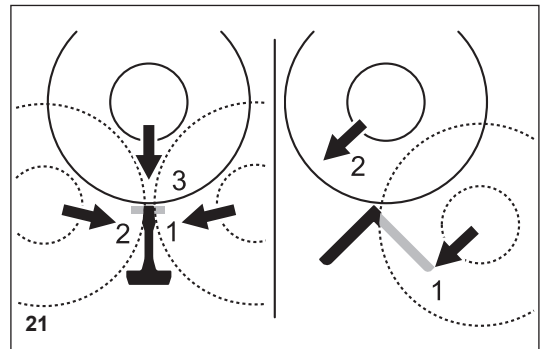
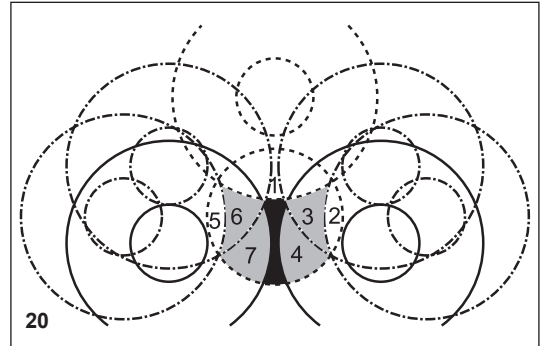
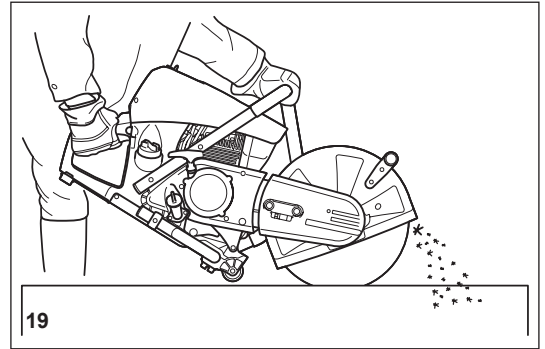
- Determine la dirección de corte, marque el corte y aplique el disco al material a una velocidad moderada, para cortar una ranura de guía antes de pasar a la velocidad máxima y aplicar más presión al cortador.
  - Mantenga el disco recto y vertical. No lo incline, ya que se rompería.
  - La mejor forma de obtener un buen corte limpio es tirar del cortador o moverlo hacia atrás y adelante. No se limite a presionar el disco sobre el material.
  - Los materiales gruesos y redondeados se cortan mejor por fases (20).
  - Las tuberías y los tubos finos se pueden cortar con un simple corte hacia abajo.
  - Corte tubos de gran diámetro como el material redondeado. Para impedir la inclinación y lograr un mejor control, no deje que el disco se hunda demasiado en el material. En su lugar, realice siempre cortes poco profundos alrededor de toda la pieza.
  - Los discos gastados tienen un diámetro más pequeño que los discos nuevos, así que a la misma velocidad del motor tendrán una velocidad de circunferencia efectiva más baja y por lo tanto no cortarán tan bien.
  - Corte vigas en I y barras en L por pasos; consulte la Figura 21.
  - Corte bandas y placas como los tubos: por el lado ancho con un corte largo.
  - Cuando corte material bajo tensión (material apoyado o material en estructuras), realice siempre una muesca en el lado de empuje (presión) y después corte desde el lado de tensión, de forma que el disco no se quede bloqueado.
- ¡Asegure el material cortado para evitar que caiga!**

### ⚠ PRECAUCIÓN:

Si existe la posibilidad de que el material esté bajo tensión, prepárese para un contragolpe. Asegúrese de que puede apartarse si es necesario.

Tenga especial cuidado en chatarrerías, vertederos, en lugares de accidentes y con montones desordenados de material. Las piezas en un equilibrio precario o bajo tensión pueden comportarse de formas impredecibles y pueden resbalar, salir despedidas o romperse. Asegure el material cortado para evitar que caiga. Actúe siempre con la máxima precaución y utilice solamente equipo que esté en perfecto estado de funcionamiento.

Respete las normativas y las normas de prevención de accidentes de su empleador o de la organización de aseguradora.



## Corte de mampostería y hormigón

### ¡IMPORTANTE!

Utilice siempre una protección respiratoria homologada.

El amianto y otros materiales que liberan sustancias tóxicas solamente se pueden cortar tras notificarlo a las autoridades competentes y bajo su supervisión o bajo la supervisión de la persona que designen. Cuando corte hormigón pretensado y reforzado, siga las instrucciones y los estándares de las autoridades responsables o del constructor del elemento estructural. Las varillas de refuerzo se deben cortar en la secuencia prescrita y de acuerdo con las normativas de seguridad aplicables.

### NOTA:

El mortero, la piedra y el hormigón producen grandes cantidades de polvo durante el corte. Para aumentar la vida útil del disco de corte (refrigerándolo), para mejorar la visibilidad y evitar una excesiva creación de polvo, se recomienda el corte en mojado en lugar del corte en seco.

En el corte en mojado, el disco se moja por igual en ambos lados mediante un hilo de agua. MAKITA ofrece los accesorios adecuados para todas las aplicaciones de corte en mojado (consulte también "ACCESORIOS ESPECIALES").

- Retire objetos extraños como tierra, piedras y clavos en el área de trabajo.

**PRECAUCIÓN: Tenga cuidado con cables y cables eléctricos.**

**El giro rápido del disco de corte en el punto de contacto saca fragmentos de la ranura de corte a alta velocidad. Por su seguridad, deslice la cubierta de protección hacia abajo lo máximo posible detrás del corte (23), de forma que los materiales salgan despedidos hacia delante, lejos del operario.**

- Marque el corte y después realice una ranura unos 5 mm (justo debajo de 1/5") a lo largo de la longitud del corte planificado. Esta ranura guiará el cortador de forma precisa durante el corte real.

**NOTA:**

Para cortes rectos y largos, recomendamos usar un carro (24, consulte también "ACCESORIOS ESPECIALES"). Esto hace que sea mucho más fácil guiar la unidad recta.

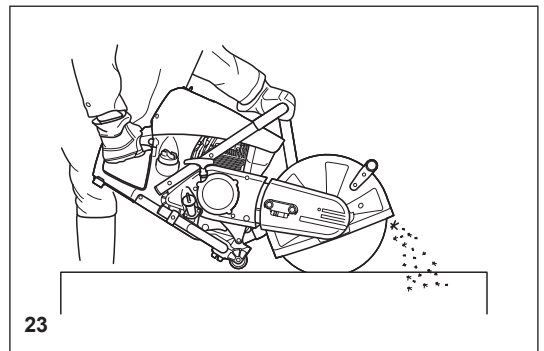
- Realice el corte con un movimiento uniforme hacia atrás y hacia delante.
- Cuando corte losas a un tamaño, no es necesario cortar a través de todo el grosor del material (creando polvo innecesario). En su lugar, solamente debe realizar una ranura poco profunda y después desprender el exceso de material limpiamente sobre una superficie plana (25).

**¡CUIDADO!**

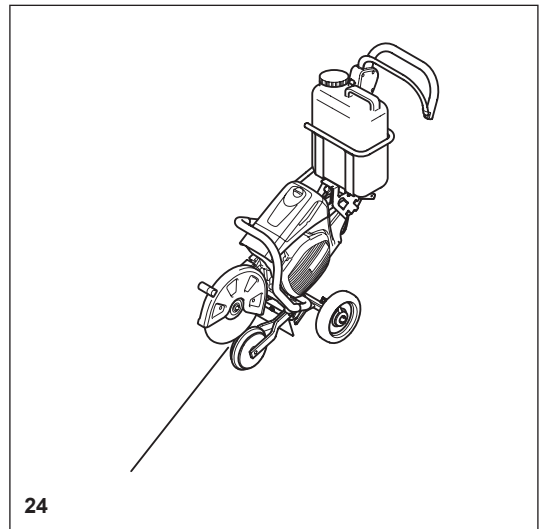
Cuando corte longitudinalmente, realice cortes de material, realice recortes, etc. asegúrese siempre de planificar la dirección y la secuencia de cortes de forma que el disco no se atasque con la pieza de corte y que no haya personas que puedan sufrir lesiones de piezas que caen.

**Transporte y almacenamiento**

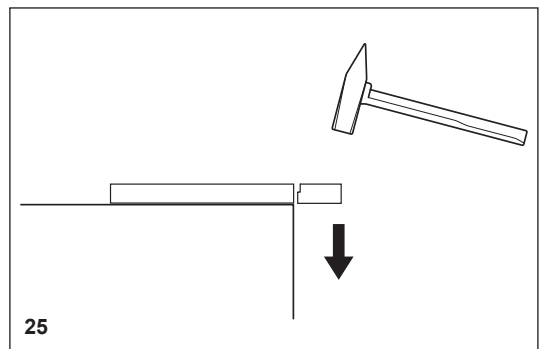
- **Apague siempre el cortador cuando lo transporte o lo mueva de un lugar a otro en un emplazamiento (26).**
- **Nunca transporte o mueva la unidad con el motor encendido o el disco en movimiento.**
- Transporte la unidad únicamente por la empuñadura modular (central) con el disco de corte apuntando detrás de usted (26). No toque el silenciador de escape (riesgo de quemaduras).
- Cuando mueva el cortador en distancias largas, utilice una carretilla o un carro.
- Cuando transporte el cortador en un vehículo, asegúrese de que esté correctamente posicionado de forma que no pueda haber fugas de combustible. Retire siempre el disco de corte antes de transportar la unidad en un vehículo.
- El cortador debe almacenarse de forma segura en un lugar seco. No se debe dejar a la intemperie. Desmonte siempre el disco de corte antes del almacenamiento. Mantenga el cortador alejado de los niños.
- **Antes del almacenamiento a largo plazo y antes de transportar el cortador, siga las instrucciones del capítulo referente al "Almacenamiento". Vacíe SIEMPRE el depósito de combustible y deje la herramienta en funcionamiento hasta que se vacíe el carburador.**
- Cuando almacene los discos de corte tenga en cuidado de realizar las siguientes acciones:
  - Limpiarlos y secarlos bien.
  - Almacenarlos en posición horizontal.
  - Evitar la humedad, las temperaturas bajo cero, la luz directa del sol, las altas temperaturas y las fluctuaciones de temperatura, ya que pueden provocar roturas y astillados.
- **Compruebe siempre los nuevos discos de corte o los discos de corte que han estado almacenados para asegurarse de que no tienen defectos.**



23



24



25



26

## Mantenimiento

- **Antes de realizar trabajos de mantenimiento, apague el cortador (27) y desenchufe el capuchón de la bujía.**
- Compruebe siempre el cortador antes de utilizarlo para asegurarse de que esté en buen estado de funcionamiento. En concreto, asegúrese de que el disco de corte se haya montado correctamente. Asegúrese de que el disco de corte no esté dañado y que sea adecuado para el trabajo para el que se utilizará.
- Utilice el cortador solamente con un nivel de emisiones y de ruido bajo. Para ello, asegúrese de que el carburador se haya ajustado correctamente.
- Limpie el cortador periódicamente.
- Compruebe periódicamente si la tapa del depósito de combustible ofrece un buen sellado.

**Respete las instrucciones de prevención de accidentes emitidas por las compañías de seguros y las asociaciones comerciales. NUNCA realice ninguna modificación en el cortador. Solamente pondrá su vida en riesgo.** Realice solamente los trabajos de reparación y mantenimiento descritos en el manual de instrucciones. Cualquier otro trabajo debe ser realizado por el servicio técnico de MAKITA (28).

Utilice solamente accesorios y recambios originales de MAKITA.

El uso de repuestos, accesorios o discos de corte que no sean de MAKITA aumenta el riesgo de accidente. No podemos aceptar ninguna responsabilidad por accidentes o daños que se produzcan en asociación con el uso de discos de corte o accesorios que no sean originales de MAKITA.



27



REPARACIÓN

28

## Primeros auxilios (29)

Asegúrese de que siempre haya disponible cerca un kit de primeros auxilios. Reponga inmediatamente cualquier artículo que tome del botiquín de primeros auxilios.

**Cuando solicite ayuda, proporcione la siguiente información:**

- Lugar del accidente
- Qué ha ocurrido
- Número de personas heridas
- Tipo de lesiones
- Su nombre

### NOTA:

Las personas con problemas circulatorios que están expuestas a vibraciones excesivas pueden sufrir lesiones en los vasos sanguíneos o en el sistema nervioso. La vibración puede provocar los siguientes síntomas en los dedos, manos o muñecas: "adormecimiento", hormigueo, dolor, sensación punzante, alteración del color de la piel o de la piel.

**Si sufre alguno de estos síntomas, acuda a un médico.**



29

## Datos técnicos

Elemento		Modelo	EK7650H		EK7651H	
Motor	Desplazamiento	cm <sup>3</sup>	75,6			
	Diámetro del cilindro	mm	51			
	Carrera	mm	37			
	Potencia máx.	kW	3,0			
	Par máx.	Nm	4,6			
	Velocidad de ralentí	min <sup>-1</sup>	2.600			
	Embrague		Sistema autocentrífugo			
	Limitación de velocidad del motor	min <sup>-1</sup>	9.100			
	Velocidad máx. del eje	min <sup>-1</sup>	4.300			
	Carburador		Tipo de diafragma			
	Sistema de encendido (con limitación de velocidad)		Sin contacto, tipo magnético			
	Bujía	Tipo	NGK CMR6H			
	Separación entre electrodos	mm	0,5			
	Sistema de encendido		Sistema retráctil			
	Consumo de combustible a carga máx. de acuerdo con ISO 8893	kg/h	1,2			
	Consumo específico a carga máx. de acuerdo con ISO 8893	g/kwh	400			
	Combustible		Gasolina de automoción (petróleo)			
	Capacidad del depósito de combustible	l	1,1			
	Lubricante (aceite para motor)		Aceite de grado API, clase SF o superior SAE 10W-30 (aceite para motor de automoción de 4 tiempos)			
Cantidad de lubricante	l	0,22				
Disco de corte para 80 m/s o más <sup>1)</sup> (Aprobado por DSA): dimensiones	mm	300 / 20 / 5 <sup>2)</sup>	300 / 25,4 / 5 <sup>2)</sup>	350 / 20 / 5 <sup>2)</sup>	350 / 25,4 / 5 <sup>2)</sup>	
Nivel de presión de sonido (L <sub>pA</sub> ) de acuerdo con EN ISO 19432 <sup>3)</sup>	dB (A)	92,7				
Incertidumbre (K)	dB (A)	2,5				
Nivel de potencia de sonido (L <sub>WA</sub> ) de acuerdo con EN ISO 19432	dB (A)	104,6				
Incertidumbre (K)	dB (A)	2,5				
Aceleración de vibración a <sub>h,w</sub> de acuerdo con EN ISO 19432						
- Empuñadura delantera (ralentí/velocidad del eje nominal)	m/s <sup>2</sup>	2,7				
Incertidumbre (K)	m/s <sup>2</sup>	2,0				
- Empuñadura posterior (ralentí/velocidad del eje nominal)	m/s <sup>2</sup>	1,8				
Incertidumbre (K)	m/s <sup>2</sup>	2,0				
Diámetro del eje	mm	20,0	25,4	20,0	25,4	
Diámetro del husillo	mm	17		17 o 25,4 <sup>4)</sup>		
Diámetro exterior mínimo de la brida	mm	102				
Profundidad de corte máxima	mm	97		122		
Dimensiones del cortador (longitud global x ancho global x alto global)		761 mm x 310 mm x 435 mm		780 mm x 310 mm x 455 mm		
Nº de correa en V	Nº	225094-6				
Peso global (depósitos vacíos, sin disco de corte)	kg	12,7		12,9		

1) Velocidad periférica con la velocidad del motor máx.

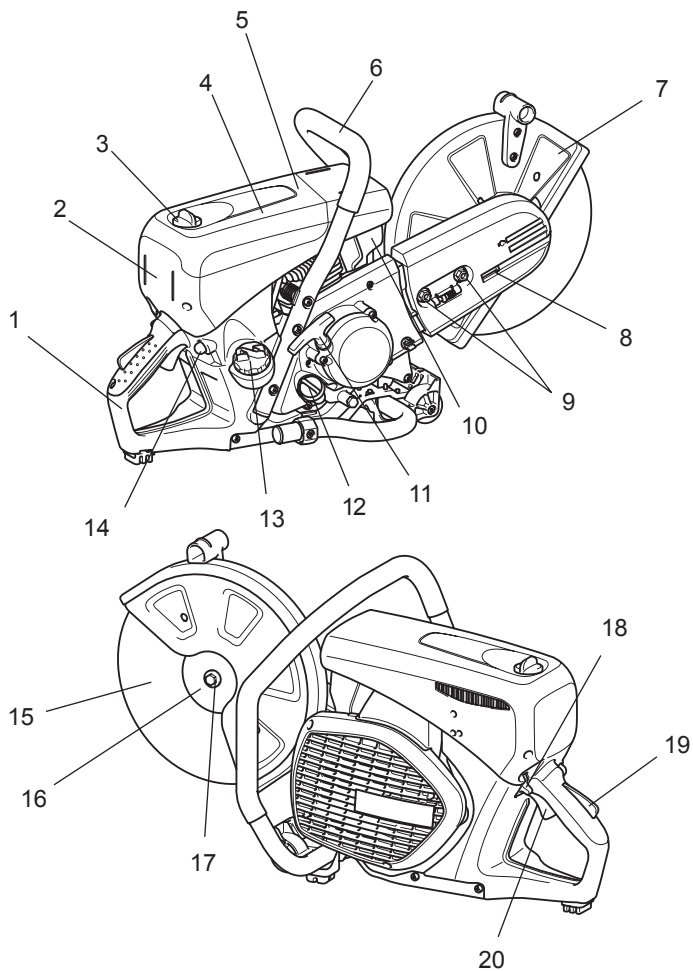
2) Diámetro exterior / Orificio del eje / grosor

3) En el lugar del trabajo (en el oído del usuario)

4) Específico de cada país

## Denominación de los componentes

1. Empuñadura posterior
2. Cubierta del filtro
3. Tornillo de bloqueo
4. Cubierta superior para el filtro de aire y el capuchón de la bujía
5. Cubierta superior
6. Empuñadura delantera
7. Cubierta de protección
8. Tornillo de tensado
9. Tuerca hexagonal
10. Silenciador
11. Empuñadura de arranque
12. Tapa del depósito de aceite
13. Tapa del depósito de combustible
14. Bomba de combustible (cebador)
15. Disco de corte
16. Brida exterior
17. Perno hexagonal
18. Interruptor
19. Botón de bloqueo de seguridad
20. Palanca de la mariposa de gases





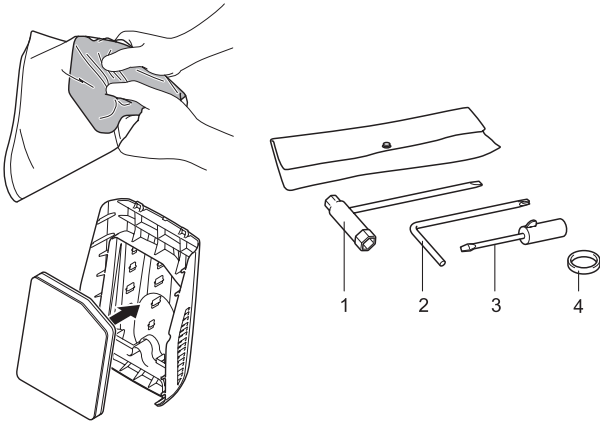
## INICIO DE LAS OPERACIONES

### ⚠ PRECAUCIÓN:

Apague siempre el motor y retire el capuchón de la bujía antes de realizar un trabajo en el cortador. Utilice siempre guantes de protección.

### ⚠ PRECAUCIÓN:

Ponga en marcha el cortador solamente después de completar el ensamblado y realizar una inspección.



Para el siguiente trabajo, utilice las herramientas de montaje que se incluyen con la entrega del producto:

1. Llave combinada 13/16 AF
2. Llave de estrella
3. Destornillador para el ajuste del carburador
4. Anillo adaptador

Coloque el cortador sobre una superficie estable y siga estos pasos de montaje:

### ⚠ No hay ningún filtro de aire instalado.

Antes de las operaciones, apriete el filtro de aire varias veces para que el aceite empape de forma uniforme todo el filtro. Inserte un filtro de espuma impregnado de aceite (filtro previo), tal y como se muestra en la ilustración adyacente. Para ello, retire la cubierta del filtro (consulte el capítulo acerca de Limpieza/cambio del filtro de aire).

## Montaje del disco de corte

### ⚠ ADVERTENCIA:

- Cuando instale un disco de corte de diamante, asegúrese de montarlo de forma que la flecha esté en la misma dirección de giro que la brida exterior (6). Si el disco de corte de diamante (4) se monta con la dirección de flecha opuesta a la de la cubierta del disco, se puede provocar un astillado del borde del disco y se pueden provocar lesiones personales.
- Cuando instale un disco de corte (4), utilice siempre el anillo que coincide con el orificio del disco de corte y el diámetro del husillo (5). Si no se utilizan los anillos apropiados, se pueden provocar vibraciones de la herramienta, lo que puede ocasionar graves lesiones personales.
- Utilice solamente discos de corte con el orificio que concuerde con el diámetro de los anillos proporcionados. Si no se utilizan discos que coincidan, se pueden provocar vibraciones de la herramienta, lo que puede ocasionar graves lesiones personales.
- Inspeccione un disco de corte para ver si hay daños. (consulte la sección titulada "Discos de corte" en PRECAUCIONES DE SEGURIDAD.)

1. Inserte la llave de estrella (2) en el orificio (8) para evitar que el husillo (5) gire.

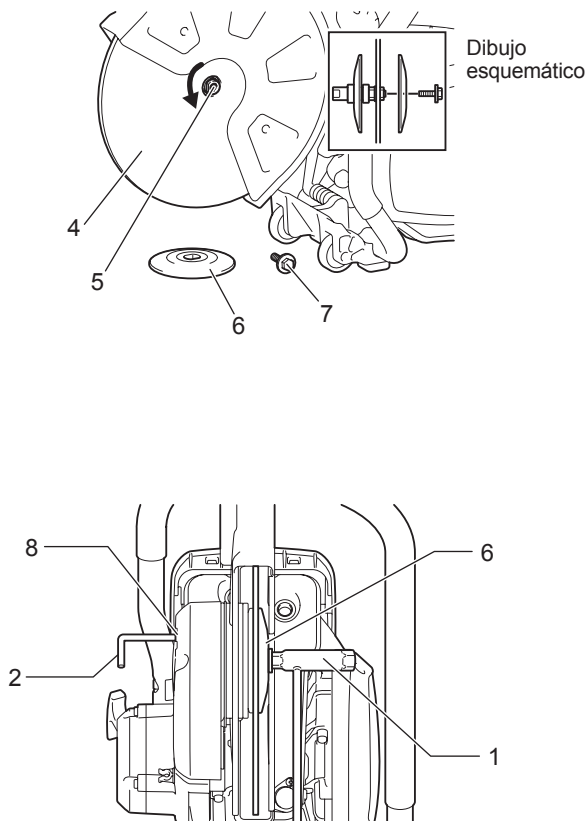
**NOTA:** Si el soporte del sistema de agua a presión está instalado en el orificio en la herramienta, retírelo antes de montar el disco de corte.

2. Mientras sujeta la llave (2) en esa posición, utilice la llave combinada (1) proporcionada y gire el perno (7) que fija el disco en el sentido contrario a las agujas del reloj y retire el perno (7) y la brida exterior (6).
3. Monte un disco de corte de diamante/disco abrasivo de corte (4) en el eje (5). A continuación, coloque la brida exterior (6) en el husillo de forma que las dos superficies planas paralelas de la brida exterior encajen en la superficie plana del husillo y apriete firmemente el perno en el sentido de las agujas del reloj.

Para instalar un disco de corte, monte un anillo con el mismo diámetro que el orificio del disco y la junta tórica proporcionada para retener el anillo en el husillo antes de instalar un disco de corte de diamante.

A continuación, instale el disco de corte.

**NOTA:** Apriete el perno hexagonal firmemente (25 - 31 Nm), ya que de otra manera el disco de corte puede resbalar durante el corte.



## Tensar la correa en V / comprobar el tensado de la correa en V

### IMPORTANTE

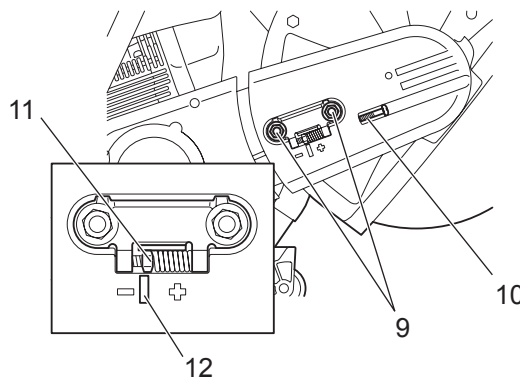
Un tensado exacto de la correa en V es esencial para el máximo rendimiento de corte con un consumo mínimo de combustible. Un tensado incorrecto de la correa en V tendrá como resultado un desgaste prematuro de la correa en V y la polea de la correa en V o daños en el cojinete del embrague.



**NOTA:** Se deben aflojar las dos tuercas hexagonales (9) antes de apretar la correa en V o comprobar el tensado.

Para tensar la correa, gire el tornillo de tensado (10) hacia la derecha (en el sentido de las agujas del reloj) con la llave combinada incluida con el cortador.

El tensado de la correa está correctamente ajustado cuando la tuerca (11) se encuentra en la posición que se muestra en la figura, en comparación con la posición de la marca (12).



### IMPORTANTE

- Tras el apriete o la inspección, asegúrese de apretar la tuerca hexagonal (9) (25 - 31 Nm).
- No ajuste el tensado de la correa mientras la máquina esté caliente. Existe un riesgo de lesiones por quemaduras.

## Antes del uso

### 1. Compruebe/rellene el aceite de motor

- Con el motor en frío, compruebe/rellene el aceite del motor de la siguiente manera.
  - Coloque el motor sobre una superficie nivelada plana y compruebe si el aceite está en el intervalo entre MAX y MIN del depósito de aceite.
  - Si el nivel de aceite es insuficiente (cerca de la marca MIN del depósito de aceite), rellene el depósito de aceite con aceite hasta la marca MAX.
  - La cantidad de aceite se puede comprobar externamente sin retirar la tapa de aceite, ya que el aceite se puede ver en la ventana transparente con marcas de medición externas.
  - Como referencia, el aceite debe rellenarse cada diez horas de funcionamiento (un depósito de aceite para cada diez repostajes).
  - Sustituya el aceite extremadamente sucio o decolorado.
- <Aceite recomendado> .... Utilice aceite de grado API, clase SF o superior SAE 10W-30 (aceite para motor de automoción de 4 tiempos).
- <Cantidad de aceite> ..... 0,22 L (220 mL)

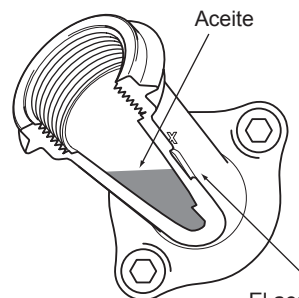
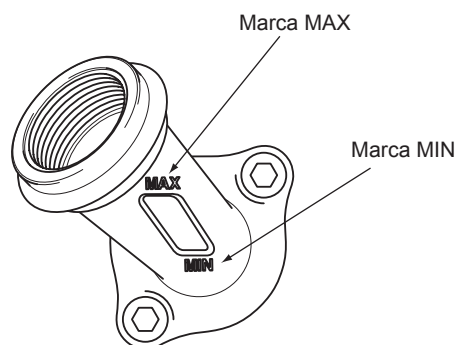
### NOTA:

- Si el motor no se almacena en posición vertical, el aceite circulará por el motor, lo que significa que habrá un exceso de aceite en el cortador cuando se rellene.
- Si el aceite excede la marca MAX, puede gotear y causar suciedad o humo blanco.

### Punto 1 de sustitución de aceite <Tapa de aceite>

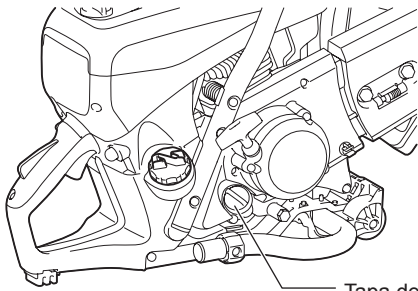
Intervalo de sustitución: Inicialmente, cada 20 horas de funcionamiento y posteriormente cada 30 horas de funcionamiento.

- Limpie la suciedad alrededor del cuello de relleno y, a continuación, retire la tapa del aceite.
- Coloque la tapa del aceite en una superficie en la que no acumule suciedad y arenilla. Si la tapa se vuelve a colocar estando sucia, la circulación del aceite se puede deteriorar y las partes del motor se pueden gastar, lo que puede provocar un fallo mecánico.

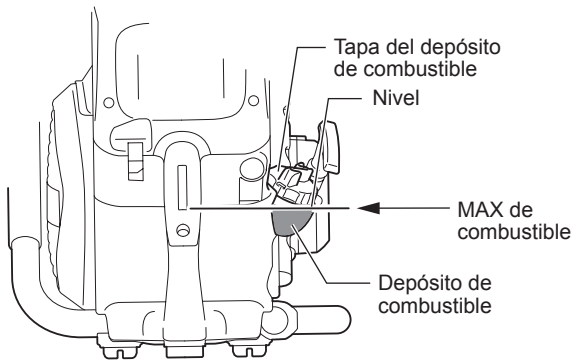
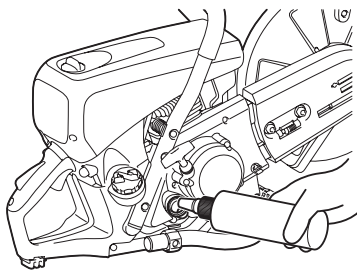


El aceite es visible desde aquí, por lo que las marcas MAX y MIN se pueden usar para comprobar la cantidad de aceite.





Tapa del depósito de aceite



- (1) Coloque el motor en una superficie plana y retire la tapa del aceite.
- (2) Rellene el aceite hasta la base del cuello de relleno de aceite.  
Cuando rellene el aceite, utilice un contenedor de lubricante adecuado para rellenar.
- (3) Apriete firmemente la tapa del aceite. Si la tapa del aceite está floja, puede haber fugas de aceite.

**Punto 2 de sustitución del aceite <Qué hacer si se derrama aceite>**

Si se derrama aceite entre el depósito de combustible y el motor y se utiliza el cortador, el aceite puede introducirse en la herramienta a través de la entrada de aire frío, lo que puede hacer que se ensucie. Limpie siempre el aceite derramado antes de utilizar el cortador.

**2. Repostaje**

**⚠ ADVERTENCIA:**

- **Siga siempre estas instrucciones cuando reposte. De lo contrario se pueden producir llamas o un incendio.**
  - Reposte alejado de las llamas. Asimismo, nunca fume ni acerque ningún tipo de llama cerca del combustible o del cortador durante el repostaje.
  - Detenga el motor y deje que se enfríe antes del repostaje.
  - Abra siempre la tapa del depósito de combustible lentamente para liberar la presión interna de forma controlada. En caso contrario el combustible puede pulverizarse a causa de la presión interna.
  - Tenga cuidado de no derramar combustible. Si se derrama combustible, límpielo completamente.
  - Reposte en una ubicación bien ventilada.
- **Maneje siempre el combustible con el máximo cuidado.**
  - Si el combustible entra en contacto con la piel y/o los ojos, puede provocar una reacción alérgica y/o inflamación. En caso de que se produzca una reacción alérgica y/o inflamación, etc. consulte con un médico inmediatamente.

**<Período de almacenamiento del combustible>**

Como norma, el combustible almacenado en un contenedor para combustible adecuado, en una ubicación a la sombra, con buena ventilación, se debe usar antes de que transcurran cuatro semanas. Si no se utiliza un contenedor de combustible apropiado y/o la tapa no se ha colocado, etc. y es verano, el combustible se puede deteriorar en un día.

**Almacenamiento del cortador y del contenedor de combustible**

- Almacene el cortador y el contenedor del combustible alejados de la luz directa del sol en una ubicación fresca.
- No deje el cortador con el depósito de combustible lleno o el contenedor de combustible en un automóvil o en el maletero de un automóvil.

**<Combustible>**

El motor es un motor de cuatro tiempos, por lo que se debe utilizar gasolina de automoción (gasolina normal) para hacer funcionar el motor.

**Consideraciones sobre el combustible**

- No utilice una mezcla de gasolina (aceite de motor mezclado con gasolina). Si lo hace, se puede acumular carbonilla y se puede producir un fallo mecánico.
- El uso de combustible antiguo puede causar una mala puesta en marcha del motor.

**<Repostaje>**

Detenga siempre el motor y deje que se enfríe antes del repostaje.

**<Gasolina que se puede utilizar>** ..... Gasolina de automoción (petróleo)

- Afloje ligeramente la tapa del depósito de combustible para liberar la presión e igualar la presión de aire interna y externa.
- Retire la tapa del depósito de combustible y reposte. (No rellene por encima del cuello del depósito.)
- Tras repostar, apriete firmemente la tapa del depósito de combustible.
- La tapa del depósito de combustible es un producto de consumo. Por lo tanto, si muestra desgaste u otras anomalías, sustitúyalo. (Una guía general para la sustitución es hacerlo cada dos o tres años.)

# Operaciones

## Arranque

### ⚠ ADVERTENCIA:

No ponga en marcha el motor en ubicaciones en las que se haya repostado. Aléjese como mínimo tres metros del lugar en el que se repostó el cortador.

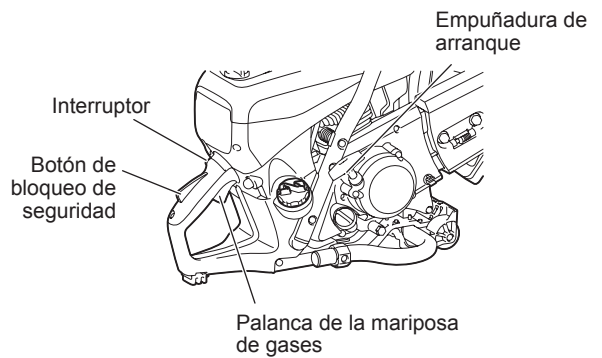
- De lo contrario se pueden producir llamas o un incendio.

### ⚠ PRECAUCIÓN:

Antes de poner en marcha el motor, asegúrese de que el disco de corte no toque el suelo ni ningún otro obstáculo.

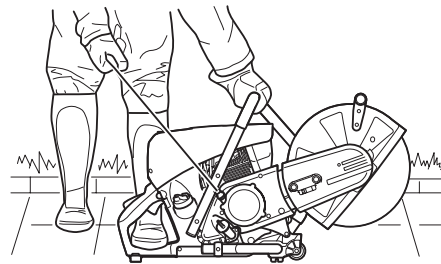
- Si el disco de corte está tocando el suelo u otro obstáculo, puede causar un accidente.

En cuanto el motor se ponga en marcha, el disco de corte girará, por lo que debe tener cuidado con los obstáculos o las personas cercanas.



### 1. Arranque en frío

- (1) Pulse repetidamente el cebador hasta que entre combustible en él.
- (2) Tire del interruptor en la dirección de (estrangulador).
- (3) Mantenga presionada la empuñadura trasera con un pie y sujete firmemente la empuñadura tubular con una mano.
- (4) Tire vigorosamente de la empuñadura de arranque de forma repetida hasta que se oiga el primer sonido de puesta en marcha.



### Calentamiento

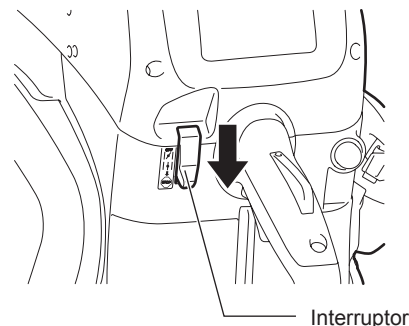
- Cuando el motor se haya puesto en marcha, mantenga presionada la palanca de seguridad y apriete y suelte la palanca de gases repetidamente durante uno o dos minutos para que el motor se caliente.
- Cuando la velocidad del motor se haya estabilizado y se revolucione suavemente de una velocidad baja a una velocidad alta, se habrá completado el calentamiento.

### 2. Puesta en marcha cuando el motor está caliente

Presione la bomba de cebado varias veces. Desde el principio, coloque el interruptor en la posición (funcionamiento) y ponga en marcha el motor realizando la tarea (3) del procedimiento 1 descrito anteriormente.

### NOTA:

- Si tira de la empuñadura de arranque y la suelta repetidamente con el interruptor ajustado en estrangulamiento, el motor se inundará de combustible, lo que dificultará su encendido.
- Cuando el motor se detenga, nunca apriete la palanca de la mariposa de gases. Si se aprieta innecesariamente la palanca de la mariposa de gases con el motor deteniéndose, se inundará el motor con combustible, lo que dificultará que se ponga en marcha.
- Si el motor se inunda con combustible, retire la bujía y tire lentamente de la empuñadura de arranque varias veces para eliminar el exceso de combustible. Asimismo, seque la sección del electrodo de la bujía.
- No tire de la empuñadura de arranque hasta el límite de la cuerda, ya que se acortará la vida útil de la cuerda. Devuelva suavemente la empuñadura de arranque sin soltarla bruscamente.
- No deje el cortador funcionando a la velocidad máxima en vacío, ya que se acortará la vida útil del motor.



### 3. Detención

Para detener el motor, suelte la palanca de gases y establezca el interruptor en la posición (detención).

Si la palanca del estrangulador se mueve de forma errónea a la posición para detener la herramienta, utilice la palanca de la mariposa de gases a la mitad para volver a ponerla en marcha.

## Ajuste del carburador

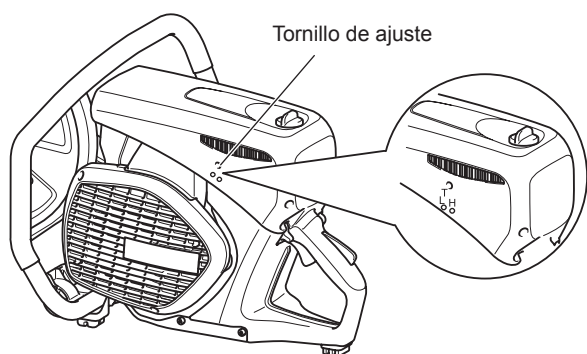
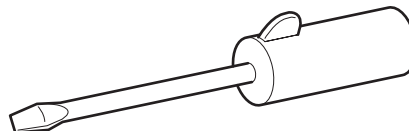


**NOTA:** Este motor está equipado con un encendido electrónico para limitar la velocidad. El carburador también tiene un chicle fijo que no se puede ajustar.

En fábrica, la velocidad al ralentí se ha ajustado a aprox.  $2.600 \text{ min}^{-1}$ , pero el proceso de rodaje de un motor nuevo puede requerir un ligero reajuste de la velocidad de ralentí.

Ajuste la velocidad de ralentí con un destornillador (ancho de la punta: 4 mm).

Un destornillador con un saliente moldeado, proporcionado como accesorio opcional, es útil para realizar el ajuste.



### 4. Ajuste del ralentí

**PRECAUCIÓN:** El ajuste del carburador solamente lo puede realizar un especialista en un centro de servicio MAKITA.

No realice ningún ajuste en los tornillos (H) y (L) sin un tacómetro! Un ajuste incorrecto puede provocar daños en el motor.

Se necesita un tacómetro para ajustar los tornillos (H) y (L), ya que si el motor funciona por encima de su velocidad nominal máxima, puede sobrecalentarse y se puede agotar el lubricante. Esto puede dañar el motor.

El usuario solamente puede manipular el tornillo de ajuste (T). Si el disco de corte se mueve al ralentí (es decir, sin que se presione la palanca de la mariposa de gases), es indispensable corregir la velocidad al ralentí.

El ajuste de la velocidad de ralentí solamente se puede realizar cuando el motor está caliente, con un filtro de aire limpio.

Utilice un destornillador (punta de 4 mm) para los ajustes de ralentí.

## MANTENIMIENTO

### PRECAUCIÓN:

- Antes de realizar cualquier tipo de trabajo en el cortador detenga el motor y deje que se enfríe, retire el disco de corte, extraiga el capuchón de la bujía y utilice guantes protectores.

La realización de tareas de mantenimiento directamente después de detener el motor o con el capuchón de la bujía conectado puede provocar quemaduras por el calor del motor o lesiones de una puesta en marcha inadvertida.

- Ponga en marcha el cortador solamente después de completar el ensamblado y realizar una inspección.
- Nunca utilice gasolina, benceno, disolvente, alcohol o un producto similar. Se puede provocar una decoloración, una deformación o grietas.

### NOTA:

- Limpie la suciedad del cortador y después seleccione un lugar de trabajo limpio para llevar a cabo el mantenimiento.





## REPARACIÓN

### IMPORTANTE:

Como muchas de las piezas y ensamblados no mencionados en este Manual de instrucciones son vitales para la seguridad de la unidad y como todas las piezas están sujetas a cierta cantidad de rotura y desgaste, es importante, por su propia seguridad, hacer que la unidad se compruebe y se realice el mantenimiento en un centro de servicio MAKITA.

### IMPORTANTE:

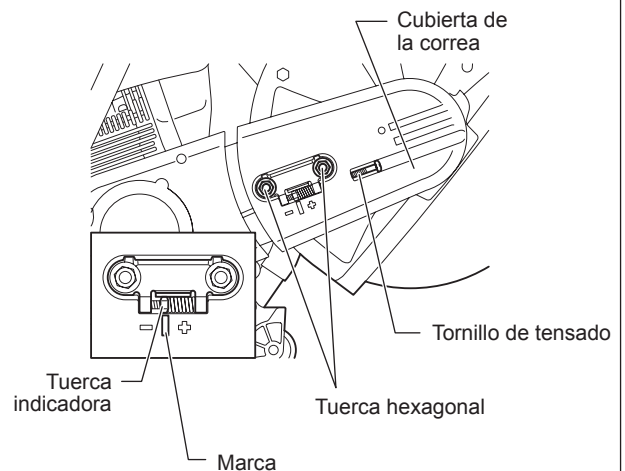


Si el disco de corte se rompe durante el corte, el cortador debe repararse en un centro de servicio MAKITA antes de que se vuelva a utilizar.

### Correa en V

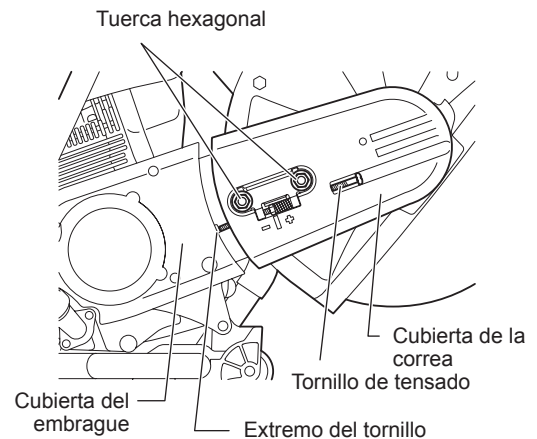
#### 1. Ajuste del tensado de la correa en V

- Si el disco de corte se detiene fácilmente a mitad de la operación, la correa en V se ha destensado. En ese caso, ajuste el tensado mediante el siguiente procedimiento.
  - (1) Afloje las tuercas de apriete de la cubierta de la correa.
  - (2) Gire el tornillo de ajuste de tensado hacia la derecha (en el sentido de las agujas del reloj) hasta que la tuerca indicadora alcance la posición marcada para aumentar el tensado de la correa en V.
  - (3) Cuando se haya completado el tensado de la correa en V, vuelva a apretar firmemente las tuercas de apriete de la cubierta de la correa.
- Si el disco de corte se detiene fácilmente aunque se haya ajustado el tensado de la correa en V, o si se rompe la correa en V, reemplácela con una correa en V.



#### 2. Cambio de la correa en V

- (1) Afloje la tuerca de apriete y gire el tornillo de ajuste de tensado hacia la izquierda hasta que sea visible el extremo del tornillo.
- (2) Retire las tuercas de apriete y después retire la cubierta de la correa.
- (3) A continuación, retire los tres tornillos de montaje y retire la cubierta del embrague.
- (4) Extraiga la cubierta en V antigua y monte una correa en V nueva. Ahora, vuelva a montar la cubierta del embrague seguida por la cubierta de la correa.
- (5) Ajuste el tensado como se muestra en la sección de Ajuste de tensado de la correa en V.



### Limpieza de la cubierta de protección

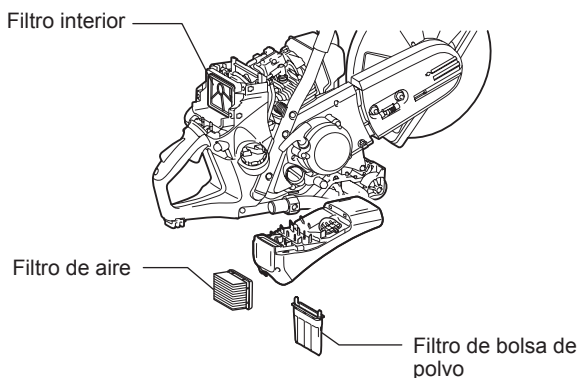
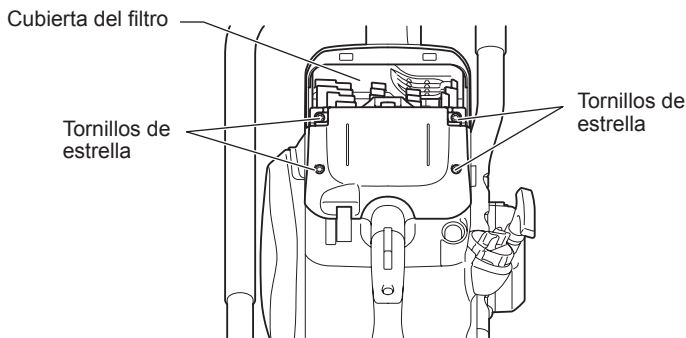
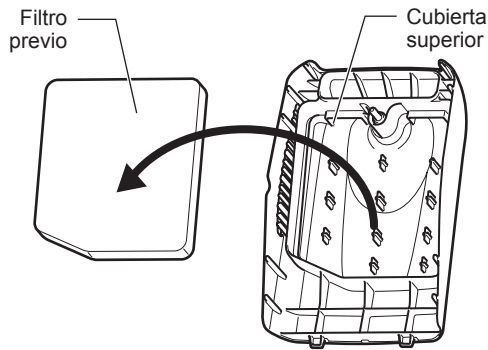
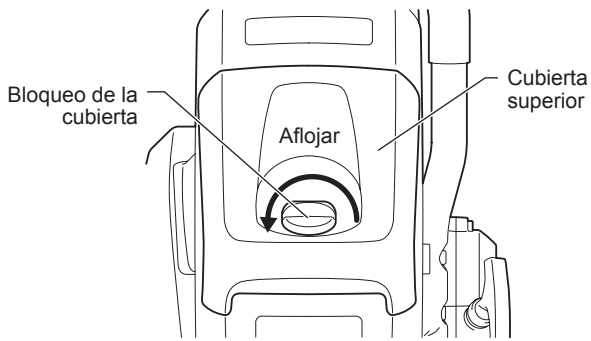
Con el paso del tiempo, el interior de la cubierta de protección se puede cubrir con residuos de materiales (especialmente de corte en mojado), que si se permite que se acumulen pueden dificultar el giro libre del disco de corte. Por este motivo se debe limpiar la cubierta periódicamente.

Retire el disco de corte y elimine el material acumulado del interior de la cubierta con una tira de madera o un elemento similar.

Limpie el eje y todas las piezas desmontadas con un paño.

**NOTA:** Para instalar el disco de corte, consulte “Montaje del disco de corte”.



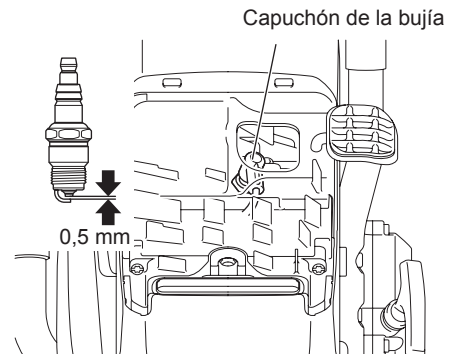
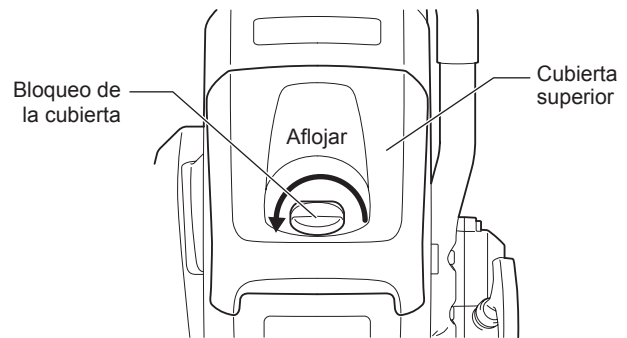


## Limpeza/cambio del filtro de aire

- Si el filtro de aire se obstruye, puede provocar un pobre rendimiento del motor. Por lo tanto, tras cada uso del cortador, asegúrese de limpiar el filtro de aire de la siguiente manera.
- Gire el bloqueo de la cubierta hacia la izquierda y retírelo.
- Retire la cubierta superior tras soplar el polvo.
- A continuación, retire el filtro previo.
- Retire los cuatro tornillos de estrella.
- Extraiga la cubierta del filtro.
- Extraiga el filtro de aire.
- Extraiga el filtro de bolsa de polvo de la cubierta del filtro y golpéelo y soplelo con cuidado para limpiarlo.
- Golpee suavemente y sople la parte interior del filtro para eliminar el polvo y la suciedad. Asimismo, lave periódicamente la parte interior del filtro con agua y soplelo metódicamente.
- Para limpiar el filtro de aire, golpéelo suavemente. Si se va a utilizar un compresor de aire, sople el aire comprimido por la parte interior del filtro de aire. No lave el filtro de aire.
- Sople la suciedad alrededor de los filtros.
- Vuelva a montar el filtro de aire en la cubierta del filtro cuando haya finalizado la limpieza.
- Apriete el bloqueo de la cubierta firmemente.

## Mantenimiento de la bujía

- (1) Afloje el bloqueo de la cubierta y retire la cubierta superior.
- (2) Abra la cubierta de la bujía, retire el capuchón de la bujía y extraiga la bujía.
- (3) Compruebe si la distancia entre los electrodos es de 0,5 mm. Si la distancia es demasiado grande o demasiado pequeña, ajústela a 0,5 mm.
- (4) Si se ha acumulado carbonilla o suciedad en la bujía, límpiela y vuelva a montarla. Una bujía quemada o con un desgaste excesivo debe sustituirse con una nueva.
- (5) Tras llevar a cabo el mantenimiento en la bujía, vuelva a montarla, acople el capuchón de la bujía y fije la cubierta de la bujía.



## Sustitución del cabezal de succión

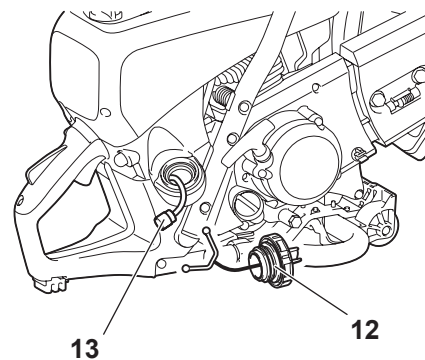
El filtro del depósito de combustible (13) del cabezal de succión se puede obstruir. Se recomienda sustituir el cabezal de succión una vez cada tres meses para garantizar un flujo de combustible libre de obstáculos hasta el carburador.

Desatornille la tapa del depósito de combustible (12) y extraiga el tope de prevención de pérdidas.

Vacíe el depósito de combustible.

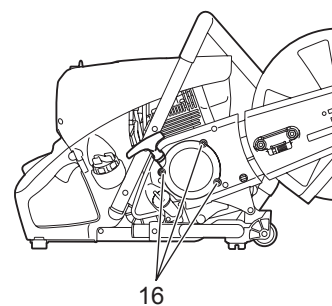
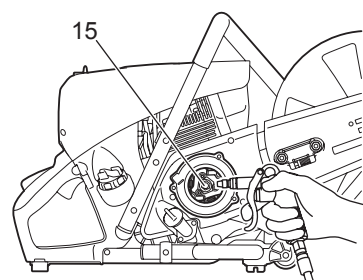
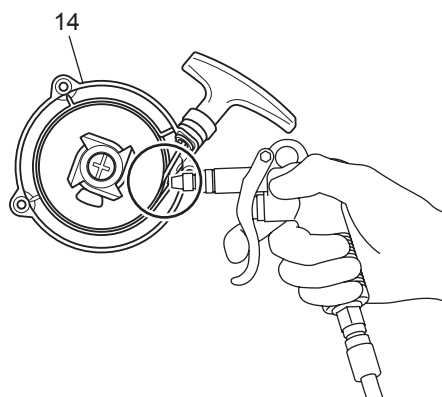
Para extraer el cabezal de succión para sustituirlo, tire de él para extraerlo a través del cuello de relleno del depósito usando un fragmento de cable doblado en un extremo para formar un gancho.

**⚠ PRECAUCIÓN:** No permita que el combustible entre en contacto con la piel.



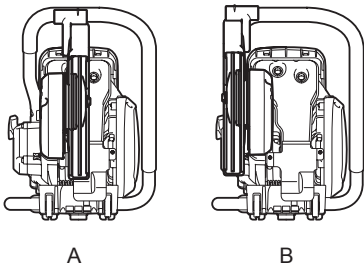
## Limpieza del arrancador

Cuando el arrancador no funcione bien, por ejemplo si la cuerda del arrancador no vuelve a su posición inicial, se tiene que soplar el polvo del arrancador (14) y del embrague (15). Para limpiar el arrancador y el embrague, retire tres tornillos (16) para el acceso.





Dirección de montaje



## Cambio de la posición del accesorio de corte (central/lateral)

### Dirección de montaje de la cubierta

- El accesorio de corte del cortador se monta en la dirección que se muestra en la Fig. A. Si lo desea, utilice este procedimiento para montarlo en la dirección que se muestra en la Fig. B.

### Montaje en la dirección B

- (1) Afloje la tuerca de apriete y gire el tornillo de ajuste de tensado hacia la izquierda hasta que sea visible el extremo del tornillo. (Fig. 1)
  - (2) Retire las tuercas de apriete y después retire la cubierta de la correa. (Fig. 1)
  - (3) Gire la cubierta hasta la posición de la línea discontinua. Retire la correa en V y después extraiga el accesorio de corte del cortador. Reposicione la empuñadura. (Fig. 2)
  - (4) Coja el eje de bloqueo con un destornillador para tornillos ranurados o unos alicates. (Fig. 3)
  - (5) Gire el brazo hasta que entre en contacto con la empuñadura y gire el eje de bloqueo hasta la posición original a mano. (Fig. 4)
  - Reposicione la empuñadura. (Fig. 5)
  - (6) Dé la vuelta al accesorio de corte extraído, pase el perno a través del orificio y vuelva a montarlo en la dirección B. Vuelva a montar la correa en V en la polea. (Fig. 6)
  - (7) Monte la cubierta de la correa. (Fig. 7)
- Gire el tornillo de ajuste de tensado para ajustar el tensado de la correa en V. Cuando haya acabado el ajuste del tensado, apriete firmemente la tuerca de apriete.

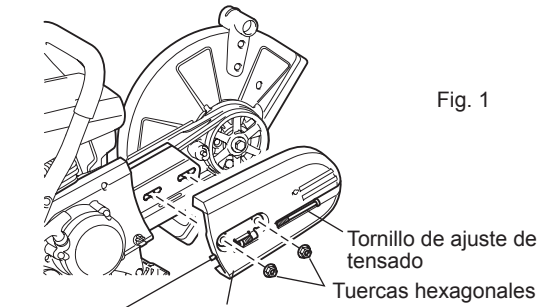


Fig. 1

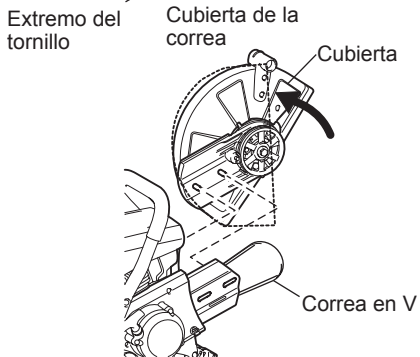


Fig. 2



Fig. 3

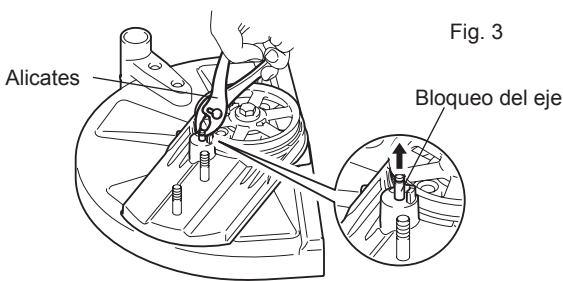


Fig. 4

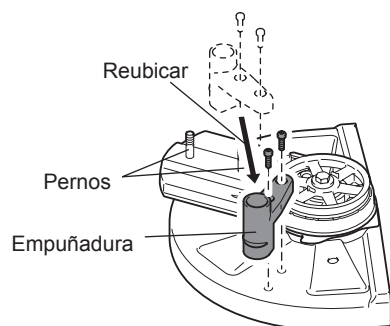
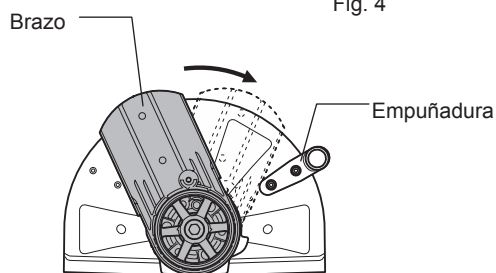


Fig. 5

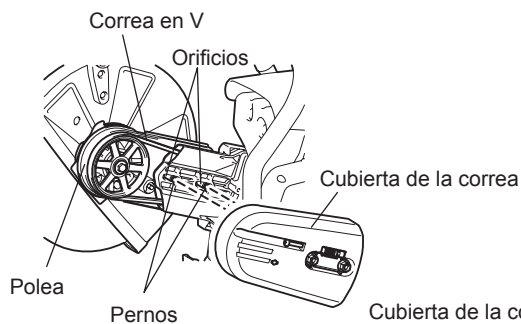
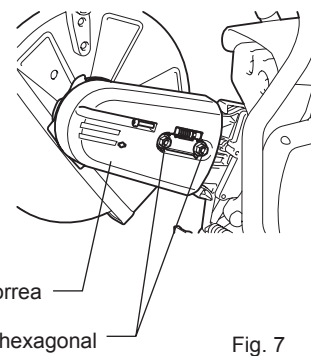


Fig. 6



Tuerca hexagonal

Fig. 7

## ACCESORIOS ESPECIALES

### Discos de corte de diamante

Los discos de corte de diamante de MAKITA cumplen con las más altas exigencias de seguridad en el trabajo, facilidad de uso y rendimiento de corte económico. Se pueden usar para cortar todo tipo de materiales **excepto metal**.

La alta durabilidad de los granos de diamante garantiza un bajo desgaste y, por lo tanto, una larga vida útil sin casi ningún cambio en el diámetro del disco durante la vida útil del disco. Esto proporciona un rendimiento de corte consistente y, por lo tanto, es más económico. Las excelentes calidades de corte de los discos facilitan el corte.

Las placas del disco de metal proporcionan un funcionamiento muy concéntrico para minimizar las vibraciones durante el uso.

El uso de discos de corte de diamante reduce el tiempo de corte significativamente.

Esto, a su vez, se traduce en costes de funcionamiento menores (consumo de combustible, desgaste de piezas, reparaciones y por último, pero no menos importante, daños al medioambiente).

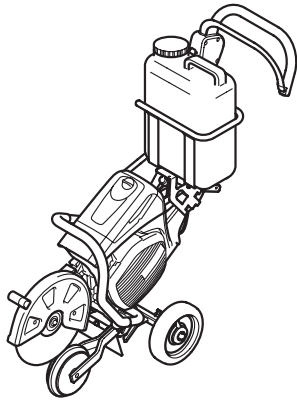
### Carro de guía

El carro de guía MAKITA facilita en gran medida los cortes rectos, a la vez que permite simultáneamente un trabajo sin cansancio. Se puede ajustar a la altura del operario y se puede utilizar con el accesorio de corte montando en el centro o en el lateral.

Se puede agregar un limitador de profundidad para lograr un corte aún más sencillo y preciso. Permite mantener una profundidad de corte predeterminada precisa.

Para reducir el polvo y refrigerar mejor el disco de corte, MAKITA ofrece varias opciones para humedecer el disco durante su uso.

- Conjunto de carro  
Es útil para cortes en carreteras
- Conjunto de filtro  
Filtro previo (5 filtros)  
Filtro de aire (1 filtro)  
Filtro de bolsa de polvo (1 filtro)



### Depósito de agua (parte del carro)

El depósito de agua se ha diseñado para su montaje en el carro de guía.

Su alta capacidad lo hace especialmente indicado para situaciones que implican cambios frecuentes de emplazamiento. Para rellenar o para cambiar rápidamente a depósitos de reservas, el depósito se puede extraer del carro.

El depósito de agua se proporciona con todas las conexiones y todos los tubos necesarios. El montaje del carro y el cortador es muy rápido y sencillo.

### Sistema de agua a presión/conexión a la red

El sistema de agua a presión/conexión a la red está diseñado para su montaje en el cortador. Se puede utilizar con o sin el carro, pero es especialmente indicado para aplicaciones que implican un corte manual y estático. La línea de agua tiene una conexión de liberación rápida y puede recibir alimentación de la red principal o de un depósito a presión (7).

El sistema de agua se proporciona con todas las conexiones y todas las líneas necesarias. Se puede montar rápida y fácilmente en el cortador.

## Tabla de mantenimiento

Tiempo de funcionamiento		Antes del uso	Tras el repostaje	Diariamente (10 h)	20 h	30 h	50 h	200 h	Antes del almacenamiento	P correspondiente
Elemento										
Aceite de motor	Inspeccione/ limpie	○								144
	Debe sustituirse					○*1				
Apriete de las piezas (perno, tuerca)	Inspeccione	○								—
Depósito de combustible	Limpie/ inspeccione	○								—
	Vacíe el combustible								○*3	139
Correa en V	Inspeccione/ ajuste	○								148
Palanca de la mariposa de gases	Compruebe el funcionamiento		○							—
Interruptor de parada	Compruebe el funcionamiento		○							146
Disco de corte	Inspeccione	○		○						136
Velocidad de ralentí	Inspeccione/ ajuste			○						147
Filtro de aire	Limpie						○			149
Filtro de bolsa de polvo	Limpie/ reemplace				○					149
Filtro previo	Limpie/ reemplace			○						149
Bujía	Inspeccione			○						150
Conducto de aire de refrigeración y aletas del cilindro	Limpie/ inspeccione			○						—
Tubo de combustible	Inspeccione			○						—
	Debe sustituirse							◎*2		—
Filtro de combustible	Limpie/ reemplace						○			150
Juego de las válvulas (válvula de entrada y válvula de escape)	Inspeccione/ ajuste							◎*2		—
Carburador	Vacíe el combustible								○*3	139

\*1 Realice el reemplazo inicial tras 20 horas de uso.

\*2 Para la inspección de las 200 horas de uso, contacte con un Agente de servicio autorizado o un taller mecánico.

\*3 Tras vaciar el depósito de combustible, siga haciendo funcionar el motor y drene el combustible del carburador.

## Localización de averías

Avería	Sistema	Observación	Causa
El disco de corte no empieza a girar	Embrague	El motor funciona	Embrague dañado
El motor no se enciende o lo hace con dificultad	Sistema de encendido	Chispa de encendido correcta No hay chispa de encendido	Avería en el sistema de suministro de combustible o compresión, defecto mecánico Se ha utilizado el interruptor de PARADA, avería del cableado o cortocircuito, bujía o conector defectuoso, módulo de encendido defectuoso
	Suministro de combustible	Depósito de combustible lleno	Posición incorrecta del estrangulador, carburador defectuoso, línea de suministro de combustible doblada o bloqueada, combustible sucio
	Sistema de compresión	No hay compresión	La junta de culata es defectuosa, los retenes del cigüeñal están dañados, el cilindro o los segmentos del pistón están dañados o el sellado de la bujía es incorrecto
	Avería mecánica	El arrancador no funciona	Muelle del arrancador roto, piezas rotas dentro del motor
	Embrague	La contaminación se adhiere al embrague y las piezas que lo rodean	Muelle trinquete contaminado y abierto, límpielo
Problemas de arranque en caliente	Carburador	Depósito lleno, se produce la chispa de encendido	Carburador contaminado, límpielo
El motor arranca pero se para inmediatamente	Suministro de combustible	Depósito lleno	Ajuste de ralentí incorrecto, cabezal de succión o carburador contaminado Ventilación del depósito defectuosa, línea de suministro de combustible interrumpida, cable o interruptor de PARADA defectuoso
Rendimiento insuficiente	Varios sistemas pueden verse afectados simultáneamente	Bajo ralentí del motor	Filtro de aire sucio, carburador sucio, silenciador obstruido, conducto de escape del cilindro obstruido

## Localización y solución de averías

Antes de realizar una solicitud de reparación, compruebe usted mismo el problema. Si encuentra una anomalía, controle la máquina de acuerdo con la descripción de este manual. Nunca manipule ni desmonte ninguna pieza de forma contraria a la descripción. Si es necesario realizar reparaciones, póngase en contacto con un agente de servicio autorizado o un distribuidor local.

Estado anómalo	Causa probable (mal funcionamiento)	Solución
El motor no se enciende	No se ha accionado la bomba de cebado	Púlsela de 7 a 10 veces
	Se ha tirado del cable del arrancador a baja velocidad	Tire con fuerza
	Falta de combustible	Reposte combustible
	Filtro de combustible obstruido	Debe limpiarse
	Tubo de combustible roto	Enderece el tubo de combustible
	Combustible deteriorado	El combustible deteriorado hace que la puesta en marcha sea más difícil. Reemplácelo con uno nuevo. (Recomendación de reemplazo: 1 mes)
	Succión de combustible excesiva	Ajuste la palanca de la mariposa de gases entre una velocidad media y alta y tire de la empuñadura de arranque hasta que se ponga en marcha el motor. Cuando se haya puesto en marcha el motor, el disco de corte empezará a girar. Preste atención al disco de corte. Si el motor sigue sin encenderse, extraiga la bujía, seque el electrodo y vuelva a montarla en su posición original. A continuación, arranque como se ha especificado.
	Tapa de la bujía suelta	Acóplelo firmemente
	Bujía sucia	Debe limpiarse
	Holgura anómala de la bujía	Ajústela
	Otras anomalías de la bujía	Debe sustituirse
	Anomalía del carburador	Solicite que se realice la inspección y mantenimiento.
	No se puede tirar de la cuerda del arrancador	Solicite que se realice la inspección y mantenimiento.
Anomalía del sistema de transmisión	Solicite que se realice la inspección y mantenimiento.	
Embrague y piezas que lo rodean contaminados	Debe limpiarse	
El motor se para al poco tiempo La velocidad del motor no aumenta	Calentamiento insuficiente	Realice la operación de calentamiento
	La palanca del estrangulador está ajustada en "I" aunque el motor se ha calentado	Ajústela en "ON III"
	Filtro de combustible obstruido	Debe limpiarse
	Filtro de aire sucio u obstruido	Debe limpiarse
	Anomalía del carburador	Solicite que se realice la inspección y mantenimiento.
	Anomalía del sistema de transmisión	Solicite que se realice la inspección y mantenimiento.
El disco de corte no gira ↓ Pare el motor inmediatamente	Perno de apriete del disco de corte flojo	Apriételo firmemente
	Anomalía del sistema de transmisión	Solicite que se realice la inspección y mantenimiento.
La unidad principal vibra de forma anómala ↓ Pare el motor inmediatamente	El disco de corte está roto, doblado o gastado	Reemplace el disco de corte
	Perno de apriete del disco de corte flojo	Apriételo firmemente
	Anomalía del sistema de transmisión	Solicite que se realice la inspección y mantenimiento.
El disco de corte no se detiene inmediatamente ↓ Pare el motor inmediatamente	Rotación al ralentí elevada	Ajuste
	Enlace de la palanca de mariposa de gases desacoplada	Solicite que se realice la inspección y mantenimiento.
	Anomalía del sistema de transmisión	Solicite que se realice la inspección y mantenimiento.
El motor no se para ↓ Haga funcionar el motor al ralentí y ajuste la palanca de la mariposa de gases en "I"	Conector desconectado	Acóplelo firmemente
	Anomalía del sistema eléctrico	Solicite que se realice la inspección y mantenimiento.

Cuando el motor no se ponga en marcha tras la operación de calentamiento:

Si no hay ninguna anomalía en los elementos comprobados, abra la mariposa de gases 1/3 y ponga en marcha el motor.

## Almacenamiento

### ADVERTENCIA:

**Cuando drene el combustible, detenga siempre el motor, deje que se enfríe y después drene el combustible.**

- El drenaje del combustible directamente después de detener el motor puede provocar llamas o un incendio, lo que causaría lesiones por quemaduras.

### PRECAUCIÓN:

**Si el cortador no se va a utilizar durante un período de tiempo prolongado, drene todo el combustible y almacene el cortador en una ubicación seca y limpia.**

- Utilice los siguientes procedimientos para drenar el combustible del depósito de combustible y del carburador:
  - (1) Retire la tapa del depósito de combustible y drene el combustible hasta que el depósito esté vacío.  
En este momento, compruebe si hay objetos extraños dentro del depósito de combustible. Si los hay, retírelos.
  - (2) Utilice un trozo de alambre o un elemento similar para extraer el filtro de combustible por el cuello del depósito.
  - (3) Pulse la bomba de cebado hasta que todo el combustible vuelva al depósito de combustible y asegúrese de limpiar ese combustible del depósito de combustible.
  - (4) Devuelva el filtro de combustible a su posición en el depósito de combustible y vuelva a apretar firmemente la tapa del depósito de combustible.
  - (5) Finalmente, haga funcionar el motor hasta que se detenga.
  - (6) Retire la bujía y drene las pocas gotas de aceite de motor del orificio de acoplamiento de la bujía.
  - (7) Tire lentamente de la empuñadura de arranque, para hacer circular el aceite por el motor y después vuelva a montar la bujía.
  - (8) Coloque el combustible drenado en un contenedor de combustible adecuado y almacénelo en un lugar a la sombra que esté bien ventilado.

**Obrigado por adquirir um produto MAKITA!**

Parabéns por ter escolhido uma Cortadora a Gasolina MAKITA! Estamos convencidos que ficará satisfeito com este equipamento moderno.

Queremos que fique satisfeito com o seu produto MAKITA. Para assegurar um funcionamento sempre perfeito e a capacidade de sua nova Cortadora a Gasolina e garantir a sua segurança pessoal, pedimos que por favor:

**Leia atentamente este manual de instruções antes da primeira colocação em serviço e siga acima de tudo as normas de segurança! O incumprimento destas precauções pode resultar em ferimentos graves ou morte!**

**Apenas para países europeus****Declaração de conformidade CE**

**Nós, a Makita Corporation, como fabricante responsável, declaramos que a(s) máquina(s) Makita seguinte(s):**

Designação da máquina: Cortadora a Gasolina

N.º de modelo/Tipo: EK7650H, EK7651H

Especificações: consulte a tabela "Dados técnicos".

são de produção em série e

**Estão em conformidade com as directivas europeias seguintes:**

2000/14/EC, 2006/42/EC

E são fabricadas de acordo com as normas e documentos padronizados seguintes:

EN ISO 19432

A documentação técnica é mantida pelo nosso representante autorizado na Europa, que é:

Makita International Europe Ltd.,

Michigan Drive, Tongwell,

Milton Keynes, Bucks MK15 8JD, Inglaterra

O procedimento de avaliação da conformidade requisitado pela Directiva 2000/14/EC estava em conformidade com o anexo V.

Nível de potência sonora medida: 113 dB (A)

Nível de potência sonora garantida: 114 dB (A)

14. 1. 2011

Tomoyasu Kato

Director

Makita Corporation

3-11-8, Sumiyoshi-cho,

Anjo, Aichi, 446-8502, JAPAN

<b>Índice</b>	<b>Página</b>
<b>Embalagem</b> .....	158
<b>Conteúdo da embalagem</b> .....	159
<b>Símbolos</b> .....	159
<b>PRECAUÇÕES DE SEGURANÇA</b> .....	160
Precauções gerais .....	160
Equipamento de segurança pessoal.....	160
Combustíveis/Reabastecimento de combustível .....	161
Colocar em funcionamento .....	161
Discos de corte .....	162
Recuo e bloqueio .....	163
Comportamento/método de funcionamento.....	163
Corte de metal.....	164
Cortar alvenaria e betão.....	164
Transporte e armazenamento.....	165
Manutenção .....	166
Primeiros-socorros .....	166
<b>Dados técnicos</b> .....	167
<b>Denominação dos componentes</b> .....	168
<b>COLOCAR EM FUNCIONAMENTO</b> .....	169
Instalar o disco de corte .....	169
Apertar a correia trapezoidal/Verificar a tensão da correia trapezoidal.....	170
Antes da utilização .....	170
<b>Funcionamento</b> .....	172
Arranque .....	172
<b>Regular o carburador</b> .....	173
<b>MANUTENÇÃO</b> .....	173
Correia trapezoidal .....	174
Limpar a tampa de protecção .....	174
Limpar/substituir o filtro de ar.....	175
Manutenção da vela de ignição .....	176
Substituir a cabeça de aspiração.....	176
Limpar o motor de arranque.....	177
Alterar a posição do acessório de corte (central/lateral).....	178
<b>ACESSÓRIOS ESPECIAIS</b> .....	179
Discos de corte de diamante.....	179
Carrinho-guia .....	179
Depósito de água (o componente do carrinho).....	179
Sistema de água pressurizada/de rede .....	179
<b>Tabela de manutenção</b> .....	180
<b>Identificação de falhas</b> .....	181
<b>Detecção de avarias</b> .....	182
<b>Armazenamento</b> .....	183

**Embalagem**

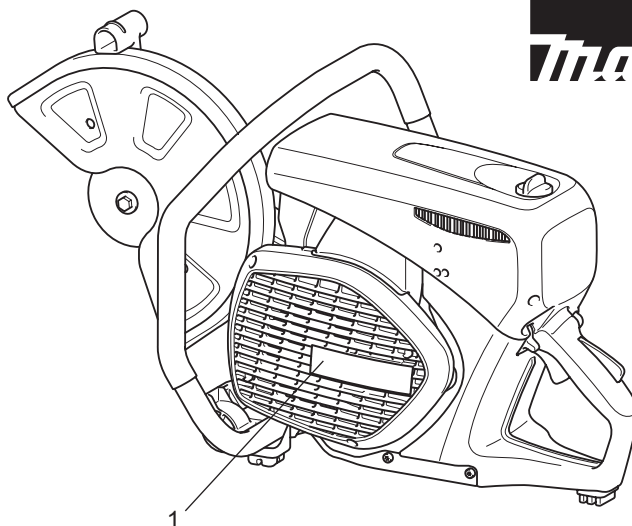
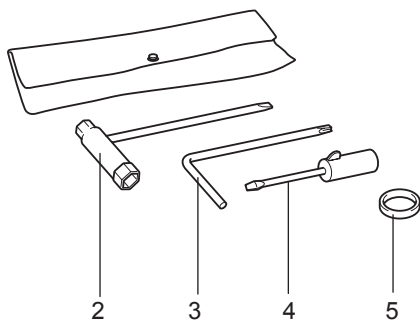
A sua Cortadora a Gasolina MAKITA é embalada numa caixa de cartão para evitar danos de transporte.

O cartão é uma matéria-prima básica e, logo, é reutilizável ou adequado para reciclagem (reciclagem de papel/cartão).





## Conteúdo da embalagem



1. Cortadora a Gasolina
2. Chave de combinação 13/19 AF
3. Chave-estrela
4. Chave de fendas de regulação do carburador
5. Anel adaptador (as ferramentas para alguns países podem não precisar deste anel).
6. Manual de instruções (não mostrado)

Caso uma das peças listadas não esteja incluída no conteúdo da embalagem, consulte o seu agente de vendas.

## Símbolos

A cortadora e o manual de instruções apresentam os seguintes símbolos:

	Leia o manual de instruções e siga os avisos e as precauções de segurança!		Dimensões do disco de corte
	Tenha um cuidado e atenção especiais!		Arranque manual do motor
	Proibido!		Desligar motor!
	Use um capacete e protecção para os olhos e ouvidos e protecção respiratória!		Aviso! Recuo!
	Utilizar luvas de protecção!		Combustível (Gasolina)
	Proibido fumar!		Primeiros-socorros
	Proibição de chamas livres!		Reciclagem
	Sentido de rotação do disco de corte		Marca CE
	<b>AVISO:</b> a velocidade máxima periférica do disco de corte é 80 m/s!		

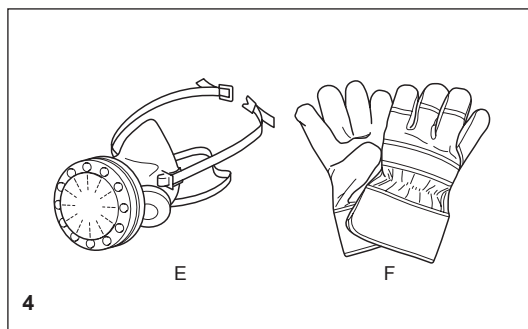
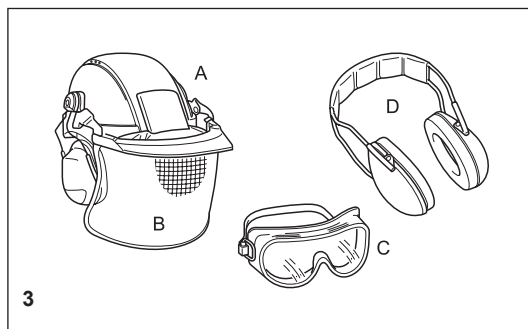
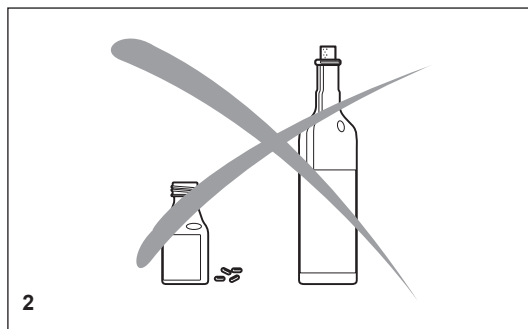
# PRECAUÇÕES DE SEGURANÇA

## Precauções gerais

- O operador TEM de ler este manual de instruções para garantir um funcionamento seguro (mesmo que já tenha experiência com serras de corte). É importante familiarizar-se com o funcionamento desta serra de corte em particular. Utilizar este equipamento sem entender como operá-lo correctamente pode resultar em ferimentos graves em si ou em outros.
- Esta unidade só pode utilizada por pessoas com experiência. Ao permitir que outra pessoa utilize a Cortadora a Gasolina, certifique-se de que ela está familiarizada com este manual de instruções.
- Os operadores estreadantes devem pedir a um especialista que lhes ensine a trabalhar com serras de corte a gasolina.
- As crianças e as pessoas com menos de 18 anos de idade não podem utilizar a Cortadora a Gasolina. As pessoas com mais de 16 anos podem, no entanto, utilizar a Cortadora a Gasolina apenas durante a formação e sob a supervisão de um formador qualificado.
- Utilizar a Cortadora a Gasolina requer muita concentração.
- Opere a Cortadora a Gasolina apenas se estiver em boas condições físicas. Se estiver cansado, a sua atenção será reduzida. Tenha especial atenção no fim de um dia de trabalho. Efectue todos os trabalhos com calma e cuidado. O utilizador deve aceitar a responsabilidade pelos que estão em sua volta.
- Nunca trabalhe sob a influência de álcool, drogas, medicação ou outras substâncias que possam prejudicar a visão, a destreza ou o discernimento.
- Tem de existir um extintor próximo do local de trabalho.
- O amianto e outros materiais que podem libertar toxinas só podem ser cortados com as precauções de segurança necessárias, após notificar as respectivas autoridades e sob a supervisão das mesmas ou de uma pessoa por elas nomeada.

## Equipamento de segurança pessoal

- Para evitar ferimentos na cabeça, nos olhos, nas mãos e nos pés, assim como danos de audição, devem ser utilizados os equipamentos de segurança pessoal descritos a seguir.
- A roupa deve ser adequada, isto é, deve ser justa, mas não de maneira a impedir os movimentos. Ao cortar metal, não deve usar roupa na qual podem acumular grãos de material (calças com dobras, casacos e calças com bolsos grandes, etc.).
- Não use jóias ou roupas que possam ficar presas nem se distraia durante a utilização da Cortadora a Gasolina.
- É necessário usar um capacete de protecção sempre que utilizar a Cortadora a Gasolina. O **capacete de protecção** (A) deve ser regularmente verificado quanto a avarias e deve ser substituído, o mais tardar, após 5 anos. Utilize apenas capacetes de protecção aprovados.
- A **viseira** do capacete (B) protege o rosto do pó e dos grãos de material. De modo a evitar ferimentos nos olhos e rosto, use sempre **óculos de protecção** (C) ou viseira ao utilizar a Cortadora a Gasolina.
- Para evitar danos de audição, use sempre **protecção auditiva** adequada (protectores auditivos (D), tampões para os ouvidos, etc.). Analise do nível sonoro sob pedido.
- Ao cortar a seco materiais que produzem pó, como pedra ou betão, use sempre **protecção respiratória** (E) aprovada.
- As **luvas de trabalho** (F) em pele fazem parte do kit de trabalho necessário da Cortadora a Gasolina e têm de ser sempre usadas ao utilizar a Cortadora a Gasolina.



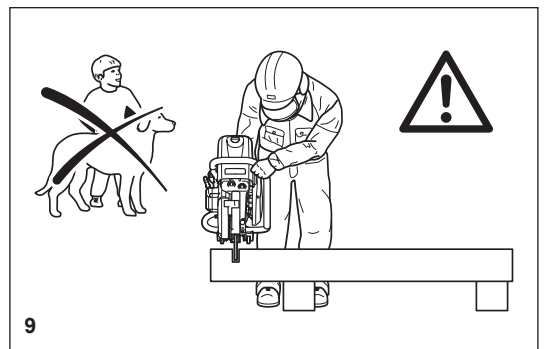
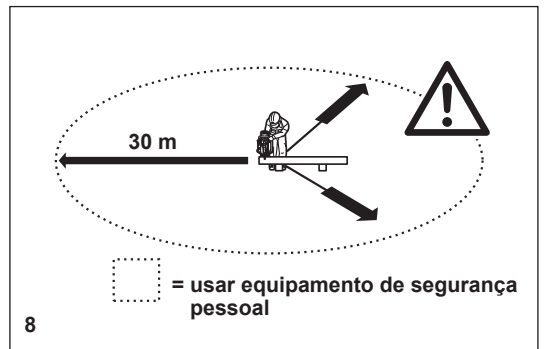
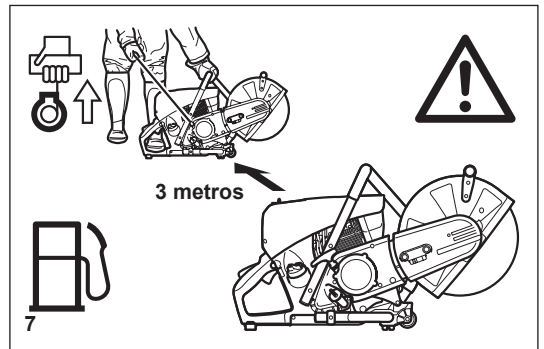
- Use sempre **calçado de segurança** (G) com biqueiras de aço, solas anti-derrapantes e protectores de perna ao utilizar a Cortadora a Gasolina. Os calçados de segurança com revestimento de protecção contra cortes evitam ferimentos deste tipo e garantem firmeza dos pés.
- Use sempre um **fato de trabalho** (H) de material robusto.

### Combustíveis/Reabastecimento de combustível

- Efectue sempre o reabastecimento num local seguro. **Nunca reabasteça em andaimes, em montões de material ou locais semelhantes!**
- Desligue o motor antes de reabastecer a Cortadora a Gasolina.
- Não fume nem trabalhe perto de chamas livres (6).
- Deixe o motor arrefecer antes de reabastecer.
- O combustível pode conter substâncias semelhantes a solventes. Os olhos e a pele não devem entrar em contacto com produtos de óleo mineral. Use sempre luvas de protecção ao reabastecer (não as luvas de trabalho normais!). Limpe e troque de roupa de protecção regularmente. Não inale os vapores do combustível. A inalação de vapores de combustível pode ser nociva para a saúde.
- Não derrame combustível. Se ocorrer um derrame, limpe imediatamente a Cortadora a Gasolina. O combustível não deve entrar em contacto com as roupas. Se as roupas entrarem em contacto com combustível, mude-as imediatamente.
- Certifique-se de que o combustível não se infiltra no solo (protecção ambiental). Use uma base adequada.
- Não pode efectuar o reabastecimento em divisões fechadas. Os vapores de combustível irão acumular perto do chão (risco de explosões).
- Certifique-se de que aperta bem o tampão de rosca do depósito de combustível.
- Antes de ligar o motor, desloque-se para um local, no mínimo, a 3 metros do local onde abasteceu a Cortadora a Gasolina (7), mas não dentro do raio de alcance do disco de corte (direcção das faíscas).
- O combustível não pode ser guardado durante um período ilimitado de tempo. Compre apenas o que irá ser consumido num futuro próximo.
- Utilize apenas recipientes aprovados e assinalados para o transporte e armazenamento de combustível.
- **Mantenha o combustível afastado das crianças!**

### Colocar em funcionamento

- **Não trabalhe sozinho. Tem de haver alguém por perto em caso de uma emergência (a uma distância que possa ser chamado).**
- Cumpra todas as normas anti-ruído ao trabalhar em áreas residenciais.
- **Nunca utilize a Cortadora a Gasolina perto de materiais inflamáveis ou gases explosivos! A Cortadora a Gasolina pode criar faíscas resultando em incêndios ou explosões!**
- Certifique-se de que todas as pessoas num raio de 30 metros, como os outros trabalhadores, usam equipamento de protecção (consulte "Equipamento de segurança pessoal") (8). As crianças e as outras pessoas não autorizadas devem permanecer a mais de 30 metros de distância da área de trabalho. Esteja também atento à presença de animais (9).
- **Antes de iniciar o trabalho, verificar se a Cortadora a Gasolina está com funcionamento perfeito e no estado de segurança operacional prescrito.** Em particular, certifique-se de que o disco de corte está em bom estado (substitua imediatamente se estiver quebrado, danificado ou empenado), de que o disco de corte está bem montado, de que a tampa de protecção está fixada na posição, de que o resguardo da mão está bem instalado, de que a correia trapezoidal está bem esticada, de que o acelerador se desloca facilmente, de que as pegas estão limpas e secas e de que o interruptor de combinação funciona correctamente.
- Ligue a Cortadora a Gasolina apenas após montagem e inspecção completas. Nunca utilize a Cortadora a Gasolina quando não está completamente montada.



## Discos de corte

- **A tampa de protecção tem de estar sempre instalada! Substitua os discos sempre com o motor desligado!**
- Existem dois tipos básicos de discos de corte:
  - Para metal (corte quente)
  - Para alvenaria (corte frio)

### NOTA:

Ao utilizar discos de corte de diamante, certifique-se sempre de que obedece às marcações de "sentido de rotação". Os discos de diamante só devem ser utilizados para cortar alvenaria/tijolos/betão etc.

- Os discos de corte destinam-se apenas a cargas radiais, ou seja, a cortes. Não rectifique com as partes laterais do disco de corte! Isto irá quebrar o disco (10)!

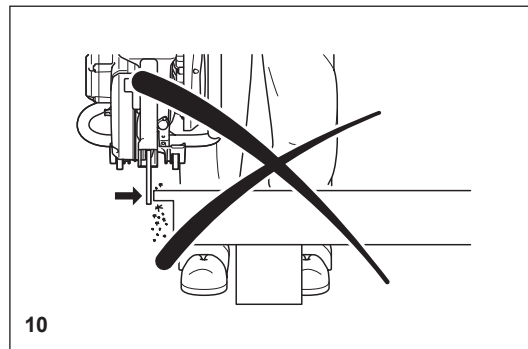
### ⚠ PRECAUÇÃO:

**Nunca mude de direcção (raio de viragem inferior a 5 metros), não exerça pressão lateral nem incline a Cortadora a Gasolina durante o corte (11)!**

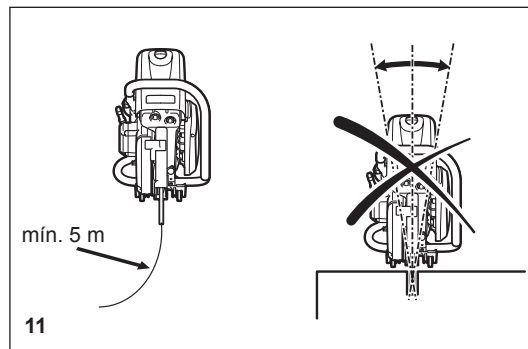
- Corte materiais com um disco de corte adequado. Tem de utilizar o tipo de disco apropriado para metais ou para alvenaria.
- O orifício do eixo (diâmetro) do disco de corte tem de encaixar perfeitamente no veio. Se o orifício do eixo for maior do que o diâmetro do veio, tem de um utilizar um anel espaçador (acessórios).
- Utilize apenas discos de corte aprovados pela DSA (German Abrasive Disc Committee) ou organização equivalente para corte livre até 4.370 RPM (= 80 m/seg. em circunferência) para discos 14"/355 mm ou até 5.100 RPM (= 80 m/seg. em circunferência) para discos 12"/300 mm.
- O disco tem de estar isento de defeitos (12). Não utilize discos de corte defeituosos.

**Aperte sempre o parafuso de montagem do disco de corte a um binário de 30 Nm. Caso contrário, o disco de corte pode torcer.**

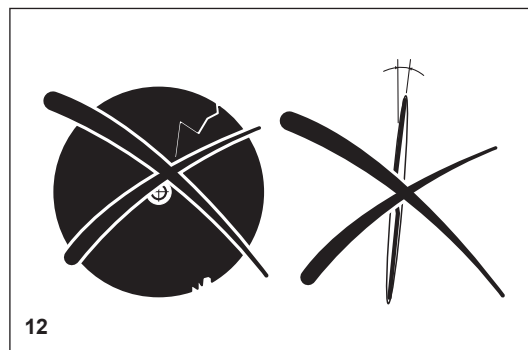
- Antes de ligar o disco de corte, certifique-se de que tem uma firmeza dos pés estável.
- Ligue a Cortadora a Gasolina apenas conforme descrito neste manual de instruções (13). Coloque sempre o pé esquerdo na pega traseira e agarre a outra pega firmemente (com os dedos e o polegar). Não são permitidos outros métodos de arranque.
- Ao ligar a Cortadora a Gasolina, esta tem de estar bem apoiada e segurada com firmeza. O disco de corte não pode estar em contacto com outros objectos.
- Se o disco de corte for novo, teste-o durante 60 segundos à velocidade máxima. Ao fazer isto, certifique-se de que não se encontra ninguém no raio de alcance do disco, caso esteja defeituoso e seja projectado.
- **Ao trabalhar com a Cortadora a Gasolina, segure-a sempre com ambas as mãos.** Segure na pega traseira com a mão direita e a pega tubular com a mão esquerda. Segure bem nas pegas com os polegares virados para os seus dedos.
- **PRECAUÇÃO: Quando solta a alavanca do acelerador, o disco continuará a rodar durante um curto período de tempo** (efeito de rotação livre).
- Certifique-se continuamente de que tem uma firmeza dos pés segura.
- Segure a Cortadora a Gasolina de forma a não respirar os gases de escape. Não trabalhe em divisões fechadas ou em buracos ou valas profundos (perigo de envenenamento por fumos).
- **Desligue a Cortadora a Gasolina imediatamente se observar alterações no comportamento de funcionamento.**
- **Desligue o motor antes de inspeccionar a tensão da correia trapezoidal ou de apertá-la, antes de substituir o disco de corte, reposicionar o acessório da cortadora (posição lateral ou central) ou antes de eliminar avarias** (14).
- Desligue imediatamente o motor e verifique o disco se ouvir ou sentir qualquer alteração no comportamento de corte.
- Desligue a Cortadora a Gasolina quando fizer uma pausa ou parar de trabalhar (14). Coloque a unidade de forma a que o disco não toque noutros objectos e não represente um perigo.
- Não coloque a Cortadora a Gasolina sobreaquecida em relva seca ou sobre objectos inflamáveis. O silenciador fica muito quente (perigo de incêndio).
- **IMPORTANTE:** Após corte molhado, desligue primeiro o fornecimento de água e, de seguida, deixe o disco em funcionamento durante 30 segundos no mínimo, para sacudir a água restante e impedir a corrosão.



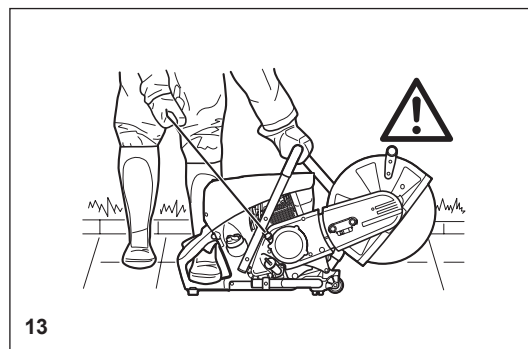
10



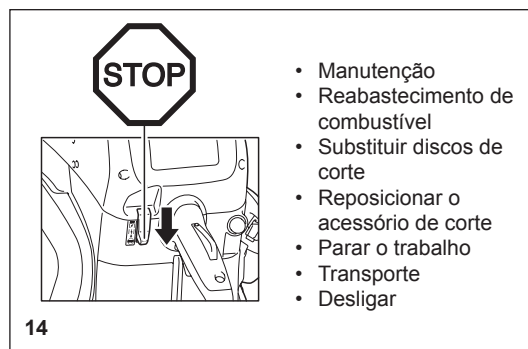
11



12



13



- Manutenção
- Reabastecimento de combustível
- Substituir discos de corte
- Reposicionar o acessório de corte
- Parar o trabalho
- Transporte
- Desligar

14

## Recuo e bloqueio

- Ao trabalhar com a Cortadora a Gasolina existe um risco de recuo e bloqueio.
- O recuo ocorre quando a parte superior do disco de corte é utilizada para cortar (15).
- Isto faz com que a Cortadora a Gasolina seja projectada para trás na direcção do utilizador, com força e descontrolada. **Risco de ferimentos!**

**Para evitar recuos, efectue o seguinte:**

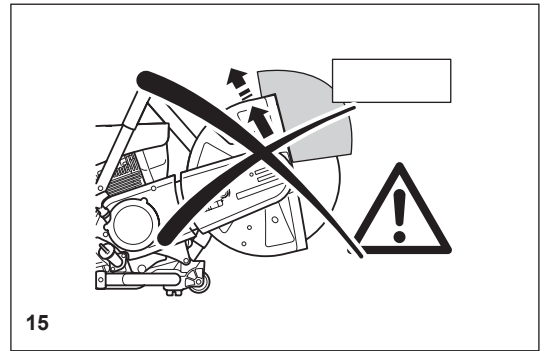
- Nunca corte com a secção do disco de corte mostrada na figura 15.
- **Preste especial atenção ao introduzir novamente o disco nos cortes já iniciados!**
- O bloqueio ocorre quando o corte fica mais estreito (fissura ou peça de trabalho sob tensão).
- Isto faz com que a Cortadora a Gasolina salte repentinamente para a frente, descontrolada e com muita força. **Risco de ferimentos!**

**Para evitar bloqueios, efectue o seguinte:**

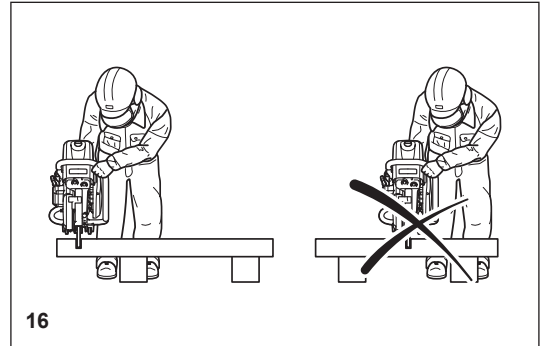
- Ao introduzir novamente o disco em cortes existentes, coloque a Cortadora a Gasolina à velocidade máxima. Corte sempre à velocidade máxima.
- Apoie sempre a peça de trabalho para que o corte seja efectuado sob tensão (16), para que o corte não fique fechado e encrave o disco de corte à medida que avança pelo material.
- Quando iniciar um corte, aplique o disco na peça de trabalho com cuidado. Não se limite a introduzir o disco no material.
- Nunca corte mais do que uma peça de cada vez! Ao cortar, certifique-se de que não entra em contacto com mais nenhuma peça.

## Comportamento/método de funcionamento

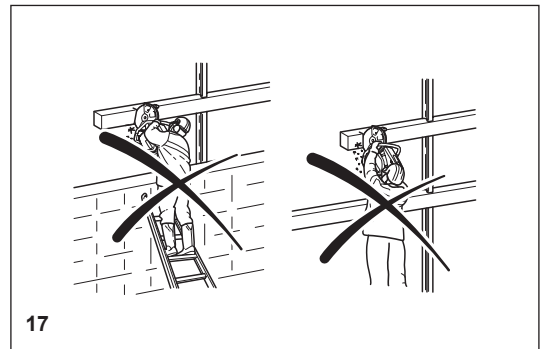
- Antes de iniciar ao trabalho, inspeccione a área de trabalho por perigos (fios eléctricos, substâncias inflamáveis). Assinale bem a área de trabalho (por exemplo, com sinais de aviso ou ao isolar a área com corda).
- Ao trabalhar com a Cortadora a Gasolina, segure-a firmemente através das pegas dianteira e traseira. Nunca deixe a Cortadora a Gasolina sem supervisão!
- Sempre que possível, utilize a Cortadora a Gasolina à velocidade de eixo nominal (consulte "Dados técnicos").
- Utilize apenas a Cortadora a Gasolina durante períodos de boa visão e luminosidade.  
Atenção especial no caso de áreas escorregadias ou húmidas e neve e gelo (perigo de derrapagem).
- Nunca trabalhe em superfícies instáveis. Certifique-se de que não existem obstáculos na área de trabalho, risco de tropeçar. Certifique-se de que tem sempre uma firmeza dos pés segura.
- Nunca corte acima da altura dos ombros (17).
- Nunca suba para uma escada para cortar (17).
- Nunca utilize a Cortadora a Gasolina em andaimes.
- Ao trabalhar, não se incline demasiadamente. Ao pousar e ao pegar na Cortadora a Gasolina, não dobre o torso, mas sim os joelhos. Não faça esforços nas costas!
- Oriente a Cortadora a Gasolina de tal forma que nenhuma parte do seu corpo se encontre no raio de alcance do disco (18).
- Utilize discos de corte apenas para os materiais para os quais foram concebidos!
- Não utilize a Cortadora a Gasolina para levantar e afastar peças de material e outros objectos.
- **Importante!** Antes de cortar, retire todos os objectos estranhos, como pedras, gravilha, pregos etc. da área de corte. Caso contrário, esses objectos podem ser projectados pelo disco a grande velocidade. **Risco de ferimentos!**
- Ao cortar peças de trabalhos na totalidade, utilize um apoio firme. Se necessário, fixe a peça de trabalho para não escorregar, mas não o faça com o pé nem peça a outra pessoa para a segurar.
- Ao cortar itens redondos, fixe-os sempre para não rodarem.
- Ao orientar a Cortadora a Gasolina manualmente, utilize a posição de montagem lateral do acessório da cortadora apenas quando necessário.  
Caso contrário, utilize sempre a posição lateral. Isto proporciona um melhor equilíbrio à unidade, para uma redução da fadiga do operador.



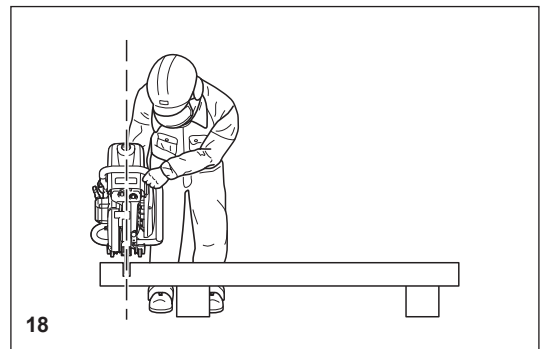
15



16



17



18



## Corte de metal

### ⚠ IMPORTANTE!

Use sempre protecção respiratória aprovada!

Os materiais que podem libertar substâncias tóxicas só podem ser cortados após notificar as respectivas autoridades e sob a supervisão das mesmas ou de uma pessoa por elas nomeada.

### ⚠ PRECAUÇÃO:

A rotação rápida do disco de corte aquece o metal e derrete-o quando entra em contacto. Oscile o resguardo para baixo ao máximo atrás do corte (19) de modo a direccionar o fluxo de faíscas para a frente, na direcção oposta ao operador (risco de incêndios).

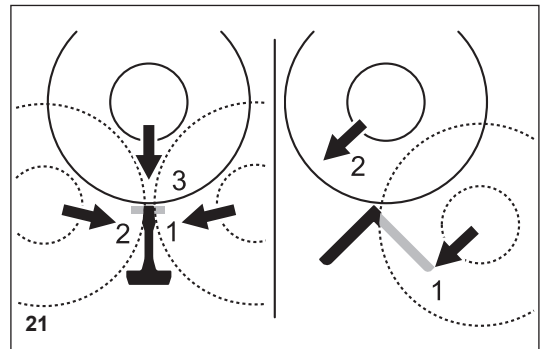
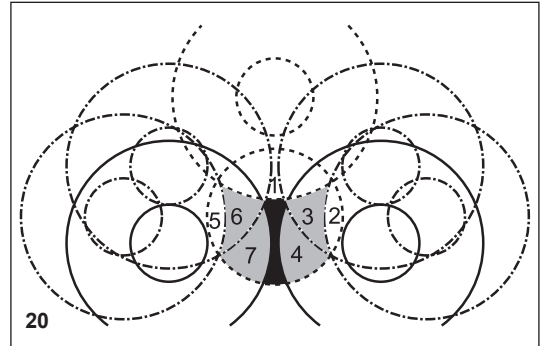
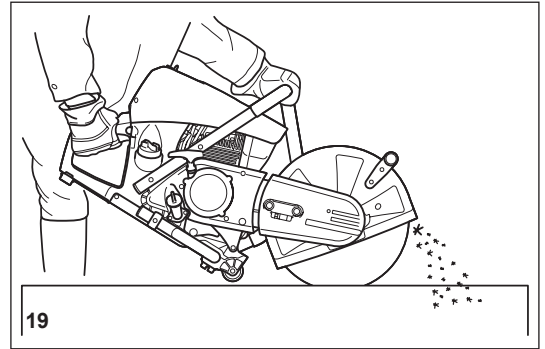
- Determine a direcção de corte, assinale o corte e aplique o disco no material a uma velocidade moderada, para cortar a ranhura-guia antes de atingir a velocidade máxima e aplicar mais pressão na Cortadora a Gasolina.
- Mantenha o disco a direito e na vertical. Não o incline uma vez que o pode quebrar.
- A melhor forma de obter um corte bom e simples é ao puxar ou ao deslocar a Cortadora a Gasolina para trás e para a frente. Não se limite a pressionar o disco contra o material.
- O material espesso e redondo deve ser cortado por fases (20).
- Os tubos finos podem ser cortados com um simples corte para baixo.
- Corte tubos de diâmetro grande da mesma forma que material redondo. Para evitar inclinações e para um controlo melhor, não deixe o disco entrar demasiadamente no material. Em vez disso, efectue sempre cortes superficiais à volta da peça toda.
- Os discos gastos têm um diâmetro mais pequeno do que os discos novos, para que à mesma velocidade do motor tenham uma velocidade circunferencial efectiva mais baixa e, por isso, não cortam tão bem.
- Corte vigas em I e barras em L por fases, consulte a Figura 21.
- Corte faixas e placas como tubos: pelo lado grande com um corte longo.
- Ao cortar material sob tensão (material suportado ou material em estruturas), faça sempre um entalhe no lado da pressão e, de seguida, corte a partir do lado da tensão, para que o disco não bloqueie. **Impeça o material cortado de cair!**

### ⚠ PRECAUÇÃO:

Caso o material esteja sob tensão, esteja atento aos recuos. Certifique-se de que consegue afastar-se, se necessário!

Tenha cuidado especial em sucatas, locais de acidentes e pilhas aleatórias de materiais. As peças mal equilibradas ou as peças sob tensão podem agir de forma imprevisível e podem deslizar, saltar ou rebentar. Impeça o material cortado de cair! Preste sempre muita atenção e utilize apenas equipamento em perfeito estado.

Cumpra as regras e regulamentos de prevenção de acidentes da sua entidade patronal e/ou companhia de seguros.



## Cortar alvenaria e betão

### IMPORTANTE!

Use sempre protecção respiratória aprovada!

O amianto e outros materiais que podem libertar substâncias tóxicas só podem ser cortados após notificar as respectivas autoridades e sob a supervisão das mesmas ou de uma pessoa por elas nomeada. Ao cortar pilhas de betão pré-tensionado e reforçado, siga as instruções e as normas das autoridades responsáveis ou do construtor da estrutura. As hastes de reforço têm de ser cortadas na sequência prescrita e em conformidade com as regulamentações de segurança aplicáveis.

### NOTA:

Cimento, pedra e betão produzem grandes quantidades de pó durante o corte. Para prolongar a vida útil do disco de corte (por arrefecimento), para melhorar a visibilidade e para evitar a criação excessiva de pó, é altamente aconselhável efectuar um corte molhado em vez de um corte a seco.

No corte molhado, o disco é molhado uniformemente em ambos os lados por uma aspersão de água. A MAKITA oferece os acessórios correctos para todas as aplicações de corte molhado (consulte também "ACESSÓRIOS ESPECIAIS").

- Retire os objectos estranhos como areia, pedras e pregos encontrados na área de trabalho. **PRECAUÇÃO: Preste atenção a fios e cabos eléctricos!**

**A rotação rápida do disco de corte no ponto de contacto faz projectar fragmentos da ranhura de corte a alta velocidade. Para sua segurança, oscile a tampa de protecção ao máximo para trás do corte (23), para que os fragmentos de material sejam projectados para a frente, na direcção oposta ao operador.**

- Assinale o corte e, de seguida, faça uma ranhura com cerca de 5 mm, ao longo do comprimento total do corte planeado. Esta ranhura irá, depois, orientar a Cortadora a Gasolina com precisão durante o corte.

#### NOTA:

Para os cortes longos e a direito, é aconselhável utilizar um carrinho (24, consulte também "ACESSÓRIOS ESPECIAIS"). Isto facilita imenso a orientação da unidade em linha recta.

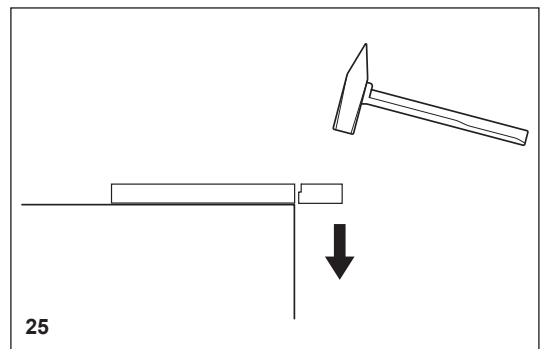
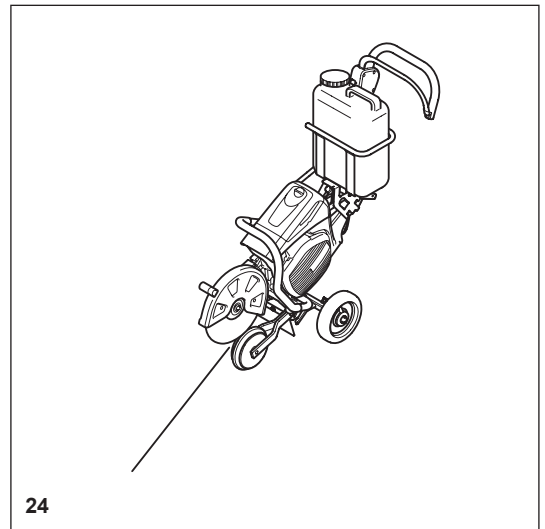
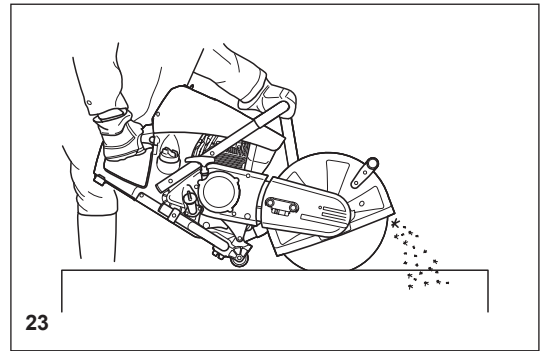
- Efectue o corte com um movimento estável para trás e para a frente.
- Ao cortar brames à medida, não necessita de cortar toda a espessura do material (criando pó desnecessário). Em vez disso, faça uma ranhura superficial e, de seguida, retire o material em excesso numa superfície plana (25).

#### CUIDADO!

Ao cortar na totalidade, cortar material, efectuar cortes, etc. certifique-se sempre de que planeia a direcção e a sequência dos cortes de forma a que o disco não fique encravado pela peça de corte e de que nenhuma pessoa fique ferida por peças que caiam.

### Transporte e armazenamento

- **Desligue sempre a Cortadora a Gasolina ao transportá-la ou ao movê-la de um lado para outro num local de trabalho (26).**
- **Nunca carregue nem mova a unidade com o motor ligado ou com o disco em rotação!**
- Carregue a unidade apenas pela pega tubular (central) com o disco de corte virado para trás (26). Evite tocar no silenciador de escape (risco de queimaduras!)
- Ao deslocar a Cortadora a Gasolina em distâncias mais longas, utilize um carro de mão ou um vagão.
- Ao transportar a Cortadora a Gasolina num veículo, certifique-se de que está bem posicionada para que não ocorram derrames de combustível. Retire sempre o disco de corte antes de transportar a unidade num veículo.
- A Cortadora a Gasolina deve ser guardada em segurança num local seco. Tem de ser guardada no interior! Retire sempre o disco de corte antes do armazenamento. Mantenha a Cortadora a Gasolina afastada das crianças.
- **Antes de um armazenamento a longo prazo e antes do envio da Cortadora a Gasolina, siga as instruções no capítulo "Armazenamento". Esvazie SEMPRE o depósito de combustível e seque o carburador.**
- Ao armazenar discos de corte, tenha o cuidado de:
- Limpá-los e secá-los bem.
- Armazená-los na horizontal.
- Evitar humidade, temperaturas geladas, luz solar directa, temperaturas altas e variações de temperatura, uma vez que podem causar quebras e fragmentação.
- **Inspeccione sempre os discos de corte novos ou os discos de corte que estiveram armazenados para se certificar de que não têm defeitos.**





## Manutenção

- **Antes de efectuar trabalhos de manutenção, desligue a Cortadora a Gasolina (27) e retire a tampa da vela.**
- Inspeccione sempre a Cortadora a Gasolina antes de a utilizar para se certificar de que está em bom estado. Em particular, certifique-se de que o disco de corte está bem instalado. Certifique-se de que o disco de corte não está danificado e de que é adequado para o trabalho em que será utilizado.
- Utilize a Cortadora a Gasolina a um ruído e um nível de emissões reduzidos. Para isto, certifique-se de que o carburador está bem regulado.
- Limpe a Cortadora a Gasolina regularmente.
- Verifique regularmente o tampão do depósito de gasolina por boa vedação.

**Cumpra as instruções de prevenção de acidentes emitidas pelas associações comerciais relevantes e companhias de seguros. NUNCA efectue modificações na Cortadora a Gasolina! Só irá colocar a sua segurança em risco!**

Efectue apenas os trabalhos de manutenção e reparação descritos no manual de instruções. Todos os outros trabalhos têm de ser efectuados pelo serviço de assistência MAKITA (28).

Utilize apenas peças sobressalentes e acessórios originais da MAKITA.

A utilização de peças sobressalentes, acessórios ou discos de corte não originais da MAKITA aumentam o risco de acidente. Não podemos aceitar qualquer responsabilidade por acidentes ou danos que ocorrem em associação com a utilização de discos de corte ou acessórios que não sejam originais da MAKITA.



27



ASSISTÊNCIA

28

## Primeiros-socorros (29)

Certifique-se de que existe sempre um kit de primeiros-socorros disponível por perto. Substitua imediatamente quaisquer itens usados da caixa de primeiros-socorros.

**Ao pedir ajuda, forneça a seguinte informação:**

- Local do acidente
- O que aconteceu?
- Número de pessoas feridas
- Tipo de ferimentos
- O seu nome!

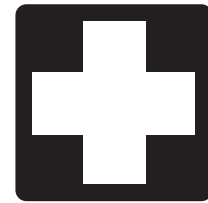
### NOTA:

As pessoas com má circulação que sejam expostas a vibrações excessivas podem sofrer ferimentos nos vasos sanguíneos ou no sistema nervoso.

As vibrações podem causar os seguintes sintomas nos dedos, mãos ou pulsos:

“Adormecimento” (falta de sensação), formigueiro, dor, sensação de picadas, alteração da cor da pele ou da própria pele.

**Se ocorrer qualquer um destes sintomas, consulte um médico!**



29

## Dados técnicos

Item		Modelo	EK7650H		EK7651H	
Motor	Deslocamento	cm <sup>3</sup>	75,6			
	Diâmetro	mm	51			
	Curso	mm	37			
	Potência máx.	kW	3,0			
	Binário máx.	Nm	4,6			
	Velocidade em marcha lenta	min <sup>-1</sup>	2.600			
	Embraiagem		Sistema centrífugo automático			
	Limite de velocidade do motor	min <sup>-1</sup>	9.100			
	Velocidade máx. do veio	min <sup>-1</sup>	4.300			
	Carburador		Tipo de diafragma			
	Sistema de ignição (com limite de velocidade)		Tipo magnético sem contacto			
	Vela de ignição	Tipo	NGK CMR6H			
	Separação de eléctrodos	mm	0,5			
	Sistema de arranque		Sistema de recuo			
	Consumo de combustível em carga máx. de acordo com ISO 8893	kg/h	1,2			
	Consumo específico em carga máx. de acordo com ISO 8893	g/kWh	400			
	Combustível		Gasolina			
	Capacidade do depósito de combustível	l	1,1			
	Lubrificante (óleo do motor)		Óleo SAE 10W-30 classe SF de grau API (óleo de motor a 4 tempos)			
Quantidade de lubrificante	l	0,22				
Disco de corte para 80 m/seg. ou superior <sup>1)</sup> (aprovação DSA): dimensões	mm	300 / 20 / 5 <sup>2)</sup>	300 / 25,4 / 5 <sup>2)</sup>	350 / 20 / 5 <sup>2)</sup>	350 / 25,4 / 5 <sup>2)</sup>	
Nível de pressão sonora (L <sub>pA</sub> ) de acordo com EN ISO 19432 <sup>3)</sup>	dB (A)	92,7				
Incerteza (K)	dB (A)	2,5				
Nível de potência sonora (L <sub>wA</sub> ) de acordo com EN ISO 19432	dB (A)	104,6				
Incerteza (K)	dB (A)	2,5				
Aceleração da vibração a <sub>n, w</sub> de acordo com EN ISO 19432						
- Pega frontal (ralenti/velocidade nominal do veio)	m/s <sup>2</sup>	2,7				
Incerteza (K)	m/s <sup>2</sup>	2,0				
- Pega traseira (ralenti/velocidade nominal do veio)	m/s <sup>2</sup>	1,8				
Incerteza (K)	m/s <sup>2</sup>	2,0				
Diâmetro do eixo	mm	20,0	25,4	20,0	25,4	
Diâmetro do veio	mm	17		17 ou 25,4 <sup>4)</sup>		
Diâmetro mínimo exterior da flange	mm	102				
Profundidade máxima de corte	mm	97		122		
Dimensões da Cortadora a Gasolina (comprimento geral x largura geral x altura geral)		761 mm x 310 mm x 435 mm		780 mm x 310 mm x 455 mm		
N.º da correia trapezoidal	n.º	225094-6				
Altura geral (depósito vazio, sem disco de corte)	kg	12,7		12,9		

1) Velocidade de circunferência à velocidade máx. do motor

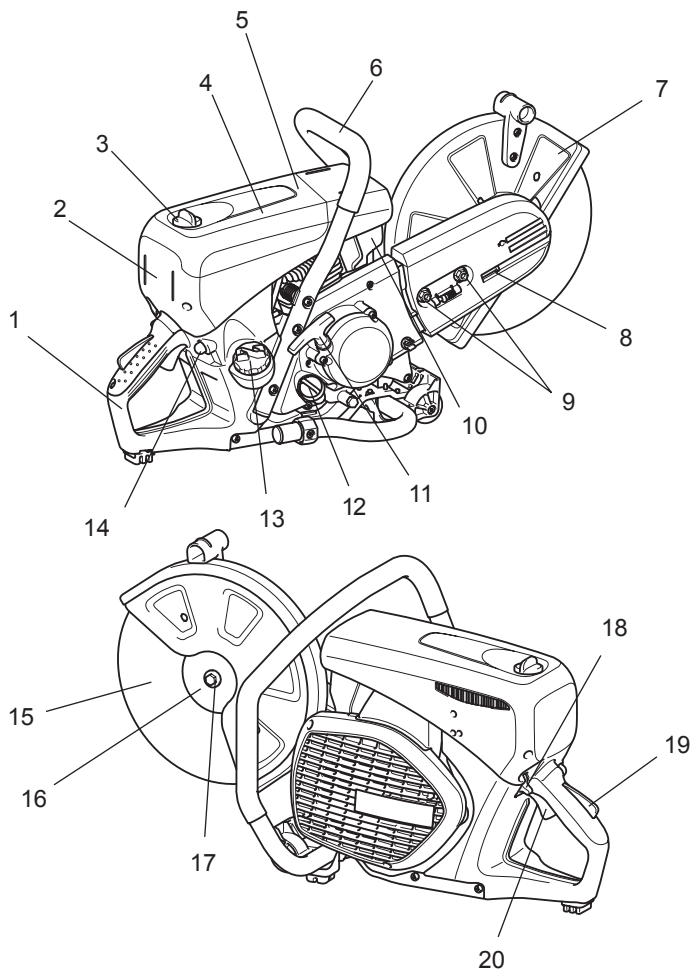
2) Diâmetro exterior/orifício do eixo/espessura

3) No local de trabalho (aos ouvidos do utilizador)

4) Específico a cada país

## Denominação dos componentes

1. Pega traseira
2. Tampa do filtro
3. Parafuso de bloqueio
4. Tampa superior para filtro de ar e tampa da vela
5. Tampa superior
6. Pega frontal
7. Tampa de protecção
8. Parafuso tensor
9. Porca sextavada
10. Silenciador
11. Pega do motor de arranque
12. Tampa do depósito de óleo
13. Tampa do depósito de combustível
14. Bomba de combustível (Escorva)
15. Disco de corte
16. Flange exterior
17. Parafuso sextavado
18. Interruptor
19. Botão de bloqueio de segurança
20. Alavanca do acelerador





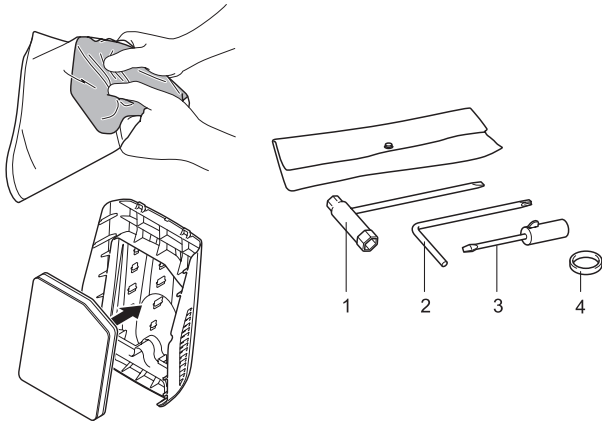
## COLOCAR EM FUNCIONAMENTO

### ⚠️ PRECAUÇÃO:

Desligue sempre o motor e retire a tampa da vela antes de efectuar qualquer trabalho na Cortadora a Gasolina! Use sempre luvas de protecção!

### ⚠️ PRECAUÇÃO:

Ligue a Cortadora a Gasolina apenas após montagem e inspecção completas.



Para os trabalhos seguintes, utilize as ferramentas de montagem incluídas na entrega:

1. Chave de combinação 13/16 AF
2. Chave-estrela
3. Chave de fendas de regulação do carburador
4. Anel adaptador

Coloque a Cortadora a Gasolina numa superfície estável e efectue os passos de montagem seguintes:

### ⚠️ Não está instalado um filtro de ar!

Antes de utilizar, aperte várias vezes o filtro fornecido, de forma a que o óleo esteja submergido uniformemente em todo o filtro. Insira um filtro de espuma oleado (pré-filtro), tal como mostrado na ilustração ao lado! Para o fazer, retire a tampa do filtro (consulte o capítulo sobre Limpar/substituir o filtro de ar).

## Instalar o disco de corte

### ⚠️ AVISO:

- Ao instalar um disco de corte de diamante, certifique-se de que o instala com a seta na mesma direcção à medida que a flange exterior (6) roda. Instalar o disco de corte de diamante (4) com a direcção da seta oposta à da tampa do disco pode causar o lascamento da extremidade do disco e ferimentos pessoais.
- Ao instalar um disco de corte (4), utilize sempre o anel que corresponde ao diâmetro do disco de corte e ao diâmetro do veio (5). Caso não utilize anéis que correspondam, pode causar vibrações na ferramenta resultando em ferimentos pessoais graves.
- Utilize apenas discos de corte com um diâmetro que corresponde ao diâmetro do(s) anel(éis) fornecido(s). Utilizar discos que não correspondem, pode causar vibrações na ferramenta resultando em ferimentos pessoais graves.
- Inspeccione um disco de corte por danos. (consulte a secção intitulada "Discos de corte" em PRECAUÇÕES DE SEGURANÇA.)

1. Introduza a chave-estrela (2) no orifício (8) para impedir o veio (5) de rodar.

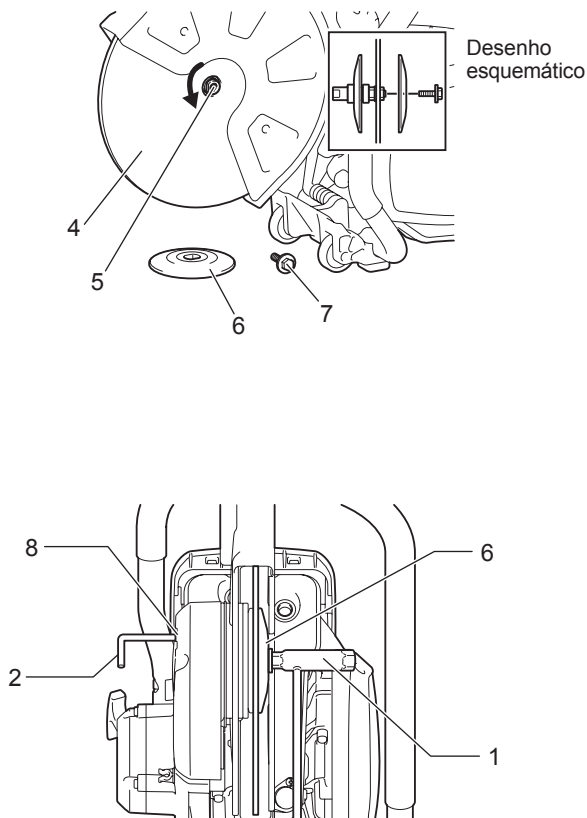
**NOTA:** Quando o suporte do sistema de água de pressurizada está instalado no orifício na ferramenta, retire-o antes de instalar o disco de corte.

2. Enquanto segura a chave (2) nessa posição, utilize a chave de combinação (1) fornecida e rode o parafuso (7) para a esquerda, fixando o disco, e retire o parafuso (7) e a flange exterior (6).
3. Instale um disco de corte de diamante/disco abrasivo de corte (4) no eixo (5). E, de seguida, coloque a flange exterior (6) no veio para que as duas superfícies planas paralelas na flange exterior encaixem na superfície plana do veio e aperte bem o parafuso para a direita.

Para instalar um disco de corte, instale um anel com o mesmo diâmetro que o diâmetro do disco e a junta tórica fornecida para fixar o anel no veio antes de instalar um disco de corte de diamante.

E, de seguida, instale o disco de corte.

**NOTA:** Aperte bem o parafuso sextavado (25 - 31 Nm), caso contrário, o disco de corte pode escorregar durante o corte.



## Apertar a correia trapezoidal/Verificar a tensão da correia trapezoidal

### IMPORTANTE:

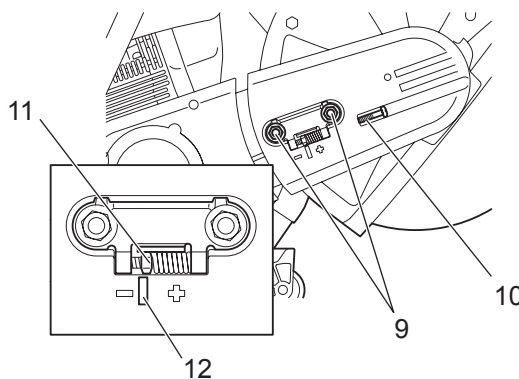
Uma tensão exacta da correia trapezoidal é essencial para um desempenho máximo de corte com um consumo mínimo de combustível. Uma tensão incorrecta da correia trapezoidal irá resultar num desgaste prematuro da correia trapezoidal e do disco da correia trapezoidal ou danos no rolamento da embraiagem.



**NOTA:** As duas porcas sextavadas (9) tem de ser desapertadas antes de apertar a correia trapezoidal ou verificar a tensão.

Para aumentar a tensão da correia, rode o parafuso de tensão (10) para a direita com a chave de combinação incluída com a Cortadora a Gasolina.

A tensão da correia está bem ajustada quando a porca (11) está situada conforme mostrado na figura, em comparação com a posição da marca (12).



### IMPORTANTE:

- Após o aperto/inspecção, aperte a porca sextavada (9) (25 - 31 Nm).
- Não ajuste a tensão da correia enquanto a máquina estiver quente. Existe um risco de queimaduras.

## Antes da utilização

### 1. Verificar/abastecer óleo do motor

- Com o motor a frio, verifique/abasteça óleo do motor da seguinte forma.
  - Posicione o motor numa superfície nivelada e verifique se o óleo se encontra entre os limites MAX e MIN do depósito de óleo.
  - Se o óleo for insuficiente (perto da marca MIN do depósito de óleo), abasteça o depósito de óleo com óleo até à marca MAX.
  - A quantidade de óleo pode ser verificada externamente sem retirar o tampão do óleo, uma vez que o nível de óleo pode ser visto na janela transparente das marcas de medição externa.
  - Para referência, o óleo precisa de ser abastecido a cada dez horas de funcionamento (um depósito de óleo por cada dez abastecimentos de combustível).
  - Substitua o óleo extremamente sujo ou descolado.
- <Óleo recomendado>...Use óleo SAE 10W-30 classe SF de grau API (óleo de motor a 4 tempos).
- <Quantidade de óleo> ..0,22 L (220 mL)

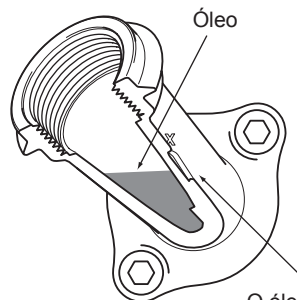
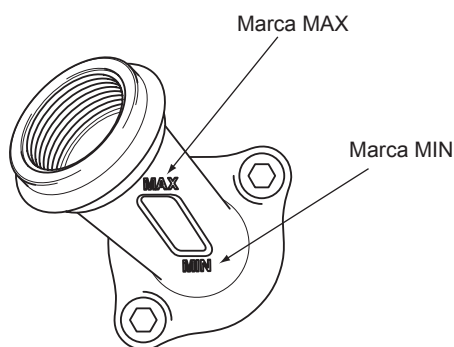
### NOTA:

- Se o motor não for armazenado na posição vertical, o óleo irá circular pelo motor, o que significa que haverá excesso de óleo na Cortadora a Gasolina ao abastecer.
- Se o óleo exceder a marca MAX, pode derramar causando sujidade ou fumo branco.

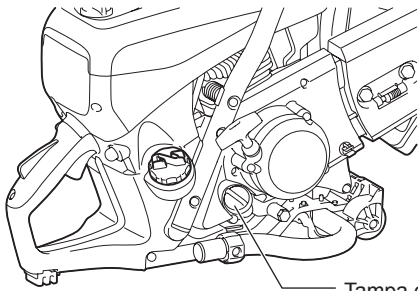
### Ponto de substituição do óleo 1 <Tampão do óleo>

Intervalo de substituição: Inicialmente, após 20 horas de funcionamento e, depois, a cada 30 horas de funcionamento.

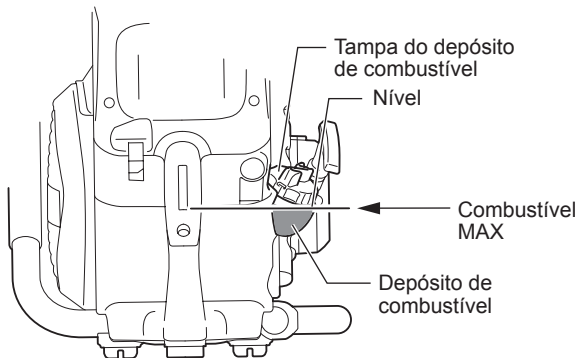
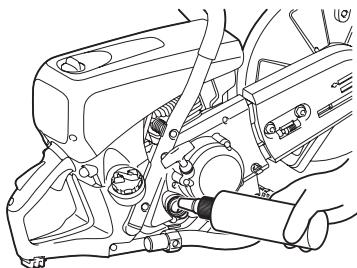
- Limpe a sujidade em redor do bocal de enchimento de óleo e, de seguida, retire o tampão do óleo.
- Coloque o tampão do óleo numa superfície onde não fique sujo. Se o tampão for introduzido sujo, a circulação do óleo pode deteriorar e as peças do motor ficam gastas, o que podem causar falhas mecânicas.



O óleo é visível a partir daqui, por isso, as marcas MAX e MIN podem ser utilizadas para verificar a quantidade de óleo.



Tampa do depósito de óleo



Tampa do depósito de combustível

Nível

Combustível MAX

Depósito de combustível

- (1) Coloque o motor numa superfície nivelada e retire o tampão do óleo.
- (2) Abasteça óleo até à base do bocal de enchimento de óleo. Ao abastecer óleo, utilize um recipiente adequado de lubrificante.
- (3) Aperte bem o tampão do óleo. Se o tampão do óleo estiver solto, pode ocorrer um derrame.

#### Ponto de substituição do óleo 2 <O que fazer em caso de derrame de óleo>

Se o óleo for derramado entre o depósito de combustível e o motor com a Cortadora a Gasolina em funcionamento, o óleo será aspirado através da admissão de ar frio, o que pode causar sujidade. Limpe sempre o óleo derramado antes de utilizar a Cortadora a Gasolina.

#### 2. Abastecimento

##### ⚠ AVISO:

- **Cumpra sempre as instruções seguintes ao abastecer. Caso contrário, poderá causar chamas ou incêndios.**
  - Abasteça afastado das chamas. Além disso, nunca fume nem aproxime qualquer forma de chama ao combustível ou à Cortadora a Gasolina durante o abastecimento.
  - Desligue o motor e deixe-o arrefecer antes de abastecer.
  - Abra sempre o tampão do depósito de combustível lentamente para libertar a pressão interna de forma controlada. O incumprimento disto pode fazer com que o combustível seja projectado devido à pressão interna.
  - Tenha cuidado para não derramar combustível. Em caso de derrame de combustível, limpe minuciosamente.
  - Abasteça num local bem ventilado.
- **Tenha sempre muito cuidado ao lidar com combustível.**
  - Se o combustível entrar em contacto com a pele e/ou os olhos, pode causar uma reacção alérgica e/ou inflamação. Nos casos de reacções alérgicas e/ou inflamações, etc., consulte imediatamente um médico.

##### <Período de armazenamento de combustível>

Normalmente, o combustível guardado num recipiente de combustível adequado, num local à sombra, com boa ventilação, deve ser utilizado no espaço de quatro semanas. Se não for utilizado um recipiente de combustível adequado e/ou se o tampão não for colocado etc. e for verão, o combustível pode deteriorar no espaço de um dia.

##### Armazenar a Cortadora a Gasolina e o recipiente de combustível

- Armazene a Cortadora a Gasolina e o recipiente de combustível afastados da luz solar directa num local fresco.
- Não deixe a Cortadora a Gasolina abastecida com combustível ou o recipiente de combustível dentro de um automóvel ou na mala de um automóvel.

##### <Combustível>

O motor é um motor a quatro tempos, por isso, utilize gasolina (gasolina normal) para ligar o motor.

##### Pontos de combustível

- Não utilize uma mistura de gasolina (óleo do motor misturado com gasolina). Ao fazer isto pode causar a acumulação de carbono e falhas mecânicas.
- A utilização de combustível antigo pode resultar em arranques fracos do motor.

##### <Abastecimento>

Desligue sempre o motor e deixe-o arrefecer antes de abastecer.

##### <Gasolina utilizável> ..... Gasolina

- Desaperte ligeiramente o tampão do depósito de combustível para libertar pressão e, deste modo, equalizar a pressão de ar externo e interno.
- Retire o tampão do depósito de combustível e abasteça. (Não abasteça até ao bocal do depósito.)
- Após o abastecimento, aperte bem o tampão do depósito de combustível.
- O tampão do depósito de combustível é um produto consumível. Por isso, se apresentar desgaste ou outras anormalidades, substitua-o. (O tempo estimado para substituição é a cada dois ou três anos.)



# Funcionamento

## Arranque

### ⚠ AVISO:

Não ligue o motor em locais onde foram efectuados abastecimentos. No mínimo, afasta-se três metros do local onde a Cortadora a Gasolina foi abastecida.

- Caso contrário, poderá causar chamas ou incêndios.

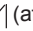
### ⚠ PRECAUÇÃO:

Antes de ligar o motor, certifique-se de que o disco de corte não está em contacto com o solo ou com outro obstáculo qualquer.

- Se o disco de corte estiver em contacto com o solo ou com outro obstáculo, pode causar um acidente.

Assim que o motor arrancar, o disco de corte irá rodar, por isso, preste atenção a pessoas e obstáculos próximos.

### 1. Arranque a frio

- (1) Pressione repetidamente a bomba de escorvamento até o combustível entrar.
- (2) Comute o interruptor na direcção de  (afogador).
- (3) Mantenha a pega traseira em baixo com um pé e segure firmemente a pega tubular com uma mão.
- (4) Puxe vigorosa e repetidamente a pega de arranque até ouvir o primeiro som de arranque.

### Aquecimento

- Assim que o motor arrancar, mantenha a alavanca de segurança em baixo e aperte e solte o acelerador repetidamente durante um ou dois minutos para aquecer o motor.
- Quando a velocidade do motor estiver estabilizada e as rotações aumentam suavemente de baixa velocidade a alta velocidade, o aquecimento está concluído.


### 2. Ligar quando o motor está quente


Pressione a bomba de escorvamento várias vezes. Inicialmente, coloque o interruptor na posição [I] (funcionamento) e ligue o motor através da tarefa (3) do procedimento 1 acima.

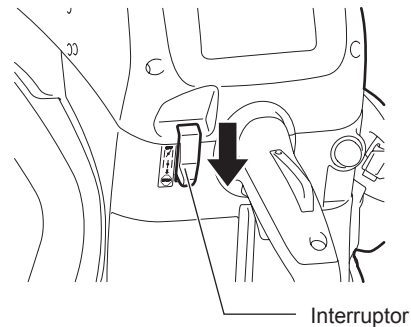
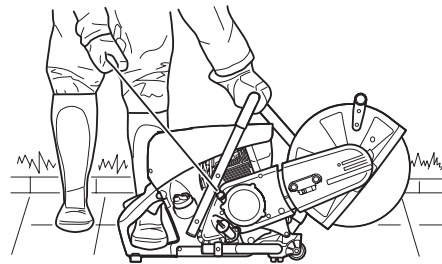
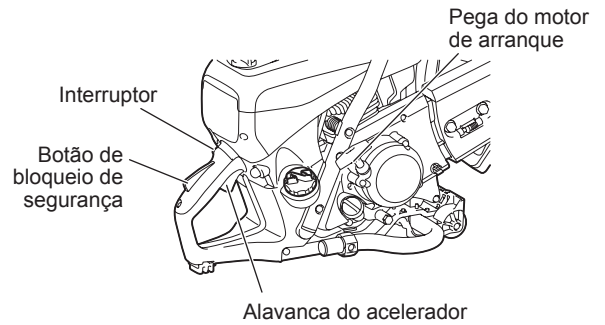
### NOTA:

- Puxar e soltar repetidamente a pega do motor de arranque com o interruptor na posição de afogador irá encharcar o motor com combustível, tornando o arranque difícil.
- Quando o motor desliga, nunca aperte a alavanca do acelerador. Apertar desnecessariamente a alavanca do acelerador com o motor desligado irá encharcar o motor com combustível, tornando o arranque difícil.
- Se o motor ficar encharcado com combustível, retire a vela de ignição e puxe lentamente a pega do motor de arranque várias vezes para retirar o combustível em excesso. Também deverá limpar a secção dos eléctrodos da vela de ignição.
- Não puxe a pega do motor de arranque até ao limite da corda, uma vez que isso encurta a vida útil da corda. Além disso, coloque suavemente a pega do motor de arranque na sua posição sem largá-la repentinamente.
- Evite deixar a Cortadora a Gasolina em funcionamento à velocidade máxima de ralenti, uma vez que isso irá encurtar a vida útil do motor.

### 3. Paragem

Para desligar o motor, solte o acelerador e coloque o interruptor na posição  (Desligar).

Se a alavanca do afogador for movida incorrectamente para a posição  para parar a ferramenta, utilize meio acelerador para reiniciar.



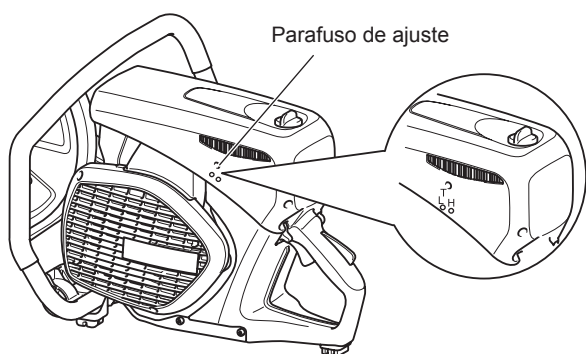
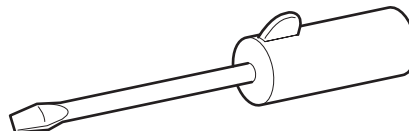


## Regular o carburador



**NOTA:** Este motor está equipado com uma ignição electrónica para limitar a velocidade. O carburador possui também um jacto fixo que não pode ser ajustado. Na fábrica, a velocidade de ralenti pode ser definida para aproximadamente  $2.600 \text{ min}^{-1}$ , mas o processo de rodagem de um novo motor pode exigir um ligeiro ajuste da velocidade de ralenti.

Defina a velocidade de ralenti com uma chave de fendas (largura da lâmina: 4 mm). Uma chave de fendas com uma orelha integrada, fornecida como um acessório opcional, é útil para a regulação.



### 4. Regulação do ralenti

**PRECAUÇÃO:** A regulação do carburador só pode ser efectuada por um centro de assistência especializado da MAKITA!

Não efectue quaisquer regulações nos parafusos de ajuste (H) e (L) sem um taquímetro! Uma regulação incorrecta pode resultar em danos no motor!

É necessário um taquímetro para a regulação dos parafusos de ajuste (H) e (L), porque se o motor trabalhar acima da velocidade máxima nominal, pode sobreaquecer e ficar sem lubrificante. Isto pode danificar o motor!

O utilizador só pode manipular o parafuso de ajuste (T). Se o disco de corte se movimentar ao ralenti (ou seja, sem o acelerador ser premido), é obrigatório corrigir a velocidade de ralenti!

A regulação da velocidade de ralenti só pode ser efectuada quando o motor está quente, com um filtro de ar limpo.

Utilize uma chave de fendas (lâmina de 4 mm) para regulações de ralenti.

## MANUTENÇÃO

### ⚠ PRECAUÇÃO:

- Antes de efectuar qualquer trabalho na Cortadora a Gasolina desligue o motor e deixe-o arrefecer, retire o disco de corte, retire a tampa da vela de ignição e use luvas de protecção!

Efectuar a manutenção directamente após desligar o motor ou com a tampa na vela de ignição, pode causar queimaduras devido ao motor quente ou ferimentos devido a arranques acidentais.

- Ligue a Cortadora a Gasolina apenas após montagem e inspecção completas.
- Nunca utilize gasolina, benzina, diluente, álcool ou semelhante. Podem formar-se descolorações, deformações ou fissuras.

### NOTA:

- Limpe a sujidade da Cortadora a Gasolina e, de seguida, seleccione uma local de trabalho limpo para efectuar a manutenção.





## ASSISTÊNCIA

### IMPORTANTE:

Uma vez que muitas peças e conjuntos não mencionados neste Manual de instruções são cruciais para a segurança da unidade e uma vez que todas as peças estão sujeitas a uma certa quantidade de desgaste, é importante para a sua própria segurança verificar e efectuar a manutenção da unidade regularmente através de um centro de assistência MAKITA.

### IMPORTANTE:



Se o disco de corte partir durante o corte, a Cortadora a Gasolina tem de ser reparada por um centro de assistência MAKITA antes de ser novamente utilizada!

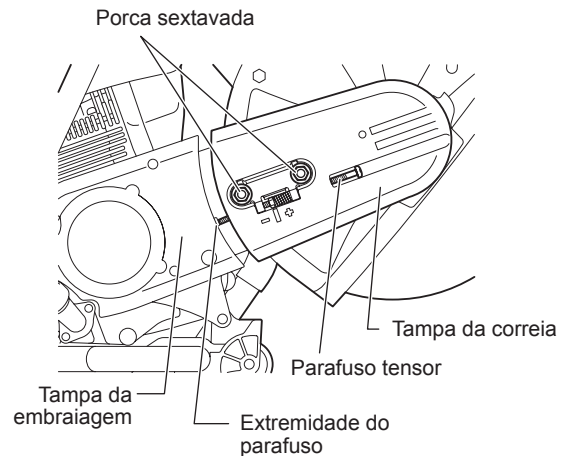
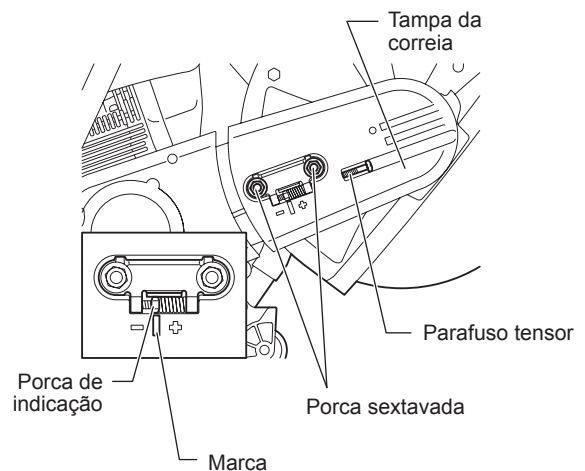
### Correia trapezoidal

#### 1. Ajustar a tensão da correia trapezoidal

- Se o disco de corte parar facilmente a meio do funcionamento significa que a correia trapezoidal tem folga. Se for este o caso, ajuste a tensão através do procedimento seguinte.
- (1) Desaperte as porcas de aperto da tampa da correia.
- (2) Rode o parafuso de ajuste da tensão para a direita até a porca indicadora alcançar a posição assinalada de modo a aumentar a tensão da correia trapezoidal.
- (3) Assim que o ajuste da correia trapezoidal estiver concluído, aperte bem as porcas de aperto da tampa da correia.
- Se o disco de corte parar facilmente mesmo que a tensão da correia trapezoidal tenha sido ajustada ou se a correia trapezoidal partir, substitua por uma correia trapezoidal nova.

#### 2. Substituir a correia trapezoidal

- (1) Desaperte a porca de aperto e rode o parafuso de ajuste da tensão para a esquerda até a extremidade do parafuso ser visível.
- (2) Retire as porcas de aperto e, de seguida, retire a tampa da correia.
- (3) Depois, retire os três parafusos de montagem e retire a tampa da embraiagem.
- (4) Retire a correia trapezoidal antiga e instale uma correia trapezoidal nova. Instale novamente a tampa da embraiagem seguida da tampa da correia.
- (5) Ajuste a tensão conforme mostrado na secção Ajustar a tensão da correia trapezoidal.



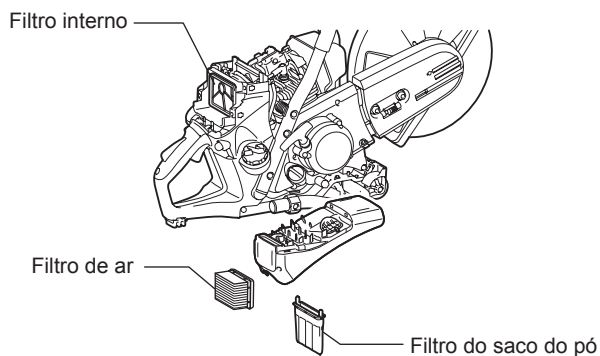
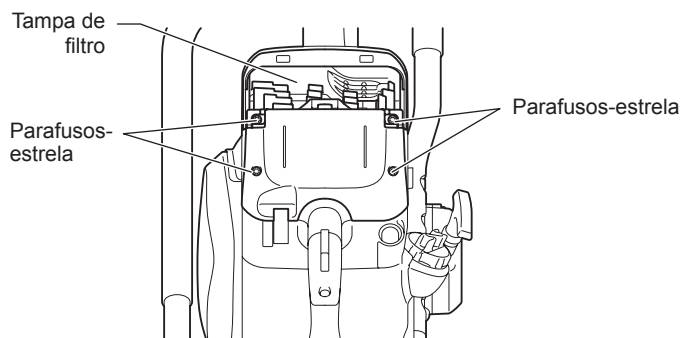
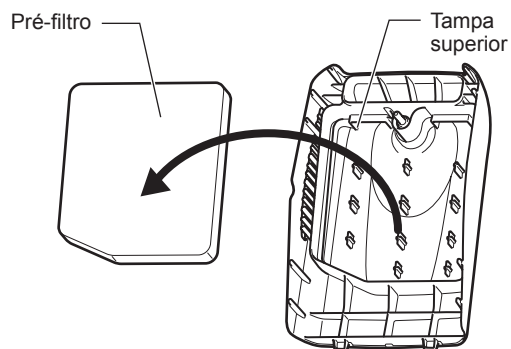
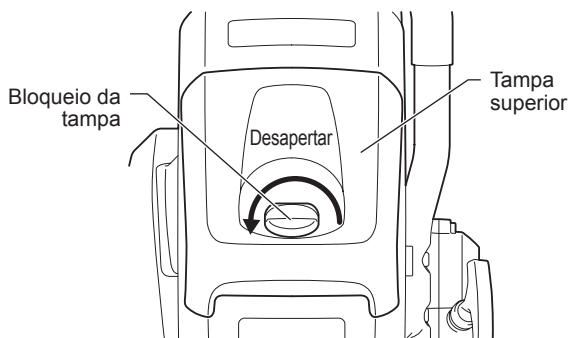
### Limpar a tampa de protecção

Ao longo do tempo, o interior da tampa de protecção pode ficar coberto de resíduos de materiais (especialmente no corte molhado), que se acumularem podem prejudicar a rotação livre do disco de corte. Por esta razão a tampa tem de ser limpa regularmente.

Retire o disco de corte e retire o material acumulado do interior da tampa com uma lamela de madeira ou objecto semelhante. Limpe o veio e todas as peças desmontadas com um pano.

**NOTA:** Para instalar o disco de corte consulte “Instalar o disco de corte”.



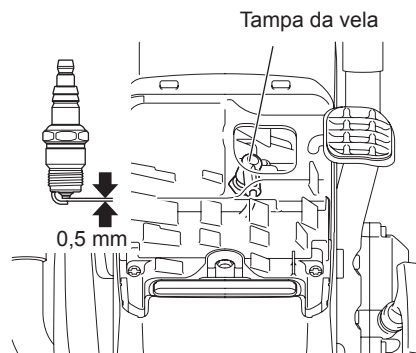
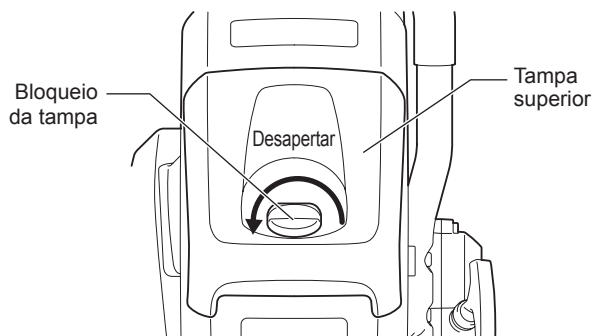


### Limpar/substituir o filtro de ar

- Se o filtro de ar ficar entupido, pode resultar num fraco desempenho do motor. Por isso, após todas as utilizações da Cortadora a Gasolina, certifique-se de que limpa o filtro de ar da forma seguinte.
- Rode o bloqueio da tampa para a esquerda e retire-o.
- Retire a tampa superior após limpar o pó.
- De seguida, retire o pré-filtro.
- Retire os quatro parafusos-estrela.
- Retire a tampa do filtro.
- Retire o filtro de ar.
- Retire o filtro do saco do pó da tampa do filtro e bata e sopra levemente para limpar.
- Bata suavemente no filtro interior e sopra para retirar a sujidade e o pó. Além disso, lave periodicamente o filtro interior em água com sabão e seque minuciosamente.
- Para limpar o filtro de ar, bata suavemente. Se utilizar um compressor de ar, ventile o ar comprimido para o interior do filtro de ar. Não lave o filtro de ar.
- Sopre para retirar o pó dos filtros.
- Instale novamente o filtro de ar na respectiva tampa assim que concluir a limpeza.
- Aperte bem o bloqueio da tampa.

## Manutenção da vela de ignição

- (1) Desaperte o bloqueio da tampa e retire a tampa superior.
- (2) Abra e retire a tampa da vela e retire a vela de ignição.
- (3) Verifique se a folga do eléctrodo é ou não 0,5 mm. Se a folga for demasiado grande ou demasiado pequena, ajuste-a para 0,5 mm.
- (4) Se carbono e/ou sujidade acumularem na vela de ignição, limpe-a e volte a instalá-la. Uma vela de ignição excessivamente gasta ou queimada deve ser substituída por uma nova.
- (5) Após efectuar a manutenção da vela de ignição, instale-a, encaixe a tampa da vela e, de seguida, fixe a tampa da vela.



## Substituir a cabeça de aspiração

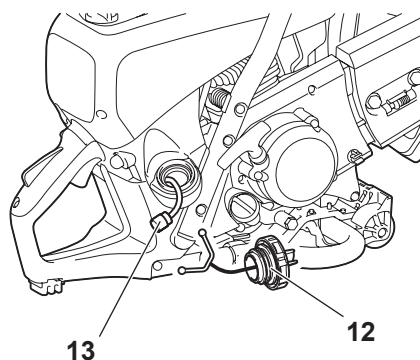
O filtro do depósito de combustível (13) da cabeça de aspiração pode ficar entupido. É aconselhável substituir a cabeça de aspiração a cada três meses de modo a garantir um caudal ininterrupto de combustível para o carburador.

Desaperte o tampão do depósito de combustível (12) e puxe o cabo anti-esquecimento para fora.

Esvazie o depósito de combustível.

Para retirar a cabeça de aspiração para substituição, retire-a através do bocal de enchimento do depósito através de arame dobrado numa extremidade para criar um gancho.

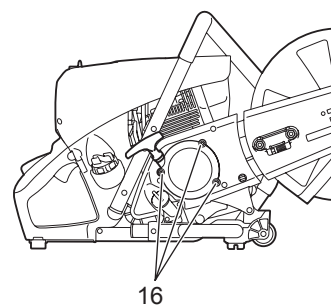
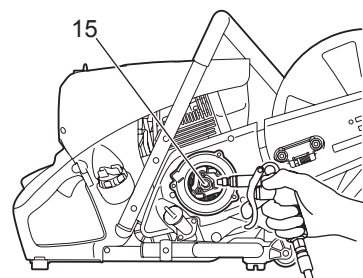
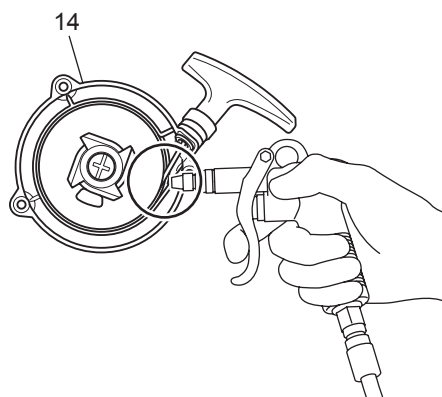
**⚠ PRECAUÇÃO:** Não permita que o combustível entre em contacto com a pele!



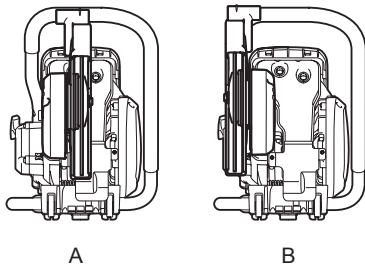
## Limpar o motor de arranque

Quando o motor de arranque não funciona bem, por exemplo, a corda do motor de arranque não regressa à posição inicial, é necessário remover o pó do motor de arranque (14) e da embraiagem (15).

Para limpar o motor de arranque e a embraiagem, remova três parafusos (16) para ter acesso.



Direcção de montagem



## Alterar a posição do acessório de corte (central/lateral)

### Direcção de montagem da tampa

- O acessório de corte da Cortadora a Gasolina está instalado na direcção mostrada na Fig. A. Se pretender, utilize o procedimento seguinte para instalá-lo na direcção mostrada na Fig. B.

### Instalar na direcção B

- (1) Desaperte a porca de aperto e rode o parafuso de ajuste da tensão para a esquerda até a extremidade do parafuso ser visível. (Fig. 1)
  - (2) Retire as porcas de aperto e retire a tampa da correia. (Fig. 1)
  - (3) Rode a tampa para a posição de linha quebrada. Retire a correia trapezoidal e, de seguida, retire o acessório de corte da Cortadora a Gasolina. Reposicione a pega. (Fig. 2)
  - (4) Apanhe o veio de bloqueio com uma chave de fendas ou um alicate. (Fig. 3)
  - (5) Rode o braço até que entre em contacto com a pega e coloque o veio de bloqueio na posição original manualmente. (Fig. 4)
  - (6) Reposicione a pega. (Fig. 5)
  - (7) Vire o acessório de corte removido, passe o parafuso pelo orifício e instale na direcção B. Instale novamente a correia trapezoidal na polia. (Fig. 6)
  - (8) Instale a tampa da correia. (Fig. 7)
- Rode o parafuso de ajuste da tensão para ajustar a tensão da correia trapezoidal. Assim que o ajuste da tensão estiver concluído, aperte bem a porca de aperto.

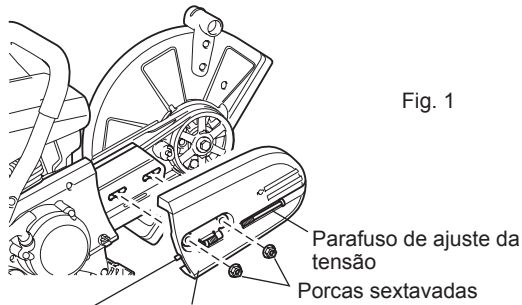


Fig. 1

Extremidade do parafuso Tampa da correia

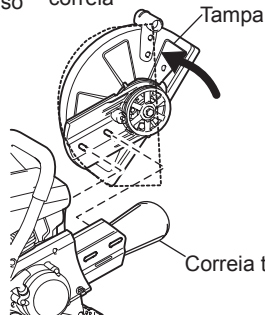


Fig. 2

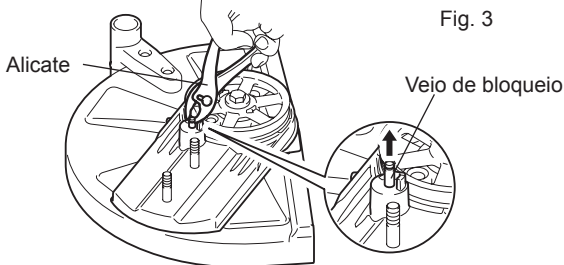


Fig. 3

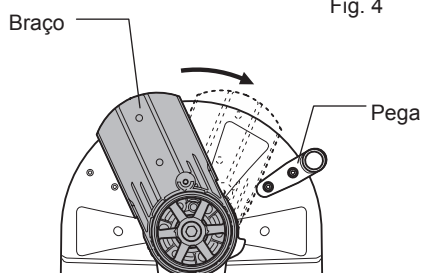


Fig. 4

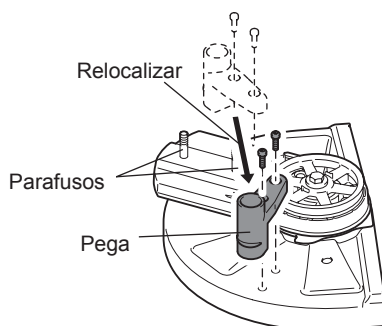


Fig. 5

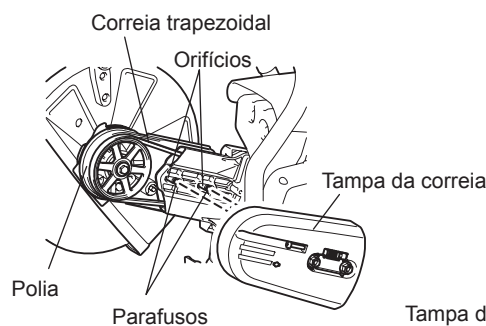


Fig. 6

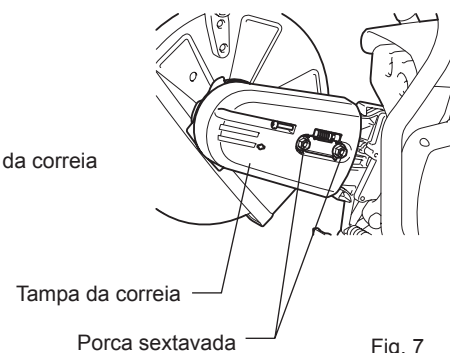


Fig. 7

## ACESSÓRIOS ESPECIAIS

### Discos de corte de diamante

Os discos de corte de diamante MAKITA cumprem os requisitos mais rigorosos a nível de segurança no trabalho, facilidade de utilização e desempenho de corte económico. Podem ser utilizados para cortar todos os materiais **exceto o metal**.

A elevada durabilidade dos grãos de diamante garante um desgaste lento e, por isso, uma longa utilização praticamente sem alteração no diâmetro do disco ao longo da vida útil do mesmo. Isto proporciona um desempenho de corte consistente e poupanças acrescidas. As incríveis qualidades de corte dos discos facilitam o corte.

As placas do disco em metal proporcionam um funcionamento altamente concêntrico para uma vibração mínima durante a utilização.

A utilização dos discos de corte de diamante reduz substancialmente o tempo de corte.

Isto, por sua vez, resulta em custos mais reduzidos de funcionamento (consumo de combustível, desgaste nas peças e danos ambientais).

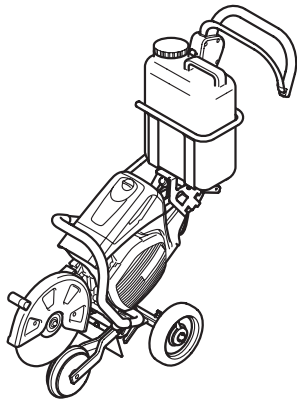
### Carrinho-guia

O carrinho-guia MAKITA facilita imenso os cortes a direito e, ao mesmo tempo, permite trabalhar sem grandes esforços. Pode ser regulado de acordo com a altura do operador e pode ser utilizado com o acessório de corte instalado no centro ou na parte lateral.

Pode ser adicionado um limitador de profundidade para um corte mais fácil e preciso. Torna possível manter uma profundidade de corte pré-determinada e precisa.

Para não levantar muito pó e para um melhor arrefecimento do disco de corte, a MAKITA oferece várias opções para molhar o disco durante o funcionamento.

- Conjunto de carrinho  
Isto é útil para cortes nas bermas da estrada
- Conjunto de filtros  
Pré-filtro (5 filtros)  
Filtro de ar (1 filtro)  
Filtro do saco do pó (1 filtro)



### Depósito de água (o componente do carrinho)

O depósito de água foi concebido para ser instalado no carrinho-guia.

A sua alta capacidade torna-o adequado para as situações que envolvem mudanças frequentes de local. Para encher ou para uma mudança rápida para os depósitos de reserva, o depósito pode ser simplesmente retirado do carrinho.

O depósito de água vem equipado com todas as ligações e tubos flexíveis necessários. Instalar no carrinho e na Cortadora a Gasolina é muito rápido e simples.

### Sistema de água pressurizada/de rede

O sistema de água pressurizada/de rede está concebido para ser instalado na Cortadora a Gasolina. Pode ser utilizado com ou sem o carrinho, mas é particularmente adequado para aplicações que envolvem um corte manual numa posição imóvel. A linha de água tem um ligação de libertação rápida e pode ser alimentada por uma alimentação de rede ou a partir de um depósito de pressão (7).

O sistema de água vem equipado com todas as ligações e linhas necessárias. Pode ser rápida e facilmente instalado na Cortadora a Gasolina.



## Tabela de manutenção

Item	Tempo de funcionamento									P correspondente
		Antes do funcionamento	Após reabastecer	Diária (10h)	20h	30h	50h	200h	Antes de armazenar	
Óleo do motor	Inspeccione/limpe	○								170
	Substitua					○*1				
Peças de aperto (parafuso, porca)	Inspeccione	○								—
Depósito de combustível	Limpe/inspeccione	○								—
	Drenar o combustível								○*3	165
Correia trapezoidal	Inspeccione/ajuste	○								174
Alavanca do acelerador	Verifique função		○							—
Botão Stop	Verifique função		○							172
Disco de corte	Inspeccione	○		○						162
Ralenti	Inspeccione/ajuste			○						173
Filtro de ar	Limpe						○			175
Filtro do saco do pó	Limpe/substitua				○					175
Pré-filtro	Limpe/substitua			○						175
Vela de ignição	Inspeccione			○						176
Passagem de ar de refrigeração e alhetas do cilindro	Limpe/inspeccione			○						—
Tubo de combustível	Inspeccione			○						—
	Substitua							◎*2		—
Filtro de combustível	Limpe/substitua						○			176
Folga das válvulas (válvula de admissão e válvula de escape)	Inspeccione/ajuste							◎*2		—
Carburador	Drenar o combustível								○*3	165

\*1 Efectue a substituição inicial após 20 horas de funcionamento.

\*2 Para a inspeção de 200 horas de funcionamento, contacte o Agente de Serviço Autorizado ou loja da máquina.

\*3 Após esvaziar o depósito de combustível, mantenha o motor ligado e drene combustível para o carburador.

## Identificação de falhas

Avaria	Sistema	Observação	Causa
O disco de corte não roda	Embraiagem	O motor liga	Danos na embraiagem
O motor não arranca ou arranca com dificuldade	Sistema de ignição	Ignição por vela O.K. Sem ignição por vela	Avaria no fornecimento de combustível ou sistema de compressão, defeito mecânico Funcionamento através do botão STOP, avaria na cablagem ou curto-circuito, vela de ignição ou conector defeituoso, módulo de ignição avariado
	Fornecimento de combustível	Depósito de combustível enchido	Posição do afogador incorrecta, carburador defeituoso, linha de fornecimento do combustível dobrada ou bloqueada, combustível sujo
	Sistema de compressão	Sem compressão quando parada	Junta da cabeça do cilindro defeituosa, vedantes da cambota danificados, cilindro ou segmentos do pistão defeituosos ou vedação inadequada da vela de ignição
	Avaria mecânica	Dispositivo de arranque não engrenado	Mola do dispositivo de arranque partida, peças partidas dentro do motor
	Embraiagem	Sujidade adere à embraiagem e partes envolventes	Mola de roquete contaminada aberta, efectuar limpeza
Problemas no arranque a quente	Carburador	Depósito cheio, vela de ignição existente	Carburador contaminado, limpe-o
O motor arranca, mas morre imediatamente	Fornecimento de combustível	Depósito cheio	Ajuste de marcha lenta incorrecto, cabeça de sucção ou carburador contaminado Ventilação do depósito de combustível defeituosa, linha de fornecimento de combustível interrompida, cabo ou botão STOP avariado
Desempenho insuficiente	Vários sistemas podem estar afectados em simultâneo	Marcha lenta do motor fraca	Filtro de ar contaminado, carburador contaminado, silenciador entupido, conduta de escape no cilindro entupida

## Detecção de avarias

Antes de efectuar um pedido para reparações, verifique você mesmo o problema. Se encontrar uma anomalia, controle a máquina de acordo com a descrição neste manual. Nunca altere nem desmonte qualquer peça contrária à descrição. Para reparações, contacte o Agente de Serviço Autorizado ou concessionário local.

Estado de anomalia	Causa provável (avaria)	Solução
O motor não arranca	Falha ao operar a bomba de descarga	Empurre 7 a 10 vezes
	Velocidade de puxo baixa da corda de arranque	Puxe com força
	Falta de combustível	Forneça combustível
	Filtro de combustível obstruído	Limpe
	Tubo de combustível quebrado	Endireite o tubo de combustível
	Combustível deteriorado	O combustível deteriorado torna o arranque mais difícil. Substitua por combustível novo. (Recomendado substituição: 1 mês)
	Aspiração excessiva de combustível	Regule a alavanca do acelerador de velocidade média para velocidade elevada e puxe a pega de arranque até o motor arrancar. Assim que o motor arrancar, o disco de corte começa a rodar. Preste muita atenção ao disco de corte. Se mesmo assim o motor não pegar, retire a vela de ignição, seque o eléctrodo e monte-os da forma original. De seguida, ligue como especificado.
	Tampa da vela desencaixada	Encaixe bem
	Vela de ignição contaminada	Limpe
	Folga anómala da vela de ignição	Ajuste a folga
	Outra anomalia da vela de ignição	Substitua
	Carburador anómalo	Peça uma inspecção e manutenção.
	A corda de arranque não pode ser puxada	Peça uma inspecção e manutenção.
	Sistema de accionamento anómalo	Peça uma inspecção e manutenção.
Embraiagem suja e partes envolventes	Limpe	
O motor pára rapidamente A velocidade do motor não aumenta	Aquecimento insuficiente	Execute a operação de aquecimento
	A alavanca do afogador está regulada para "H" apesar do motor estar quente.	Defina para "LIGAR III"
	Filtro de combustível obstruído	Limpe
	Filtro de ar contaminado ou obstruído	Limpe
	Carburador anómalo	Peça uma inspecção e manutenção.
	Sistema de accionamento anómalo	Peça uma inspecção e manutenção.
O disco de corte não roda ↓ Pare o motor imediatamente	Disco de corte-parafuso de aperto desapertados	Aperte bem
	Sistema de accionamento anómalo	Peça uma inspecção e manutenção.
A unidade principal vibra de forma anómala ↓ Pare o motor imediatamente	Disco de corte quebrado, dobrado ou gasto	Substitua a lâmina de corte
	Disco de corte-parafuso de aperto desapertados	Aperte bem
	Sistema de accionamento anómalo	Peça uma inspecção e manutenção.
O disco de corte não pára imediatamente ↓ Pare o motor imediatamente	Rotação a marcha rápida	Ajuste
	Ligação de acelerador desencaixada	Peça uma inspecção e manutenção.
	Sistema de accionamento anómalo	Peça uma inspecção e manutenção.
O motor não pára ↓ Coloque o motor em marcha lenta e regule a alavanca do afogador para "H"	Conector desencaixado	Encaixe bem
	Sistema eléctrico anómalo	Peça uma inspecção e manutenção.

Quando o motor não arranca após a operação de aquecimento:

Se não encontrar nenhuma anomalia nos itens de verificação, abra o acelerador cerca de 1/3 e ligue o motor.

## Armazenamento

### AVISO:

**Ao purgar o combustível, desligue sempre o motor, deixe-o arrefecer e, de seguida, purgue o combustível.**

- Purgar o combustível directamente após desligar o motor pode causar chamas ou incêndios, o que pode causar queimaduras.

### PRECAUÇÃO:

**Se a Cortadora a Gasolina não for utilizada durante um período longo, purgue todo o combustível e armazene a Cortadora a Gasolina num local seco e limpo.**

- Utilize os procedimentos seguintes para purgar o combustível do depósito de combustível e do carburador.
  - (1) Retire o tampão do depósito de combustível, purgue o combustível até o depósito estar vazio.  
A este ponto, verifique se existem substâncias estranhas no interior do depósito de combustível. Se sim, retire-as.
  - (2) Utilize um arame, etc., para retirar o filtro de combustível a partir do bocal do depósito.
  - (3) Pressione a bomba de escorvamento até todo o combustível ser forçado novamente para dentro do depósito de combustível e, de seguida, certifique-se de que limpa este combustível do depósito de combustível.
  - (4) Coloque o filtro de combustível na sua posição no depósito de combustível e, de seguida, aperte o tampão do depósito de combustível.
  - (5) Por fim, ligue o motor até este se desligar.
  - (6) Retire a vela de ignição e purgue as poucas gotas de óleo do motor do orifício.
  - (7) Puxe lentamente a pega do motor de arranque, para circular óleo pelo motor e, de seguida, instale a vela de ignição.
  - (8) Coloque o óleo purgado num recipiente adequado e armazene num local à sombra e bem ventilado.

**Tak fordi du købte et MAKITA-produkt!**

Tillykke med valget af en MAKITA-skæremaskine! Vi er sikre på, at du vil blive meget tilfreds med dette moderne stykke udstyr.

Vi ønsker, at du bliver tilfreds med dit MAKITA-produkt.

For at kunne garantere en optimal funktion og ydelse af din nye skæremaskine, og for at du altid kan arbejde sikkert, beder vi dig om at gøre følgende:

**Læs denne brugsanvisning grundigt igennem inden skæremaskinen tages i brug første gang og overhold altid sikkerhedsreglerne! Hvis disse forholdsregler ikke overholdes, kan det medføre alvorlig personskade eller dødsfald!**



**Kun for lande i Europa**

**EF-overensstemmelseserklæring**

**Vi, Makita Corporation, erklærer som ansvarlig producent at følgende Makita-maskine(r):**

Maskinens betegnelse: Skæremaskine  
 Modelnummer/type: EK7650H, EK7651H  
 Specifikationer: se skemaet "Tekniske data".  
 er en produktionsserie og

**Overholder følgende europæiske direktiver:**

2000/14/EF, 2006/42/EF

Og er produceret i overensstemmelse med følgende standarder eller standardiserede dokumenter:

EN ISO 19432

Den tekniske dokumentation findes hos vores autoriserede repræsentant i Europa:

Makita International Europe Ltd.,

Michigan Drive, Tongwell,

Milton Keynes, Bucks MK15 8JD, England

Den konformitetsvurderingsprocedure, der kræves af Direktiv 2000/14/EF, blev udført i henhold til appendiks V.

Målt lydeffektniveau: 113 dB (A)

Garanteret lydeffektniveau: 114 dB (A)

14. 1. 2011

Tomoyasu Kato  
 Direktør

Makita Corporation  
 3-11-8, Sumiyoshi-cho,  
 Anjo, Aichi, 446-8502, JAPAN

Indholdsfortegnelse	Side
<b>Indpakning</b> .....	184
<b>Leveringsomfang</b> .....	185
<b>Symboler</b> .....	185
<b>SIKKERHEDSFORHOLDSREGLER</b> .....	186
Generelle forholdsregler .....	186
Sikkerhedsudstyr .....	186
Brændstof/Påfyldning af brændstof .....	187
Anvendelse .....	187
Skæreskiver .....	188
Tilbagekast og indtrækning .....	189
Arbejdsmetoder og -teknik .....	189
Skæring i metaller .....	190
Skæring af murværk og beton .....	190
Transport og opbevaring .....	191
Vedligeholdelse .....	192
Førstehjælp .....	192
<b>Tekniske data</b> .....	193
<b>Delenes betegnelser</b> .....	194
<b>ANVENDELSE</b> .....	195
Montering af skæreskiven .....	195
Spænding af kileremmen / kontrol af kileremsspænding .....	196
Inden anvendelse .....	196
<b>Betjening</b> .....	198
Start af maskinen .....	198
<b>Justering af karburatoren</b> .....	199
<b>VEDLIGEHOLDELSE</b> .....	199
Kilerem .....	200
Rengøring af beskyttelsesskærmen .....	200
Rengøring/udskiftning af luftfilteret .....	201
Vedligeholdelse af tændrør .....	202
Udskiftning af sugehovedet .....	202
Rengøring af starteren .....	203
Ændring af skæreværktøjets position (midten/siden) .....	204
<b>SPECIELT TILBEHØR</b> .....	205
Diamantskæreskiver .....	205
Styrevogn .....	205
Vandtank (styrevognskomponent) .....	205
Vandlednings-/trykvandssystem .....	205
<b>Vedligeholdelseskema</b> .....	206
<b>Lokalisering af fejl</b> .....	207
<b>Fejlfinding</b> .....	208
<b>Opbevaring</b> .....	209

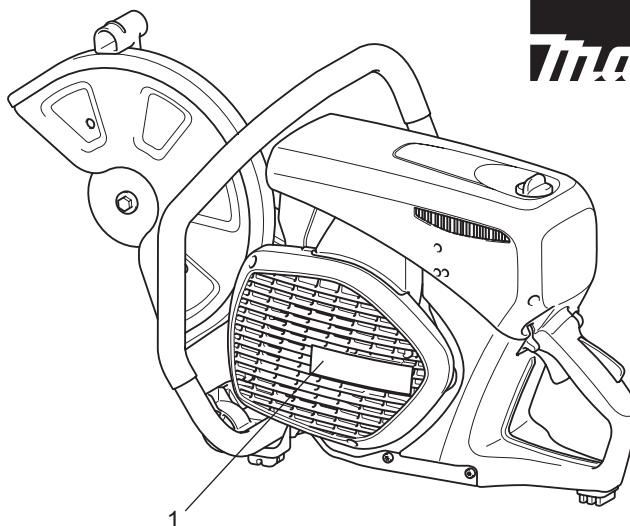
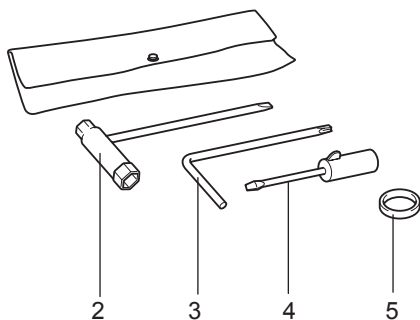
**Indpakning**

Din MAKITA-skæremaskine er pakket ned i en papkasse for at undgå transportskader.

Pap er et basalt råmateriale og kan derfor bruges igen eller afleveres til genbrug (genbrug af papiraffald).



## Leveringsomfang



1. Skæremaskine
2. 13/19 AF kombinøgle
3. Stjerneformet skiftenøgle
4. Skruetrækker til karburatorjustering
5. Adapterring (maskiner til visse lande behøver muligvis ikke denne ring.)
6. Brugsanvisning (ikke vist)

Såfremt en af de her viste dele mangler ved leveringen, beder vi dig henvende dig til din lokale forhandler.

## Symboler

Du vil på saven og i brugsanvisningen støde på følgende symboler:

	Læs brugsanvisningen og overhold advarsels- og sikkerhedsforholdsreglerne!		Skæreskivemål
	Vær særlig forsigtig og opmærksom!		Manuel start af motor
	Forbudt!		Stop motor!
	Bær beskyttelsehjelm, øjen- og høreværn og åndedrætsværn!		Advarsel! Tilbageslag!
	Bær arbejdshandsker!		Brændstof (Benzin)
	Rygning forbudt!		Førstehjælp
	Ingen åben ild!		Genanvendelse
	Skæreskivens rotationsretning		CE-mærke
	<b>⚠ ADVARSEL:</b> Den maksimale periferiske hastighed på skæreskiven er 80 m/s!		

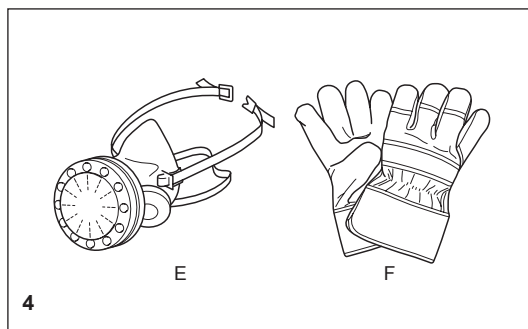
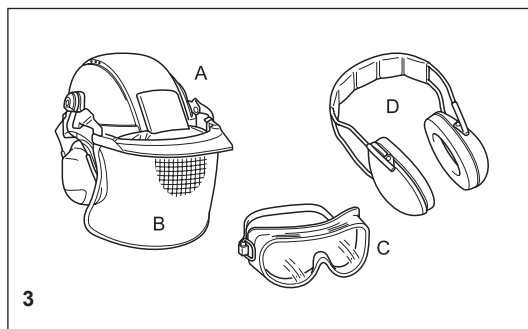
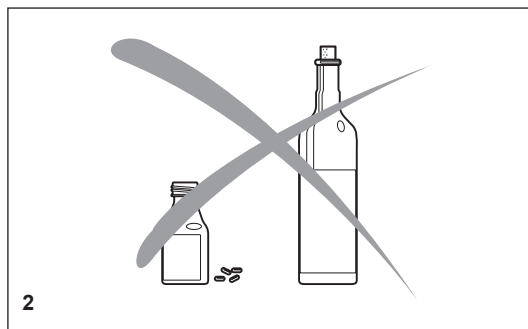
# SIKKERHEDSFORHOLDSREGLER

## Generelle forholdsregler

- Brugeren **SKAL** læse den brugsanvisning for at sikre sikker anvendelse (også selvom du allerede har erfaring med skæremaskiner). Det er vigtigt at være bekendt med anvendelsen af denne særlige skæremaskine. Brugere, som ikke kender tilstrækkeligt til anvendelsen, er til fare for dem selv og andre pga. forkert håndtering af saven.
- Lad kun personer som har erfaring med brug af skæremaskiner arbejde med denne maskine. Når du lader en anden person anvende skæremaskinen, skal denne brugsanvisning leveres sammen med maskinen.
- Førstegangsbrugere bør bede en specialist om at instruere dem i, hvordan man arbejder med benzindrevne skæremaskiner.
- Børn og personer under 18 år må ikke få lov til at anvende denne skæremaskine. Personer over 16 må anvende skæremaskinen til uddannelsesformål så længe de er under opsyn af en kvalificeret underviser.
- Det kræver stor koncentration at arbejde med en skæremaskine.
- Anvend kun skæremaskinen hvis du er i god fysisk form. Hvis du er træt, reduceres din koncentrationsevne. Pas især på sidst på arbejdsdagen. Udfør alt arbejde roligt og forsigtigt. Brugeren har ansvaret for andre.
- Arbejd aldrig under påvirkning af spiritus, stoffer, medikamenter eller andre midler, som kan have indflydelse på synet, behændigheden eller dømmekraften.
- Der skal være en ildslukker til rådighed i nærheden.
- Der må kun skæres i asbest og andre materialer, der kan frigøre giftige stoffer, når der er truffet de nødvendige forholdsregler, og efter det meldt til de rette myndigheder og foregår under deres eller en tilfornordnet persons opsyn.

## Sikkerhedsudstyr

- For at forhindre skader på hoved, øjne, hænder eller fødder såvel som for beskyttelse af hørelsen, skal det nedenfor anførte sikkerhedsudstyr benyttes under arbejdet med skæremaskinen:
- Beklædningen skal være hensigtsmæssig, dvs. tætsiddende, men ikke hindrende. Bær ikke beklædning hvori der kan samle sig materialerester (bukser med opslag, jakker eller bukser med åbentstående lommer mv.), især ikke ved skæring i metal.
- Bær ikke smykker eller beklædning der kan blive trukket med ind, eller som afleder brugerens opmærksomhed fra skæremaskinen.
- Det er nødvendigt at anvende en beskyttelseshjelm under arbejdet med skæremaskinen. **Beskyttelseshjelmen** (A) skal med jævne mellemrum efterses for skader og skal udskiftes mindst hvert 5 år. Brug kun godkendte beskyttelseshjelme.
- Hjelmens **visir** (B) beskytter ansigtet mod støv og materialerester. Anvend altid **beskyttelsesbriller** (C) eller visir ved anvendelse af skæremaskinen for at forhindre øjen- eller ansigtsskader.
- For at forhindre høreskader skal der altid anvendes passende **hørevern** (almindelige høreværn (D), ørepropper osv.). Oktavbåndsanalyse efter anmodning.
- Ved tørskæring af støvdannende materialer som fx sten eller beton skal der altid anvendes godkendt **åndedrætsværn** (E).
- **Arbejdshandsker** (F) af kraftig læder er en del af den påkrævede arbejdsbeklædning ved arbejde med skæremaskinen, og de skal altid anvendes under arbejdet med skæremaskinen.





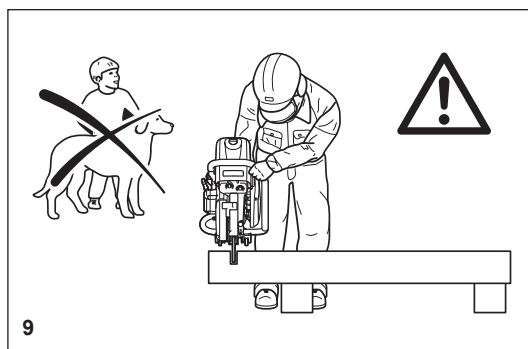
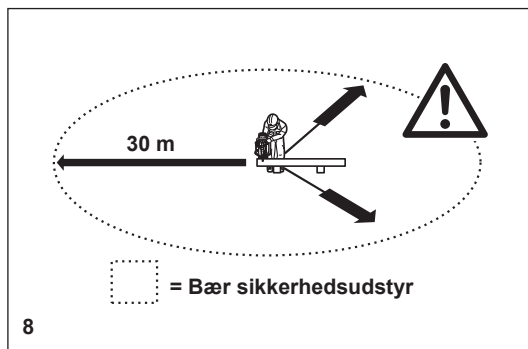
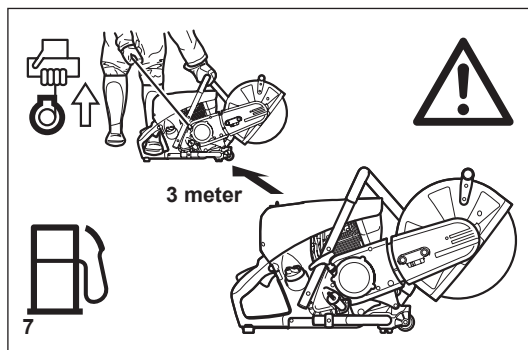
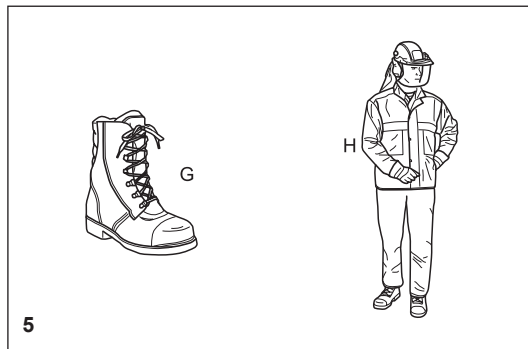
- Anvend altid **sikkerhedssko eller -støvler** (G) med stålkappe, skridsikre såler og benbeskyttere under arbejde med skæremaskinen. Sikkerhedssko udstyret med et beskyttelseslag yder beskyttelse mod snitskader samt sikrer godt fodfæste.
- Bær altid **arbejdstøj** (H) af kraftigt materiale.

### Brændstof/Påfyldning af brændstof

- Gå hen til et sikkert, plant sted inden påfyldning af brændstof. **Påfyld aldrig brændstof på et stillads, oven på en bunke materialer eller lignende.**
- Sluk motoren før der fyldes brændstof på skæremaskinen.
- Undgå rygning eller arbejde i nærheden af åben ild (6).
- Lad motoren køle af inden påfyldning af brændstof.
- Brændstoffer kan indeholde substanser, der minder om opløsningsmidler. Øjne og hud bør ikke komme i kontakt med mineralske olieprodukter. Anvend altid beskyttelseshandsker under påfyldning (ikke almindelige arbejdshandsker!). Rengør og udskift beskyttelsestøj jævnligt. Indånd ikke brændstofdampe. Indånding af brændstofdampe kan være farligt for dit helbred.
- Undgå at spilde brændstof. Hvis der spildes, skal skæremaskinen straks tørres af. Sørg for, at der ikke kommer brændstof på tøjet. Hvis der kommer brændstof på tøjet, skal du straks skifte tøj.
- Sørg for, at der ikke siver brændstof ned i jorden (miljøbeskyttelse). Benyt et passende underlag.
- Påfyldning af brændstof er ikke tilladt i lukkede rum. Der ophobes brændstofdampe nær gulvet (eksplosionsfare).
- Sørg for at stramme skruedækslet på brændstoftanken.
- Flyt skæremaskinen til et sted mindst 3 meter væk påfyldningsstedet, før motoren startes (7), men ikke inden for skæreskivens udvidede svingområde (gnistretning).
- Brændstof kan ikke opbevares i en ubegrænset tidsperiode. Køb kun så meget, som skal bruges inden for et overskueligt tidsrum.
- Anvend kun godkendte og afmærkede beholdere til transport og opbevaring af brændstof.
- **Opbevar brændstof uden for børns rækkevidde!**

### Anvendelse

- **Arbejd ikke alene. Der skal være nogen i nærheden i tilfælde af, at der opstår problemer (inden for hørevidde).**
- Overhold alle støjbestemmelser ved arbejde i beboelsesområder.
- **Skæremaskinen må aldrig anvendes i nærheden af brændbare materialer eller eksplosive gasser! Der kan dannes gnister ved brug af skæremaskinen, hvilket kan medføre brand eller eksplosion!**
- Sørg for at alle personer, der opholder sig inden for 30 m fra arbejdsstedet, f.eks. andre arbejdere, bærer sikkerhedsudstyr (se "Sikkerhedsudstyr") (8). Børn og andre personer uden tilknytning til arbejdet skal holde en afstand på mindst 30 meter til arbejdsstedet. Hold også øje med dyr (9).
- **Før arbejdet med skæremaskinen begynder, skal man kontrollere, at den fungerer ordentligt og er i forskriftmæssig og driftssikker tilstand.** Kontroller især at skæreskiven er i en god tilstand (skæreskiver der har brud, er beskadiget eller bøjet skal udskiftes øjeblikkeligt), at skæreskiven er monteret korrekt, at beskyttelsesskærmen er låst på plads, at håndafskærmningen er ordentligt monteret, at kileremsspændingen er korrekt, at gashåndtaget går let og at håndtagene er rene og tørre samt at kombiafbryderen fungerer ordentligt.
- Start kun skæremaskinen når den er fuldstændig samlet og efterset. Anvend aldrig skæremaskinen, hvis den ikke er fuldstændig samlet.



## Skæreskiver

- **Beskyttelsesskærmen skal altid være påmonteret! Der må kun skiftes skæreskiver, når motoren er slukket!**
- Der findes to basistyper af skæreskiver:
  - Til metal (varmskæring)
  - Til murværk (koldskæring)

### BEMÆRK:

Når du anvender diamantskæreskiver, skal du altid være opmærksom på mærkerne for "rotationsretning". Diamantskæreskiver bør kun anvendes til skæring af murværk/mursten/beton osv.

- Skæreskiver er kun beregnet radial belastning, dvs. til skæring. Siderne af skæreskiven må ikke bruges til at slibe med! Dette vil medføre brud på skiven (10)!

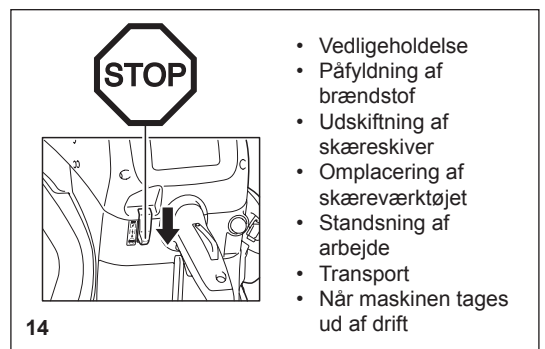
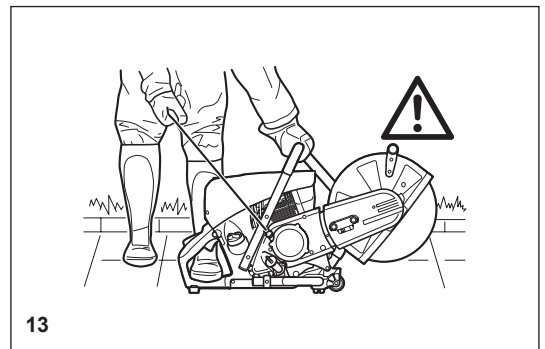
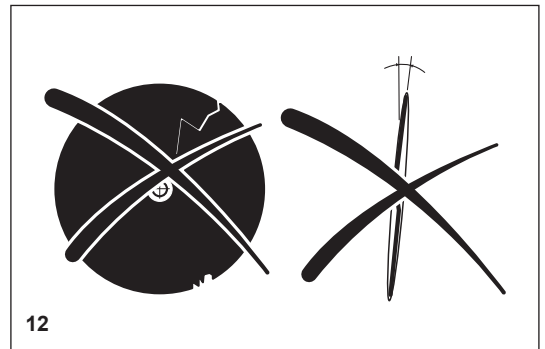
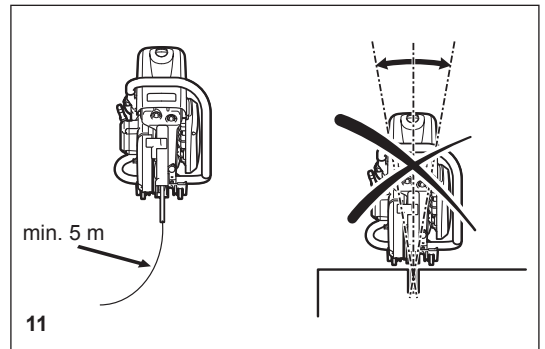
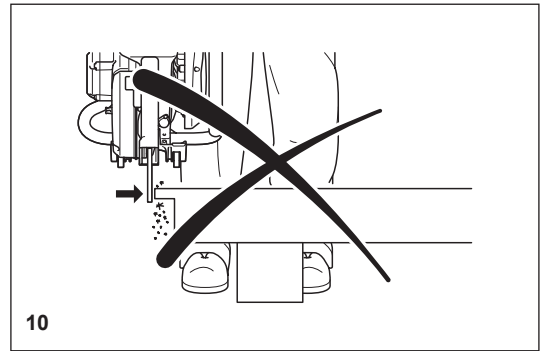
### ⚠ FORSIGTIG:

**Du må aldrig ændre retningen (drejeradius mindre end 5 meter), trykke fra siden (tværgående tryk) eller hælde skæremaskinen til siden under skæring (11)!**

- Skæreskiver må kun anvendes til skæring i de tilsigtede materialer. Der skal anvendes en skivetype, der passer til enten metaller eller murværk.
- Akselhullet (boringen) i skæreskiven skal passe nøjagtigt til akslen. Hvis akselhullet er større end akseldiameteren, skal der anvendes en adapterring (tilbehør).
- Brug kun skæreskiver som er godkendt af DSA (German Abrasive Disc Committee) eller tilsvarende organisation til frihåndsskæring på op til 4.370 o/min. (= 80 m/sek. i periferien) for diske på 14"/355 mm, eller op til 5.100 o/min. (= 80 m/sek. i periferien) for diske på 12"/300 mm.
- Disken skal være fri for fejl (12). Brug ikke defekte skæreskiver.

**Spænd altid skæreskivens monteringsbolt med et moment på 30 Nm. Ellers kan skæreskiven blive fordrejet.**

- Sørg for at have et ordentligt fodfæste inden du starter skæreskiven.
- Skæremaskinen må kun startes, som det er beskrevet i denne brugsanvisning (13). Sæt altid venstre fod ind i det bagerste håndtag og tag godt fat om det andet håndtag (med tommelfingeren og de andre fingre). Det er ikke tilladt at starte den på andre måder.
- Når skæremaskinen startes, skal den være godt understøttet og holdt godt fast. Skæreskiven må ikke være i kontakt med noget.
- Hvis skæreskiven er ny, skal den testkøres i mindst 60 sekunder ved maksimal hastighed. Når du udfører dette, skal du sørge for, at der ikke er nogen personer eller kropsdele inden for det udvidede svingområde i tilfælde af, at skiven er defekt og rives fra hinanden.
- **Hold altid på skæremaskinen med begge hænder under arbejdet.** Hold om det bagerste håndtag med højre hånd og om bøjlehåndtaget med venstre hånd. Hold godt fast om håndtagene med tommelfingrene pegene mod fingrene.
- **FORSIGTIG: Når du slippes gashåndtaget, fortsætter skæreskiven med at køre rundt et kort stykke tid (friløbseffekt).**
- Sørg for altid at have et solidt fodfæste.
- Hold skæremaskinen sådan, at du ikke indånder udstødningsgassen. Arbejd ikke i lukkede rum eller i dybe huller eller grøfter (fare for forgiftning på grund af dampe).
- **Sluk straks for skæremaskinen, hvis du bemærker ændringer i driften.**
- **Sluk for motoren inden du efterser kileremsspændingen eller strammer den, udskifter skæreskiven, omplacerer skæreværktøjet (side- eller midterposition) eller udbedrer fejl (14).**
- Sluk straks for motoren og kontroller skæreskiven, hvis du hører eller mærker en ændring i skærefunktionen.
- Sluk for skæremaskinen, når du tager en pause eller standser arbejdet (14). Placer enheden på en sådan måde, at skæreskiven ikke er i berøring med noget og ikke er til fare for nogen.
- Læg ikke en meget varm skæremaskine ned på tørt græs eller andre brændbare genstande. Lyddæmperen er meget varm (brandfare).
- **VIGTIGT:** Efter vådskæring skal der først slukkes for vandtilførslen, og derefter skal skiven køre videre i mindst 30 sekunder for at slynge det resterende vand af og forhindre korrosion.

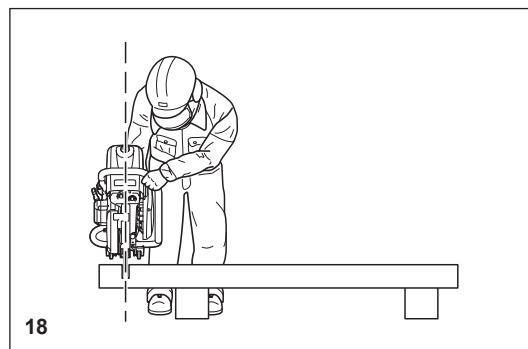
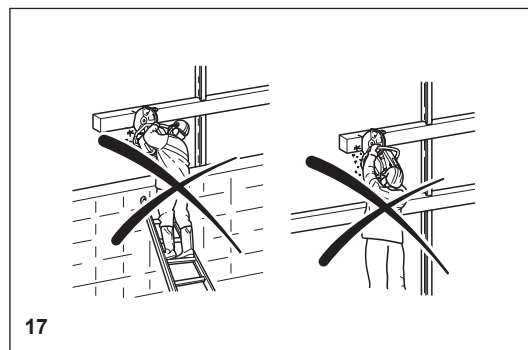
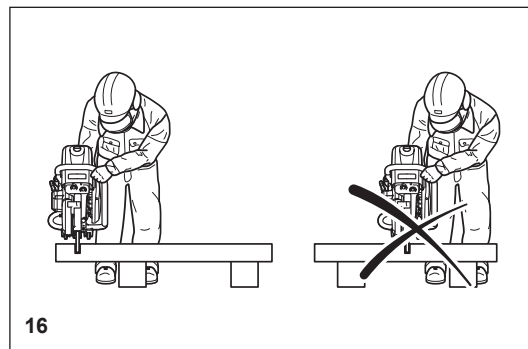
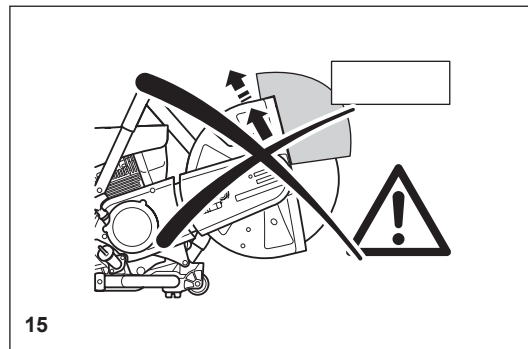


## Tilbagekast og indtrækning

- Der er fare for tilbagekast og indtrækning under arbejdet med skæremaskinen.
- Tilbageslag opstår, når det øverste område af skæreskiven anvendes til skæring (15).
- Dette bevirker, at skæremaskinen kastes ukontrolleret tilbage mod brugeren med stor kraft. **Risiko for tilskadekomst!**  
**Vær opmærksom på følgende for at forhindre tilbagekast:**
- Skær aldrig med det område af skæreskiven, der er vist på figur 15.  
**Vær især forsigtig når skæreskiven indsættes i snit, der allerede er påbegyndt!**
- Der kan ske indtræk, hvis skærestedet snævrer ind (revne, eller emnet står under spænd).
- Dette får skæremaskinen til pludselig at blive kastet ukontrolleret fremad med stor kraft. **Risiko for tilskadekomst!**  
**Vær opmærksom på følgende for at forhindre indtrækning:**
- Når skæreskiven indsættes i påbegyndte snit, skal skæremaskinen køre med maksimal hastighed. Skær altid med maksimal hastighed.
- Understøt altid arbejdsområdet så snittet er under spænd (16), og snittet ikke trykkes sammen og klemmer skæreskiven under skæringen af materialet.
- Når du begynder på et snit, skal skæreskiven placeres forsigtigt på arbejdsområdet. Skæreskiven må ikke bare skubbes ind i materialet.
- Skær aldrig mere end et arbejdsområde ad gangen! Sørg for at skæreskiven ikke kommer i kontakt med noget andet arbejdsområde.

## Arbejdsmetoder og -teknik

- Før arbejdet påbegyndes, skal arbejdsområdet gås efter for eventuelle farer (elektriske kabler, letantændelige stoffer). Afmærk arbejdsområdet tydeligt (opstil f.eks. advarselsskilte eller spær området af).
- Hold fast på skæremaskinen under arbejdet med et fast greb om forreste og bageste håndtag. Skæremaskinen må aldrig køre uden opsyn!
- Skæremaskinen skal så vidt muligt køre ved den normerede akselhastighed (se "Tekniske data").
- Anvend kun skæremaskinen under gode lys- og sigtforhold.  
Vær opmærksom på glatte eller våde områder, samt på om der er is eller sne (risiko for at glide).
- Arbejd aldrig på ustabile overflader. Vær opmærksom på hindringer i arbejdsområdet og snublefare. Sørg altid for at have et solidt fodfæste.
- Skær aldrig over skulderhøjde (17).
- Skær aldrig mens du står på en stige (17).
- Brug aldrig skæremaskinen mens du står på et stillads.
- Bøj dig ikke for meget forover under arbejdet. Bøj altid i knæene, når du sætter skæremaskinen fra dig eller tager den op. Bøj ikke dig forover i stedet for bøje i knæene. Pas på din ryg!
- Før skæremaskinen så der ikke er nogen kropsdele inden for skæreskivens udvidede svingområde (18).
- Skæreskiver må kun anvendes til skæring i de tilsigtede materialer!
- Anvend ikke skæremaskinen til at løfte og skubbe materialerester eller andre genstande væk med.  
**Vigtigt!** Før skæringen skal skæreamrådet renses for fremmedlegemer som f.eks. sten, grus, søm osv. Ellers kan sådanne genstande slynges væk af skæreskiven med høj hastighed. **Risiko for tilskadekomst!**
- Sørg for ordentlig understøtning ved afkortning af arbejdsstykker. Sørg om nødvendigt for at arbejdsstykket ikke glider, men du må hverken bruge din fod eller lade andre personer holde arbejdsstykket.
- Runde arbejdsstykker skal sikres, så de ikke kan dreje sig under skæringen.
- Når skæremaskinen føres med hånden, skal du kun anvende skæreværktøjet i sidestillingen, når der er et særligt behov.  
Ellers skal du altid anvende midterstillingen. Dette giver en bedre balance i maskinen og reducerer brugerens træthed.



## Skæring i metaller

### ⚠ VIGTIGT!

Anvend altid godkendt åndedrætsværn!

Skæring i materialer, der kan frigøre giftige stoffer, må kun udføres efter det er meldt til de rette myndigheder og foregår under deres eller en tilfornordnet persons opsyn.

### ⚠ FORSIGTIG:

Metaller opvarmes ved berøringspunktet på grund af skæreskivens hurtige rotation og smelter. Drej beskyttelsesskærmen så langt ned bag snittet som muligt (19) for at styre retningen af gnister fremad og væk fra brugeren (brandfare).

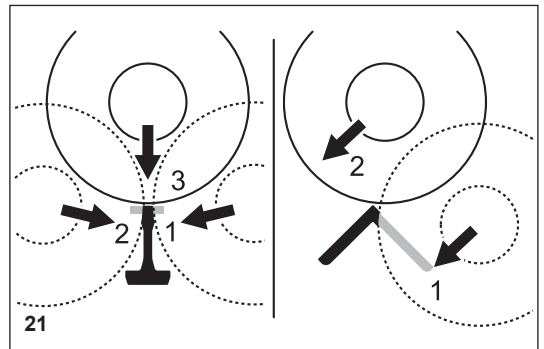
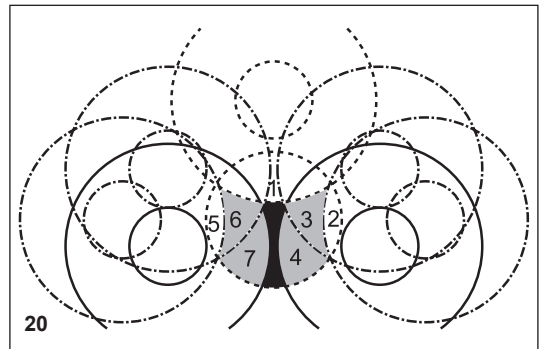
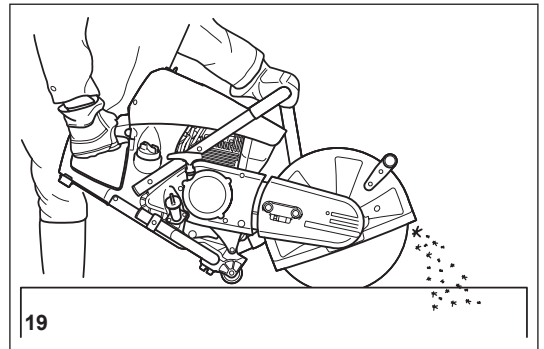
- Fastlæg skæreretningen, afmærk snittet og før skæreskiven ind mod materialet ved moderat hastighed, og skær først en styrerille inden du fortsætter med maksimal hastighed og forøger trykket på skæremaskinen.
- Hold skæreskiven lige og lodret. Skæreskiven kan knække, hvis du hælder den til siden.
- Den bedste måde til at få et flot, rent snit er at trække eller flytte skæremaskinen tilbage og frem. Skæreskiven må ikke bare trykkes ind i materialet.
- Det er bedst at skære tykke rundstænger i flere trin (20).
- Tynde rør kan skæres med et enkelt nedadgående snit.
- Rør med en stor diameter skæres ligesom rundstænger. For at undgå at skæreskiven hælder til siden og for øget kontrol, må skiven ikke føres for dybt ind i materialet. Skær i stedet et mindre dybt snit hele vejen rundt om arbejdsområdet.
- Slidte skæreskiver har en mindre diameter end nye skiver, så ved samme omdrejningshastighed har de en mindre periferhastighed og skærer derfor ikke lige så godt.
- Skær I-jern og vinkelstål i trin, se figur 21.
- Skær båndstål og plader på samme måde som rør: langs den brede side med et langt snit.
- Ved skæring af materiale der står i spænd (afstøttet eller indmuret materiale) skal der altid først laves et snit i tryksiden, og derefter skæres der fra træksiden for at undgå, at skæreskiven kommer i klemme. **Det materiale, der skal skæres af, skal sikres mod at kunne falde ned!**

### ⚠ FORSIGTIG:

Hvis der er risiko for at materialet kan være under tryk, skal du være forberedt på tilbageslag fra maskinen. Sørg for at du kan komme væk, hvis det bliver nødvendigt!

Du skal især være forsigtig på ophugningspladser, skrotpladser, ulykkessteder og ved stabler af rodet materiale. Uafbalancerede materialer eller materialer i spænd kan reagere på uberegnelige måder, som f.eks. ved at skride, springe ud eller revne. Det materiale, der skal skæres af, skal sikres mod at kunne falde ned! Vær altid yderst forsigtig og anvend kun udstyr som er i perfekt stand.

Følg din arbejdsgivers og/eller forsikrings-selskabs regler og bestemmelser for forebyggelse af ulykker.



## Skæring af murværk og beton

### VIGTIGT!

Anvend altid godkendt åndedrætsværn!

Asbest og andre materialer, der kan frigøre giftige stoffer, må kun udføres efter det er meldt til de rette myndigheder og foregår under deres eller en tilfornordnet persons opsyn. Ved skæring af forspændte og armerede betonpæle skal du følge instruktionerne og standarderne fra de ansvarlige myndigheder eller bygmesteren af konstruktionselementet. Armeringsstål skal skæres i den foreskrevne rækkefølge og i henhold til gældende sikkerhedsregler.

### BEMÆRK:

Mørtel, sten og beton afgiver store mængder støv under skæring. Vi anbefaler på kraftigste, at der anvendes vådskæring i stedet for tørskæring af hensyn til forlængelse af skæreskivens levetid (ved afkøling), for at forbedre sigtbarheden og for at undgå voldsom støvdannelse.

Ved vådskæring gøres skæreskiven våd med en ensartet hastighed på begge sider vha. en tynd strøm vand. MAKITA tilbyder det rigtige tilbehør til alle vådskæringsfunktioner (se også "SPECIELT TILBEHØR").

- Fjern fremmedlegemer som f.eks. sand, sten og søm, som findes inden for arbejdsområdet. **FORSIGTIG: Pas på elledninger og kabler!**

**På grund af skæreskivens hurtige rotationshastighed i berøringspunktet kastes der fragmenter ud af skærerillen med høj hastighed. Af hensyn til din sikkerhed skal beskyttelsesskærmen drejes så langt som muligt om bag snittet (23), så materialestykkerne kastes fremad og væk fra brugeren.**

- Afmærk snittet og lav derefter en ca. 5 mm dyb rille over hele længden af det planlagte snit. Denne rille vil efterfølgende styre skæremaskinen præcist gennem den egentlige skæring.

#### BEMÆRK:

Ved lange lige snit anbefales der brug af en styrevogn (24, se også "SPECIELT TILBEHØR"). Dette gør det nemmere at styre maskinen lige.

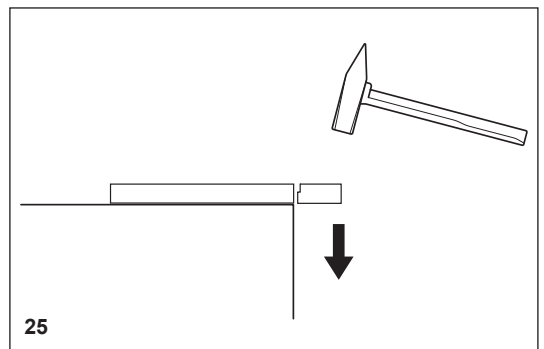
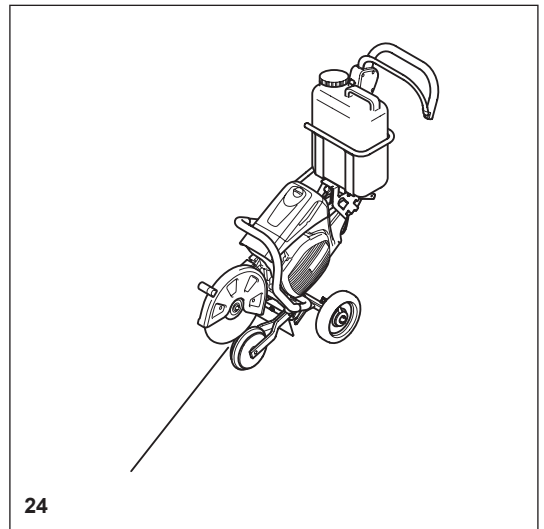
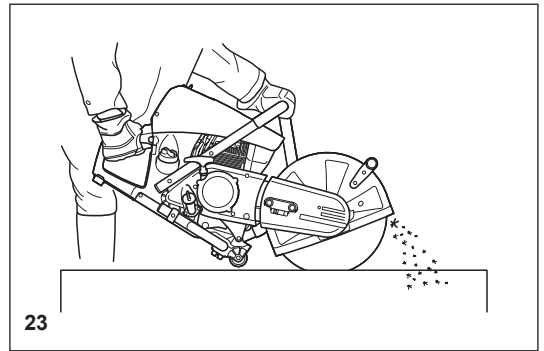
- Foretag snittet med en rolig tilbage-og-frem-bevægelse.
- Ved tilpasning af plader er det ikke nødvendigt at skære gennem hele materialetykkelsen (giver unødvendigt støv). Lav i stedet en mindre dyb rille og bank derefter det overskydende materiale af på en fladt underlag (25).

#### FORSIGTIG!

Ved afkortning, gennemskæring af materiale, udskæringer osv. er det meget vigtigt at fastlægge retningen og rækkefølgen på snittene for at forhindre at skæreskiven kommer i klemme af den afskårne del og for at undgå læsioner ved nedfaldende dele.

### Transport og opbevaring

- **Sluk altid for skæremaskinen når den transporteres eller flyttes fra sted til sted på et arbejdsområde (26).**
- **Bær og transportér aldrig skæremaskinen med motoren eller skæreskiven kørende!**
- Skæremaskinen må kun bæres i bøjlegrebet (midten) med skæreskiven pegende bagud (26). Undgå berøring af lyd-potten (fare for forbrænding!)
- Ved transport af skæremaskinen over længere strækninger skal der bruges trillebør eller en vogn.
- Under transport af skæremaskinen i et køretøj skal man sikre, at den ligger sikkert fast, så der ikke kan løbe brændstof ud.
- Fjern altid skæreskiven inden transport af skæremaskinen i et køretøj.
- Skæremaskinen bør opbevares sikkert på et tørt sted. Den må ikke efterlades udendørs! Tag altid skæreskiven af inden opbevaring. Hold skæremaskinen væk fra børn.
- **Inden længerevarende opbevaring og inden forsendelse af skæremaskinen skal du følge instruktionerne i kapitlet om "Opbevaring". Tøm ALTID brændstoffranken og kør karburatoren tør.**
- Ved opmagasinering af skæreskiver skal man være særlig omhyggelig med at:
  - Rense og tørre dem godt.
  - Opbevare dem liggende fladt ned.
  - Undgå fugt, frysetemperaturer, direkte sollys, høje temperaturer og temperatursvingninger, da der ellers er risiko for brud og splintring.
- **Kontroller altid nye skæreskiver, eller skæreskiver der har været opbevaret, for at sikre at de er fri for fejl.**



## Vedligeholdelse

- **Sluk for skæremaskinen inden udførsel af vedligeholdelsesarbejde (27) og træk tændrørshætten af.**
- Kontroller altid skæremaskinen inden brug for at sikre, at den er i ordentlig funktionstilstand. Det er især vigtigt at sikre, at skæreskiven er ordentligt monteret. Kontroller at skæreskiven ikke er beskadiget, samt at den er egnet til det arbejde, den skal bruges til.
- Anvend kun skæremaskinen så støj- og udstødningsniveau holdes på et minimum.  
For at sikre dette, skal karburatoren justeres korrekt.
- Rengør regelmæssigt skæremaskinen.
- Kontroller med jævne mellemrum at tankdækslet slutter ordentligt til.  
**Overhold vejledningerne angående ulykkesforebyggelse som udgives af brancheforeninger og forsikringsfirmaer. Foretag ALDRIG nogen ændringer på skæremaskinen! Du udsætter kun dig selv for fare!**  
Udfør kun det vedligeholdelses- og reparationsarbejde, der er beskrevet i brugsanvisningen. Alt andet arbejde skal udføres af et MAKITA-servicecenter (28).  
Anvend kun originale MAKITA-reservedele og tilbehør.  
Brug af ikke-MAKITA-reservedele, tilbehør eller skæreskiver forøger risikoen for ulykker. Vi kan ikke påtage os ansvaret for ulykker eller skader opstået i forbindelse med brug af skæreskiver eller tilbehør, som ikke er originale dele fra MAKITA.

## Førstehjælp (29)

Sørg for at der altid er en førstehjælpskasse i den umiddelbare nærhed. Erstat straks de ting der benyttes fra førstehjælpskassen.

### Oplys følgende hvis du tilkalder hjælp:

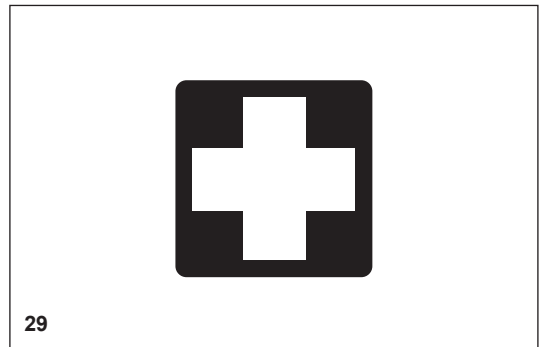
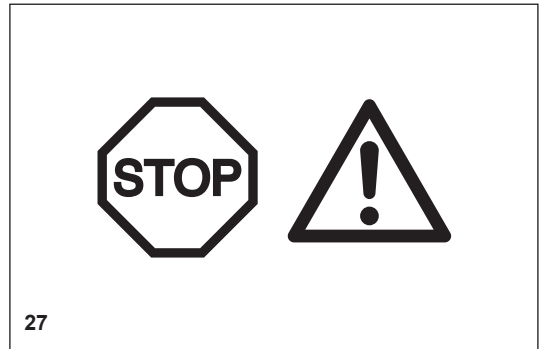
- Stedet hvor ulykken er sket
- Hvad der er sket
- Antallet af tilskadede personer
- Hvilke skader det drejer sig om
- Dit navn!

### BEMÆRK:

Personer med dårligt blodomløb, der udsættes for kraftige vibrationer, risikerer beskadigelse af blodkar eller nervesystemet.

Vibrationer kan medføre følgende symptomer i fingre, hænder eller håndled: Leddet "sover" (følelsesløshed), prikken, smerte, stikken, ændring af hudfarven eller af huden.

**Søg læge, hvis nogle af disse symptomer opstår!**





## Tekniske data

Del		Model	EK7650H		EK7651H	
Motor	Slagvolumen	cm <sup>3</sup>	75,6			
	Boring	mm	51			
	Slaglængde	mm	37			
	Maks. effekt	kW	3,0			
	Maks. moment	Nm	4,6			
	Tomgangshastighed	min <sup>-1</sup>	2.600			
	Kobling		Automatisk centrifugalsystem			
	Motorhastighedsbegrænsning	min <sup>-1</sup>	9.100			
	Maks. spindelhastighed	min <sup>-1</sup>	4.300			
	Karburator		Membratype			
	Tændingssystem (med hastighedsbegrænsning)		Uden kontakt, magnettype			
	Tændrør	Type	NGK CMR6H			
	Elektrodeafstand	mm	0,5			
	Startsystem		Rekylsystem			
	Brændstofforbrug ved maks. belastning iht. ISO 8893	kg/t	1,2			
	Specifikt forbrug ved maks. belastning iht. ISO 8893	g/kWh	400			
	Brændstof		Bilbenzin			
	Brændstoftankvolumen	l	1,1			
	Smørelse (motorolie)		API-grad SF-klasse eller højere SAE 10W-30-olie (4-taktsmotorolie til bil)			
	Smørelseskvantitet	l	0,22			
Skæreskive til 80 m/sek. eller højere <sup>1)</sup> (DSA-godkendt): mål	mm	300 / 20 / 5 <sup>2)</sup>	300 / 25,4 / 5 <sup>2)</sup>	350 / 20 / 5 <sup>2)</sup>	350 / 25,4 / 5 <sup>2)</sup>	
Lydtryksniveau (L <sub>pA</sub> ) iht. EN ISO 19432 <sup>3)</sup>		92,7				
	Usikkerhed (K)	2,5				
Lydeffektniveau (L <sub>WA</sub> ) iht. EN ISO 19432		104,6				
	Usikkerhed (K)	2,5				
Svingningsacceleration a <sub>n, w</sub> iht. EN ISO 19432	- Forreste håndtag (tomgang/normeret spindelhastighed)	m/s <sup>2</sup>	2,7			
	Usikkerhed (K)	m/s <sup>2</sup>	2,0			
	- Bagerste håndtag (tomgang/normeret spindelhastighed)	m/s <sup>2</sup>	1,8			
	Usikkerhed (K)	m/s <sup>2</sup>	2,0			
Akseldiameter	mm	20,0	25,4	20,0	25,4	
Spindeldiameter	mm	17		17 eller 25,4 <sup>4)</sup>		
Minimumsdiameter på flange udvendigt	mm	102				
Maks. skæredybde	mm	97		122		
Skæremaskinens mål (samlet længde x samlet bredde x samlet højde)		761 mm x 310 mm x 435 mm		780 mm x 310 mm x 455 mm		
Kileremsnummer	nr.	225094-6				
Samlet vægt (tom tank, uden skæreskive)	kg	12,7		12,9		

1) Periferihastighed ved maks. motorhastighed

2) Udvendig diameter / akselhul / tykkelse

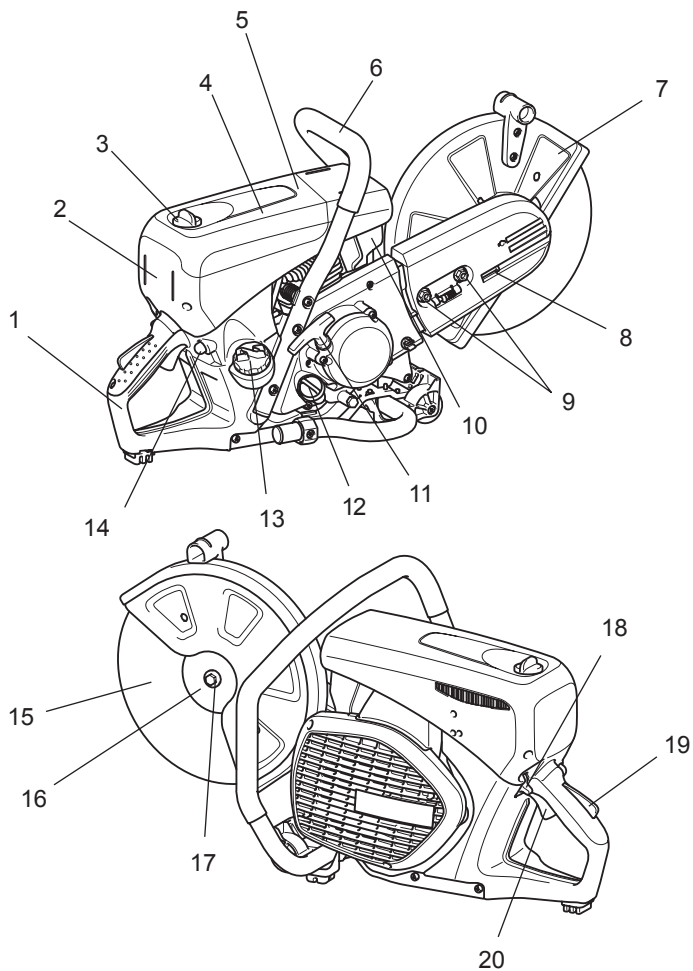
3) På arbejdspladsen (ved brugerens øre)

4) Landespecifik



## Delenes betegnelser

1. Bageste håndtag
2. Filterdæksel
3. Låseskrue
4. Topdæksel for luftfilter og tændrørshætte
5. Topdæksel
6. Forreste håndtag
7. Beskyttelsesskærm
8. Spændeskrue
9. Sekskantmøtrik
10. Lyddæmper
11. Starthåndtag
12. Oletankdæksel
13. Brændstoftankdæksel
14. Brændstofpumpe (tipper)
15. Skæreskive
16. Udvendig flange
17. Sekskantbolt
18. Afbryderkontakt
19. Sikkerhedslåseknop
20. Gashåndtag





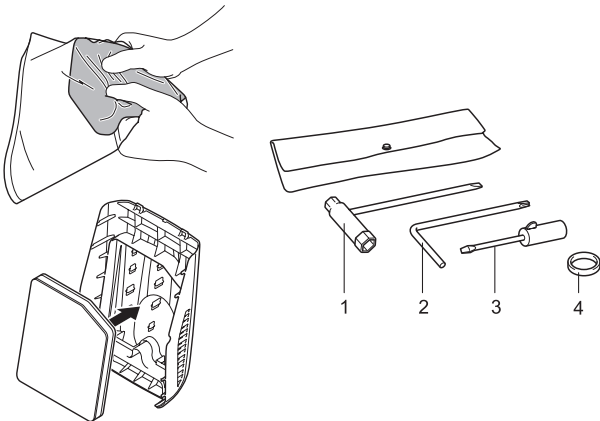
## ANVENDELSE

### ⚠ FORSIGTIG:

Sluk altid for motoren og tag tændrørshætten af, inden du foretager noget arbejde på skæremaskinen! Bær altid beskyttelsehandsker!

### ⚠ FORSIGTIG:

Start kun skæremaskinen når den er fuldstændig samlet og eftersat.



Anvend de samlingsværktøjer, der fulgte med, til følgende arbejde:

1. 13/16 AF kombinøgle
2. Stjerneformet skiftenøgle
3. Skruetrækker til karburatorjustering
4. Adapterring

Placer skæremaskinen på en stabil overflade og foretag samling via de følgende trin:

### ⚠ Der er ikke installeret noget luftfilter!

Inden betjening skal du klemme det medfølgende filter flere gange, så olien fordeles jævnt i hele filteret. Indsæt et olieret skumfilter (forfilter) som vist på den tilstødende illustration! For at kunne gøre dette skal du fjerne filterdækslet (se kapitlet om Rengøring/udskiftning af luftfilteret).

## Montering af skæreskiven

### ⚠ ADVARSEL:

- Ved montering af en diamantskæreskive skal du sørge for at montere den sådan, at pilen viser i samme retning, som den udvendige flange (6) roterer. Montering af diamantskæreskiven (4) med pilen i modsat retning af den på hjuldækslet kan medføre flækning af skivekanten og personskader.
- Ved montering af en skæreskive (4) skal du altid bruge en ring, der svarer til hullet i skæreskiven og diameteren på spindlen (5). Hvis der ikke anvendes passende ringe, kan det medføre vibration i maskinen og forårsage alvorlig personskade.
- Brug kun skæreskiver med en åbning der svarer til diameteren på ringen/ringene, som følger med. Hvis der ikke anvendes passende skæreskiver, kan det medføre vibration i maskinen og forårsage alvorlig personskade.
- Se skæreskiven efter for skader. (se afsnittet kaldet "Skæreskiver" i SIKKERHEDSFORHOLDSREGLER.)

1. Indsæt den stjerneformede skiftenøgle (2) i hullet (8) for at forhindre spindlen (5) i at dreje rundt.

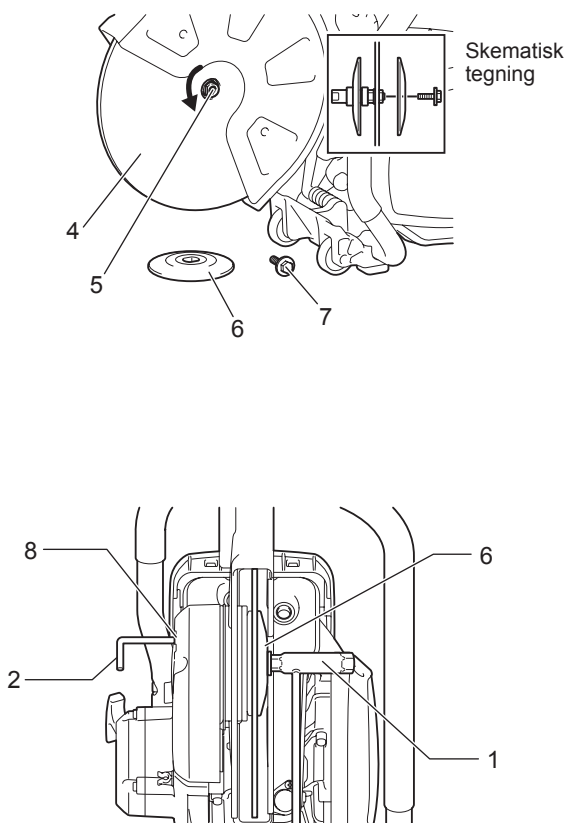
**BEMÆRK:** Når holderen til trykvandssystemet er monteret til hullet på maskinen, skal den fjernes, inden skæreskiven monteres.

2. Mens du holder skiftenøglen (2) på den position, skal du anvende den medfølgende kombinøgle (1) til at dreje boltene (7) mod uret for at fastgøre skiven og fjerne boltene (7) og den udvendige flange (6).
3. Monter en diamantskæreskive/vinkelslibeskive (4) på akslen (5). Placer derefter den udvendige flange (6) på spindlen, så de to parallelle flade områder på den udvendige flange passer på det flade område på spindlen og stram boltene omhyggeligt i urets retning.

For at montere en skæreskive skal du montere en ring med den samme diameter som diskboringen og den medfølgende O-ring for at holde ringen på spindlen, inden du monterer en diamantskæreskive.

Monter derefter skæreskiven.

**BEMÆRK:** Stram sekskantbolten godt til (25 - 31 Nm) ellers kan skæreskiven muligvis glide under skæringen.



## Spænding af kileremmen / kontrol af kileremsspænding

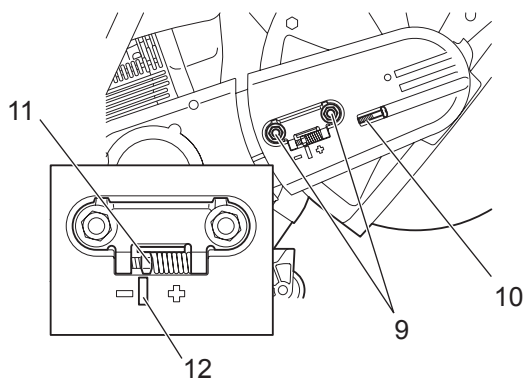
### VIGTIGT:

En nøjagtig kileremsspænding er vigtig for at kunne opnå en maksimal skæreydelse med mindst muligt brændstofforbrug. En forkert kileremsspænding forøger sliddet på kileremmen og kileremshjulet, og kan beskadige koblingens kugleleje.



**BEMÆRK:** De to sekskantmøtrikker (9) skal løsnes inden kileremmen spændes, eller spændingen kontrolleres. Kileremsspændingen øges ved at dreje spændeskruen (10) til højre (med uret) med den kombinøgle, som følger med skæremaskinen.

Kileremsspændingen er korrekt justeret, når møtrikken (11) er placeret som vist på figuren i forhold til positionen af mærket (12).



### VIGTIGT:

- Efter du har foretaget spænding/eftersyn, skal du sørge for at spænde sekskantmøtrikken (9) (25 - 31 Nm).
- Juster ikke kileremsspændingen mens maskinen er varm. Der er en risiko for forbrændingsskader.

## Inden anvendelse

### 1. Kontrol/genopfyldning af motorolie

- Kontroller/genopfyld motorolie på en kold motor på følgende måde.
- Placer motoren på et fladt underlag og kontroller om olien er inden for området mellem MAX og MIN i olietanken.
- Hvis der mangler olie (i nærheden af MIN-mærket i olietanken), fyldes olietanken op med olie til MAX-mærket.
- Oliemængden kan kontrolleres udefra uden at oliedækslet tages af, da oliestanden kan ses via det udvendige gennemsigtige målemærkevindue.
- Der behøves generelt at påfyldes olie efter hver ti timers drift (en tank olie til ti brændstoffpåfyldninger).
- Udskift ekstremt beskidt eller misfarvet olie.

<Anbefalet olie>.....Brug API-grad SF-klasse eller højere SAE 10W-30-olie (4-taktsmotorolie til bil).

<Oliemængde> .....0,22 l (220 ml)

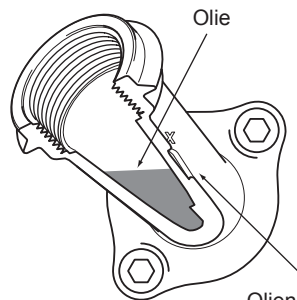
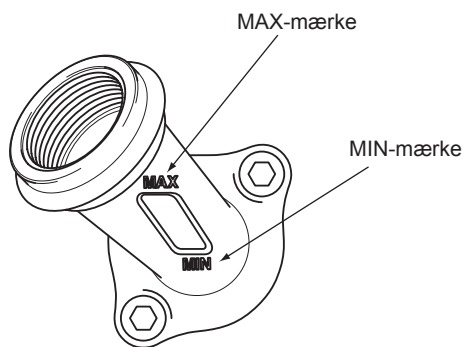
### BEMÆRK:

- Hvis motoren ikke opbevares i lodret position, løber olien ind i motoren, hvilket betyder, at der vil være for meget olie i skæremaskinen ved genopfyldning.
- Hvis olien overstiger MAX-mærket, kan den lække ud og forårsage tilsnævning eller hvid røg.

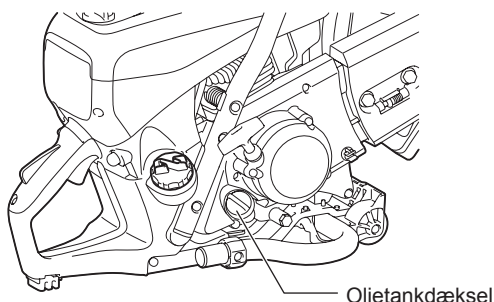
### Punkt 1 for olieudskiftning <Oliedæksel>

Udskiftningsinterval: Første gang efter 20 timers drift og efterfølgende efter hver 30 timers drift.

- Fjern snavs omkring oliepåfyldningsstudsens og tag derefter oliedækslet af.
- Placer oliedækslet på et sted, hvor den ikke kommer i kontakt med grus og snavs. Når der sættes et beskidt dæksel på, forringes oliecirculationen muligvis, og motordelene slides, hvilket kan medføre mekaniske fejl.



Olien kan ses her, så MAX- og MIN-mærkerne kan anvendes til at kontrollere mængden af olie.



- (1) Placer motoren vandret og tag oliedækslet af.
- (2) Fyld olie op til begyndelsen af påfyldningsstudslen. Når du genopfylder olie, skal du anvende en ordentlig oliebeholder til genopfyldning.
- (3) Stram oliedækslet ordentligt til. Hvis oliedækslet sidder løst, kan der lække olie ud.

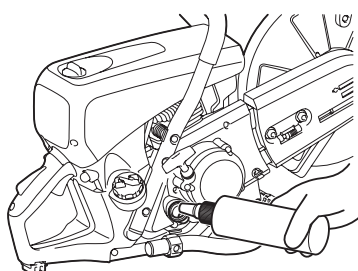
#### **Punkt 2 for olieudskiftning <Gør dette, hvis der spildes olie>**

Hvis der spildes olie mellem brændstoftanken og motoren, og skæremaskinen anvendes, suges der olie ind via koldluftindtaget, hvilket kan medføre tilsnavsning. Tør altid spildt olie af inden skæremaskinen anvendes.

#### **2. Påfyldning af brændstof**

##### **⚠ ADVARSEL:**

- **Overhold altid følgende punkter ved påfyldning af brændstof. Ellers kan der opstå flammer eller brand.**
    - Påfyld altid brændstof væk fra åben ild. Du må endvidere aldrig ryge eller bringe nogen former for åben ild hen i nærheden af brændstoffet eller skæremaskinen under påfyldningen af brændstof.
    - Stands motoren og lad den køle af inden påfyldning af brændstof.
    - Åbn altid brændstoftankdækslet langsomt for at udligne det indvendige tryk på en kontrolleret måde. Gøres dette ikke, kan det medføre at brændstoffet sprøjter ud pga. det indvendige tryk.
    - Vær påpasselig med ikke at spilde brændstof. Hvis der spildes brændstof, skal det tørres helt af.
    - Påfyld brændstof på et sted med god udluftning.
  - **Hånder altid brændstof med stor forsigtighed.**
    - Hvis brændstoffet kommer i kontakt med huden og/eller øjnene, kan det medføre en allergisk reaktion og/eller give infektion.
- Hvis der opstår allergiske reaktioner og/eller infektion mv. skal der straks søges råd hos en speciallæge.



#### **<Opbevaringsperiode for brændstof>**

Som en regel bør brændstof opbevaret i en ordentlig brændstofbeholder på et sted i skyggen med god udluftning opbruges inden for fire uger. Hvis der ikke anvendes en ordentlig brændstofbeholder, og/eller dækslet ikke er sat på mv. om sommeren, kan brændstoffet forringes på en dag.

#### **Opbevaring af skæremaskinen og brændstofbeholderen**

- Opbevar skæremaskinen og brændstofbeholderen væk fra direkte sollys på et køligt sted.
- Du skal ikke efterlade en skæremaskine eller en brændstofbeholder fyldt med brændstof i bilen eller bagagerummet.

#### **<Brændstof>**

Da motoren er en firetaksmotor, skal der anvendes bilbenzin (almindelig benzin) til motoren.

#### **Punkter for brændstof**

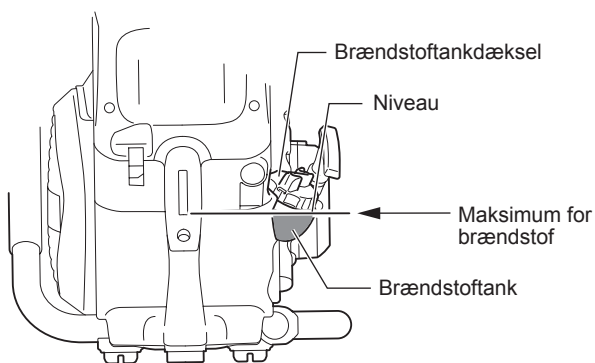
- Anvend ikke nogen benzinblanding (motorolie blandet benzin). Gøres dette, kan der ophobes kulstof, hvilket kan medføre mekanisk fejl.
- Brug af gammelt brændstof kan medføre dårlig motorstart.

#### **<Påfyldning af brændstof>**

Stands altid motoren og lad den køle af inden påfyldning af brændstof.

#### **<Anvendelig benzin> ..... Bilbenzin**

- Løsn brændstoftankdækslet en smule for at frigøre trykket og derved udligne det udvendige og indvendige lufttryk.
- Fjern brændstoftankdækslet og påfyld brændstof. (Fyld ikke op til toppen af påfyldningsstudslen.)
- Skru brændstoftankdækslet ordentligt på efter påfyldning af brændstof.
- Brændstoftankdækslet er en forbrugsdel. Det skal derfor udskiftes, hvis der er tegn på slid eller andet unormalt. (Det skal cirka udskiftes én gang hvert andet eller tredje år.)



## Betjening

### Start af maskinen

#### ⚠ ADVARSEL:

Start ikke motoren på steder, hvor der er foretaget påfyldning af brændstof. Gå mindst tre meter væk fra det sted, hvor der blev fyldt brændstof på skæremaskinen.

- Ellers kan der opstå flammer eller brand.


#### ⚠ FORSIGTIG:

Inden du starter motoren, skal du sørge for at kontrollere, at skæreskiven ikke er i kontakt med jorden eller andre genstande.

- Hvis skæreskiven er i kontakt med jorden eller andre genstande, kan det medføre en ulykke.

Så snart motoren starter, begynder skæreskiven at dreje rundt, så du skal være fuldt opmærksom på personer og genstande i nærheden.

### 1. Koldstart

- (1) Tryk flere gange på tipperen indtil der løber brændstof ind i den.
- (2) Skub kontakten i retning af  (choker).
- (3) Hold det bagerste håndtag nede med en fod og tag godt fat om bøjlehåndtaget med hånden.
- (4) Træk kraftigt flere gange i starthåndtaget indtil den første startlyd høres.

### Opvarmning

- Når først motoren starter, skal du holde ned på sikkerhedshåndtaget og trykke ind og slippe gashåndtaget flere gange i et eller to minutter for at varme motoren op.
- Først når motoren stabiliserer sig og gasser jævnt op fra lav til høj hastighed, er opvarmningen fuldført.


### 2. Start med varm motor


Tryk flere gange på tipperen. Placer fra start af kontakten i [I] (drift)-positionen og start motoren vha. punkt (3) i procedure 1 ovenfor.

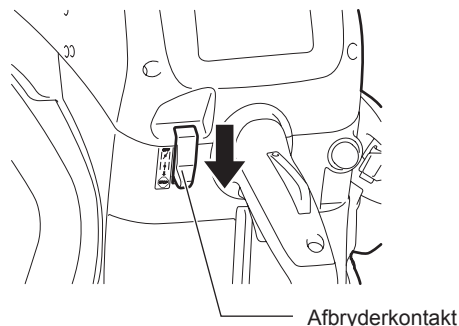
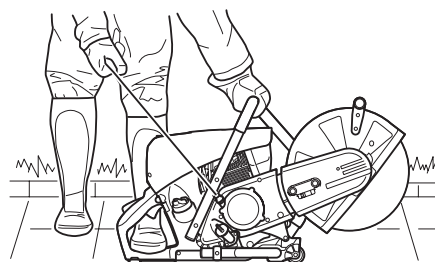
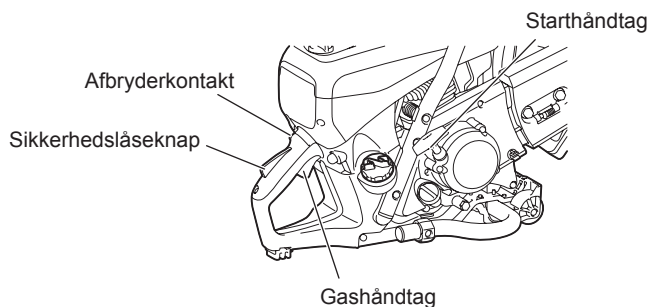
#### BEMÆRK:

- Gentagne træk og slip af starthåndtaget med kontakten indstillet på choker oversvømmer motoren med brændstof og gør det svært at starte.
- Når motoren standser, må du aldrig trykke på gashåndtaget. Unødvendigt tryk på gashåndtaget, mens motoren er standset, oversvømmer motoren med brændstof og gør det svært at starte.
- Hvis motoren bliver oversvømmet med brændstof, skal du fjerne tændrøret og trække langsomt flere gange i starthåndtaget for at fjerne det overskydende brændstof. Tør også tændrørets elektrodedel af.
- Træk ikke starthåndtaget ud til enden af rebet, da det forkorter rebets levetid. Returner endvidere forsigtigt starthåndtaget uden bare at slippe det.
- Undgå at lade skæremaskine køre ved maksimal tomgangshastighed, da det forkorter motorens levetid.

### 3. Standsning

For at stoppe motoren skal du slippe gashåndtaget og sætte kontakten på  (Stop)-positionen.

Hvis chokerhåndtaget fejlagtigt flyttes til -positionen for at stoppe maskinen, skal du sætte den på halv kraft for at genstarte.

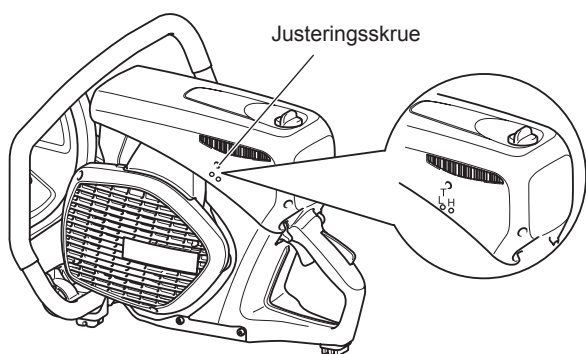
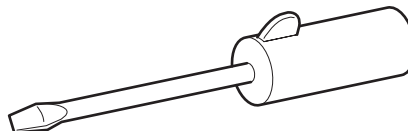


## Justering af karburatoren



**BEMÆRK:** Denne motor er udstyret med en elektronisk tænding for at begrænse hastigheden. Karburatoren har også en fast dyse, som ikke kan justeres. Tomgangshastigheden er på fabrikken indstillet til ca. 2.600 min<sup>-1</sup>, men tilkørselsprocessen for en ny motor kan muligvis betyde, at der behøves en mindre genjustering af tomgangshastigheden.

Indstil tomgangshastigheden med en skruetrækker (klingebredde: 4 mm). Det er praktisk at anvende en skruetrækker med en påståbt tap, der fås som ekstraudstyr.



### 4. Justering af tomgang

**FORSIGTIG:** Karburatorjustering kan kun udføres af et specialiseret MAKITA-servicecenter!

Undlad at foretage justeringer af justeringsskruerne (H) og (L) uden en omdrejningstæller! Forkert justering kan medføre skader på motoren!

Der behøves en omdrejningstæller for justering af justeringsskruerne (H) og (L), da motoren kan overophede og løbe tør for smørelse, hvis motoren kører hurtigere end dens maksimale normerede hastighed. Dette kan beskadige motoren!

Det er kun justeringsskruen (T), som kan indstilles af brugeren. Hvis skæreskiven kører rundt i tomgang (dvs. uden at der trykkes på gashåndtaget), er det strengt nødvendigt at rette tomgangshastigheden!

Justering af tomgangshastigheden må kun udføres, når motoren er varm, med et rent luftfilter.

Brug en skruetrækker (klingebredde 4 mm) til justering af tomgang.

## VEDLIGEHODELSE

**⚠ FORSIGTIG:**

- Inden du foretager noget arbejde på skæremaskinen, skal du standse motoren og lade den køle af, fjerne skæreskiven, trække tændrørshætten af tændrøret og anvende beskyttelseshandsker!

Udføres der vedligeholdelses arbejde direkte efter motoren er standset, eller mens tændrørshætten sidder på tændrøret, kan det medføre forbrændinger pga. den varme motor eller skader pga. utilsigtet start af motoren.

- Start kun skæremaskinen når den er fuldstændig samlet og eftersat.
- Brug aldrig benzin, benzen, fortynder, alkohol eller lignende. Det kan muligvis medføre misfarvning, deformation eller revner.

**BEMÆRK:**

- Tør snavs af skæremaskinen og vælg et rent arbejdssted til udførelse af vedligeholdelsen.







## SERVICE

### VIGTIGT:

Da mange af de dele og samlinger, som ikke er nævnt i denne brugsanvisning, er vigtige for denne enheds sikkerhed, og da alle dele udsættes for et vist slid, er det for din sikkerheds skyld vigtigt, at du får enheden regelmæssigt kontrolleret og vedligeholdt af et MAKITA-servicecenter.

### VIGTIGT:



Hvis skæreskiven knækker under skæring, skal skæremaskinen repareres af et MAKITA-servicecenter, inden den kan bruges igen!

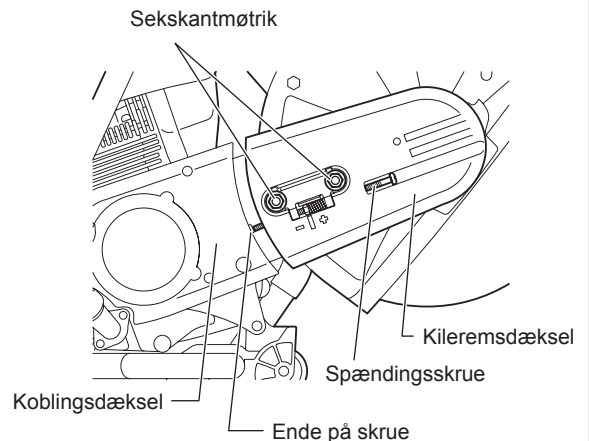
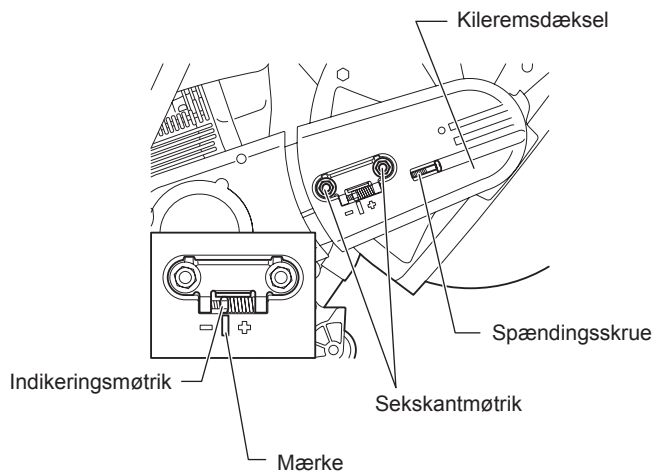
## Kilerem

### 1. Justering af kileremsspænding

- Hvis skæreskiven ofte stopper under arbejdet, er kileremmen for slap. I dette tilfælde skal du anvende den følgende procedure til at justere spændingen.
- (1) Løsn kileremsdækslets møtrikker.
- (2) Drej spændingsjusteringsskruen til (med uret) indtil indikatormøtrikken når den markerede position for at forøge spændingen af kileremmen.
- (3) Når først spændingen af kileremmen er fuldført, skal kileremsdækslet spændemøtrikker strammes ordentligt til igen.
- Hvis skæreskiven nemt stopper, selvom spændingen af kileremmen er blevet justeret, eller kileremmen knækker, skal den udskiftes med en ny kilerem.

### 2. Udskiftning af kileremmen

- (1) Løsn spændemøtrikken og drej spændingsjusteringsskruen til venstre indtil skruens ende er synlig.
- (2) Skru spændemøtrikkerne af og fjern derefter kileremsdækslet.
- (3) Fjern derefter de tre monteringskrue og tag koblingsdækslet af.
- (4) Tag den gamle kilerem af og sæt en ny kilerem på. Monter derefter koblingsdækslet på igen efterfulgt af kileremsdækslet.
- (5) Juster spændingen som vist i afsnittet Justering af kileremsspænding.



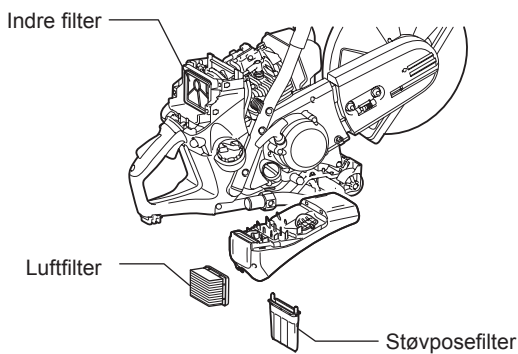
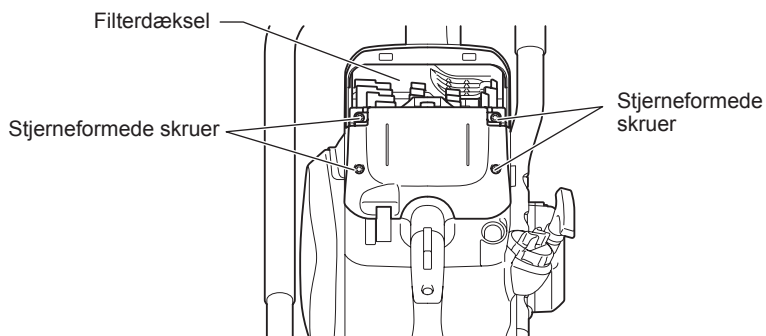
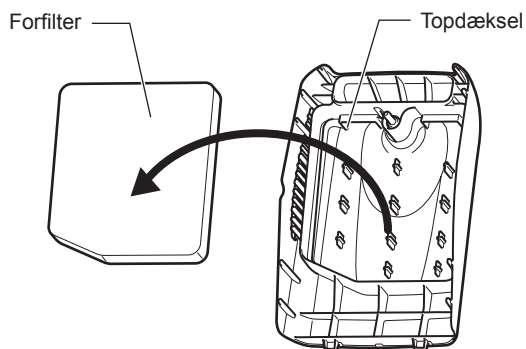
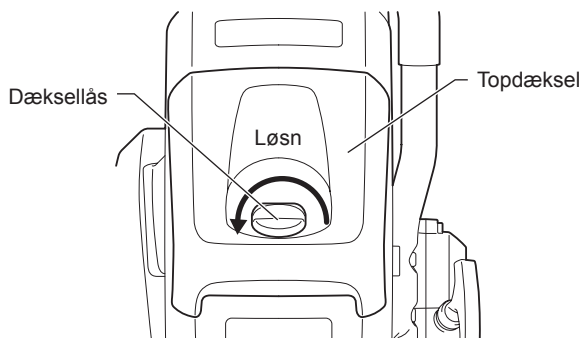
## Rengøring af beskyttelsesskærmen

Med tiden kan indersiden af beskyttelsesskærmen fyldes op med materialerester (især fra vådskæring), hvilket kan forhindre den frie omdrejning af skæreskiven, hvis de ikke fjernes. Det er derfor vigtigt at rengøre skærmen en gang imellem. Tag skæreskiven af og fjern det ophobede materiale fra indersiden af skærmen med et stykke træ eller lignende redskab. Rengør skaffet og alle de afmonterede dele med en klud.

**BEMÆRK:** For at montere skæreskiven skal du se "Montering af skæreskiven".





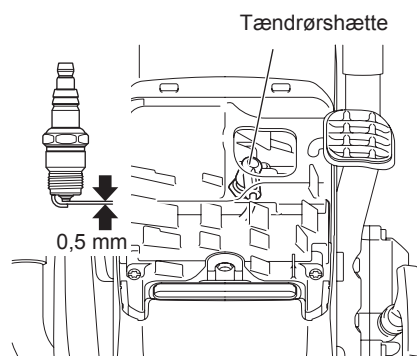
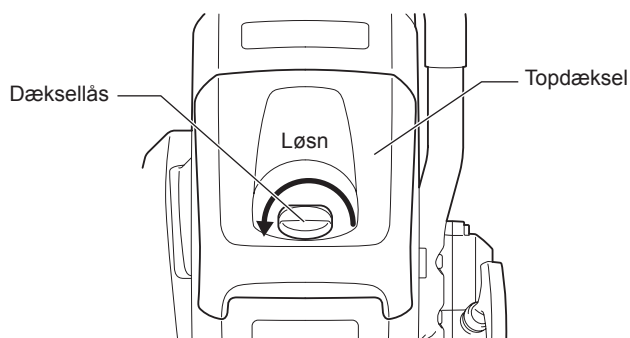


## Rengøring/udskiftning af luftfilteret

- Hvis luftfilteret tilstoppes, kan det medføre forringet motorydelse. Sørg derfor for at rengøre luftfilteret på følgende måde hver gang skæremaskinen har været brugt.
- Drej dæksellåsen til venstre og fjern den.
- Fjern topdækslet efter du har blæst støvet af det.
- Fjern derefter forfilteret.
- Fjern de fire stjerneformede skruer.
- Fjern filterdækslet.
- Fjern luftfilteret.
- Fjern støvposefilteret fra filterdækslet og bank forsigtigt og blæs på det for at rengøre det.
- Bank forsigtigt og blæs luft på det indre filter for at fjerne snavs og støv. Vask også med mellemrum det indre filter i sæbevand og tør det omhyggeligt.
- Bank forsigtigt på luftfilteret for at rengøre det. Hvis der anvendes trykluft, skal du blæse tryklufften på indersiden af luftfilteret. Du skal ikke vaske luftfilteret.
- Blæs støvet omkring filtrene væk.
- Monter luftfilteret på filterdækslet igen efter rengøringen.
- Stram dæksellåsen ordentlig til.

## Vedligeholdelse af tændrør

- (1) Løsn dæksellåsen og fjern topdækslet.
- (2) Åbn tændrørsdækslet, fjern tændrørshætten og fjern tændrøret.
- (3) Kontroller om elektrodeafstanden er 0,5 mm. Hvis afstanden er for stor eller for lille, skal du justere den til 0,5 mm.
- (4) Hvis der er ophobet kulstof og/eller snavs på tændrøret, skal det renses, og derefter monteres igen. Et meget slidt eller brændt tændrør bør udskiftes med et nyt.
- (5) Efter vedligeholdelse af tændrøret skal det genmonteres, tændrørshætten skal sættes på og derefter skal tændrørsdækslet fastgøres.

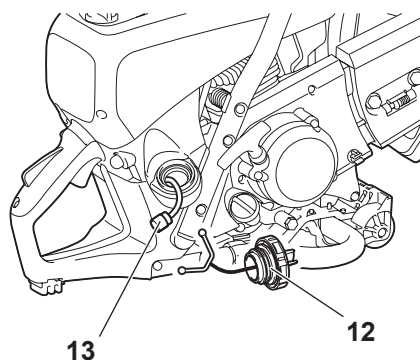


## Udskiftning af sugehovedet

Brændstoffilteret (13) i sugehovedet kan blive tilstoppet. Det anbefales, at udskifte sugehovedet hver tredje måned for at sikre en uhindret brændstofforsyning til karburatoren. Skru brændstoffankdækslet (12) af og træk tabssikringen ud. Tøm brændstoffranken.

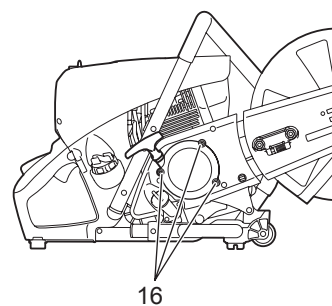
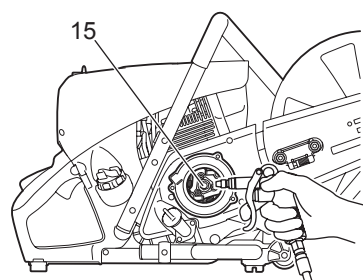
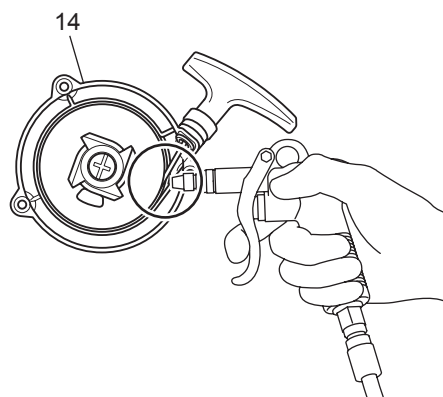
Udskift sugehovedet ved at trække det ud gemmen påfyldningsstudsens vha. et stykke ståltråd, som er bøjet i den ene ende, så det danner en krog.

**⚠ FORSİGTİG:** Brændstof må ikke komme i berøring med huden!

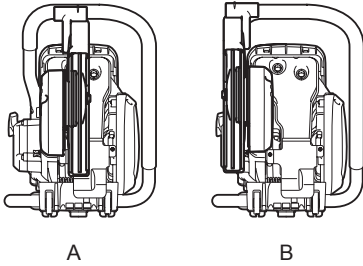


## Rengøring af starteren

Når starteren ikke fungerer ordentligt, for eksempel hvis startsnoren ikke vender tilbage til udgangspositionen, er det nødvendigt at blæse støvet af starteren (14) og koblingen (15). For at rengøre starteren og koblingen skal du fjerne de tre skruer (16) for at få adgang til dem.



## Monteringsretning



A

B

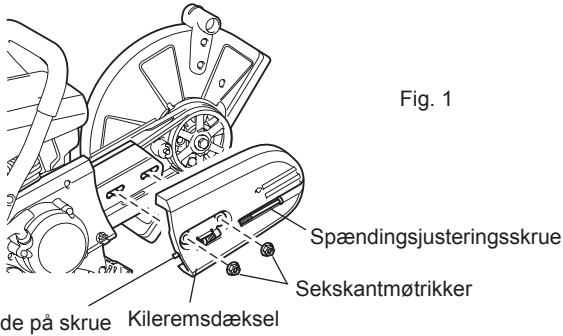


Fig. 1

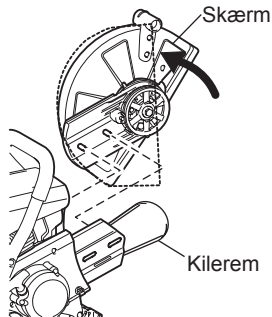


Fig. 2

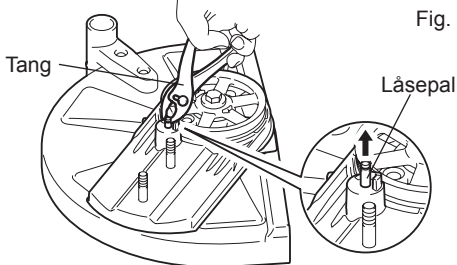


Fig. 3

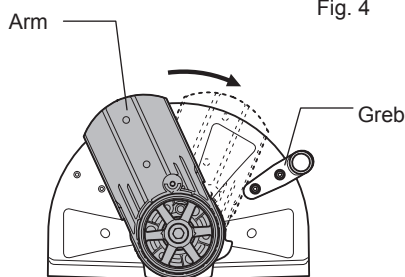


Fig. 4

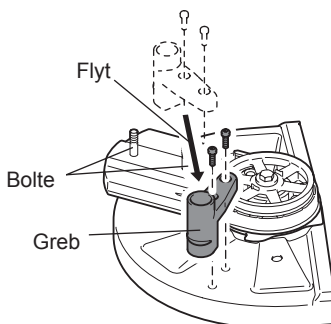


Fig. 5

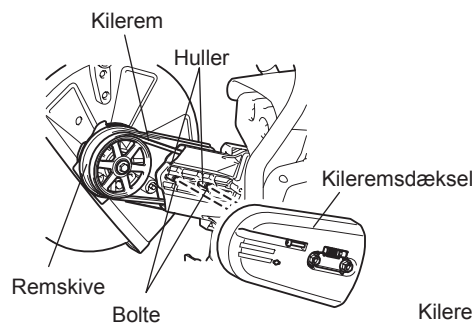


Fig. 6

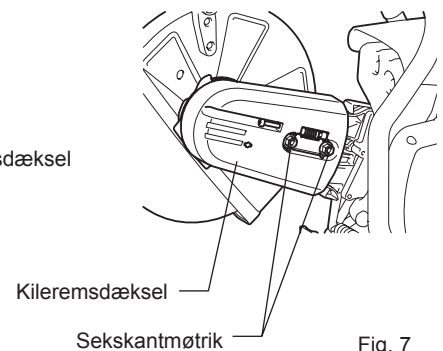


Fig. 7

## Ændring af skæreværktøjets position (midten/siden)

### Monteringsretning af skærm

- Skæremaskinens skæreværktøj er monteret i den retning, der er vist i Fig. A. Brug den følgende procedure til at montere det i retningen Fig. B, hvis du ønsker det.

### Montering i retning B

- (1) Løsn spændemøtrikken og drej spændingsjusteringsskruen til venstre indtil skruens ende er synlig. (Fig. 1)
  - (2) Skru spændemøtrikkerne af og fjern kileremsdækslet. (Fig. 1)
  - (3) Drej skærmen til positionen med stiplede linje. Fjern kileremmen og fjern derefter skæreværktøjet fra skæremaskinen. Monter grebet igen. (Fig. 2)
  - (4) Tag fat i låsepalen med en ligekærvet skruetrækker eller en tang. (Fig. 3)
  - (5) Roter armen indtil den er i berøring med grebet og sæt låseskafet tilbage på den oprindelige plads med håndkraft. (Fig. 4)
  - (6) Monter grebet igen. (Fig. 5)
  - (7) Vend det fjernede skæreværktøj om og før en bolt gennem hullet, og genmonter derefter i retning B. Genmonter kileremmen på remskiven. (Fig. 6)
  - (7) Monter kileremsdækslet. (Fig. 7)
- Drej på spændingsjusteringsskruen for at justere spændingen af kileremmen. Når først spændingsjusteringen er afsluttet, skal spændemøtrikken spændes ordentligt til.

## SPECIELT TILBEHØR

### Diamantskæreskiver

MAKITA-diamantskæreskiver imødekommer de højeste krav til arbejdssikkerhed, arbejdskomfort og økonomisk skæreydelse. De kan anvendes til skæring i alle materialer **undtagen metal**. Diamantkornenes høje slidstyrke garanterer ringe slitage og dermed en meget lang levetid med omtrent ingen ændring i skivediameteren over skæreskivens levetid. Dette giver en konstant skæreydelse, og skæreskiverne er derfor meget økonomiske. Skivernes fremragende skæreegenskaber gør skæring nemmere. Metalskiveplader giver en meget koncentrisk kørsel, hvilket gør vibrationen minimal under brug. Brug af diamantskæreskiver reducerer skæretiden væsentligt. Dette resulterer i lave driftsomkostninger (brændstofforbrug, slid på dele, reparationer og sidst men ikke mindst belastning af miljøet).

### Styrevogn

MAKITA styrevognen gør det meget nemmere foretage lige snit, mens det på samme tid næsten bliver ubesværet at arbejde. Den kan justeres efter brugerens højde, og den anvendes med skæreværktøjet monteret i midten eller på siden.

Der kan tilføjes en dybdebegrænser for endnu lettere og mere præcis skæring. Den gør det nemmere at overholde en præcis forudbestemt skæredybde.

MAKITA tilbyder flere muligheder for at tilføre vand til skæreskiven under skæringen for at holde støvet nede og for at opnå en bedre afkøling af skæreskiven.

### Vandtank (styrevognskomponent)

Vandtanken er designet til at blive monteret på styrevognen. Dens høje kapacitet gør den særlig velegnet til situationer, som involverer hyppige skift af arbejdssted. Når tanken skal fyldes op eller ved hurtigt skift til reservetanke, kan tanken ganske enkelt løftes ud af styrevognen.

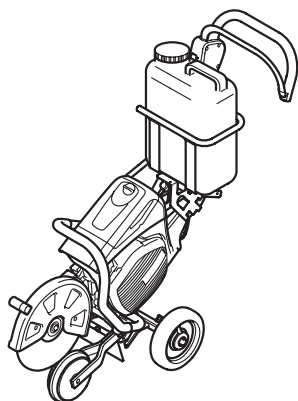
Der følger alle de nødvendige tilslutninger og slanger med vandtanken. Det er meget hurtigt og enkelt at montere tanken på styrevognen og til skæremaskinen.

### Vandlednings-/trykvandssystem

Vandlednings-/trykvandssystemet er beregnet til at blive monteret på skæremaskinen. Den kan anvendes med eller uden styrevognen, men den er især velegnet til anvendelser som involverer håndholdt, stationær skæring. Vandtilførslen er udstyret med en hurtigkoblingstilslutning, og vandet kan tilføres enten fra en almindelig vandledning eller fra en tryktank (7).

Der følger alle de nødvendige tilslutninger og rør med vandsystemet. Det kan nemt og hurtigt monteres på skæremaskinen.

- Styrevognssæt  
Dette er praktisk til kronebreddeskæring
- Filtersæt  
Forfilter (5 filtre)  
Luftfilter (1 filter)  
Støvposefilter (1 filter)



## Vedligeholdelsesskema

Del \ Driftstid		Inden brug	Efter påfyldning af brændstof	Dagligt (10 t)	20 t	30 t	50 t	200 t	Inden opbevaring	Se side
Motorolie	Efterse/rengør	○								196
	Udskift					○*1				
Tilspændingsdele (bolt, møtrik)	Efterse	○								—
Brændstoftank	Rengør/efterse	○								—
	Tøm for brændstof								○*3	191
Kilerem	Efterse/juster	○								200
Gashåndtag	Kontroller funktion		○							—
Stop-kontakt	Kontroller funktion		○							198
Skæreskive	Efterse	○		○						188
Tomgangshastighed	Efterse/juster			○						199
Luftfilter	Rengør						○			201
Støvposefilter	Rengør/udskift				○					201
Forfilter	Rengør/udskift			○						201
Tændrør	Efterse			○						202
Luftafkølingskanal og cylinderribber	Rengør/efterse			○						—
Brændstofslange	Efterse			○						—
	Udskift							◎*2		—
Brændstoffilter	Rengør/udskift						○			202
Ventilafstand (indsugningsventil og udstødningsventil)	Efterse/juster							◎*2		—
Karburator	Tøm for brændstof								○*3	191

\*1 Foretag første udskiftning efter 20 timers brug.

\*2 Ved 200 driftstimers-eftersynet skal du henvende dig til en godkendt serviceagent eller en maskinforretning.

\*3 Efter tømning af brændstoftanken skal du lade motoren fortsætte med at køre og tømme karburatoren for brændstof.

## Lokalisering af fejl

Fejl	System	Observation	Årsag
Skæreskiven drejer ikke rundt	Kobling	Motoren kører	Beskadigelse af koblingen
Motoren starter ikke eller med besvær	Tænding	Tændingsgnist OK Ingen tændingsgnist	Fejl i brændstofførslen eller kompressionssystemet, mekanisk fejl Betjening af STOP-kontakten, fejl i ledningsnettet eller kortslutning, tændrør eller tændrørshætte defekt, fejl i tændmodul
	Brændstofførsel	Brændstoffuld	Forkert chokerposition, karburator defekt, brændstofslange bøjet eller blokeret, brændstof beskidt
	Kompressionssystem	Ingen kompression ved træk	Cylinderhovedpakning defekt, beskadigede krumtapakselpakninger, cylinder eller stempelringe beskadigede eller tændrørspakning ikke tæt
	Mekanisk fejl Kobling	Starter griber ikke fat Der sidder forurening på koblingen og omkring dele	Starterfjederen er i stykker, dele inde i motoren er i stykker Skraldefjeder forurenede og åbnet, få den rengjort
Problemer ved varmstart	Karburator	Fuld tank, med tændingsgnist	Snavset karburator, få den rensede
Motor starter, men dør straks	Brændstofførsel	Brændstof i tanken	Forkert tomgangsjustering, snavs i sugehoved eller karburator Tankudluftningsventil defekt, brændstofslangen afbrudt, kabel eller STOP-kontakt defekt
Manglende ydeevne	Flere systemer kan være samtidigt påvirkede	Dårlig motortomgang	Luftfilter snavset, karburator snavset, lyddæmper tilstoppet, udstødningskanal i cylinderen tilstoppet



## Fejlfinding

Kontroller selv for fejl, inden du anmoder om reparation. Hvis du finder noget unormalt, skal du kontrollere maskinen i henhold til beskrivelsen i denne brugsanvisning. Undlad at pille ved eller afmontere dele i strid med beskrivelsen. Kontakt en godkendt serviceagent eller lokal forhandler.

Problem	Sandsynlig årsag (funktionsfejl)	Afhjælpning
Motoren starter ikke	Tipperen er ikke blevet anvendt	Tryk 7 til 10 gange
	Langsom træk hastighed ved træk i startersnoren	Træk hårdt til
	Mangel på brændstof	Påfyld brændstof
	Tilstoppet brændstoffilter	Rengør
	Knækket brændstofslange	Ret brændstofslangen ud
	Gammelt brændstof	Gammelt brændstof gør det svært at starte. Udskift med nyt. (Anbefalet udskiftning: 1 måned)
	For stort brændstofindtag	Sæt gashåndtaget fra medium hastighed til høj hastighed, og træk i starterhåndtaget, indtil motoren starter. Skæreskiven begynder at rotere, så snart motoren starter. Vær meget opmærksom på skæreskiven. Hvis motoren stadig ikke starter, fjern tændrørshætten, tør elektroden af, og saml dem igen. Start derefter som anvist.
	Aftaget tændrørshætte	Sæt den ordentligt på
	Snævset tændrør	Rengør
	Unormal tændrørsafstand	Juster afstanden
	Andre problemer med tændrør	Udskift
	Unormal karburator	Anmod om eftersyn og vedligeholdelse.
	Startersnor kan ikke trækkes ud	Anmod om eftersyn og vedligeholdelse.
	Unormalt drivsystem	Anmod om eftersyn og vedligeholdelse.
Forurenede kobling og omkring dele	Rengør	
Motoren stopper hurtigt Motorhastigheden stiger ikke	Utilstrækkelig opvarmning	Foretag opvarmning
	Chokerhåndtaget er sat på "H"-positionen, selvom motoren er varmet op.	Sæt til "ON III"
	Tilstoppet brændstoffilter	Rengør
	Snævset og tilstoppet luftfilter	Rengør
	Unormal karburator	Anmod om eftersyn og vedligeholdelse.
	Unormalt drivsystem	Anmod om eftersyn og vedligeholdelse.
Skæreskiven roterer ikke ↓ Stop straks motoren	Bolten som spænder skæreskiven fast er løs	Stram ordentligt til
	Unormalt drivsystem	Anmod om eftersyn og vedligeholdelse.
Maskinen vibrerer unormalt ↓ Stop straks motoren	Brækket, bøjet eller slidt skæreskive	Udskift klingens
	Bolten som spænder skæreskiven fast er løs	Stram ordentligt til
	Unormalt drivsystem	Anmod om eftersyn og vedligeholdelse.
Skæreskiven stopper ikke med det samme ↓ Stop straks motoren	Høj tomgangsrotation	Juster
	Løsrevet gashåndtagskobling	Anmod om eftersyn og vedligeholdelse.
	Unormalt drivsystem	Anmod om eftersyn og vedligeholdelse.
Motoren stopper ikke ↓ Kør motoren i tomgang og sæt chokerhåndtaget til "H"	Løsrevet kontakt	Sæt den ordentligt på
	Unormalt el-system	Anmod om eftersyn og vedligeholdelse.

Når motoren ikke starter efter foretagelse af opvarmning:

Hvis der ikke er fundet noget unormalt blandt de kontrollerede punkter, skal du åbne gashåndtaget cirka 1/3 og starte motoren.

## Opbevaring

### ADVARSEL:

Når der aftappes brændstof, skal du altid standse motoren, lade den køle af og derefter aftappe brændstoffet.

- Aftapning af brændstof direkte efter standsning af motoren kan forårsage flammer eller brand, hvilket man medføre forbrændinger.

### FORSIGTIG:

Hvis skæremaskinen ikke anvendes i en længere periode, skal al brændstoffet aftappes, og skæremaskinen skal opbevares på et tørt, rent sted.

- Anvend de følgende procedurer til at aftappe brændstof fra brændstoftanken og karburatoren.

- (1) Fjern brændstoftankdækslet, aftap brændstoffet indtil tanken er tom.  
Kontroller på dette tidspunkt, at der ikke er nogen fremmedlegemer inden i brændstoftanken. Hvis der er, skal de fjernes.
- (2) Brug et stykke ståltråd eller lignende til at trække brændstoffilteret ud fra påfyldningsstudsens.
- (3) Tryk på tipperen indtil alt brændstoffet er trængt tilbage i brændstoftanken, og sørg for derefter for at fjerne dette brændstof fra brændstoftanken.
- (4) Sæt brændstoffilteret tilbage på dets plads i brændstoftanken, spænd derefter brændstoftankdækslet ordentligt til.
- (5) Kør til sidst motoren indtil den stopper.
- (6) Fjern tændrøret og aftap de få dråber motorolie ud fra soklen.
- (7) Træk langsomt i starthåndtaget for at cirkulere olien gennem motoren, og monter derefter tændrøret igen.
- (8) Placer det aftappede brændstof i en egnet brændstofbeholder og opbevar den på et sted i skyggen, hvor der er god udluftning.

## Σας ευχαριστούμε που αγοράσατε ένα προϊόν της MAKITA!

Σας συγχαίρουμε για την επιλογή του Βενζινοκίνητου Κόφτη της MAKITA! Είμαστε σίγουροι ότι θα μείνετε ικανοποιημένοι από αυτή τη σύγχρονη συσκευή.

Επιθυμούμε να μείνετε ικανοποιημένοι από το προϊόν της MAKITA. Για την εγγύηση της προσωπικής σας ασφάλειας και τη συνεχή και ιδανική λειτουργία και απόδοση του Βενζινοκίνητου Κόφτη, σας ζητάμε να εκτελέσετε τα παρακάτω:

**Πριν την έναρξη της λειτουργίας του Βενζινοκίνητου Κόφτη για πρώτη φορά διαβάστε προσεκτικά το εγχειρίδιο οδηγιών και εφαρμόστε αυστηρά τους κανονισμούς ασφαλείας! Αν δεν τηρηθούν αυτές οι προφυλάξεις μπορεί να προκληθεί σοβαρός τραυματισμός ή θάνατος!**



Για τις ευρωπαϊκές χώρες μόνο  
ΕΚ – Δήλωση συμμόρφωσης

Η Εταιρία Makita ως υπεύθυνος κατασκευαστής, δηλώνει ότι το παρακάτω μηχάνημα ή μηχανήματα της Makita:

Όνομασία Μηχανήματος: Βενζινοκίνητος Κόφτης

Αρ. Μοντέλου/ Τύπος: EK7650H, EK7651H

Προδιαγραφές: δείτε τον πίνακα με τα «Τεχνικά στοιχεία».

αποτελεί παραγωγή σε σειρά και

**Συμμορφώνεται με την ακόλουθη Ευρωπαϊκή Οδηγία:**

2000/14/EK, 2006/42/EK

Και κατασκευάζεται σύμφωνα με τα παρακάτω πρότυπα ή τυποποιημένα έγγραφα:

EN ISO 19432

Ο εξουσιοδοτημένος μας αντιπρόσωπος στην Ευρώπη διατηρεί τα

τεχνικά έγγραφα, ο οποίος είναι:

Makita International Europe Ltd.,

Michigan Drive, Tongwell,

Milton Keynes, Bucks MK15 8JD, England

Η διαδικασία εκτίμησης συμμόρφωσης που απαιτείται από την

Οδηγία 2000/14/EK εκτελέστηκε σύμφωνα με το Παράρτημα V.

Μετρημένο Επίπεδο Ηχητικής Ισχύος: 113 dB (A)

Εγγυημένο Επίπεδο Ηχητικής Ισχύος: 114 dB (A)

14. 1. 2011

Tomoyasu Kato

Διευθυντής

Makita Corporation

3-11-8, Sumiyoshi-cho,

Anjo, Aichi, 446-8502, JAPAN

## Πίνακας περιεχομένων

## Σελίδα

Συσκευασία .....	210
Περιεχόμενο του παραδοθέντος εμπορεύματος .....	211
Σύμβολα .....	211
<b>ΜΕΤΡΑ ΑΣΦΑΛΕΙΑΣ</b> .....	212
Γενικές προφυλάξεις .....	212
Προστατευτικός εξοπλισμός .....	212
Καύσιμα/Ανεφοδιασμός .....	213
Έναρξη της λειτουργίας .....	213
Δίσκοι αποκοπής .....	214
Κλώστια και μάγκωμα .....	215
Τρόπος / τεχνική εργασίας .....	215
Κοπή μετάλλων .....	216
Κοπή τοιχοποιίας και τσιμέντου .....	216
Μεταφορά και αποθήκευση .....	217
Συντήρηση .....	218
Πρώτες βοήθειες .....	218
<b>Τεχνικά στοιχεία</b> .....	219
<b>Όνομασία εξαρτημάτων</b> .....	220
<b>ΕΝΑΡΞΗ ΛΕΙΤΟΥΡΓΙΑΣ</b> .....	221
Στερέωση του δίσκου κοπής .....	221
Σφίξιμο του ιμάντα V/ Έλεγχος τάνυσης του ιμάντα .....	222
Πριν θέσετε σε λειτουργία .....	222
<b>Για τη λειτουργία</b> .....	224
Ξεκίνημα .....	224
<b>Ρύθμιση του καρμπρατέρ</b> .....	225
<b>ΣΥΝΤΗΡΗΣΗ</b> .....	225
Ιμάντας V .....	226
Καθαρισμός του προστατευτικού καλύμματος .....	226
Καθαρισμός/αντικατάσταση του φίλτρου αέρα .....	227
Συντήρηση μπουζί .....	228
Αντικατάσταση της κεφαλής αναρρόφησης .....	228
Καθαρισμός του εκκινητήρα .....	229
Αλλαγή της θέσης του εξαρτήματος κοπής (κεντρικά/πλευρικά) .....	230
<b>ΕΙΔΙΚΑ ΑΞΕΣΟΥΑΡ</b> .....	231
Διαμαντένιοι δίσκοι κοπής .....	231
Οδηγητικό καρότσι .....	231
Δοχείο νερού (εξάρτημα του καροτσιού) .....	231
Δίκτυο/Πιστικό σύστημα νερού .....	231
<b>Πίνακας συντήρησης</b> .....	232
<b>Εντοπισμός σφάλματος</b> .....	233
<b>Επίλυση προβλημάτων</b> .....	234
<b>Αποθήκευση</b> .....	235

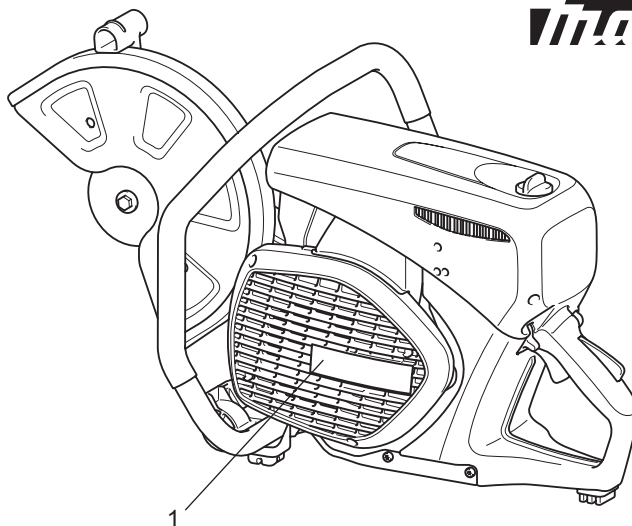
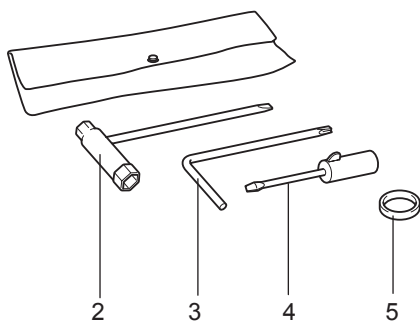
## Συσκευασία

Ο Βενζινοκίνητος Κόφτης της MAKITA είναι συσκευασμένος σε κουτί από χαρτόνι για την πρόληψη ζημιών κατά την αποστολή.

Το χαρτόνι είναι από μια βασική πρώτη ύλη και, συνεπώς, επαναχρησιμοποιήσιμο ή κατάλληλο για ανακύκλωση (ανακύκλωση χαρτινών απορριμμάτων).



## Περιεχόμενο του παραδοθέντος εμπορεύματος



1. Βενζινοκίνητος Κόφτης
2. 13/19 AF σύνθετο κλειδί
3. Αστερόμορφο κλειδί
4. Κατσαβίδι ρύθμισης καρμπρατέρ
5. Προσαρμοστικός δακτύλιος (Τα εργαλεία σε ορισμένες χώρες ενδέχεται να μην απαιτούν αυτό το δακτύλιο.)
6. Εγχειρίδιο οδηγιών (δεν δείχνεται)

Σε περίπτωση που δεν σας παραδόθηκε ένα από τα τμήματα που αναφέρονται στον κατάλογο του παραδοθέντος εμπορεύματος, παρακαλούμε συμβουλευτείτε τον αντιπρόσωπο πωλήσεων.

## Σύμβολα

Θα παρατηρήσετε τα ακόλουθα σύμβολα πάνω στο πριόνι και στο Εγχειρίδιο Οδηγιών:

	Διαβάστε το εγχειρίδιο οδηγιών και ακολουθήστε τις προειδοποιήσεις και τα μέτρα ασφαλείας!		Διαστάσεις του δίσκου κοπής
	Ιδιαίτερη φροντίδα και προσοχή!		Κινητήρας-Χειροκίνητη εκκίνηση
	Απαγορεύεται!		Σταματήστε τον κινητήρα!
	Να φοράτε προστατευτικό κράνος, προστατευτικό για τα μάτια και τα αυτιά, και μάσκα για την αναπνοή!		Προειδοποίηση! Κλώσημα!
	Να φοράτε προστατευτικά γάντια!		Καύσιμο (Βενζίνη)
	Απαγορεύεται το κάπνισμα!		Πρώτες βοήθειες
	Όχι γυμνές φλόγες!		Ανακύκλωση
	Κατεύθυνση περιστροφής του τροχού κοπής		CE - Σήμανση
	<b>⚠ ΠΡΟΕΙΔΟΠΟΙΗΣΗ:</b> η μέγιστη περιφερειακή ταχύτητα του δίσκου κοπής είναι τα 80 μ/δευτ.!		

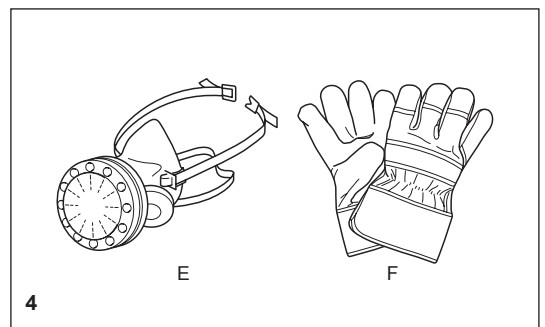
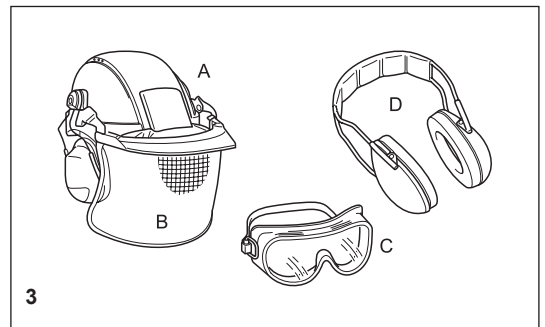
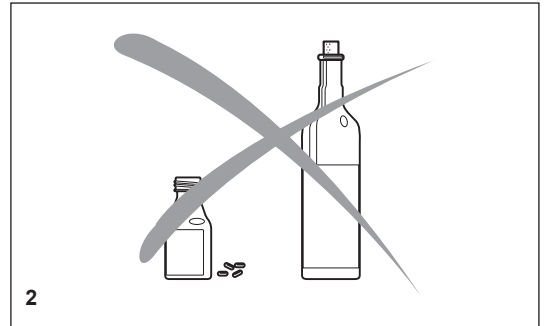
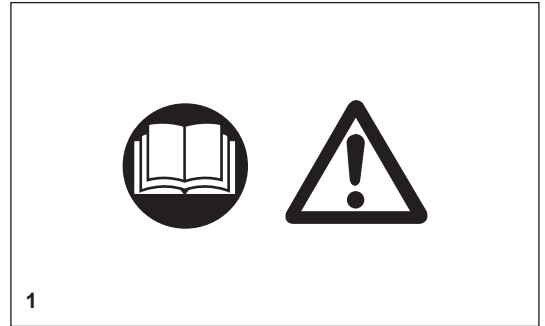
## ΜΕΤΡΑ ΑΣΦΑΛΕΙΑΣ

### Γενικές προφυλάξεις

- Ο χρήστης ΠΡΕΠΕΙ να διαβάσει αυτό το εγχειρίδιο οδηγιών για να εξασφαλίσει την ασφαλή λειτουργία (ακόμη και αν έχετε ήδη εμπειρία στη χρήση πριονιών αποκοπής). Είναι σημαντικό να είστε εξοικειωμένοι με τη λειτουργία του συγκεκριμένου πριονιού αποκοπής. Οι ανεπαρκώς πληροφορημένοι χρήστες θα θέσουν σε κίνδυνο τους ίδιους καθώς και τους άλλους λόγω ακατάλληλου χειρισμού.
- Επιτρέψτε μόνο στα πρόσωπα που έχουν εμπειρία στη χρήση πριονιών αποκοπής να εργαστούν με αυτό το εργαλείο. Όταν επιτρέψετε σε άλλο πρόσωπο τη χρήση του Βενζινοκίνητου Κόφτη, θα πρέπει να του παραδώσετε και αυτό το εγχειρίδιο οδηγιών.
- Τα άτομα που χρησιμοποιούν αυτό το εργαλείο για πρώτη φορά θα πρέπει να ζητήσουν από έναν ειδικό να τους υποδείξει τη χρήση των βενζινοκίνητων πριονιών αποκοπής.
- Στα παιδιά και στα άτομα κάτω των 18 ετών δεν θα πρέπει να τους επιτρέπεται η χρήση αυτού του Βενζινοκίνητου Κόφτη. Τα άτομα ηλικίας άνω των 16 ετών, ωστόσο, μπορούν να κάνουν χρήση του Βενζινοκίνητου Κόφτη για λόγους εκπαίδευσης, εφόσον βρίσκονται υπό την επίβλεψη ενός καταρτισμένου εκπαιδευτή.
- Η εργασία με το Βενζινοκίνητο Κόφτη απαιτεί υψηλή συγκέντρωση.
- Να χρησιμοποιείτε το Βενζινοκίνητο Κόφτη μόνο όταν βρίσκεστε σε καλή φυσική κατάσταση. Εάν είστε κουρασμένοι, η προσοχή σας θα μειωθεί. Να είστε ιδιαίτερα προσεκτικοί κατά το τέλος μιας εργάσιμης ημέρας. Εκτελέστε όλες τις εργασίες με ηρεμία και προσοχή. Ο χρήστης θεωρείται υπεύθυνος για τους άλλους.
- Μην εργάζεστε ποτέ υπό την επήρεια αλκοόλ, ναρκωτικών, φαρμάκων ή άλλων ουσιών που μπορεί να επηρεάσουν την όραση, επιδεξιότητα ή την κρίση.
- Ένας πυροσβεστήρας πρέπει να είναι άμεσα διαθέσιμος κοντά σας.
- Ο αμίαντος και άλλα υλικά που μπορεί να απελευθερώσουν τοξίνες μπορούν να κοπούν μόνο μετά από τη λήψη των απαραίτητων προφυλάξεων ασφαλείας και την κοινοποίηση στις αρμόδιες αρχές και υπό την επίβλεψή τους ή κάποιου άλλου προσώπου οριζόμενου από αυτές.

### Προστατευτικός εξοπλισμός

- Για να αποφευχθούν κατά τη χρήση του Βενζινοκίνητου Κόφτη οι τραυματισμοί του κεφαλιού, των ματιών, των χεριών, των ποδιών καθώς και για την προστασία της ακοής, πρέπει να χρησιμοποιείται ο παρακάτω προστατευτικός εξοπλισμός κατά το χειρισμό του Βενζινοκίνητου Κόφτη:
- Η ενδυμασία πρέπει να είναι λειτουργική, δηλαδή εφαρμοστή, χωρίς όμως να εμποδίζει. Ρούχα στα οποία κόκκοι του υλικού μπορούν να συσσωρευτούν (παντελόνι με ρεβέρ, σακάκια και παντελόνια με ολάνοιχτες τσέπες, κ.λπ.) δεν πρέπει να φοριούνται, ιδιαίτέρως κατά την κοπή μετάλλων.
- Μη φοράτε κοσμήματα ή ρούχα που μπορούν να πιαστούν ή να σας αποσπάσουν την προσοχή από το χειρισμό του Βενζινοκίνητου Κόφτη.
- Είναι απαραίτητο να φοράτε προστατευτικό κράνος όταν εργάζεστε με το Βενζινοκίνητο Κόφτη. Το **προστατευτικό κράνος (A)**, πρέπει να ελέγχεται σε τακτά χρονικά διαστήματα για την ύπαρξη ζημιών και πρέπει να αντικατασταθεί μετά από 5 έτη το αργότερο. Χρησιμοποιείτε μόνο εγκεκριμένα προστατευτικά κράνη.
- Το **γείσο** του κράνου (B), προστατεύει το πρόσωπο από τη σκόνη και τους κόκκους του υλικού. Για την πρόληψη των τραυματισμών στα μάτια και στο πρόσωπο, πάντοτε να φοράτε **προστατευτικά γυαλιά (C)** ή προσωπίδα κατά τη χρήση του Βενζινοκίνητου Κόφτη.
- Για να αποφύγετε τη βλάβη στην ακοή, να φοράτε πάντα τα κατάλληλα μέσα ατομικής **προστασίας της ακοής** (Ωτοασπίδες (D), ηχομονωτικά αυτιών, κ.λπ.). Ανάλυση ζώνης οκτάβας, κατόπιν απήσεως.
- Κατά την στεγνή κοπή υλικών που παράγουν σκόνη όπως η πέτρα ή το σκυρόδεμα, πάντα να φοράτε μια εγκεκριμένη **μάσκα για την αναπνοή (E)**.
- Τα **γάντια εργασίας (F)** από ανθεκτικό δέρμα αποτελούν μέρος του απαιτούμενου εξοπλισμού για εργασία με το Βενζινοκίνητο Κόφτη και πρέπει πάντοτε να φοριούνται κατά της χρήσης του Βενζινοκίνητου Κόφτη.



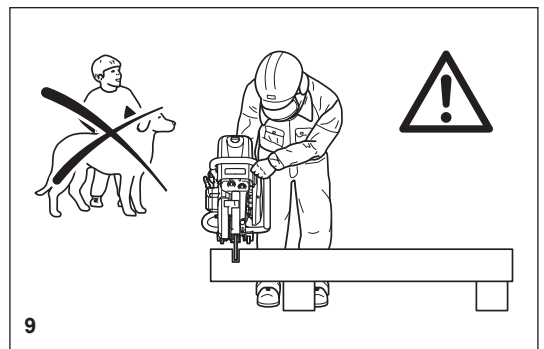
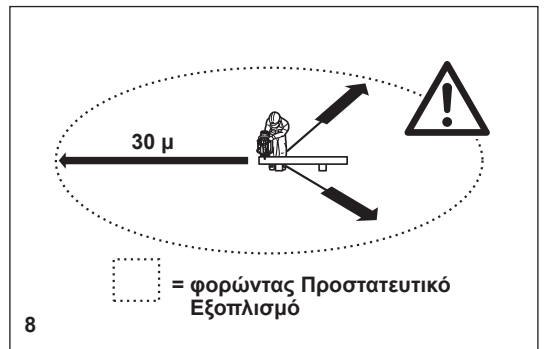
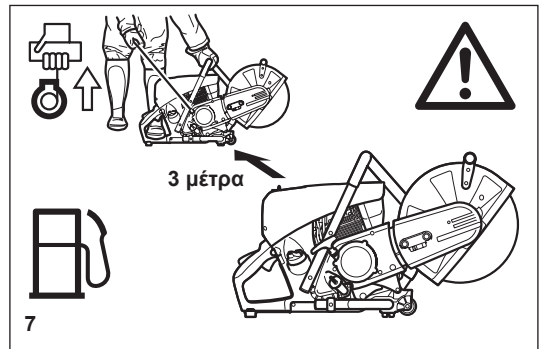
- Πάντοτε να φοράτε **παπούτσια ασφαλείας ή μπότες (G)** με χαλύβδινα προστατευτικά δακτύλων των ποδιών, αντιολισθητικές σόλες, καθώς και προστατευτικά των κάτω άκρων κατά την εργασία με το Βενζινοκίνητο Κόφτη. Τα παπούτσια ασφαλείας με προστατευτική επένδυση προσφέρουν προστασία έναντι των κοψιμάτων και εξασφαλίζουν σταθερότητα στο πάτημα.
- Πάντα να φοράτε **φόρμα εργασίας (H)** από ανθεκτικό υλικό.

### Καύσιμα/Ανεφοδιασμός

- Μεταβείτε σε έναν ασφαλές, επίπεδο χώρο πριν από τον ανεφοδιασμό. **Ποτέ μην ανεφοδιάζετε τα καύσιμα πάνω σε σκαλωσιές, σε σωρούς υλικών ή σε παρόμοιες θέσεις!**
- Σβήστε τον κινητήρα πριν τον ανεφοδιασμό του Βενζινοκίνητου Κόφτη.
- Μην καπνίζετε ή εργάζεστε κοντά σε γυμνές φλόγες (6).
- Αφήστε τον κινητήρα να κρυώσει πριν τον ανεφοδιασμό.
- Τα καύσιμα μπορεί να περιέχουν ουσίες παρόμοιες με διαλύτες. Τα μάτια και το δέρμα δεν πρέπει να έρχονται σε επαφή με προϊόντα πετρελαιοειδών. Να φοράτε πάντα προστατευτικά γάντια κατά τον ανεφοδιασμό (όχι τα συνηθισμένα γάντια εργασίας!). Να καθαρίζετε συχνά και να αλλάζετε τα προστατευτικά ρούχα. Μην εισπνέετε τους ατμούς των καυσίμων. Η εισπνοή των ατμών των καυσίμων μπορεί να είναι επικίνδυνη για την υγεία σας.
- Μην χύνετε κάτω καύσιμα. Εάν το καύσιμο χυθεί κάτω, καθαρίστε το Βενζινοκίνητο Κόφτη αμέσως. Το καύσιμο δεν πρέπει να έρθει σε επαφή με τα ρούχα. Αν τα ρούχα σας έχουν έρθει σε επαφή με το καύσιμο, αλλάξτε τα αμέσως.
- Βεβαιωθείτε ότι το καύσιμο δεν θα διαρρεύσει μέσα στο έδαφος (προστασία του περιβάλλοντος). Χρησιμοποιήστε μια κατάλληλη βάση.
- Ο ανεφοδιασμός δεν επιτρέπεται σε κλειστούς χώρους. Οι ατμοί καυσίμου θα συσσωρευτούν πλησίον του δαπέδου (κίνδυνος έκρηξης).
- Βεβαιωθείτε να σφίξετε καλά το βιδωτό καπάκι του ρεζερβουάρ καυσίμου.
- Πριν την εκκίνηση του κινητήρα, μετακινήστε σε μια περιοχή τουλάχιστον 3 μέτρα (περίπου 3 1/4 γιάρδες) από το σημείο ανεφοδιασμού του Βενζινοκίνητου Κόφτη (7), αλλά έξω από το προτεταμένο εύρος περιστροφής του δίσκου κοπής (κατεύθυνση των σπινθήρων).
- Το καύσιμο δεν μπορεί να αποθηκευτεί για απεριόριστο χρονικό διάστημα. Αγοράστε μόνο όσο πρόκειται να καταναλωθεί στο άμεσο μέλλον.
- Χρησιμοποιείτε μόνο εγκεκριμένα και επισήμασμένα δοχεία για τη μεταφορά και την αποθήκευση των καυσίμων.
- **Κρατήστε τα καύσιμα μακριά από τα παιδιά!**

### Έναρξη της λειτουργίας

- **Μην εργάζεστε μόνοι σας. Για την περίπτωση έκτακτης ανάγκης θα πρέπει να βρίσκεται κάποιος πλησίον σας (σε απόσταση ακοής).**
- Τηρείτε όλους τους κανονισμούς έναντι του θορύβου κατά την εργασία σε κατοικημένες περιοχές.
- **Μην χρησιμοποιείτε ποτέ το Βενζινοκίνητο Κόφτη κοντά σε εύφλεκτα υλικά ή εκρηκτικά αέρια! Ο Βενζινοκίνητος Κόφτης μπορεί να δημιουργήσει σπινθήρες που οδηγούν σε πυρκαγιά ή έκρηξη!**
- Βεβαιωθείτε ότι όλα τα άτομα που βρίσκονται μέσα στα 30 μέτρα (33 γιάρδες) απόσταση, όπως άλλοι εργαζόμενοι, φορούν προστατευτικό εξοπλισμό (βλέπετε το «Προστατευτικός εξοπλισμός») (8). Τα παιδιά και τα άλλα μη εξουσιοδοτημένα άτομα πρέπει να παραμείνουν περισσότερο από 30 μέτρα μακριά από το χώρο εργασίας. Προσέξτε επίσης για την ύπαρξη ζώων (9).
- **Πριν την έναρξη της εργασίας πρέπει να ελέγχετε την απρόσκοπτη λειτουργία του Βενζινοκίνητου Κόφτη και την κατάσταση ασφαλούς λειτουργίας σύμφωνα με τις προδιαγραφές.**  
Ειδικότερα, βεβαιωθείτε ότι ο τροχός κοπής βρίσκεται σε καλή κατάσταση (αντικαταστήστε τον αμέσως αν είναι σκισμένος, κατεστραμμένος ή λυγισμένος), ο τροχός κοπής είναι κατάλληλα στερεωμένος, το προστατευτικό κάλυμμα είναι κλειδωμένο στη θέση του, ο προφυλακτήρας του χεριού είναι κατάλληλα στερεωμένος, ο μίαντας V έχει τη σωστή τάση, το γκάτζι κινείται εύκολα και οι χειρολαβές είναι καθαρές και στεγνές, καθώς και ότι ο σύνθετος διακόπτης λειτουργεί σωστά.
- Ξεκινήστε το Βενζινοκίνητο Κόφτη μόνο μετά την ολοκλήρωση της συναρμολόγησης και της επιθεώρησης. Ποτέ μη χρησιμοποιείτε το Βενζινοκίνητο Κόφτη, όταν δεν είναι πλήρως συναρμολογημένος.





## Δίσκοι αποκοπής

- Το προστατευτικό κάλυμμα πρέπει να είναι πάντα επάνω! Αλλάζετε δίσκους μόνο με τον κινητήρα σβηστό!
- Υπάρχουν δύο βασικοί τύποι δίσκων αποκοπής:
  - Για μέταλλα (ζεστή κοπή)
  - Για τοιχοποιία (ψυχρή κοπή)

### ΣΗΜΕΙΩΣΗ:

Όταν χρησιμοποιείτε διαμαντένιους δίσκους αποκοπής, πάντα να σιγουρεύεστε ότι τηρείτε τις σημάνσεις της «κατεύθυνσης περιστροφής». Οι διαμαντένιοι δίσκοι πρέπει να χρησιμοποιούνται μόνο για την κοπή τοιχοποιίας/τούβλων/σκυροδέματος, κλπ.

- Οι δίσκοι αποκοπής προορίζονται μόνο για ακτινική φόρτιση, δηλαδή για την κοπή.  
Μην τροχίζετε με την πλευρά του δίσκου κοπής! Η ενέργεια αυτή θα σπάσει το δίσκο (10)!

### ⚠ ΠΡΟΣΟΧΗ:

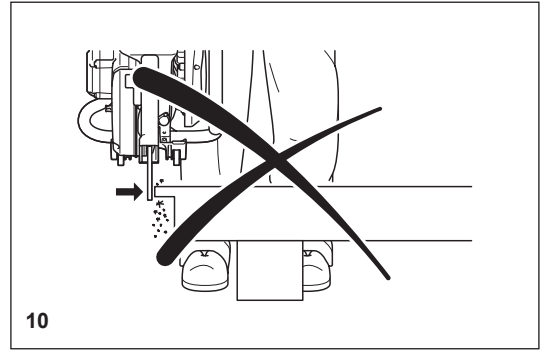
Ποτέ μην αλλάζετε κατεύθυνση (ακτίνα στροφής μικρότερη των 5 μέτρων / 5 1/2 γιάρδες), ασκήσετε πλευρική (στο πλάι) πίεση, ή δώσετε κλίση στον Βενζινοκίνητο Κόφτη κατά τη διάρκεια της κοπής (11)!

- Χρησιμοποιήστε ένα δίσκο κοπής μόνο για την κοπή των υλικών για τα οποία προορίζεται. Ο σωστός τύπος δίσκου πρέπει να χρησιμοποιείται, για τα μέταλλα ή την τοιχοποιία.
- Η τρύπα του άξονα (οπή) του δίσκου κοπής πρέπει να χωράει ακριβώς τον άξονα. Αν η τρύπα του άξονα είναι μεγαλύτερη από τη διάμετρο του άξονα τότε ένας ενδιάμεσος δακτύλιος πρέπει να χρησιμοποιηθεί (αξεσουάρ).
- Χρησιμοποιείτε μόνο τροχούς κοπής που είναι εγκεκριμένοι από την DSA (Γερμανική Επιτροπή Λειαντικών Δίσκων) ή από ισοδύναμο οργανισμό για την ελεύθερη κοπή μέχρι τις 4.370 ΣΑΛ (= 80 μ/δευτ. στην περιφέρεια) για δίσκους 14"/355 χιλ., ή έως 5.100 ΣΑΛ (= 80 μ/δευτ. στην περιφέρεια) για δίσκους 12"/300 χιλ.
- Ο δίσκος πρέπει να είναι απαλλαγμένος από ελαττώματα (12). Μη χρησιμοποιείτε ελαττωματικούς δίσκους κοπής.

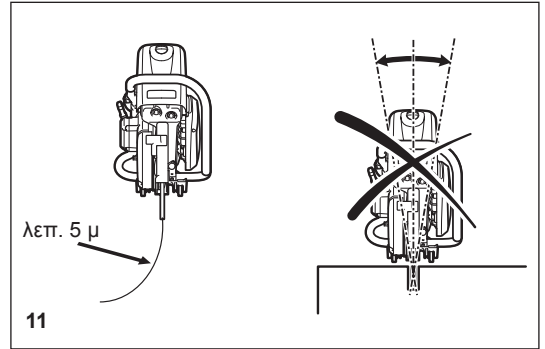
**Πάντα να σφίγγετε το μπουλόνι στερέωσης του δίσκου κοπής με μια ροπή των 30 Nm. Σε αντίθετη περίπτωση, ο δίσκος κοπής μπορεί να συστραφεί.**

- Πριν από την εκκίνηση του δίσκου κοπής, βεβαιωθείτε ότι έχετε ένα σταθερό πάτημα.
- Θέστε σε λειτουργία το Βενζινοκίνητο Κόφτη μόνο όπως περιγράφεται στο παρόν εγχειρίδιο οδηγιών (13). Πάντα να τοποθετείτε το αριστερό σας πόδι στην πίσω λαβή και να πιάστε την άλλη λαβή σταθερά (με τον αντίχειρα και τα δάκτυλά σας). Άλλοι μέθοδοι εκκίνησης δεν επιτρέπονται.
- Κατά την εκκίνηση του ο Βενζινοκίνητος Κόφτης πρέπει να υποστηρίζεται καλά και να συγκρατείται σταθερά. Ο δίσκος κοπής δεν πρέπει να αγγίζει τίποτα.
- Αν ο δίσκος κοπής είναι καινούργιος, δοκιμάστε τον λειτουργώντας τον τουλάχιστον για 60 δευτερόλεπτα στη μέγιστη ταχύτητα. Όταν το κάνετε αυτό, βεβαιωθείτε ότι δεν υπάρχουν πρόσωπα ή μέρη του σώματος μέσα στο προτεταμένο εύρος περιστροφής του δίσκου, σε περίπτωση που είναι ελαττωματικός και πεταχτεί μακριά.
- Κατά την εργασία με τον Βενζινοκίνητο Κόφτη πάντα να τον κρατήσετε με τα δύο χέρια. Πιάστε την πίσω λαβή με το δεξί χέρι και τη σωληνοειδή λαβή με το αριστερό χέρι. Κρατήστε τις λαβές στενά με τους αντίχειρές σας να βλέπουν τα δάχτυλά σας.
- **ΠΡΟΣΟΧΗ:** Όταν αφήσετε τον μοχλό του γκαζιού ο δίσκος θα συνεχίσει να περιστρέφεται για ένα μικρό χρονικό διάστημα (φαινόμενο της αδράνειας).
- Να βεβαιώνετε πάντοτε ότι έχετε ένα ασφαλές πάτημα.
- Κρατήστε τον Βενζινοκίνητο Κόφτη έτσι ώστε να μην αναπνέετε τα καυσαέρια. Να μην εργάζεστε μέσα κλειστούς χώρους ή σε βαθιές οπές ή αυλάκια (κίνδυνος δηλητηρίασης από τους καπνούς).
- **Απενεργοποιήστε τον Βενζινοκίνητο Κόφτη αμέσως αν παρατηρήσετε τυχόν αλλαγές στη συμπεριφορά λειτουργίας του.**
- **Σβήστε τον κινητήρα πριν από την επιθεώρηση του ιμάντα V ή το σφίξιμο του, την αντικατάσταση του τροχού κοπής, την επανατοποθέτηση του εξαρτήματος του κόφτη (πλευρά ή μεσαία θέση) ή την διόρθωση σφαλμάτων (14).**
- Σβήστε αμέσως τον κινητήρα και ελέγξτε το δίσκο αν ακούτε ή αισθάνεστε οποιαδήποτε αλλαγή στην συμπεριφορά κοπής.
- Σβήστε το Βενζινοκίνητο Κόφτη όταν κάνετε διάλειμμα ή σταματάτε την εργασία (14). Τοποθετήστε τη συσκευή με τέτοιο τρόπο ώστε ο δίσκος να μην αγγίζει τίποτα και να μην μπορεί να θέσει σε κίνδυνο κανέναν.
- Μην τοποθετείτε τον υπερθερμασμένο Βενζινοκίνητο Κόφτη πάνω σε ξερό χορτάρι ή σε οποιαδήποτε εύφλεκτα αντικείμενα. Ο σιγαστήρας είναι πολύ ζεστός (κίνδυνος πυρκαγιάς).

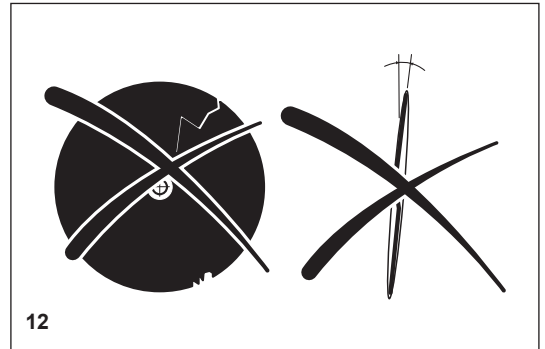
- **ΣΗΜΑΝΤΙΚΟ:** Μετά από μια υγρή κοπή, πρώτα διακόψετε την παροχή νερού και αφήστε το δίσκο να περιστραφεί για τουλάχιστον 30 δευτερόλεπτα, για να απομακρυνθεί το υπόλοιπο νερό και να αποτραπεί η διάβρωση.



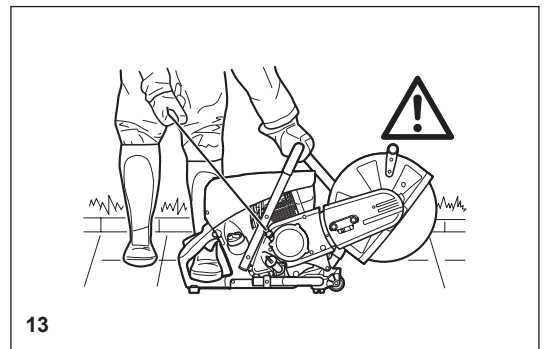
10



11



12



13



14

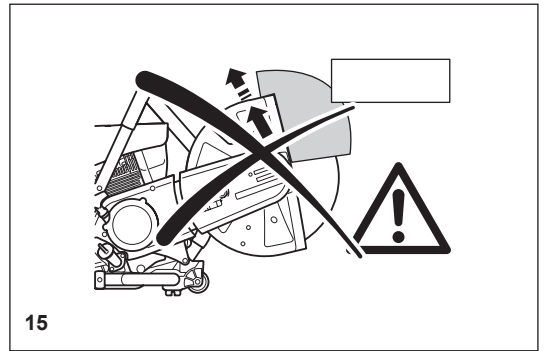


## Κλώσημα και μάγκωμα

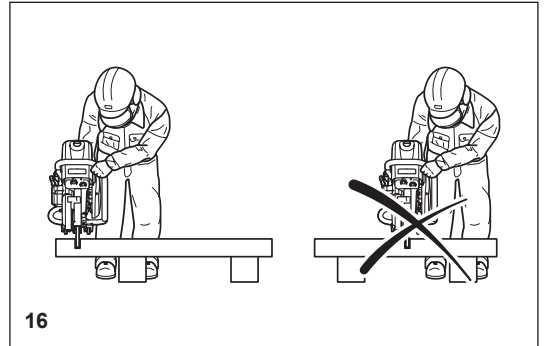
- Κατά την εργασία με το Βενζινοκίνητο Κόφτη υπάρχει κίνδυνος κλωστήματος και μαγκώματος.
- Το κλώσημα συμβαίνει όταν η κορυφή του δίσκου κοπής χρησιμοποιείται για την κοπή (15).
- Αυτό προκαλεί το πέταγμα προς τα πίσω του Βενζινοκίνητου Κόφτη προς το μέρος του χρήστη με μεγάλη δύναμη και χωρίς έλεγχο. **Κίνδυνος τραυματισμού!** **Για την πρόληψη του κλωστήματος, τηρήστε τα παρακάτω:**
- Ποτέ μην κόβετε με το τμήμα του δίσκου κοπής που δείχνεται στο σχήμα 15. **Να είστε ιδιαίτερα προσεκτικοί όταν επαναφέρετε το δίσκο μέσα σε τομές που έχουν ήδη ξεκινήσει!**
- Το μάγκωμα συμβαίνει όταν η κοπή στενεύει (ρωγμή, ή τεμάχιο εργασίας υπό πίεση).
- Αυτό προκαλεί το πέταγμα του Βενζινοκίνητου Κόφτη προς τα εμπρός, εκτός ελέγχου και με μεγάλη δύναμη. **Κίνδυνος τραυματισμού!** **Για την πρόληψη του μαγκώματος, τηρήστε τα ακόλουθα:**
- Κατά την επανεισαγωγή του δίσκου σε προηγούμενες τομές, λειτουργήστε το Βενζινοκίνητο Κόφτη στη μέγιστη ταχύτητα. Πάντοτε να κόβετε με τη μέγιστη ταχύτητα.
- Πάντα να στηρίζετε το τεμάχιο εργασίας ώστε η τομή να είναι υπό τάση (16), έτσι ώστε η τομή να μην πιέζει μαζί τα δυο διακοπτόμενα μέρη μπλοκάροντας το δίσκο κοπής, καθώς προχωρά μέσα στο υλικό.
- Όταν αρχίζετε μια κοπή, τοποθετήστε το δίσκο στο τεμάχιο εργασίας με προσοχή. Μην τον ωθείτε μόνο μέσα στο υλικό.
- Ποτέ μην κόβετε παραπάνω από ένα κομμάτι τη φορά! Κατά την κοπή, βεβαιωθείτε ότι κανένα άλλο τεμάχιο εργασίας δεν βρίσκεται σε επαφή.

## Τρόπος / τεχνική εργασίας

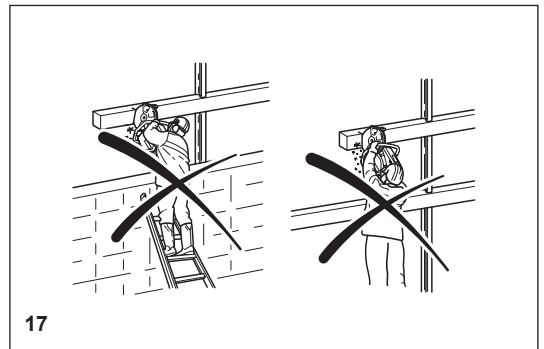
- Πριν ξεκινήσετε την εργασία, ελέγξτε τον χώρο εργασίας για τυχόν κινδύνους (ηλεκτρικά καλώδια, εύφλεκτες ουσίες). Επισημάνετε με εμφανές τρόπο το χώρο εργασίας (π.χ. με προειδοποιητικές πινακίδες ή κυκλώστε με κορδόνι την περιοχή).
- Κατά την εργασία με το Βενζινοκίνητο Κόφτη κρατάτε τον σταθερά από τις εμπρός και πίσω χειρολαβές. Μην αφήνετε ποτέ τον Βενζινοκίνητο Κόφτη χωρίς επίβλεψη!
- Όταν είναι δυνατόν λειτουργήστε τον Βενζινοκίνητο Κόφτη στην ονομαστική ταχύτητα του άξονα (βλ. «Τεχνικά στοιχεία»).
- Χρησιμοποιείτε μόνο τον Βενζινοκίνητο Κόφτη κατά τη διάρκεια καλού φωτισμού και ορατότητας. Προσέχετε τις ολισθηρές ή υγρές περιοχές, καθώς και τον πάγο και το χιόνι (κίνδυνος ολίσθησης).
- Ποτέ να μην εργάζεστε πάνω σε ασταθείς επιφάνειες. Βεβαιωθείτε ότι δεν υπάρχουν εμπόδια στο χώρο εργασίας, κίνδυνος να σκοντάψετε. Να βεβαιώνετε πάντοτε ότι έχετε ένα ασφαλές πάτημα.
- Ποτέ μην κόβετε πάνω από το ύψος των ώμων σας (17).
- Ποτέ να μην στέκεστε σε μια σκάλα για να κόψετε (17).
- Μην χρησιμοποιείτε ποτέ τον Βενζινοκίνητο Κόφτη, όταν στέκεστε σε σκαλωσιές.
- Μην σκύβετε πάνω από πολύ μακριά, όταν εργάζεστε. Κατά την τοποθέτηση προς τα κάτω και την ανύψωση του Βενζινοκίνητου Κόφτη, μην σκύβετε με τη μέση αλλά, αντίθετα, λυγίζετε τα γόνατα. Προφυλάξτε την πλάτη σας!
- Κατευθύνετε τον Βενζινοκίνητο Κόφτη με τέτοιο τρόπο ώστε κανένα μέρος του σώματός σας να μην βρίσκεται μέσα στο προτεταμένο εύρος περιστροφής του δίσκου (18).
- Χρησιμοποιήστε τους δίσκους κοπής μόνο για τα υλικά για τα οποία έχουν σχεδιαστεί!
- Μην χρησιμοποιείτε τον Βενζινοκίνητο Κόφτη για την ανύψωση και το πέταγμα μακριά τεμαχίων υλικού και άλλων αντικειμένων. **Σημαντικό!** Πριν από την κοπή, αφαιρέστε όλα τα ξένα σώματα, όπως πέτρες, χαλίκια, καρφιά κ.λπ. από την περιοχή κοπής. Διαφορετικά, αυτά τα αντικείμενα μπορεί να πεταχτούν μακριά από τον δίσκο με μεγάλη ταχύτητα. **Κίνδυνος τραυματισμού!**
- Κατά την κοπή των άκρων των τεμαχίων εργασίας χρησιμοποιήστε μια σταθερή στήριξη. Εάν είναι απαραίτητο, στερεώστε το τεμάχιο εργασίας ώστε να μην γλιστρήσει, αλλά μην το σταθεροποιήσετε με το πόδι σας ή μην ζητήσετε από άλλο άτομο για να το κρατήσει.
- Κατά την κοπή στρογγυλών αντικειμένων, πάντοτε να τα στερεώνετε ώστε να μην περιστρέφονται.
- Όταν κατευθύνετε το Βενζινοκίνητο Κόφτη με το χέρι, να χρησιμοποιήσετε την πλευρική θέση στερέωσης του εξαρτήματος του κόφτη μόνο όταν πραγματικά χρειάζεται.
- Διαφορετικά, χρησιμοποιείτε πάντα την κεντρική θέση. Αυτό δίνει στη μονάδα μια καλύτερη ισορροπία, για τη μείωση της κόπωσης του χειριστή.



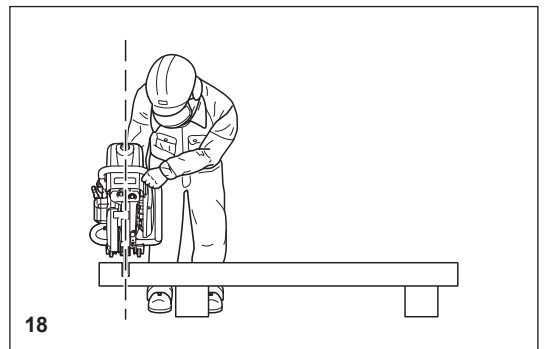
15



16



17



18

## Κοπή μετάλλων

### ⚠ ΣΗΜΑΝΤΙΚΟ!

Πάντα να φοράτε μια εγκεκριμένη μάσκα για την αναπνοή!

Τα υλικά που μπορούν να αποδεσμεύσουν τοξικές ουσίες μπορεί να κοπούν μόνο μετά από κοινοποίηση προς τις αρμόδιες αρχές και υπό την επίβλεψη τους ή κάποιου προσώπου οριζόμενου από αυτές.

### ⚠ ΠΡΟΣΟΧΗ:

Η γρήγορη περιστροφή του δίσκου κοπής θερμαίνει τα μέταλλα και τα λιώνει στο σημείο της επαφής. Περιστρέψτε τον προφυλακτήρα όσο το δυνατόν πιο κάτω, πίσω από την κοπή (19), προκειμένου να κατευθυνθούν οι σπίθες προς τα εμπρός, μακριά από τον χειριστή (κίνδυνος πυρκαγιάς).

- Προσδιορίστε την κατεύθυνση της κοπής, σημαδέψτε την κοπή και τοποθετήστε το δίσκο πάνω στο υλικό με μέτρια ταχύτητα, για να κόψετε μια καθοδηγητική αυλάκωση πριν προχωρήσετε στη μέγιστη ταχύτητα και ασκήσετε περισσότερη πίεση στον Βενζινοκίνητο Κόφτη.
- Κρατήστε το δίσκο σε ευθεία γραμμή και κάθετα. Μην του δώσετε κλίση, καθώς αυτή η ενέργεια μπορεί να τον σταθεί.
- Ο καλύτερος τρόπος για να κάνετε μια καλή, καθαρή κοπή είναι να τραβήξετε ή να μετακινήσετε το Βενζινοκίνητο Κόφτη εμπρός και πίσω. Μην πιέζετε απλά το δίσκο μέσα στο υλικό.
- Τα παχιά στρογγυλά τεμάχια κόβονται καλύτερα κατά στάδια (20).
- Οι λεπτές σωληνώσεις και οι σωλήνες μπορούν να κοπούν με μια απλή τομή προς τα κάτω.
- Κόβετε σωλήνες μεγάλης διαμέτρου με τον ίδιο τρόπο με τα στρογγυλά τεμάχια. Για να αποφευχθεί η ανατροπή και για τον καλύτερο έλεγχο, μην αφήνετε το δίσκο να μπαίνει πολύ βαθιά μέσα στο υλικό. Αντί για αυτό, πάντα να εκτελείτε ρηχές τομές γύρω από ολόκληρο το τεμάχιο.
- Οι φθαρμένα δίσκοι έχουν μικρότερη διάμετρο από τους καινούργιους δίσκους, έτσι ώστε με την ίδια ταχύτητα του κινητήρα να έχουν χαμηλότερη αποτελεσματική περιμετρική ταχύτητα και ως εκ τούτου δεν εκτελούν καλές τομές επίσης.
- Κόβετε δοκούς τύπου I και ράβδους τύπου L κατά τμήματα, δείτε την Εικόνα 21.
- Κόβετε λουρίδες και πλάκες όπως τις σωλήνες: κατά μήκος της πλατιάς πλευράς με μια μακριά τομή.
- Κατά την κοπή υλικού υπό πίεση (υποστηριζόμενο υλικό ή υλικό σε κατασκευές), πάντοτε να κάνετε μια εγκοπή στην πλευρά ώθησης (πίεση), και στη συνέχεια κόψετε από την πλευρά της τάσης, έτσι ώστε ο δίσκος να μην μαγκώσει.

**Στερεώστε το υλικό αποκοπής ώστε να μην πέσει!**

### ⚠ ΠΡΟΣΟΧΗ:

Αν το υλικό βρεθεί υπό πίεση, να είστε προετοιμασμένοι στην περίπτωση που κλωστήσει. Βεβαιωθείτε ότι μπορείτε να απομακρυνθείτε, αν πρέπει να το κάνετε!

Να είστε ιδιαίτερα προσεκτικοί στους χώρους με παλιοσίδηρα, σκουπίδοτοπους, χώρους ατυχημάτων, καθώς και στους ακατάστατους σωρούς υλικών. Τα επισφαλώς ισορροπημένα τεμάχια ή τα τεμάχια υπό πίεση μπορεί να ενεργήσουν με απρόβλεπτους τρόπους, και μπορεί να γλιστρήσουν, να πεταχτούν προς τα έξω, ή να εκραγούν. Μην αφήσετε το υλικό αποκοπής να πέσει κάτω! Πάντα να είστε ιδιαίτερα προσεκτικοί και να χρησιμοποιείτε μόνο τον εξοπλισμό που βρίσκεται σε τέλεια λειτουργική κατάσταση.

Τηρήστε τους κανόνες πρόληψης των ατυχημάτων και των κανονισμών του εργοδότη σας και/ή του ασφαλιστικού οργανισμού.

## Κοπή τοιχοποιίας και τσιμέντου

### ΣΗΜΑΝΤΙΚΟ!

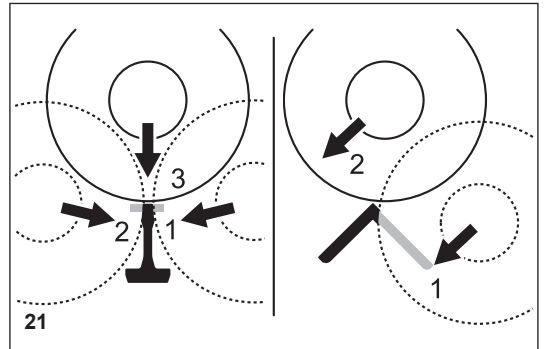
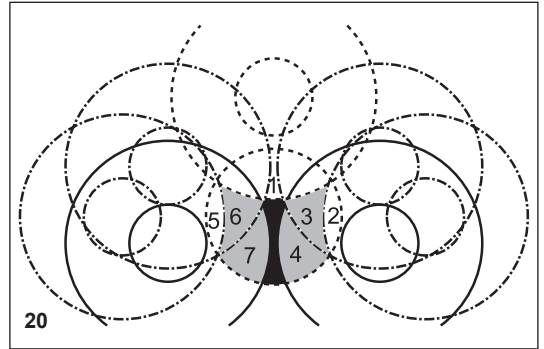
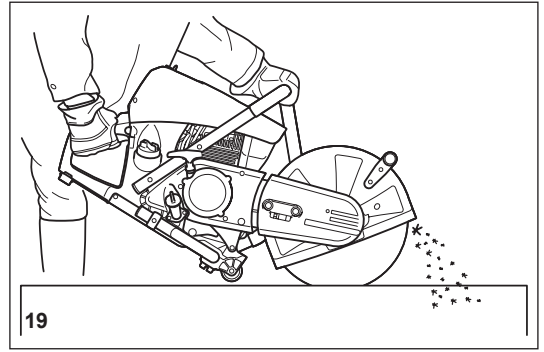
Πάντα να φοράτε μια εγκεκριμένη μάσκα για την αναπνοή!

Ο αμιάντος και άλλα υλικά που μπορούν να αποδεσμεύσουν τοξικές ουσίες μπορεί να κοπούν μόνο μετά από κοινοποίηση προς τις αρμόδιες αρχές και υπό την επίβλεψη τους ή κάποιου προσώπου οριζόμενου από αυτές.

Κατά την κοπή στύλων από προεντεταμένο και οπλισμένο σκυρόδεμα, ακολουθήστε τις οδηγίες και τα πρότυπα των αρμόδιων αρχών ή τον κατασκευαστή του δομικού μέλους. Οι ενισχυμένοι ράβδοι πρέπει να κόβονται με τη προκαθορισμένη σειρά και σύμφωνα με τους ισχύοντες κανονισμούς ασφαλείας.

### ΣΗΜΕΙΩΣΗ:

Το κονίαμα, η πέτρα και το τσιμέντο δημιουργούν μεγάλες ποσότητες σκόνης κατά τη διάρκεια της κοπής. Για να αυξηθεί η διάρκεια ζωής του δίσκου κοπής (με ψύξη), για τη βελτίωση της ορατότητας και για να αποφευχθεί η υπερβολική δημιουργία σκόνης, σας συνιστούμε ανεπιφύλακτα την υγρή κοπή, αντί της ξηράς κοπής.



Στην υγρή κοπή, ο δίσκος βρέχεται σε ίσο ποσοστό και στις δύο πλευρές με μια σταλαγματιά νερού. Η ΜΑΚΙΤΑ προσφέρει τα κατάλληλα αξεσουάρ για όλες τις υγρές εφαρμογές κοπής (δείτε επίσης το «ΕΙΔΙΚΑ ΑΞΕΣΟΥΑΡ»).

- Απομακρύνετε τα ξένα αντικείμενα, όπως την άμμο, τις πέτρες και τα καρφιά που βρίσκονται μέσα στο χώρο εργασίας. **ΠΡΟΣΟΧΗ: Προσέξτε τα ηλεκτρικά καλώδια και τα σύρματα!**

**Η γρήγορη περιστροφή του δίσκου κοπής στο σημείο επαφής πετάει κομμάτια από την εγκοπή με μεγάλη ταχύτητα. Για την ασφάλειά σας, στρέψτε το προστατευτικό κάλυμμα όσο το δυνατόν περισσότερο προς τα κάτω πίσω από την κοπή (23), έτσι ώστε τα θραύσματα υλικών να εκτινάσσονται προς τα εμπρός, μακριά από τον χρήστη.**

- Σημειώστε το σημείο κοπής, και κάνετε στη συνέχεια μια τομή περίπου 5 χιλ (μόλις κάτω από το 1/5") σε όλο το μήκος της σχεδιαζόμενης κοπής. Αυτή η τομή στη συνέχεια θα καθοδηγήσει τον Βενζινοκίνητο Κόφτη με ακρίβεια στην πραγματική αποκοπή.

#### ΣΗΜΕΙΩΣΗ:

Για τις μακρές, ευθείες κοπές σας συνιστούμε να χρησιμοποιήσετε ένα καρότσι (24, δείτε επίσης το «ΕΙΔΙΚΑ ΑΞΕΣΟΥΑΡ»). Αυτό το καθιστά πολύ πιο εύκολη την καθοδήγηση της συσκευής σε ευθεία γραμμή.

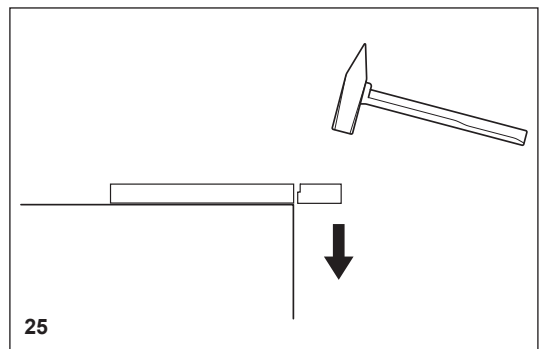
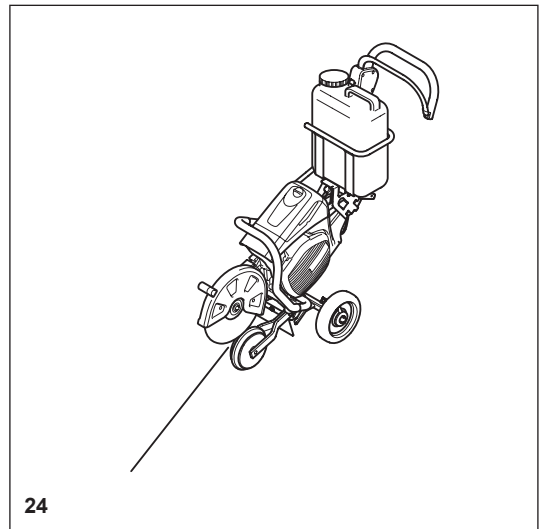
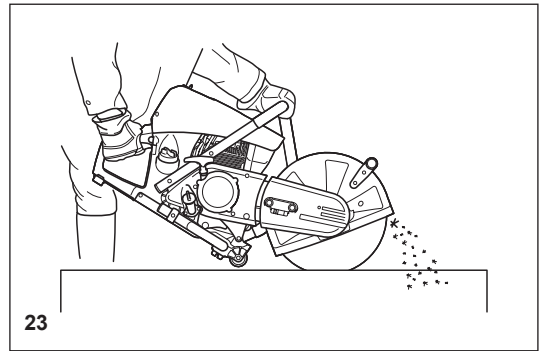
- Εκτελέστε το κόψιμο με μια σταθερή παλινδρομική κίνηση εμπρός και πίσω.
- Κατά την κοπή πλακών σε ένα ορισμένο μέγεθος, δεν χρειάζεται να κοπεί όλο το πάχος του υλικού (δημιουργία περιττής σκόνης). Αντί για αυτό, απλά κάντε μια ρηχή εντομή, και στη συνέχεια κόψτε το πλεονάζον υλικό εύκολα και ολοκληρωτικά πάνω μια επίπεδη επιφάνεια (25).

#### ΠΡΟΣΟΧΗ!

Κατά την κοπή κατά μήκος, την κοπή διαμέσου υλικών, τη δημιουργία αποκομμάτων, κλπ., πάντα να φροντίζετε να προγραμματίζετε τη διεύθυνση και την ακολουθία των κοπών κατά τέτοιο τρόπο ώστε ο δίσκος να μην μπλοκάρει από το αποκομμένο τεμάχιο, και να μην είναι δυνατός ο τραυματισμός κάποιου ατόμου από πτώση τεμαχίων.

#### Μεταφορά και αποθήκευση

- **Σβήνετε πάντα τον Βενζινοκίνητο Κόφτη κατά την μεταφορά ή την κίνηση από μέρος σε μέρος σε μια τοποθεσία (26).**
- **Ποτέ να μην μεταφέρετε ή να μετακινήσετε τη συσκευή με τον κινητήρα αναμμένο ή όταν ο δίσκος κινείται!**
- Μεταφέρετε τη συσκευή μόνο από τη κυλινδρική (στο μέσον) λαβή με το δίσκο κοπής να κατευθύνεται πίσω από εσάς (26). Αποφύγετε την επαφή με το σιγαστήρα της εξάτμισης (κίνδυνος εγκαύματος !)
- Κατά τη μετακίνηση του Βενζινοκίνητου Κόφτη σε μεγαλύτερες αποστάσεις, χρησιμοποιήστε ένα καροτσάκι ή βαγόνι.
- Κατά τη μεταφορά του Βενζινοκίνητου Κόφτη πάνω σε ένα όχημα, βεβαιωθείτε ότι έχει τοποθετηθεί σωστά και με τέτοιο τρόπο ώστε να μην μπορεί να διαρρεύσει καύσιμο έξω.  
Πάντα να αφαιρείτε το δίσκο κοπής πριν από τη μεταφορά της μονάδας σε ένα όχημα.
- Ο Βενζινοκίνητος Κόφτης θα πρέπει να αποθηκεύεται με ασφάλεια σε ξηρό μέρος. Δεν πρέπει να φυλάσσεται στο ύπαιθρο! Πάντα αποσυναρμολογείτε τον δίσκο κοπής πριν από την αποθήκευση. Κρατήστε το Βενζινοκίνητο Κόφτη μακριά από παιδιά.
- **Πριν από αποθήκευση για μεγάλη διάρκεια και πριν από την αποστολή του Βενζινοκίνητου Κόφτη, ακολουθήστε τις οδηγίες του κεφαλαίου «Αποθήκευση». ΠΑΝΤΑ να αδειάστε το ρεζερβουάρ καυσίμου και να λειτουργείτε ώσπου να στραγγίσει το καρμπυρατέρ.**
- Κατά την αποθήκευση των δίσκων κοπής, να είστε προσεκτικοί για να:
  - Τους καθαρίσετε και στεγνώσετε καλά.
  - Τους αποθηκεύσετε τοποθετώντας τους επίπεδα στο έδαφος.
  - Αποφύγετε την υγρασία, τις χαμηλές θερμοκρασίες, την άμεση ηλιοφάνεια, τις υψηλές θερμοκρασίες και τις διακυμάνσεις της θερμοκρασίας, καθώς αυτά μπορούν να προκαλέσουν ρήξη και διάσπαση.
- **Να ελέγχετε πάντα τους καινούργιους δίσκους κοπής ή τους δίσκους κοπής που είχαν αποθηκευτεί για να βεβαιωθείτε ότι είναι απαλλαγμένοι από ελαττώματα.**



## Συντήρηση

- Πριν από την εκτέλεση εργασιών συντήρησης απενεργοποιήστε τον Βενζινοκίνητο Κόφτη (27) και βγάλτε την πίπα του μπουζί.
- Να ελέγχετε πάντα τον Βενζινοκίνητο Κόφτη πριν τον χρησιμοποιήσετε για να βεβαιωθείτε ότι είναι σε καλή λειτουργική κατάσταση. Ειδικότερα, βεβαιωθείτε ότι ο δίσκος κοπής είναι σωστά τοποθετημένος. Βεβαιωθείτε ότι ο τροχός κοπής είναι άθικτος και κατάλληλος για την εργασία για την οποία θα χρησιμοποιηθεί.
- Λειτουργήστε τον Βενζινοκίνητο Κόφτη μόνο με χαμηλά επίπεδα θορύβου και επίπεδο εκπομπών.  
Για αυτό εξασφαλίστε τη σωστή ρύθμιση του καρμπυρατέρ.
- Καθαρίζετε τον Βενζινοκίνητο Κόφτη τακτικά.
- Ελέγχετε το πύμα του ρεζερβουάρ καυσίμου τακτικά για ύπαρξη καλής σφράγισης.

**Τηρήστε τις σχετικές οδηγίες αποτροπής ατυχήματος που εκδίδονται από τις σχετικές εμπορικές ενώσεις και από τις ασφαλιστικές εταιρίες. ΠΟΤΕ μην κάνετε την οποιαδήποτε τροποποίηση στον Βενζινοκίνητο Κόφτη! Αν το κάνετε αυτό βάζετε την ασφάλειά σας σε κίνδυνο!**

Εκτελέστε μόνο τις εργασίες συντήρησης και επισκευής που περιγράφονται στο εγχειρίδιο οδηγιών. Όλες οι άλλες εργασίες πρέπει να εκτελούνται από το τμήμα σέρβις της MAKITA (28).

Χρησιμοποιείτε μόνο γνήσια ανταλλακτικά και αξεσουάρ της MAKITA.

Η χρήση ανταλλακτικών, αξεσουάρ, ή δίσκων κοπής εκτός της MAKITA αυξάνει τον κίνδυνο ατυχήματος. Δεν μπορούμε να δεχτούμε καμία ευθύνη για ατυχήματα ή ζημιές που προκύπτουν σε σχέση με τη χρήση δίσκων κοπής ή άλλων εξαρτημάτων εκτός των αυθεντικών της MAKITA.



27



ΣΕΡΒΙΣ

28

## Πρώτες βοήθειες (29)

Βεβαιωθείτε ότι ένα κουτί πρώτων βοηθειών είναι πάντα άμεσα διαθέσιμο σε κοντινή απόσταση. Αντικαταστήστε αμέσως το οποιοδήποτε αντικείμενο που πάρηκε από το κουτί των πρώτων βοηθειών.

**Με κάθε έκκληση για βοήθεια, να αναφέρετε τις ακόλουθες πληροφορίες:**

- Τόπος του ατυχήματος
- Τι συνέβη
- Αριθμός τραυματιών
- Είδος των τραυματιών
- Το όνομά σας!

### ΣΗΜΕΙΩΣΗ:

Τα άτομα με κακό κυκλοφορικό σύστημα τα οποία εκτίθενται σε υπερβολικούς κραδασμούς μπορεί να παρουσιάσουν βλάβη στα αιμοφόρα αγγεία ή στο νευρικό σύστημα.

Οι κραδασμοί ενδέχεται να προκαλέσουν τα ακόλουθα συμπτώματα στα δάχτυλα, τα χέρια ή τους καρπούς: «Κοίμισμα» (μούδιασμα), μυρμήγκιασμα, πόνος, σουβλιές, αλλαγή χρώματος του δέρματος.

**Εάν έχετε οποιαδήποτε από αυτά τα συμπτώματα, δείτε ένα γιατρό!**



29

## Τεχνικά στοιχεία

Στοιχείο		Μοντέλο	EK7650H		EK7651H	
Κινητήρας	Εκτόπισμα	cm <sup>3</sup>	75,6			
	Διάμετρος	mm	51			
	Διαδρομή	mm	37			
	Μέγιστη ισχύς	kW	3,0			
	Μέγιστη ροπή	Nm	4,6			
	Ταχύτητα ρελαντί	min <sup>-1</sup>	2.600			
	Συμπλέκτης		Αυτόματο φυγοκεντρικό σύστημα			
	Περιορισμός ταχύτητας κινητήρα	min <sup>-1</sup>	9.100			
	Μέγιστη ταχύτητα ατράκτου	min <sup>-1</sup>	4.300			
	Καρμπιρατέρ		Τύπου διαφράγματος			
	Σύστημα ανάφλεξης (με περιορισμό ταχύτητας)		Χωρίς επαφή, τύπου μαγνήτη			
	Μπουζί	Τύπος	NGK CMR6H			
	Διάκενο ηλεκτροδίων	mm	0,5			
	Σύστημα εκκίνησης		Σύστημα ανατύλιξης			
	Η κατανάλωση καυσίμου στο μέγιστο φορτίο κατά ISO 8893	kg/h	1,2			
	Ειδική κατανάλωση στο μέγιστο φορτίο κατά ISO 8893	g/kWh	400			
	Καύσιμο		Βενζίνη αυτοκινήτου (βενζίνη)			
	Χωρητικότητα δοχείου καυσίμου	l	1,1			
	Λιπαντικό (λάδι κινητήρα)		Διαβάθμιση API Κατηγορία SF ή ανώτερη λάδι SAE 10W-30 (λάδι 4-χρονου κινητήρα αυτοκινήτου)			
	Ποσότητα λιπαντικού	l	0,22			
Δίσκος κοπής για 80 m/sec. ή περισσότερο <sup>1)</sup> (εγκεκριμένος από το DSA): διαστάσεις	mm	300 / 20 / 5 <sup>2)</sup>	300 / 25,4 / 5 <sup>2)</sup>	350 / 20 / 5 <sup>2)</sup>	350 / 25,4 / 5 <sup>2)</sup>	
Επίπεδο ηχητικής πίεσης (L <sub>pA</sub> ) κατά το EN ISO 19432 <sup>3)</sup>	dB (A)	92,7				
Αβεβαιότητα (K)	dB (A)	2,5				
Επίπεδο ηχητική ισχύος (L <sub>WA</sub> ) κατά το EN ISO 19432	dB (A)	104,6				
Αβεβαιότητα (K)	dB (A)	2,5				
Επιτάχυνση δόνησης a <sub>h,w</sub> κατά το EN ISO 19432						
- Μπροστινή λαβή (ρελαντί / ονομαστική ταχύτητα άξονα)	m/s <sup>2</sup>	2,7				
Αβεβαιότητα (K)	m/s <sup>2</sup>	2,0				
- Πίσω λαβή (ρελαντί/ονομαστική ταχύτητα άξονα)	m/s <sup>2</sup>	1,8				
Αβεβαιότητα (K)	m/s <sup>2</sup>	2,0				
Διάμετρος άξονα	mm	20,0	25,4	20,0	25,4	
Διάμετρος ατράκτου	mm	17		15 ή 25,4 <sup>4)</sup>		
Ελάχιστη εξωτερική διάμετρος φλάντζα	mm	102				
Μέγιστο βάθος κοπής	mm	97		122		
Διαστάσεις Βενζινοκίνητου Κόφτη (συνολικό μήκος x πλάτος x συνολικό ύψος)		761 mm x 310 mm x 435 mm		780 mm x 310 mm x 455 mm		
Αρ. Ιμάντα V	αρ.	225094-6				
Συνολικό βάρος (ρεζερβουάρ κενά, χωρίς δίσκο κοπής)	kg	12,7		12,9		

1) Ταχύτητα περιφέρειας στη μέγιστη ταχύτητα του κινητήρα

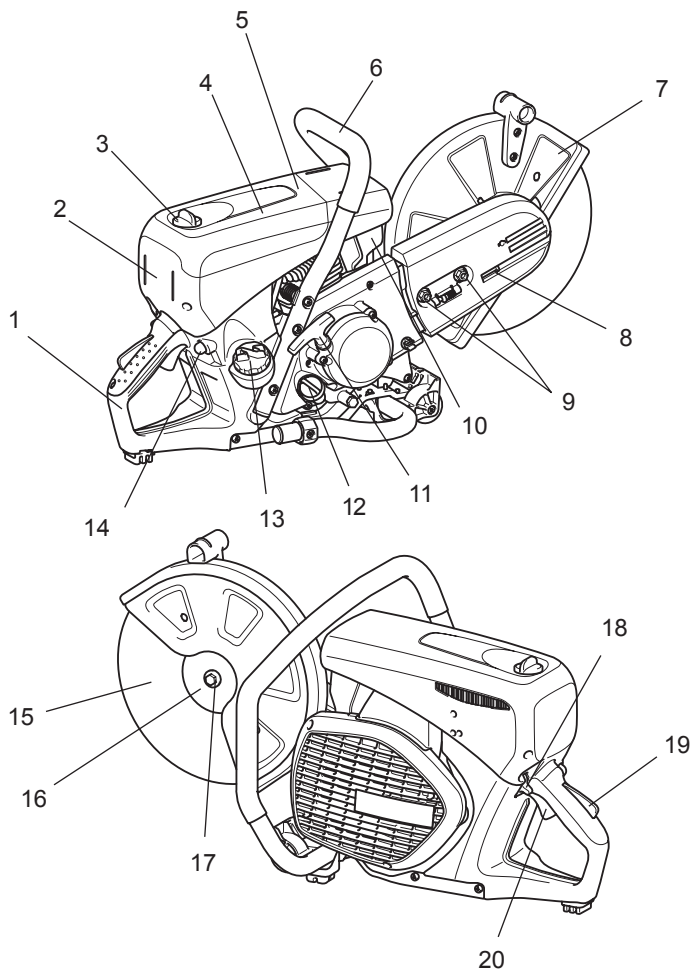
2) Εξωτερική διάμετρος / τρύπα άξονα / πάχος

3) Στο χώρο εργασίας (στο αυτί του χρήστη)

4) Εξαρτάται από τη χώρα

## Όνομασία εξαρτημάτων

1. Πίσω λαβή
2. Κάλυμμα φίλτρου
3. Ασφαλιστική βίδα
4. Επάνω κάλυμμα για το φίλτρο αέρα και πίπα του μπουζί
5. Επάνω κάλυμμα
6. Μπροστινό χερούλι
7. Προστατευτικό κάλυμμα
8. Βίδα τάνυσης
9. Εξαγωγικό παξιμάδι
10. Σιγαστήρας
11. Λαβή εκκινήτρια
12. Τάπα ρεζερβουάρ λαδιού
13. Τάπα ρεζερβουάρ καυσίμου
14. Αντλία καυσίμου (Εκκινήτριας)
15. Δίσκος κοπής
16. Εξωτερική φλάντζα
17. Εξαγωγικό μπουλόνι
18. Διακόπτης
19. Κουμπί ασφάλειας κλειδώματος
20. Μοχλός γκαζιού







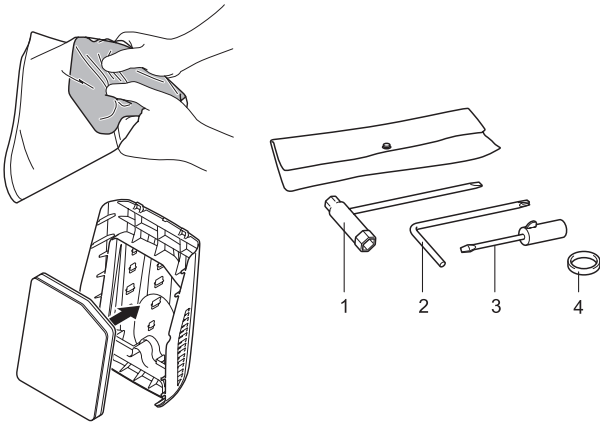
## ΕΝΑΡΞΗ ΛΕΙΤΟΥΡΓΙΑΣ

### ⚠ ΠΡΟΣΟΧΗ:

Σβήνετε πάντα τον κινητήρα και τραβήξτε έξω την πίπα του μπουζί πριν κάνετε οποιαδήποτε εργασία πάνω στον Βενζινοκίνητο Κόφτη! Να φοράτε πάντα προστατευτικά γάντια!

### ⚠ ΠΡΟΣΟΧΗ:

Ξεκινήστε το Βενζινοκίνητο Κόφτη μόνο μετά τη ολοκλήρωση της συναρμολόγησης και της επιθεώρησης.



Για τις ακόλουθες εργασίες, χρησιμοποιήστε τα εργαλεία συναρμολόγησης που περιλαμβάνονται με την παράδοση:

1. 13/16 AF σύνθετο κλειδί
2. Αστερόμορφο κλειδί
3. Κατσαβίδι ρύθμισης καρμπυρατέρ
4. Προσαρμοστικός δακτύλιος

Τοποθετήστε το Βενζινοκίνητο Κόφτη σε μια σταθερή επιφάνεια και εκτελέστε τα ακόλουθα βήματα συναρμολόγησης:

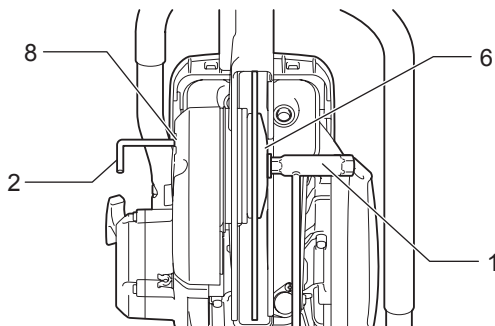
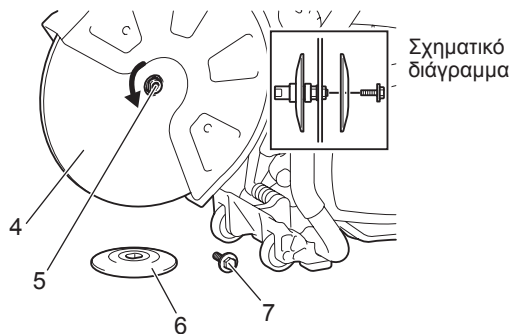
### ⚠ Δεν υπάρχει εγκατεστημένο φίλτρο αέρα!

**Πριν από τη λειτουργία, πιέστε το παρεχόμενο φίλτρο πολλές φορές, έτσι ώστε το λάδι να βυθιστεί ομοιόμορφα σε ολόκληρο το φίλτρο. Τοποθετήστε ένα λαδωμένο αφρώδες φίλτρο (προφίλτρο), όπως φαίνεται στη διπλανή εικόνα! Για να το κάνετε αυτό, αφαιρέστε το καπάκι του φίλτρου (δείτε το κεφάλαιο Καθαρισμός/αντικατάσταση του φίλτρου αέρα).**

## Στερέωση του δίσκου κοπής

### ⚠ ΠΡΟΕΙΔΟΠΟΙΗΣΗ:

- Κατά την εγκατάσταση ενός διαμαντένιου δίσκου κοπής, φροντίστε να τον τοποθετήσετε έτσι ώστε το βέλος να βρίσκεται στην ίδια κατεύθυνση με την διεύθυνση περιστροφής της εξωτερικής φλάντζας (6). Η στερέωση του διαμαντένιου δίσκου κοπής (4) με το βέλος του να έχει αντίθετη διεύθυνση από εκείνη του καλύμματος του τροχού μπορεί να προκαλέσει το ξεφλούδισμα της άκρη του δίσκου και σωματική βλάβη.
- Κατά την εγκατάσταση ενός δίσκου κοπής (4), να χρησιμοποιείτε πάντα το δακτύλιο που ταιριάζει με την τρύπα του δίσκου κοπής και τη διάμετρο του άξονα (5). Αν δεν χρησιμοποιήσετε δακτυλίδια που ταιριάζουν μπορεί να προκληθεί κραδασμός στο εργαλείο με αποτέλεσμα σοβαρούς τραυματισμούς.
- Χρησιμοποιείτε μόνο τον δίσκο κοπής με τρύπα που ταιριάζει με τη διάμετρο του δακτυλίου(ων) που παρέχεται(ονται). Αν χρησιμοποιήσετε δίσκους που δεν ταιριάζουν μπορεί να προκληθεί κραδασμός στο εργαλείο με αποτέλεσμα σοβαρούς τραυματισμούς.
- Επιθεωρήστε ένα δίσκο κοπής για ύπαρξη φθοράς. (δείτε την ενότητα με τίτλο «Δίσκοι αποκοπής» στις ΜΕΤΡΑ ΑΣΦΑΛΕΙΑΣ.)



1. Τοποθετήστε το αστερόμορφο κλειδί (2) στην οπή (8) για να μην μπορεί να περιστραφεί ο άξονας (5).

**ΣΗΜΕΙΩΣΗ:** Όταν είναι τοποθετημένο το στήριγμα του πιεστικού συστήματος νερού στην τρύπα στο εργαλείο, αφαιρέστε το πριν από την τοποθέτηση του δίσκου κοπής.

2. Ενώ κρατάτε το κλειδί (2) σε αυτή τη θέση, χρησιμοποιήστε το παρεχόμενο σύνθετο κλειδί (1) για να γυρίσετε προς τα αριστερά τη βίδα (7) που στερεώνει το δίσκο και αφαιρέσετε το μπουλόνι (7) και την εξωτερική φλάντζα (6).
3. Στερεώστε τον διαμαντένιο δίσκο κοπής /λειαντικό δίσκο αποκοπής (4) πάνω στην άτρακτο (5). Και στη συνέχεια τοποθετήστε την εξωτερική φλάντζα (6) στον άξονα, έτσι ώστε οι δύο παράλληλες επίπεδες επιφάνειες στην εξωτερική φλάντζα να ταιριάζουν στην επίπεδη επιφάνεια του άξονα και σφίξτε γερά το μπουλόνι δεξιόστροφα.

Για να εγκαταστήσετε ένα δίσκο κοπής, τοποθετήστε πάνω στον άξονα ένα δακτύλιο ίδιας διαμέτρου με την τρύπα του δίσκου που να ταιριάζει και ένα δακτύλιο σχήματος O που παρέχεται για να κρατηθεί ο δακτύλιος, πριν την εγκατάσταση του διαμαντένιου δίσκου κοπής.

Και στη συνέχεια, εγκαταστήστε τον δίσκο κοπής.

**ΣΗΜΕΙΩΣΗ:** Σφίξτε το εξάγωνο μπουλόνι γερά (25 - 31 Nm), διαφορετικά ο τροχός κοπής μπορεί να γλιστρήσει κατά τη διάρκεια της κοπής.



## Σφίξιμο του ιμάντα V/ Έλεγχος τάνυσης του ιμάντα

### ΣΗΜΑΝΤΙΚΟ:

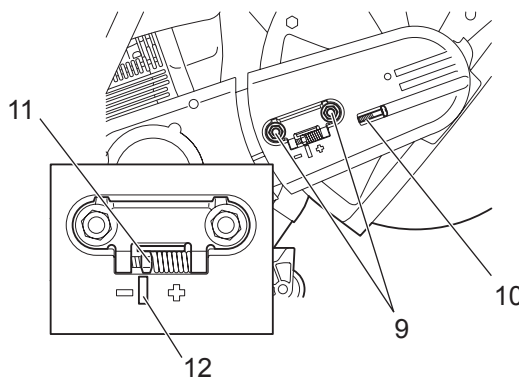
Η ακριβής τάνυση του ιμάντα V είναι απαραίτητη για τη μέγιστη απόδοση κοπής με ελάχιστη κατανάλωση καυσίμου. Η ακατάλληλη τάνυση του ιμάντα V θα οδηγήσει σε πρόωρη φθορά του ιμάντα V και του τροχού του ιμάντα V ή ζημιά στο έδρανο του συμπλέκτη.



**ΣΗΜΕΙΩΣΗ:** Τα δύο εξαγωνα παξιμαδία (9) θα πρέπει να ξεσφιχτούν πριν από το σφίξιμο του ιμάντα V ή τον έλεγχο της τάνυσης.

Για να αυξήσετε την τάνυση του ιμάντα, γυρίστε τη βίδα τάνυσης (10) προς τα δεξιά (δεξιόστροφα) με το σύνθετο κλειδί που περιλαμβάνεται με το Βενζινοκίνητο Κόφτη.

Η τάνυση του ιμάντα είναι σωστά ρυθμισμένη όταν το παξιμαδί (11) βρίσκεται στη θέση που δείχνεται στην εικόνα σε σχέση με τη θέση του σημαδιού (12).



### ΣΗΜΑΝΤΙΚΟ:

- Μετά το σφίξιμο/έλεγχο, βεβαιωθείτε να σφίξετε το εξαγωνικό παξιμαδί (9) (25 - 31 Nm).
- Μην ρυθμίζετε την τάνυση του ιμάντα, όταν είναι ζεστό το μηχάνημα. Υπάρχει κίνδυνος τραυματισμού από έγκαυμα.



## Πριν θέσετε σε λειτουργία

### 1. Έλεγχος/αναπλήρωση λαδιού κινητήρα

- Με τον κινητήρα σε κρύα κατάσταση, ελέγξτε / αναπληρώστε το λάδι του κινητήρα με τον ακόλουθο τρόπο.
- Τοποθετήστε τον κινητήρα σε μια επίπεδη επιφάνεια, και ελέγξτε αν το λάδι βρίσκεται εντός του εύρους των MAX και MIN του ρεζερβουάρ λαδιού.
- Εάν το λάδι είναι ανεπαρκές (κοντά στο σημείο MIN του ρεζερβουάρ λαδιού), γεμίστε το ρεζερβουάρ λαδιού με λάδι μέχρι το σημείο MAX.
- Η ποσότητα του λαδιού μπορεί να ελεγχθεί εξωτερικά χωρίς την αφαίρεση της τάπας του λαδιού επειδή η στάθμη είναι ορατή εξωτερικά από το διαφανές διαβαθμισμένο παράθυρο μέτρησης.
- Ως αναφορά, το λάδι θα πρέπει να αναπληρώνεται κάθε δέκα ώρες λειτουργίας (ένα ρεζερβουάρ λαδιού για κάθε δέκα αναπληρώσεις καυσίμου).
- Αντικαταστήστε το εξαιρετικά βρώμικο ή αποχρωματισμένο λάδι.

<Συνιστώμενο λάδι> ..... Χρησιμοποιήστε λάδι SAE 10W-30 διαβάθμισης API κατηγορίας SF ή ανώτερη (λάδι 4-χρονου κινητήρα αυτοκινήτου).

<Ποσότητα λαδιού> ..... 0,22 L (220 mL)

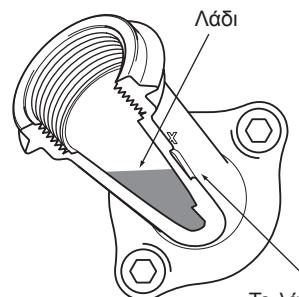
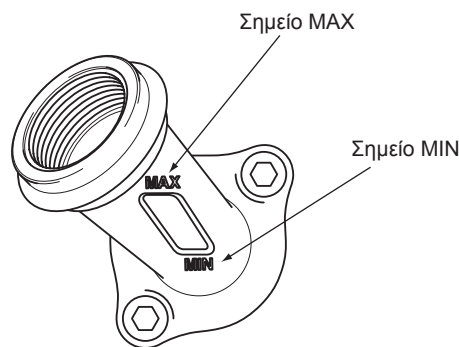
### ΣΗΜΕΙΩΣΗ:

- Αν ο κινητήρας δεν αποθηκευτεί σε όρθια θέση, το λάδι θα κυκλοφορήσει μέσα στον κινητήρα, πράγμα που σημαίνει ότι θα υπάρχει υπερβολικό λάδι στο Βενζινοκίνητο Κόφτη κατά την αναπλήρωση.
- Εάν το λάδι υπερβεί το σημείο MAX, μπορεί να διαρρεύσει προκαλώντας βρωμιές ή λευκό καπνό.

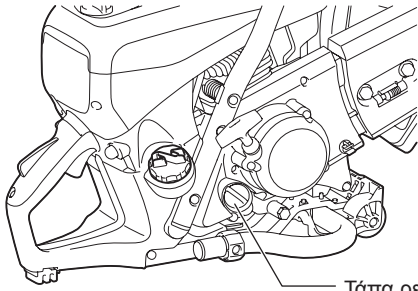
### Αντικατάσταση λαδιού Σημείο 1 <Τάπα λαδιού>

Διάστημα αντικατάστασης: Αρχικά, μετά από 20 ώρες λειτουργίας, και στη συνέχεια κάθε 30 ώρες λειτουργίας.

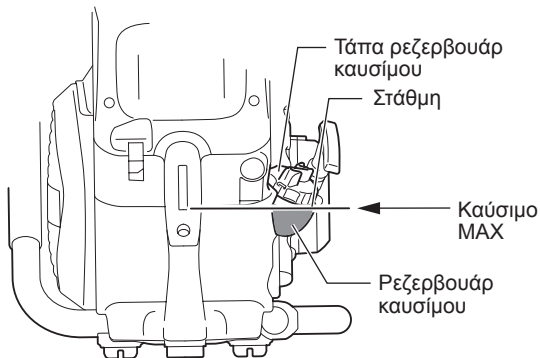
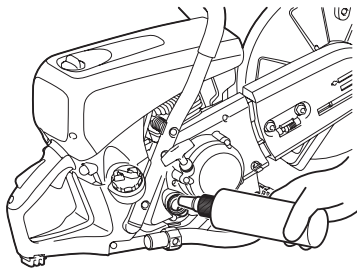
- Καθαρίστε την σκόνη γύρω από το λαιμό πλήρωσης λαδιού και στη συνέχεια αφαιρέστε την τάπα λαδιού.
- Τοποθετήστε την τάπα λαδιού σε μια επιφάνεια, όπου δεν μπορεί να κολλήσει σκόνη και βρωμιά. Αν το καπάκι τοποθετηθεί πίσω σε μια βρώμικη κατάσταση, η κυκλοφορία του λαδιού ενδέχεται να επιδεινωθεί και να φθαρούν τα τμήματα του κινητήρα, πράγμα το οποίο μπορεί να προκαλέσει μηχανική βλάβη.



Το λάδι είναι ορατό από εδώ, έτσι ώστε τα σημεία MAX και MIN μπορούν να χρησιμοποιηθούν για τον έλεγχο της ποσότητας του λαδιού.



Τάπα ρεζερβουάρ λαδιού



- (1) Τοποθετήστε τον κινητήρα επίπεδα και αφαιρέστε την τάπα του λαδιού.
- (2) Αναπληρώστε το λάδι μέχρι τη βάση του λαιμού πλήρωσης λαδιού.  
Κατά την αναπλήρωση του λαδιού, χρησιμοποιήστε ένα κατάλληλο δοχείο λιπαντικού για επαναγέμιση.
- (3) Σφίξτε καλά την τάπα του λαδιού. Αν η τάπα του λαδιού είναι χαλαρή, το λάδι μπορεί να διαρρεύσει.

#### Αντικατάσταση λαδιού Σημείο 2 <Τί να κάνετε αν χυθεί το λάδι>

Στην περίπτωση που το λάδι χυθεί μεταξύ του ρεζερβουάρ καυσίμου και του κινητήρα, και τεθεί σε λειτουργία ο Βενζινοκίνητος Κόφτης, το λάδι θα αναρροφηθεί μέσα μέσω της εισαγωγής ψυχρού αέρα, πράγμα που μπορεί να προκαλέσει βρωμιά. Πάντα να σκουπίζετε το χυμένο λάδι πριν από τη χρήση του βενζινοκίνητου Κόφτη.

#### 2. Ανεφοδιασμός

##### ⚠️ ΠΡΟΕΙΔΟΠΟΙΗΣΗ:

• Πάντοτε να τηρείτε τα ακόλουθα στοιχεία κατά τον ανεφοδιασμό. Σε αντίθετη περίπτωση, μπορεί να προκληθούν φλόγες ή πυρκαγιά.

- Να ανεφοδιάζετε μακριά από φλόγες. Επιπλέον, μην καπνίζετε ή φέρετε οποιαδήποτε μορφή φλόγας κοντά στο καύσιμο ή στο βενζινοκίνητο κόφτη κατά τη διάρκεια του ανεφοδιασμού.
- Σταματήστε τον κινητήρα και αφήστε τον να κρυώσει πριν τον ανεφοδιασμό.
- Πάντοτε να ανοίγετε την τάπα του ρεζερβουάρ καυσίμου σιγά-σιγά για να απελευθερωθεί η εσωτερική πίεση με ελεγχόμενο τρόπο. Σε αντίθετη περίπτωση, μπορεί να προκληθεί ο ψεκασμός καυσίμου, λόγω της εσωτερικής πίεσης.
- Προσέξτε να μην χύσετε το καύσιμο. Αν το καύσιμο χυθεί, σκουπίστε το καλά.
- Ανεφοδιάστε σε ένα καλά αεριζόμενο χώρο.
- Πάντα να χειρίζεστε τα καύσιμα με μεγάλη προσοχή.
  - Αν το καύσιμο έρθει σε επαφή με το δέρμα και/ή τα μάτια, μπορεί να προκληθεί αλλεργική αντίδραση ή/και φλεγμονή. Σε περιπτώσεις τέτοιων αλλεργικών αντιδράσεων ή/και φλεγμονής, κ.λπ., ζητήστε ιατρική συμβουλή από έναν εξειδικευμένο γιατρό αμέσως.

#### <Περίοδος αποθήκευσης καυσίμου>

Κατά κανόνα, το καύσιμο που είναι αποθηκευμένο σε ένα κατάλληλο δοχείο καυσίμων, σε μια σκιασμένη περιοχή, με καλό εξαερισμό, πρέπει να χρησιμοποιηθεί εντός τεσσάρων εβδομάδων. Αν δεν χρησιμοποιηθεί μια κατάλληλη δεξαμενή καυσίμου και/ή τάπα αφεθεί βγαλμένη, κ.λπ., και η εποχή είναι καλοκαίρι, το καύσιμο ενδέχεται να επιδεινωθεί μέσα σε μία ημέρα.

#### Αποθήκευση του Βενζινοκίνητου Κόφτη και του δοχείου καυσίμου

- Αποθηκεύστε τον Βενζινοκίνητο Κόφτη και το δοχείο καυσίμου μακριά από το άμεσο ηλιακό φως σε ένα δροσερό μέρος.
- Μην αφήνετε γεμάτο με βενζίνη το Βενζινοκίνητο Κόφτη ή το δοχείο καυσίμου μέσα στο αυτοκίνητο ή στο πορτ-μπαγκάζ του αυτοκινήτου (χώρος αποσκευών).

#### <Καύσιμο>

Ο κινητήρας είναι ένας τετράχρονος κινητήρας, γιατί χρησιμοποιήστε βενζίνη αυτοκινήτων (κανονική βενζίνη) για τη λειτουργία του κινητήρα.

#### Σημεία προσοχής για το καύσιμο

- Μην χρησιμοποιείτε ένα μείγμα βενζίνης (λάδι κινητήρα αναμεμιγμένο με βενζίνη). Κάτι τέτοιο μπορεί να προκαλέσει συσσώρευση άνθρακα και μηχανική βλάβη.
- Η χρήση των παλαιού καυσίμου μπορεί να προκαλέσει κακή εκκίνηση του κινητήρα.

#### <Ανεφοδιασμός>

Πάντοτε να σταματάτε τον κινητήρα και να τον αφήνετε να κρυώσει πριν τον ανεφοδιασμό.

#### <Χρησιμοποιούμενη βενζίνη> ..... Βενζίνη αυτοκινήτου (βενζίνη)

- Ελαφρώς ξεσφίξτε την τάπα του ρεζερβουάρ καυσίμου για να ελευθερώσετε την πίεση και έτσι να εξισορροπηθεί η εξωτερική και η εσωτερική πίεση του αέρα.
- Αφαιρέστε το πώμα του ρεζερβουάρ καυσίμου και ανεφοδιάστε. (Μην συμπληρώσετε μέχρι την κορυφή του στομίου του ρεζερβουάρ.)
- Μετά τον ανεφοδιασμό, σφίξτε γερά την τάπα του ρεζερβουάρ καυσίμου.
- Το πώμα του ρεζερβουάρ καυσίμου είναι ένα αναλώσιμο προϊόν. Επομένως, εάν αυτό δείχνει σημεία φθοράς ή άλλες ανωμαλίες, αντικαταστήστε το. (Σε αδρές γραμμές αντικαταστήστε το μία φορά κάθε δύο ή τρία χρόνια.)

## Για τη λειτουργία

### Ξεκίνημα

#### ⚠ ΠΡΟΕΙΔΟΠΟΙΗΣΗ:

Μην ξεκινήσετε τον κινητήρα σε σημεία όπου έχει γίνει ανεφοδιασμός. Μετακινηθείτε τουλάχιστον τρία μέτρα μακριά από τον τόπο όπου έγινε ο ανεφοδιασμός του Βενζινοκίνητου Κόφτη.

- Σε αντίθετη περίπτωση, μπορεί να προκληθούν φλόγες ή πυρκαγιά.


#### ⚠ ΠΡΟΣΟΧΗ:

Πριν ξεκινήσετε τον κινητήρα, βεβαιωθείτε να ελέγξετε ότι ο δίσκος κοπής δεν αγγίζει το έδαφος ή οποιοδήποτε άλλο εμπόδιο.

- Αν ο δίσκος κοπής αγγίζει το έδαφος ή άλλο εμπόδιο, μπορεί να προκαλέσει ατύχημα.

Μόλις ξεκινήσει ο κινητήρας, ο δίσκος κοπής θα περιστραφεί, γιαυτό να έχετε πλήρη επίγνωση για το αν υπάρχουν άνθρωποι και εμπόδια κοντά σας.

### 1. Εκκίνηση εν ψυχρώ

- (1) Πατήστε επανειλημμένα την αντλία πλήρωσης μέχρι να μπει μέσα καύσιμο.
- (2) Στρίψτε τον διακόπτη προς την κατεύθυνση  (τσοκ).
- (3) Κρατήστε πατημένη την πίσω χειρολαβή με το ένα πόδι και κρατήστε πατημένο σταθερά το κυλινδρικό χερούλι με το ένα χέρι.
- (4) Τραβήξτε δυνατά και επανειλημμένα τη λαβή εκκίνησης μέχρι να ακουστεί ο πρώτος ήχος εκκίνησης.

#### Προθέρμανση

- Μόλις ξεκινήσει ο κινητήρας, κρατήστε πατημένο το μοχλό ασφαλείας, και πιέστε και αφήστε το γκάτζι επανειλημμένα για ένα ή δύο λεπτά για να ζεσταθεί ο κινητήρας.
- Μόλις σταθεροποιηθούν οι στροφές του κινητήρα και ο κινητήρας αρχίσει να περιστρέφεται ομαλά από τη χαμηλή στην υψηλή ταχύτητα, το ζέσταμα έχει ολοκληρωθεί.


### 2. Εκκίνηση όταν ο κινητήρας είναι ζεστός


Πιέστε την αντλία πλήρωσης πολλές φορές. Από την αρχή, τοποθετήστε το διακόπτη στη θέση [I] (λειτουργίας), και ξεκινήστε τον κινητήρα χρησιμοποιώντας τη δράση (3) της διαδικασίας 1 ανωτέρω.

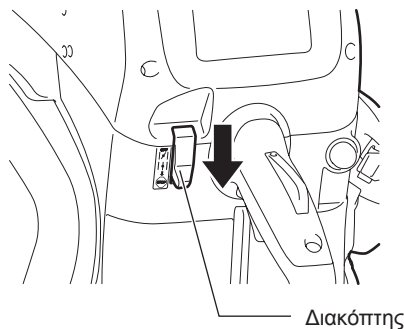
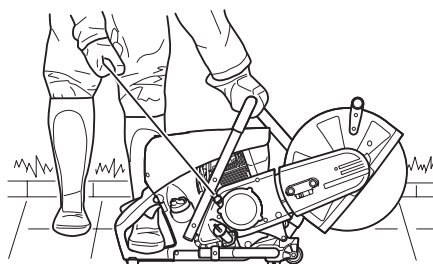
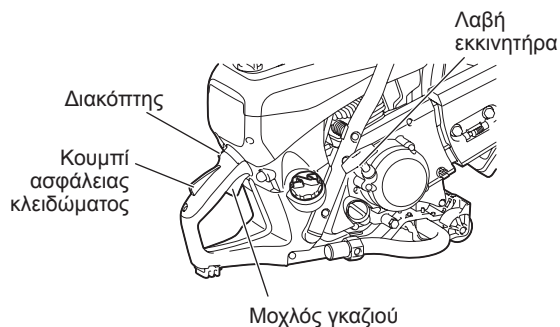
#### ΣΗΜΕΙΩΣΗ:

- Το επανειλημμένο τράβηγμα και αποδέσμευση της χειρολαβής εκκίνησης με το διακόπτη τοποθετημένο στη θέση του τσοκ θα υπερπληρώσει τον κινητήρα με καύσιμο, κάνοντας την εκκίνηση δύσκολη.
- Όταν σταματά ο κινητήρας, ποτέ μην πιέζετε το μοχλό του γκαζιού. Το άσκοπο πάτημα του μοχλού του γκαζιού με το σταμάτημα της λειτουργίας του κινητήρα θα υπερπληρώσει τον κινητήρα με καύσιμο, κάνοντας την εκκίνηση δύσκολη.
- Αν γίνει υπερπλήρωση του κινητήρα με καύσιμο, αφαιρέστε το μπουζί και τραβήξτε αργά τη χειρολαβή εκκίνησης αρκετές φορές για να αφαιρέσετε την περίσσεια καυσίμου. Επίσης, στεγνώστε το τμήμα του ηλεκτροδίου του μπουζιού.
- Μην τραβάτε τη χειρολαβή εκκίνησης μέχρι το όριο του σχοινού, γιατί αν το κάνετε αυτό μειώνεται η διάρκεια ζωής του σχοινού. Επιπλέον, να επιστρέφετε απαλά την χειρολαβή εκκίνησης χωρίς να την αφήνετε ξαφνικά.
- Αποφύγετε τη λειτουργία του Βενζινοκίνητου Κόφτη στη μέγιστη ταχύτητα του ρελαντί, καθώς αυτό θα συντομεύσει τη διάρκεια ζωής του κινητήρα.

### 3. Σταμάτημα

Για να σταματήσει ο κινητήρας, αφήστε το γκάτζι, και ρυθμίστε το διακόπτη στη  θέση (STOP).

Εάν ο μοχλός του τσοκ έχει λανθασμένα μετακινηθεί στη θέση  για να σταματήσει το εργαλείο, χρησιμοποιήστε το μισό γκάτζι για την επανεκκίνηση.



## Ρύθμιση του καρμπιρατέρ

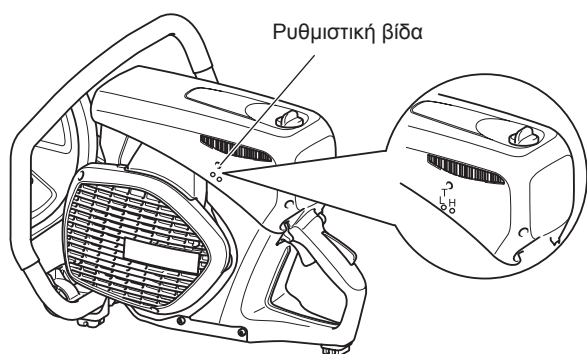
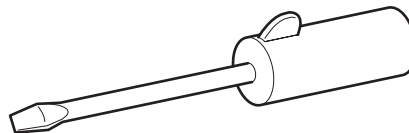


**ΣΗΜΕΙΩΣΗ:** Αυτός ο κινητήρας είναι εφοδιασμένος με μια ηλεκτρονική ανάφλεξη για τον περιορισμό της ταχύτητας. Το καρμπιρατέρ έχει επίσης ένα σταθερό μπεκ το οποίο δεν μπορεί να ρυθμιστεί.

Στο εργοστάσιο το ρελαντί έχει ρυθμιστεί περίπου στα 2.600 min<sup>-1</sup>, αλλά κατά τη διαδικασία στρωσίματος ενός νέου κινητήρα μπορεί να απαιτηθεί η ελαφρά αναπροσαρμογή του ρελαντί.

Ρυθμίστε την ταχύτητα του ρελαντί με ένα κατσαβίδι (πλάτος της λεπίδας: 4 mm).

Ένα κατσαβίδι με φορμαρισμένη προεξοχή, που παρέχεται ως προαιρετικό αξεσουάρ, είναι χρήσιμο για τη ρύθμιση.



### 4. Ρύθμιση ρελαντί

**ΠΡΟΣΟΧΗ:** Η ρύθμιση του καρμπιρατέρ μπορεί να γίνει μόνο από ένα ειδικό κέντρο σέρβις της ΜΑΚΙΤΑ!

Μην κάνετε τις οποιοσδήποτε ρυθμίσεις στις ρυθμιστικές βίδες (H) και (L) χωρίς ένα ταχύμετρο! Η λανθασμένη ρύθμιση μπορεί να οδηγήσει στη βλάβη του κινητήρα!

Ένα ταχύμετρο χρειάζεται για τις ρυθμίσεις των ρυθμιστικών βιδών (H) και (L), γιατί αν ο κινητήρας λειτουργεί πάνω από τη μέγιστη ονομαστική ταχύτητα, μπορεί να υπερθερμανθεί και να εξαντληθεί το λιπαντικό. Αυτό μπορεί να καταστρέψει τον κινητήρα!

Μόνο ο χειρισμός της ρυθμιστικής βίδας (T) επιτρέπεται να γίνει από τον χρήστη. Αν ο δίσκος κοπής κινείται στο ρελαντί (δηλαδή χωρίς να είναι πατημένο το γκάτσι), είναι επιτακτική ανάγκη να διορθωθεί η ταχύτητα του ρελαντί! Η ρύθμιση του ρελαντί πρέπει να πραγματοποιείται μόνον όταν ο κινητήρας είναι ζεστός, με ένα καθαρό φίλτρο αέρα. Χρησιμοποιήστε ένα κατσαβίδι (λεπίδα 4 mm) για τις ρυθμίσεις του ρελαντί.

## ΣΥΝΤΗΡΗΣΗ

### ΠΡΟΣΟΧΗ:

- Πριν κάνετε οποιαδήποτε εργασία πάνω στον **Βενζινοκίνητο Κόφτη σταματήστε τον κινητήρα και αφήστε τον να κρυώσει, αφαιρέστε το δίσκο κοπής, βγάλτε έξω την πίπα του μπουζί και φορέστε προστατευτικά γάντια!**  
Η εκτέλεση της συντήρησης αμέσως μετά το σβήσιμο της μηχανής ή με την πίπα στο μπουζί μπορεί να προκαλέσει εγκαύματα από τον καυτό κινητήρα ή τραυματισμό από ακούσια εκκίνηση.
- Ξεκινήστε το **Βενζινοκίνητο Κόφτη μόνο μετά την ολοκλήρωση της συναρμολόγησης και της επιθεώρησης.**
- Μην χρησιμοποιήσετε βενζίνη, βενζόλη, διαλυτικό, αλκοόλη ή κάτι παρόμοιο. Μπορεί να προκληθεί αποχρωματισμός, παραμόρφωση ή ρωγμές.

### ΣΗΜΕΙΩΣΗ:

- Σκουπίστε τη βρωμιά από τον Βενζινοκίνητο Κόφτη και στη συνέχεια επιλέξτε ένα καθαρό χώρο εργασίας για να πραγματοποιήσετε τη συντήρηση.





ΣΕΡΒΙΣ

**ΣΗΜΑΝΤΙΚΟ:**

Επειδή πολλά από τα μέρη και τα συγκροτήματα, τα οποία δεν αναφέρονται σε αυτό το Εγχειρίδιο Οδηγιών, είναι ζωτικής σημασίας για την ασφάλεια της συσκευής, και επειδή όλα τα μέρη υπόκεινται σε ένα συγκεκριμένο βαθμό φθοράς, είναι σημαντικό για την ασφάλειά σας να ελέγχετε και να συντηρείτε τη συσκευή ανά τακτικά διαστήματα σε ένα κέντρο εξυπηρέτησης της MAKITA.

**ΣΗΜΑΝΤΙΚΟ:**



Εάν ο τροχός κοπής σπάσει κατά τη διάρκεια της κοπής, ο Βενζινοκίνητος Κόφτης πρέπει να επισκευαστεί από ένα κέντρο εξυπηρέτησης MAKITA πριν χρησιμοποιηθεί ξανά!

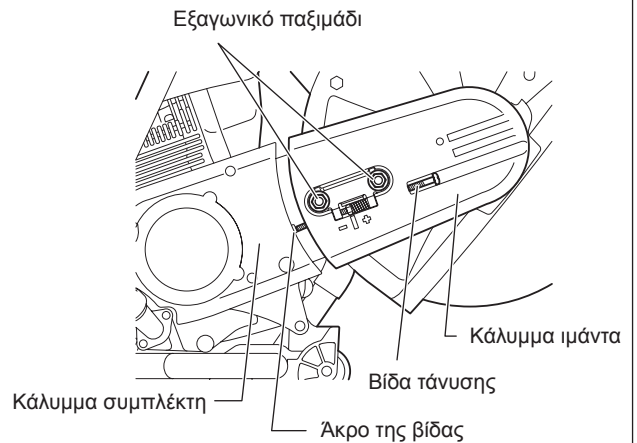
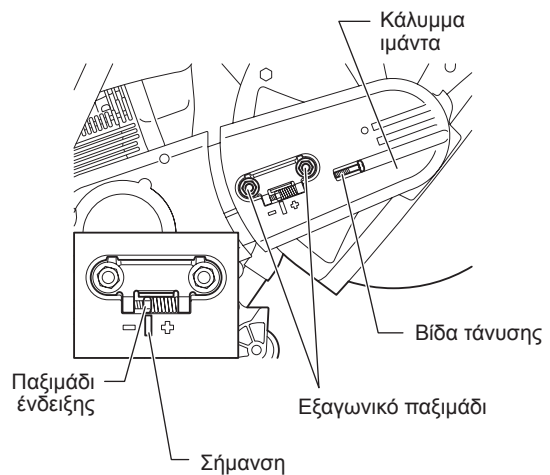
**Ιμάντας V**

**1. Ρύθμιση της τάνυσης του ιμάντα V**

- Αν ο δίσκος κοπής σταματάει εύκολα στο μέσον της λειτουργίας, ο ιμάντας V έχει λασκάρει. Εάν συμβαίνει αυτό, ρυθμίστε την τάνυση με την ακόλουθη διαδικασία.
- (1) Ξεσφίξτε τα παξιμάδια σύσφιξης του καλύμματος του ιμάντα.
- (2) Γυρίστε την βίδα ρύθμισης της τάνυσης προς τα δεξιά (δεξιόστροφα) μέχρι το παξιμάδι ένδειξης να φτάνει στη μαρκαρισμένη θέση, προκειμένου να αυξηθεί τάνυση του ιμάντα V.
- (3) Όταν ολοκληρωθεί η τάνυση, σφίξτε γερά το κάλυμμα της ζώνης σφίγγοντας τα παξιμάδια.
- Αν ο δίσκος κοπής σταματά εύκολα ακόμη και μετά την ρύθμιση της τάνυσης του ιμάντα V, ή αν σπάσει ο ιμάντας V, αντικαταστήστε τον με ένα καινούργιο ιμάντα V.

**2. Αλλαγή του ιμάντα V**

- (1) Ξεσφίξτε το παξιμάδι σύσφιξης, και περιστρέψτε την βίδα ρύθμισης της τάνυσης προς τα αριστερά μέχρι που να γίνει ορατό το άκρο της βίδας.
- (2) Αφαιρέστε τα παξιμάδια σύσφιξης, και στη συνέχεια αφαιρέστε το κάλυμμα της ζώνης.
- (3) Στη συνέχεια, αφαιρέστε τις τρεις βίδες στερέωσης και αφαιρέστε το κάλυμμα του συμπλέκτη.
- (4) Αφαιρέστε τον παλιό ιμάντα V, και τοποθετήστε τον καινούργιο ιμάντα V. Τώρα, επανατοποθετήστε το κάλυμμα του συμπλέκτη ακολουθούμενο από το κάλυμμα του ιμάντα.
- (5) Ρυθμίστε την τάνυση, όπως αναφέρεται στην ενότητα ρύθμισης της τάνυσης του ιμάντα V.



**Καθαρισμός του προστατευτικού καλύμματος**

Με την πάροδο του χρόνου, στο εσωτερικό του προστατευτικού καλύμματος μπορεί να κολλήσουν υπολείμματα υλικών (ιδίως από την υγρή κοπή), τα οποία, εάν αφεθούν να συσσωρευθούν μπορεί να εμποδίσουν την ελεύθερη περιστροφή του δίσκου κοπής. Για το λόγο αυτό το κάλυμμα πρέπει να καθαρίζεται από καιρό σε καιρό.

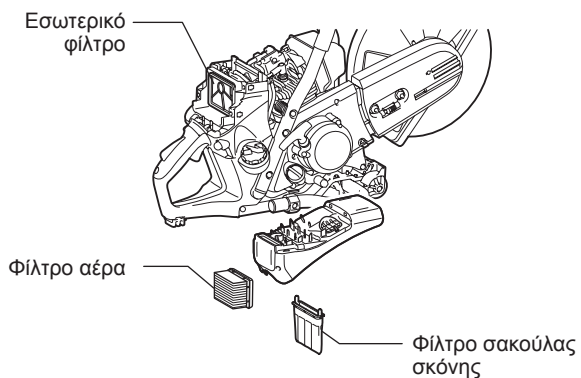
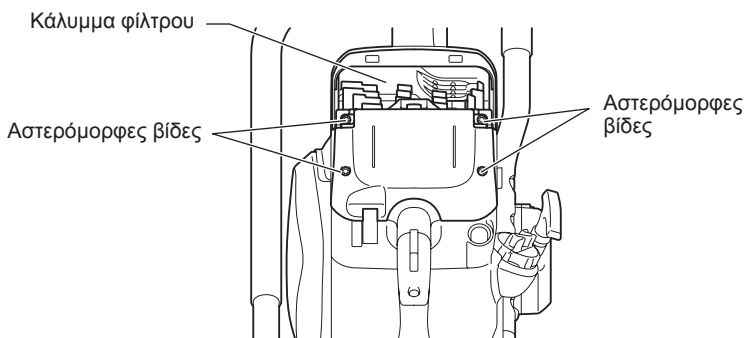
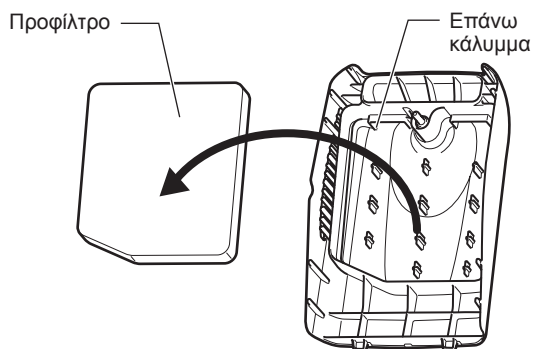
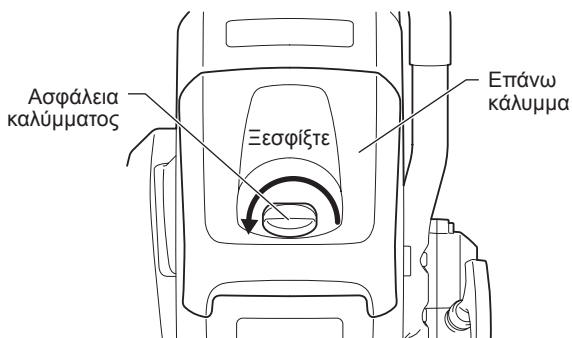
Βγάλτε τον τροχό κοπής και αφαιρέστε το συσσωρευμένο υλικό από το εσωτερικό του καλύμματος με ένα κομμάτι ξύλο ή παρόμοιο εργαλείο.

Καθαρίστε τον άξονα και όλα τα αποσυναρμολογημένα εξαρτήματα με ένα πανί.

**ΣΗΜΕΙΩΣΗ:** Για να εγκαταστήσετε το τροχό κοπής δείτε «Στερέωση του δίσκου κοπής».





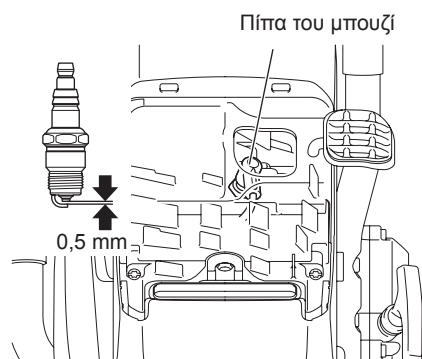
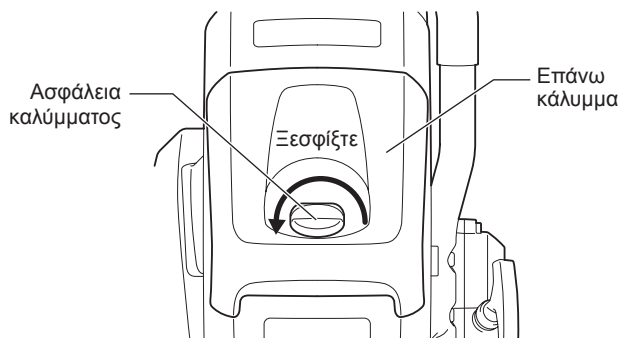


## Καθαρισμός/αντικατάσταση του φίλτρου αέρα

- Αν το φίλτρο αέρα φράξει, μπορεί να προκαλέσει την κακή απόδοση του κινητήρα. Ως εκ τούτου, κάθε φορά μετά τη χρήση του Βενζινοκίνητου Κόφτη, φροντίστε να καθαρίσετε το φίλτρο αέρα με τον ακόλουθο τρόπο.
- Γυρίστε την ασφάλεια του καλύμματος προς τα αριστερά και αφαιρέστε τη.
- Αφαιρέστε το επάνω κάλυμμα αφού αφαιρέσετε τη σκόνη από αυτό.
- Στη συνέχεια, αφαιρέστε το προφίλτρο.
- Αφαιρέστε τις τέσσερις αστερόμορφες βίδες.
- Αφαιρέστε το κάλυμμα του φίλτρου.
- Αφαιρέστε το φίλτρο αέρα.
- Αφαιρέστε το φίλτρο σακούλας σκόνης από το κάλυμμα του φίλτρου και χτυπήστε απαλά και φυσήξτε σε αυτό για να το καθαρίσετε.
- Χτυπήστε απαλά και φυσήξτε πάνω στο εσωτερικό φίλτρο για να απομακρύνετε τη βρωμιά και τη σκόνη. Επίσης, πλένετε τακτικά το εσωτερικό φίλτρο με νερό και σαπούνι και στεγνώστε το καλά.
- Για να καθαρίσετε το φίλτρο αέρα κτυπήστε το απαλά. Εάν πρόκειται να χρησιμοποιηθεί ένας συμπιεστής αέρα, κατευθύνετε τον πεπιεσμένο αέρα στο εσωτερικό του φίλτρου αέρα. Μην πλένετε το φίλτρο αέρα.
- Απομακρύνετε τη σκόνη γύρω από τα φίλτρα.
- Επανασυναρμολογήστε το κάλυμμα του φίλτρου πάνω στο φίλτρο αέρα όταν ολοκληρωθεί ο καθαρισμός.
- Σφίξτε γερά την ασφάλεια καλύμματος.

## Συντήρηση μπουζί

- (1) Ξεσφίξτε την ασφάλεια του καλύμματος και αφαιρέστε το επάνω κάλυμμα.
- (2) Ανοίξτε το κάλυμμα του μπουζί, αφαιρέστε την πίδα του μπουζί και αφαιρέστε το μπουζί.
- (3) Ελέγξτε για να δείτε εάν το διάκενο του ηλεκτροδίου είναι 0,5 χιλ. Εάν η διαφορά είναι πολύ μεγάλη ή πολύ μικρή, προσαρμόστε τη στα 0,5 χιλ.
- (4) Εάν έχει συσσωρευτεί άνθρακας ή/και βρωμιά πάνω στο μπουζί, καθαρίστε το, και στη συνέχεια επανατοποθετήστε. Ένα υπερβολικά φθαρμένο ή καμένο μπουζί πρέπει να αντικαθίσταται με ένα νέο.
- (5) Μετά την συντήρηση επανατοποθετήστε το μπουζί, ενώστε την πίδα και στη συνέχεια ασφαλίστε το κάλυμμα του μπουζί.



## Αντικατάσταση της κεφαλής αναρρόφησης

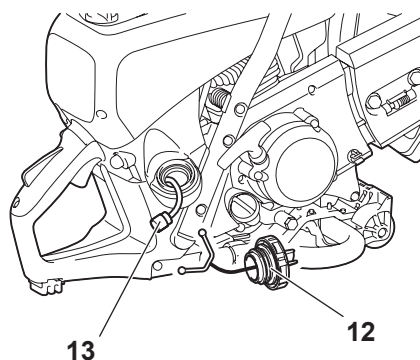
Το φίλτρο της κεφαλής αναρρόφησης στην δεξαμενή καυσίμου (13) μπορεί να βουλώσει. Συνιστάται η αντικατάσταση της κεφαλής αναρρόφησης μία φορά κάθε τρεις μήνες, προκειμένου να εξασφαλιστεί η απρόσκοπτη ροή του καυσίμου προς το καρμπυρατέρ.

Ξεβιδώστε την τάπα του ρεζερβουάρ (12) και τραβήξτε έξω το πώμα που αποτρέπει την απώλεια καυσίμου.

Αδειάστε το ρεζερβουάρ καυσίμου.

Για να αφαιρέσετε την κεφαλή αναρρόφησης για την αντικατάσταση, τραβήξτε την έξω από το στόμιο πλήρωσης του ρεζερβουάρ με ένα κομμάτι σύρμα λυγισμένο στο ένα άκρο σε σχήμα γάντζου.

**ΠΡΟΣΟΧΗ:** Μην επιτρέπεται στο καύσιμο να έρθει σε επαφή με το δέρμα!

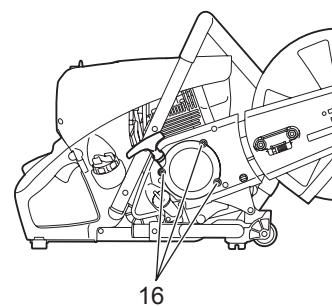
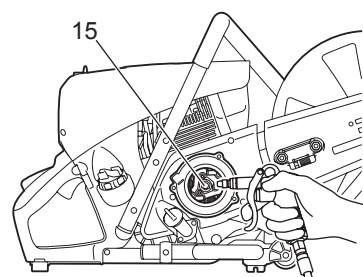
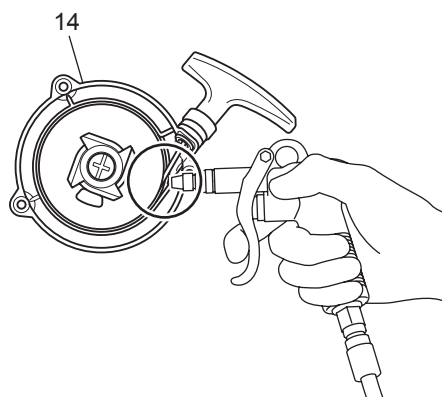




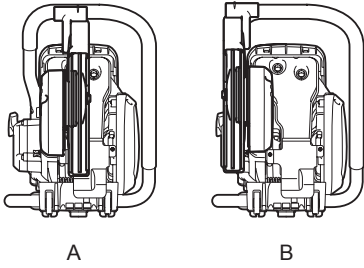
### Καθαρισμός του εκκινητήρα

Όταν δεν λειτουργεί καλά ο εκκινητήρας, για παράδειγμα όταν το σχοινί του εκκινητήρα δεν επιστρέφει στην αρχική θέση, είναι απαραίτητο να φυσήξετε τη σκόνη από τον εκκινητήρα (14) και το συμπλέκτη (15).

Για να καθαρίσετε τον εκκινητήρα και το συμπλέκτη, αφαιρέστε τις τρεις βίδες (16) για απόκτηση πρόσβασης.



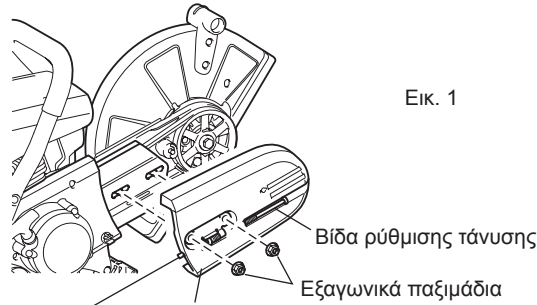
## Κατεύθυνση τοποθέτησης



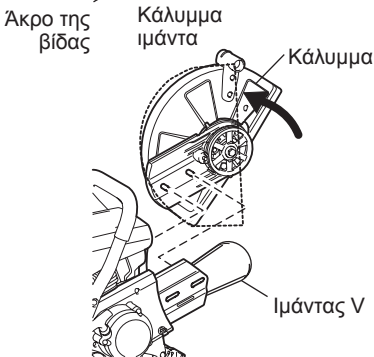
## Αλλαγή της θέσης του εξαρτήματος κοπής (κεντρικά/πλευρικά)

### Κατεύθυνση τοποθέτησης του καλύμματος

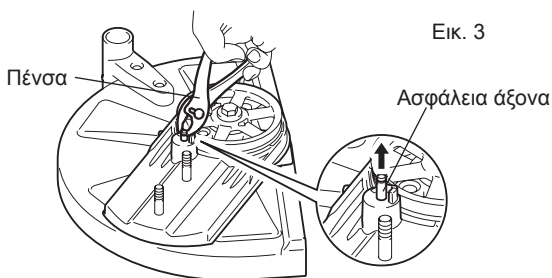
- Το εξάρτημα κοπής του Βενζινοκίνητου Κόφτη είναι τοποθετημένο προς την κατεύθυνση που εμφανίζεται στην Εικ. Α. Εάν το επιθυμείτε, χρησιμοποιήστε την ακόλουθη διαδικασία για να το τοποθετήσετε στην κατεύθυνση που εμφανίζεται στην Εικ. Β.



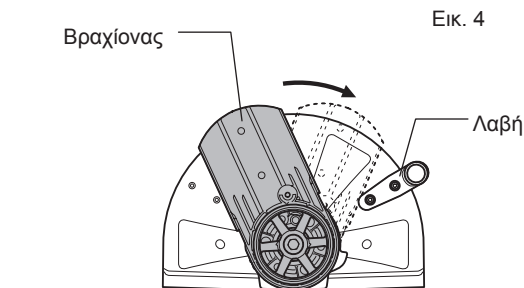
Εικ. 1



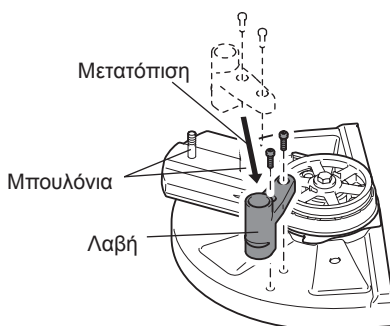
Εικ. 2



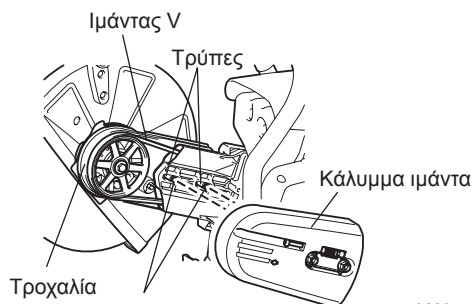
Εικ. 3



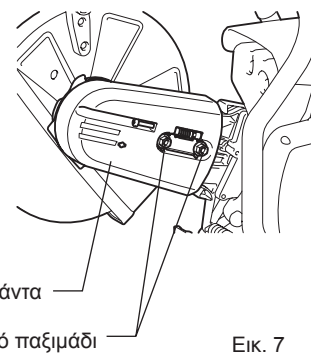
Εικ. 4



Εικ. 5



Εικ. 6



Εικ. 7

### Τοποθέτηση στην κατεύθυνση Β

- (1) Ξεσφίξτε το παξιμάδι σύσφιξης, και περιστρέψτε την βίδα ρύθμισης της τάνσης προς τα αριστερά μέχρι που να γίνει ορατό το άκρο της βίδας. (Εικ. 1)
- (2) Αφαιρέστε τα παξιμάδια σύσφιξης και στη συνέχεια αφαιρέστε το κάλυμμα του ιμάντα. (Εικ. 1)
- (3) Περιστρέψτε το κάλυμμα μέχρι τη θέση της διακεκομμένης γραμμής. Αφαιρέστε τον ιμάντα V και στη συνέχεια αφαιρέστε το εξάρτημα κοπής από το Βενζινοκίνητο Κόφτη. Αλλάξτε τη θέση του σφιγκτήρα. (Εικ. 2)
- (4) Ανασηκώστε την ασφάλεια του άξονα με ένα πλατύ καταβιδι ή με μια πένσα. (Εικ. 3)
- (5) Περιστρέψτε τον βραχίονα μέχρι να έρθει σε επαφή με τη λαβή και επαναφέρετε την ασφάλεια του άξονα στην αρχική της θέση με το χέρι. (Εικ. 4)
- (6) Αναστρέψτε το εξάρτημα κοπής που έχει αφαιρεθεί, περάστε τη βίδα μέσα στην τρύπα, και επανατοποθετήστε προς την κατεύθυνση Β. Τοποθετήστε ξανά τον ιμάντα V στην τροχαλία. (Εικ. 6)
- (7) Τοποθετήστε το κάλυμμα του ιμάντα. (Εικ. 7)

Περιστρέψτε τη βίδα ρύθμισης της τάνσης για να ρυθμίσετε την τάνση του ιμάντα V. Μόλις ολοκληρωθεί η ρύθμιση της τάνσης του ιμάντα, σφίξτε καλά το παξιμάδι σύσφιξης.

## ΕΙΔΙΚΑ ΑΞΕΣΟΥΑΡ

### Διαμαντένιοι δίσκοι κοπής

Οι διαμαντένιοι δίσκοι κοπής της MAKITA πληρούν τις υψηλότερες απαιτήσεις για την ασφάλεια της εργασίας, την ευκολία χρήσης, καθώς και την οικονομική απόδοση της κοπής. Μπορούν να χρησιμοποιηθούν για την κοπή όλων των υλικών **εκτός από μέταλλα**.

Η υψηλή αντοχή των κόκκων διαμαντιού εξασφαλίζει την μικρή φθορά και συνεπώς, μια πολύ μεγάλη διάρκεια ζωής με σχεδόν καμιά αλλαγή στη διάμετρο του δίσκου κατά τη διάρκεια του χρόνου της ωφέλιμης ζωής του. Αυτό παρέχει σταθερή απόδοση κοπής και, συνεπώς, μεγάλη οικονομία. Η εξαιρετική ποιότητα κοπής των δίσκων κάνει ευκολότερη την κοπή.

Οι μεταλλικές πλάκες του δίσκου παρέχουν εξαιρετική ομόκεντρη περιστροφή με ελάχιστη δόνηση κατά τη χρήση.

Η χρήση των διαμαντένιων δίσκων κοπής ελαττώνει σημαντικά το χρόνο κοπής.

Αυτό με τη σειρά του οδηγεί στη μείωση του κόστους λειτουργίας (κατανάλωση καυσίμου, φθορά στα εξαρτήματα, επισκευές, και αμή τι άλλο περιβαλλοντική επιβάρυνση).

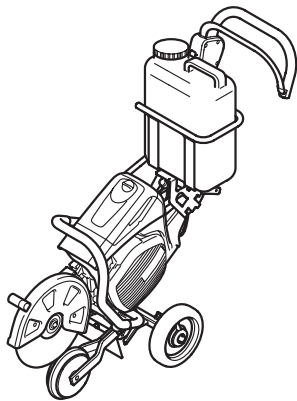
### Οδηγητικό καρότσι

Το οδηγητικό καρότσι της MAKITA καθιστά πολύ πιο εύκολη την εκτέλεση ίσων κοψιμάτων, ενώ ταυτόχρονα κάνει την εργασία σχεδόν ξεκούραστη. Μπορεί να προσαρμοσθεί στο ύψος του χειριστή, και μπορεί να λειτουργεί με το εξάρτημα κοπής τοποθετημένο στο μέσον ή στο πλάι.

Ένας περιοριστής βάθους μπορεί να προστεθεί για ακόμα πιο εύκολο και ακριβές κόψιμο. Καθιστά δυνατή τη διατήρηση ενός ακριβώς προκαθορισμένου βάθους κοπής.

Για την κατακράτηση της σκόνης και για την καλύτερη ψύξη του δίσκου κοπής, η MAKITA προσφέρει αρκετές επιλογές για το βρέξιμο του δίσκου κατά τη λειτουργία.

- Συγκρότημα καροτσιού  
Αυτό είναι χρήσιμο για την κοπή υποστρώματος δρόμου
- Συγκρότημα φίλτρου  
Προφίλτρο (5 φίλτρα)  
Φίλτρο αέρα (1 φίλτρο)  
Φίλτρο σακούλας σκόνης (1 φίλτρο)



### Δοχείο νερού (εξάρτημα του καροτσιού)

Το δοχείο νερού έχει σχεδιαστεί για να μπορεί να τοποθετηθεί πάνω στο οδηγητικό καρότσι.

Η υψηλή χωρητικότητά του το καθιστά ιδιαίτερα κατάλληλο για καταστάσεις που απαιτούν συχνές αλλαγές του χώρου εργασίας. Για το γέμισμα ή για τη γρήγορη αλλαγή των εφεδρικών δοχείων, το δοχείο μπορεί απλά να ανασηκωθεί από το καρότσι.

Το δοχείο νερού παρέχεται με όλες τις απαραίτητες συνδέσεις και τους εύκαμπτους σωλήνες. Η τοποθέτηση πάνω στο καρότσι και στον Βενζινοκίνητο Κόφτη είναι πολύ γρήγορη και απλή.

### Δίκτυο/Πιεστικό σύστημα νερού

Το δίκτυο/πιεστικό σύστημα νερού έχει σχεδιαστεί για να μπορεί να τοποθετηθεί πάνω στο Βενζινοκίνητο Κόφτη. Μπορεί να χρησιμοποιηθεί με ή χωρίς το καρότσι, αλλά είναι ιδιαίτερα κατάλληλο για εφαρμογές που περιλαμβάνουν κράτημα με το χέρι και στατική κοπή. Η γραμμή του νερού διαθέτει σύνδεση ταχείας απελευθέρωσης, και μπορεί να τροφοδοτηθεί είτε από το δίκτυο του νερού ή από ένα δοχείο πίεσης (7).

Το σύστημα του νερού παρέχεται με όλες τις απαραίτητες συνδέσεις και σωλήνες. Μπορεί να τοποθετηθεί γρήγορα και εύκολα πάνω στον Βενζινοκίνητο Κόφτη.

## Πίνακας συντήρησης

Χρόνος λειτουργίας Στοιχείο		Πριν τη λειτουργία	Μετά τον ανεφοδιασμό καυσίμου	Καθημερινά (10 ώρες)	20 ώρες	30 ώρες	50 ώρες	200 ώρες	Πριν από την αποθήκευση	Αντίστοιχη Σ
Λάδι κινητήρα	Επιθεώρηση/ καθαρισμός	○								222
	Αντικατάσταση					○*1				
Σφίξιμο εξαρτημάτων (μπουλόνι, παξιμάδι)	Επιθεώρηση	○								—
Ρεζερβουάρ καυσίμου	Καθάρισμα/ επιθεώρηση	○								—
	Αποστράγγιση καυσίμου								○*3	217
Ιμάντας V	Έλεγχος/ ρύθμιση	○								226
Μοχλός γκαζιού	Έλεγχος λειτουργίας		○							—
Διακόπτης στάσης	Έλεγχος λειτουργίας		○							224
Δίσκος κοπής	Επιθεώρηση	○		○						214
Ταχύτητα ρελαντί	Έλεγχος/ ρύθμιση			○						225
Φίλτρο αέρα	Καθαρίστε						○			227
Φίλτρο σακούλας σκόνης	Καθαρισμός/ αντικατάσταση				○					227
Προφίλτρο	Καθαρισμός/ αντικατάσταση			○						227
Μπουζί	Επιθεώρηση			○						228
Ψύξη αεραγωγού και πτερυγίων κυλίνδρων	Καθάρισμα/ επιθεώρηση			○						—
Σωλήνας καυσίμου	Επιθεώρηση			○						—
	Αντικατάσταση							◎*2		—
Φίλτρο καυσίμου	Καθαρισμός/ αντικατάσταση						○			228
Διάκενο βαλβίδας (βαλβίδα εισαγωγής και βαλβίδα εξάτμισης)	Έλεγχος/ ρύθμιση							◎*2		—
Καρμπιρατέρ	Αποστράγγιση καυσίμου								○*3	217

\*1 Εκτελέστε την αρχική αντικατάσταση μετά από 20 ώρες λειτουργίας.

\*2 Για την επιθεώρηση των 200 ωρών, απευθυνθείτε σε ένα Εξουσιοδοτημένο Αντιπρόσωπο του Σέρβις ή σε ένα συνεργείο.

\*3 Μετά το άδειασμα του ρεζερβουάρ καυσίμου, συνεχίστε τη λειτουργία του κινητήρα και αποστραγγίστε το καύσιμο στο καρμπιρατέρ.

## Εντοπισμός σφάλματος

Σφάλμα	Σύστημα	Παρατήρηση	Αιτία
Ο δίσκος κοπής δεν ξεκινά να περιστρέφεται	Συμπλέκτης	Ο κινητήρας λειτουργεί	Βλάβη στο συμπλέκτη
Ο κινητήρας δεν ξεκινά ή ξεκινά μόνο με δυσκολία	Σύστημα ανάφλεξης  Τροφοδοσία καυσίμου  Σύστημα συμπίεσης  Μηχανική βλάβη  Συμπλέκτης	Σπινθήρας ανάφλεξης ΕΝΤΑΞΕΙ  Δεν υπάρχει σπινθήρας ανάφλεξης  Γεμάτο ρεζερβουάρ  Καμιά συμπίεση κατά το τράβηγμα  Ο εκκινητήρας δεν λειτουργεί  Κολλημένη βρωμιά στον συμπλέκτη και στα τριγύρω εξαρτήματα	Σφάλμα στην παροχή καυσίμου ή στο σύστημα συμπίεσης, μηχανική βλάβη  Ο διακόπτης ΣΤΑΣΗΣ είναι ενεργοποιημένος, σφάλμα καλωδίωσης ή βραχυκύκλωμα, ελαττωματικό μπουζί ή σύνδεσμος, βλάβη στο σύστημα ανάφλεξης  Λανθασμένη θέση του τσοκ, ελαττωματικό καρμπυρατέρ, σωλήνας παροχής καυσίμου λυγισμένος ή μπλοκαρισμένος, βρώμικο καύσιμο  Ελαττωματική η στεγανοποιητική φλάντζα της κεφαλής του κυλίνδρου, φθαρμένα στεγανοποιητικά του στροφαλοφόρου, ελαττωματικοί δακτύλιοι του κυλίνδρου ή του πιστονιού ή ακατάλληλη στεγανοποίηση του μπουζιού  Σπασμένο ελατήριο του εκκινητήρα, σπασμένα εξαρτήματα μέσα στον κινητήρα  Βρώμικο ελατήριο καστανίας και ανοικτό, καθαρίστε το
Προβλήματα θερμής εκκίνησης	Καρμπυρατέρ	Γεμάτο το ρεζερβουάρ, ύπαρξη σπίθας ανάφλεξης	Ρυπαρό καρμπυρατέρ, καθαρίστε το
Ο κινητήρας ξεκινά, αλλά σταματά αμέσως	Τροφοδοσία καυσίμου	Ρεζερβουάρ γεμάτο	Λανθασμένη ρύθμιση του ρελαντί, βρώμικη κεφαλή εισρόφησης ή καρμπυρατέρ  Ελαττωματικό άνοιγμα του ρεζερβουάρ, διακοπή στο σωλήνα παροχής καυσίμου, ελαττωματικό καλώδιο ή διακόπτης ΣΤΑΣΗΣ
Ανεπαρκής απόδοση	Πολλά συστήματα μπορεί να είναι ταυτόχρονα ελαττωματικά	Ανεπαρκές ρελαντί του κινητήρα	Βρώμικο φίλτρο αέρα, βρώμικο καρμπυρατέρ, σιγαστήρας βουλωμένος, αγωγός εξάτμισης βουλωμένος

## Επίλυση προβλημάτων

Πριν ζητήσετε βοήθεια για επισκευές, ελέγξτε το πρόβλημα μόνοι σας. Εάν βρεθεί κάποια ανωμαλία, χειριστείτε το μηχανήμα σας σύμφωνα με τα όσα περιγράφονται σε αυτό το εγχειρίδιο. Ποτέ μην προσπαθήσετε να αποσυναρμολογήσετε το οποιοδήποτε εξάρτημα ενάντια σε όσα περιγράφονται. Για επισκευές, ελάτε σε επαφή με τον Εξουσιοδοτημένο Αντιπρόσωπο του Σέρβις ή την τοπική αντιπροσωπεία.

Κατάσταση προβλήματος	Πιθανή αιτία (δυσλειτουργία)	Αποκατάσταση
Ο κινητήρας δεν ξεκινά	Αστοχία λειτουργίας της αντλίας προέγχυσης	Σπρώξτε 7 με 10 φορές.
	Χαμηλή ταχύτητα τραβήγματος του κορδονιού του εκκινήτηρα	Τραβήξτε πιο δυνατά
	Έλλειψη καυσίμου	Προσθέστε καύσιμο
	Βουλωμένο φίλτρο καυσίμου	Καθάρισμα
	Λυγισμένος σωλήνας καυσίμου	Ισιώστε το σωλήνα καυσίμου
	Αλλοιωμένο καύσιμο	Το αλλοιωμένο καύσιμο καθιστά την εκκίνηση πιο δύσκολη. Αντικαταστήστε με ένα καινούργιο. (Συνιστάται αντικατάσταση: 1 μήνα)
	Υπερβολική αναρρόφηση καυσίμου	Τοποθετήστε το μοχλό του γκαζιού από την ενδιάμεση ταχύτητα στην υψηλή ταχύτητα και τραβήξτε τον χερούλι του εκκινήτηρα έως ότου να ξεκινήσει ο κινητήρας. Όταν ξεκινήσει ο κινητήρας, ο δίσκος κοπής αρχίζει να περιστρέφεται. Δώστε μεγάλη προσοχή στο δίσκο κοπής. Εάν ο κινητήρας δεν ξεκινά ακόμη, αφαιρέστε το μπουζί, στεγνώστε το ηλεκτρόδιο, και επανατοποθετήστε τα στην αρχική τους θέση. Στη συνέχεια, ξεκινήστε όπως έχει καθοριστεί προηγουμένως.
	Αποσυνδεδεμένο καπάκι μπουζιού	Συνδέστε τον καλά
	Ρυπαρό μπουζί	Καθάρισμα
	Μη φυσιολογικό διάκενο του μπουζί	Ρυθμίστε το διάκενο
	Άλλη ανωμαλία του μπουζί	Αντικατάσταση
	Μη φυσιολογικό καρμπρατέρ	Ζητήστε την επιθεώρηση και συντήρηση.
	Το κορδόνι του εκκινήτηρα δεν μπορεί να τραβηχτεί	Ζητήστε την επιθεώρηση και συντήρηση.
	Μη φυσιολογικό σύστημα μετάδοσης	Ζητήστε την επιθεώρηση και συντήρηση.
	Βρώμικος συμπλέκτης και τριγύρω εξαρτήματα	Καθάρισμα
Ο κινητήρας σταματά γρήγορα Η ταχύτητα του κινητήρα δεν αυξάνεται	Ανεπαρκές ζέσταμα	Εκτελέστε την λειτουργία προθέρμανσης
	Ο μοχλός του τσοκ είναι τοποθετημένος στο «H» παρότι έχει ζεσταθεί ο κινητήρας.	Ρυθμίστε στο «ON III»
	Βουλωμένο φίλτρο καυσίμου	Καθάρισμα
	Ρυπαρό ή βουλωμένο φίλτρο αέρα	Καθάρισμα
	Μη φυσιολογικό καρμπρατέρ	Ζητήστε την επιθεώρηση και συντήρηση.
	Μη φυσιολογικό σύστημα μετάδοσης	Ζητήστε την επιθεώρηση και συντήρηση.
Ο δίσκος κοπής δεν περιστρέφεται	Ξεσφίξτε το μπουλόνι σύσφιξης του δίσκου κοπής	Σφίξτε καλά
	Μη φυσιολογικό σύστημα μετάδοσης	Ζητήστε την επιθεώρηση και συντήρηση.
<p>Σταματήστε τον κινητήρα αμέσως</p> <p>↓</p> <p>Η κύρια μονάδα υφίσταται ανώμαλη δόνηση</p> <p>↓</p> <p>Σταματήστε τον κινητήρα αμέσως</p>	Σπασμένος, λυγισμένος ή φθαρμένος δίσκος κοπής	Αντικαταστήστε την λάμα κοπής
	Ξεσφίξτε το μπουλόνι σύσφιξης του δίσκου κοπής	Σφίξτε καλά
<p>Σταματήστε τον κινητήρα αμέσως</p> <p>↓</p> <p>Ο δίσκος κοπής δεν σταματά αμέσως</p> <p>↓</p> <p>Σταματήστε τον κινητήρα αμέσως</p>	Μη φυσιολογικό σύστημα μετάδοσης	Ζητήστε την επιθεώρηση και συντήρηση.
	Υψηλή περιστροφή του ρελαντί	Ρυθμίστε
	Αποσυνδεδεμένη σύνδεση γκαζιού	Ζητήστε την επιθεώρηση και συντήρηση.
<p>Σταματήστε τον κινητήρα αμέσως</p> <p>↓</p> <p>Ο κινητήρας δεν σταματά</p> <p>↓</p> <p>Λειτουργήστε τον κινητήρα στο ρελαντί και τοποθετήστε τον μοχλό του τσοκ στο «H»</p>	Μη φυσιολογικό σύστημα μετάδοσης	Ζητήστε την επιθεώρηση και συντήρηση.
	Αποκολλημένος συνδετήρας	Συνδέστε τον καλά
	Μη φυσιολογικό ηλεκτρικό σύστημα	Ζητήστε την επιθεώρηση και συντήρηση.

Όταν ο κινητήρας δεν ξεκινά μετά την λειτουργία προθέρμανσης:

Εάν δεν υπάρχει καμιά ανωμαλία στα σημεία ελέγχου, ανοίξτε το γκάζι περίπου στο 1/3 και ξεκινήστε τον κινητήρα.

## Αποθήκευση

### ΠΡΟΕΙΔΟΠΟΙΗΣΗ:

Κατά την εκκένωση του καυσίμου, πάντοτε να σταματάτε τον κινητήρα, αφήστε τον να κρυώσει και στη συνέχεια εκκενώστε το καύσιμο.

- Η εκκένωση του καυσίμου αμέσως μετά το σβήσιμο του κινητήρα μπορεί να προκαλέσει φλόγες ή πυρκαγιά, που θα μπορούσαν να προκαλέσουν εγκαύματα.

### ΠΡΟΣΟΧΗ:

Εάν ο Βενζινοκίνητος Κόφτης, δεν πρόκειται να χρησιμοποιηθεί για μεγάλο χρονικό διάστημα, εκκενώστε όλο το καύσιμο, και αποθηκεύστε το Βενζινοκίνητο Κόφτη σε ένα στεγνό και καθαρό χώρο.

- Χρησιμοποιήστε τις ακόλουθες διαδικασίες για την εκκένωση του καυσίμου από την δεξαμενή καυσίμου και το καρμπυρατέρ.
  - (1) Αφαιρέστε την τάπα του ρεζερβουάρ καυσίμου, αποστραγγίστε το καύσιμο μέχρι να αδειάσει το ρεζερβουάρ. Αυτή τη στιγμή, ελέγξτε αν υπάρχει κάποιο ξένο σώμα μέσα στο ρεζερβουάρ καυσίμου. Αν υπάρχει, αφαιρέστε το.
  - (2) Χρησιμοποιήστε ένα κομμάτι σύρμα, κλπ., για να βγάλετε το φίλτρο καυσίμου από το λαιμό του ρεζερβουάρ.
  - (3) Πιέστε την αντλία πλήρωσης έως ότου όλο το καύσιμο να γυρίσει πίσω στο ρεζερβουάρ καυσίμου, και στη συνέχεια, φροντίστε να βγάλετε έξω αυτό το καύσιμο από το ρεζερβουάρ καυσίμου.
  - (4) Επαναφέρετε το φίλτρο καυσίμου τη θέση του στο ρεζερβουάρ καυσίμου και στη συνέχεια, σφίξτε καλά την τάπα του ρεζερβουάρ καυσίμου.
  - (5) Τέλος, λειτουργήστε τον κινητήρα μέχρι να σταματήσει.
  - (6) Αφαιρέστε το μπουζί και ρίξτε λίγες σταγόνες λαδιού κινητήρα από την τρύπα της υποδοχής.
  - (7) Τραβήξτε αργά τη χειρολαβή εκκίνησης, για να κυκλοφορήσει το λάδι σε όλο τον κινητήρα, και στη συνέχεια επανατοποθετήστε το μπουζί.
  - (8) Τοποθετήστε το καύσιμο που έχει εκκενωθεί σε ένα κατάλληλο δοχείο για καύσιμα και αποθηκεύστε το σε ένα σκιασμένο χώρο με επαρκή αερισμό.



**Makita Corporation**  
Anjo, Aichi, Japan

[www.makita.com](http://www.makita.com)

885023D994

ALA