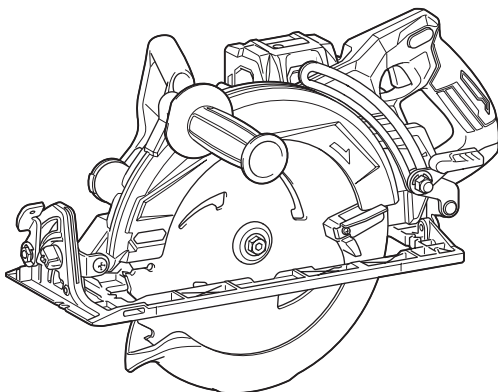
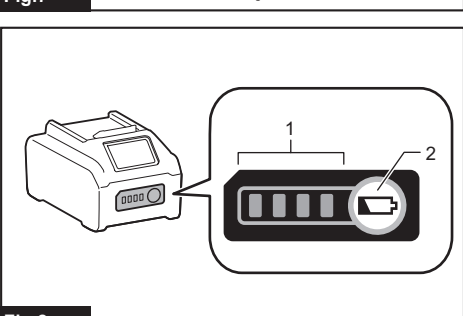
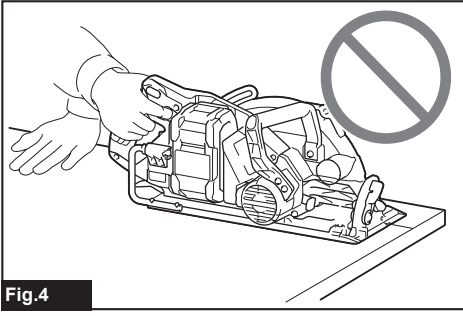
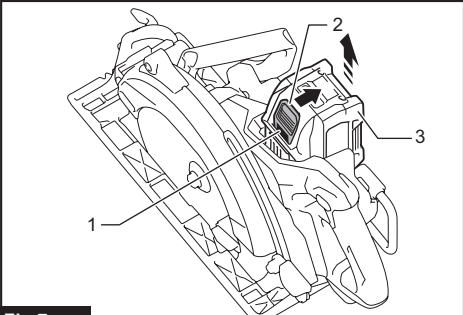
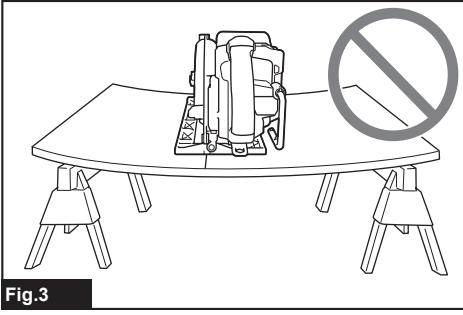
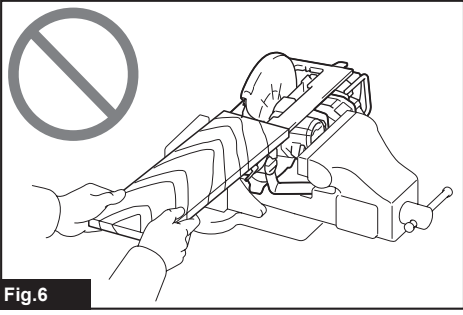
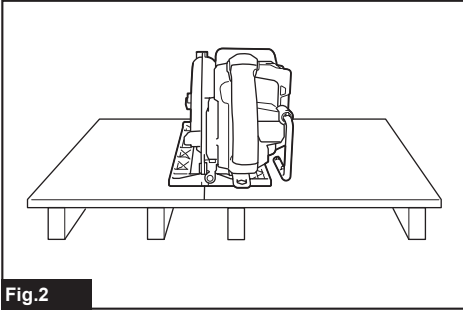
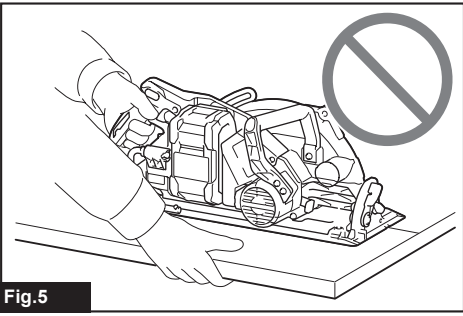
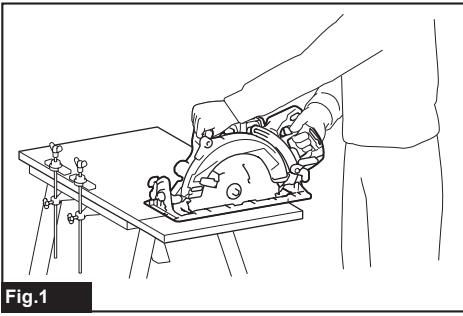


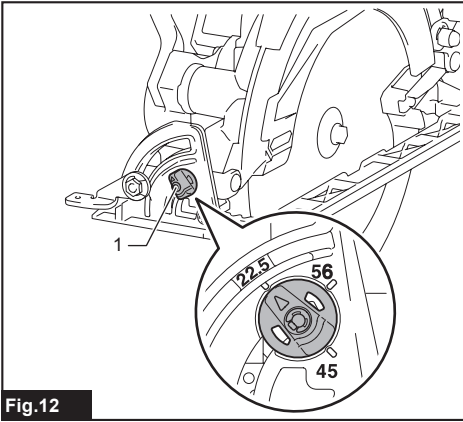
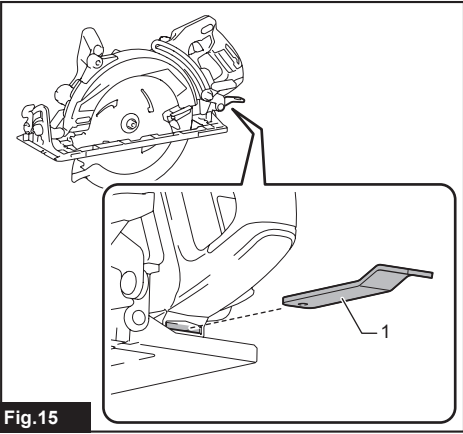
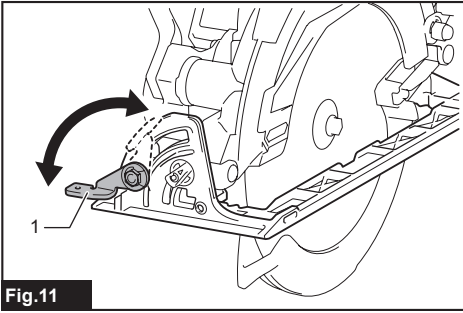
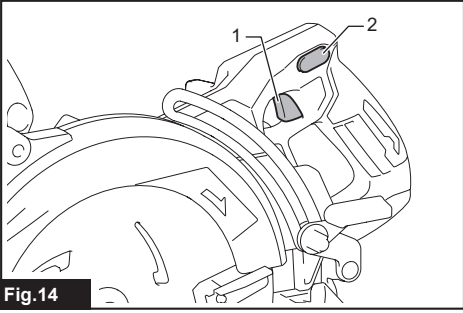
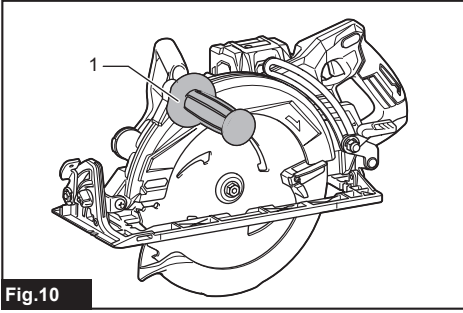
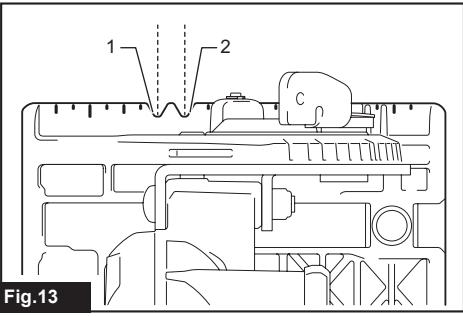
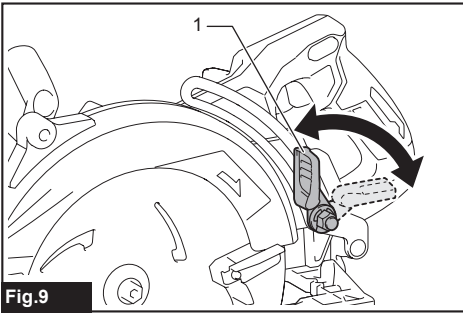


EN	Cordless Rear Handle Saw	INSTRUCTION MANUAL	8
PL	Akumulatorowa ręczna pilarka tarczowa	INSTRUKCJA OBSŁUGI	20
HU	Hátsó markolatú akkumulátoros fűrész	HASZNÁLATI KÉZIKÖNYV	33
SK	Akumulátorová píla so zadnou rukoväťou	NÁVOD NA OBSLUHU	46
CS	Akumulátorová píla se zadní rukojetí	NÁVOD K OBSLUZE	58
UK	Бездротова пила з задньою ручкою	ІНСТРУКЦІЯ З ЕКСПЛУАТАЦІЇ	70
RO	Ferăstrău cu mâner posterior cu acumulator	MANUAL DE INSTRUCȚIUNI	84
DE	Akku-Handkreissäge	BETRIEBSANLEITUNG	97

**RS002G**







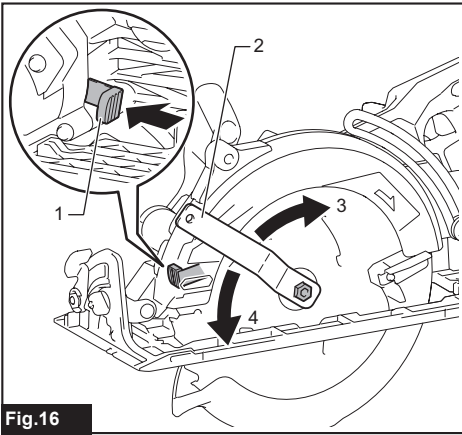


Fig. 16

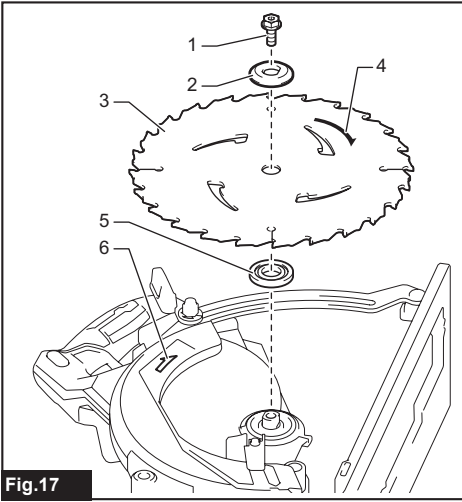


Fig. 17

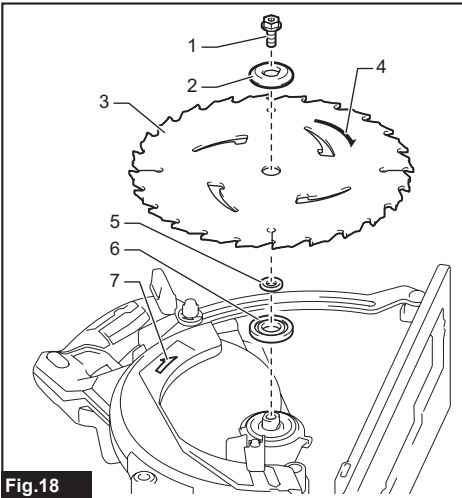


Fig. 18

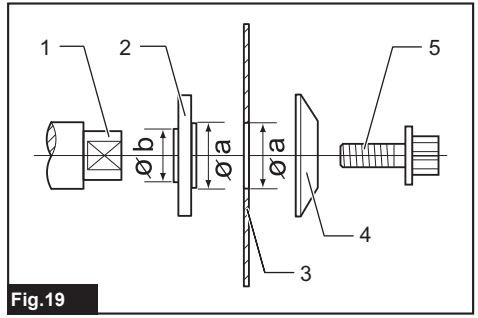


Fig. 19

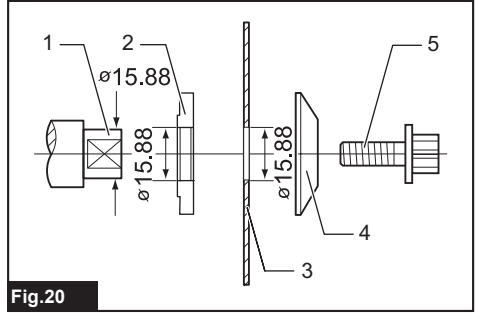


Fig. 20

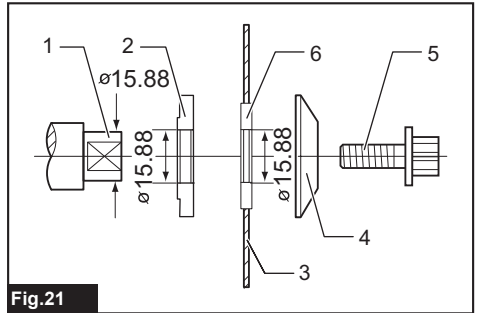


Fig. 21

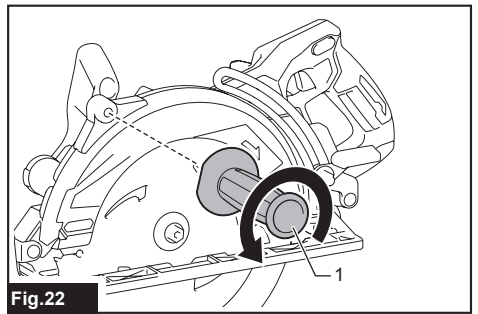


Fig. 22

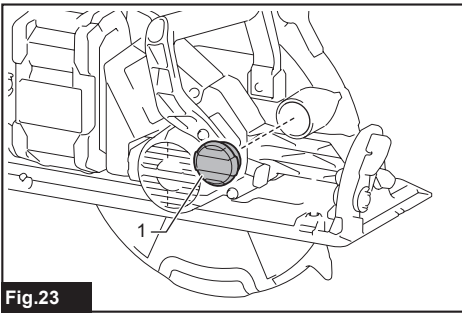


Fig.23

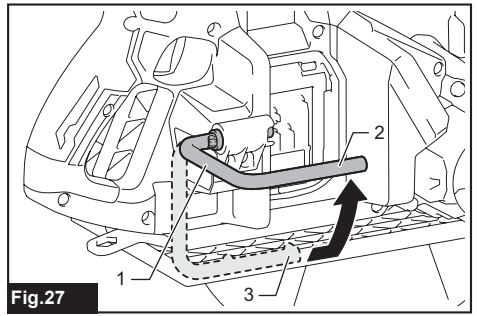


Fig.27

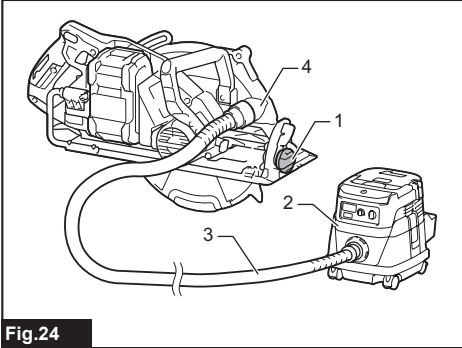


Fig.24

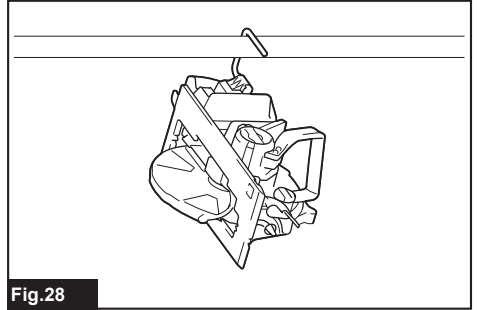


Fig.28

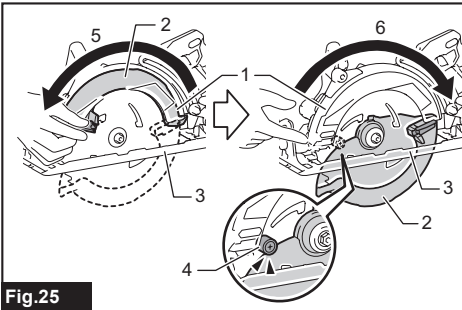


Fig.25

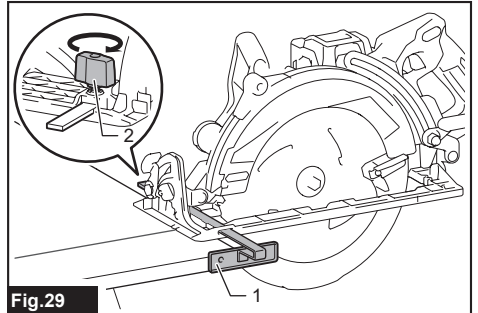


Fig.29

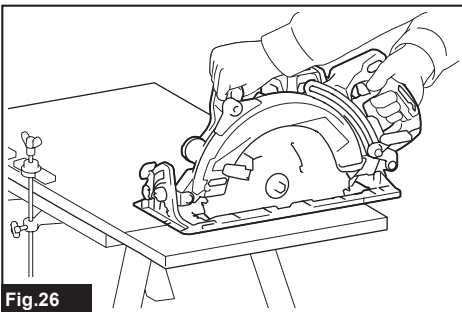


Fig.26

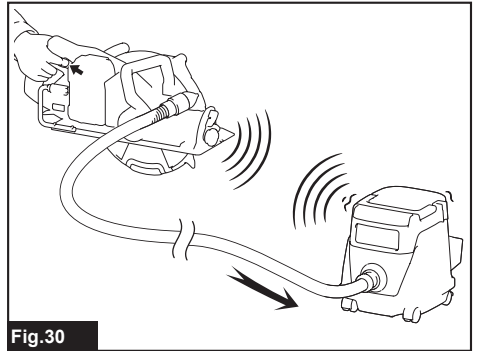


Fig.30

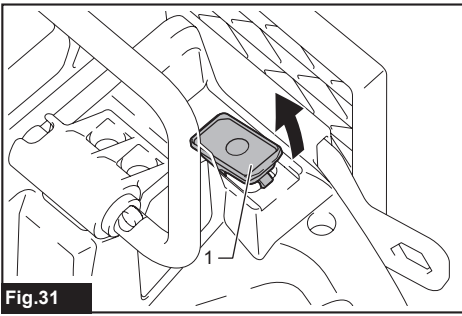


Fig.31

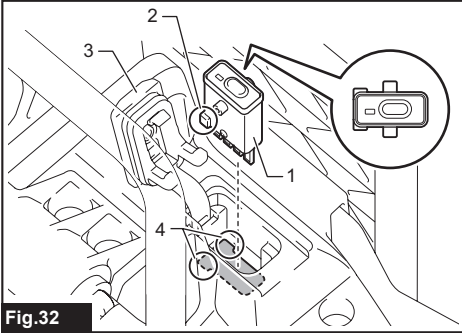


Fig.32

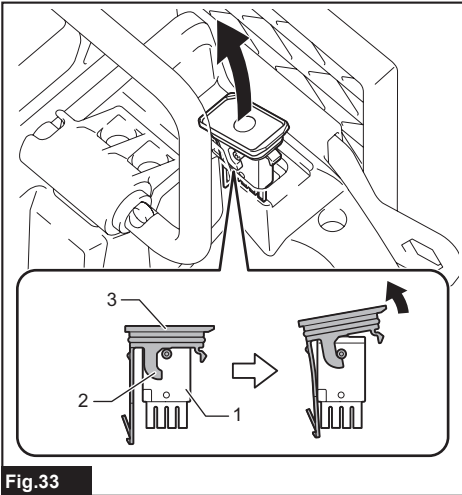


Fig.33

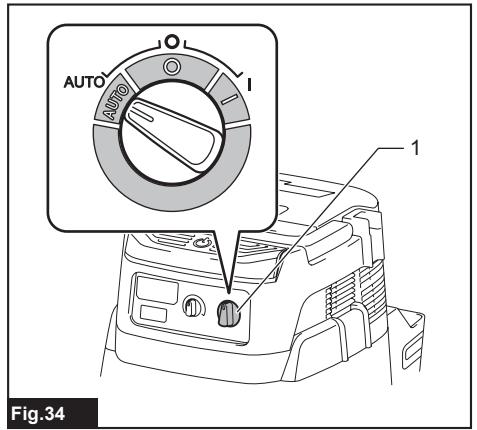


Fig.34

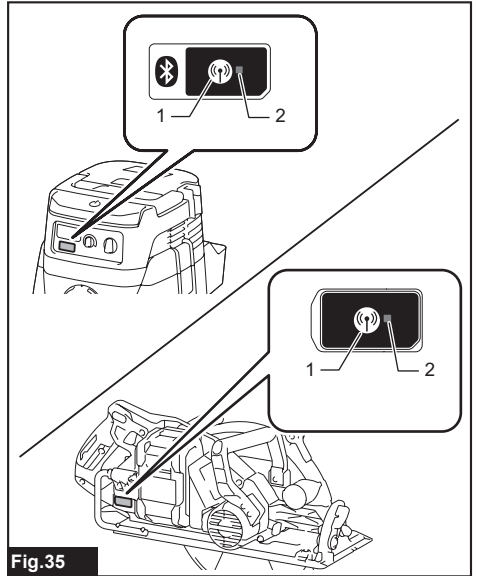


Fig.35

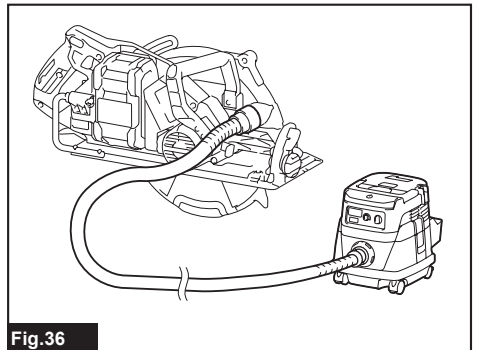
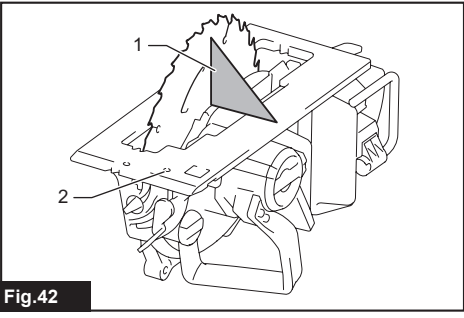
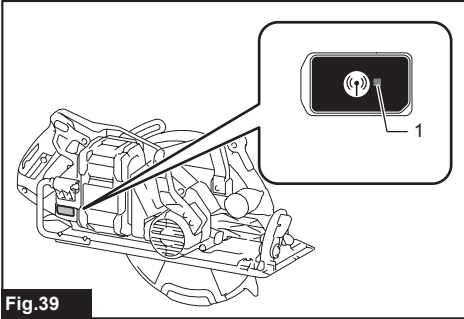
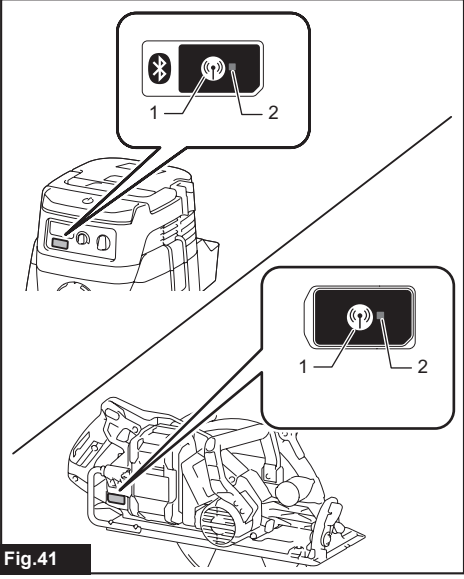
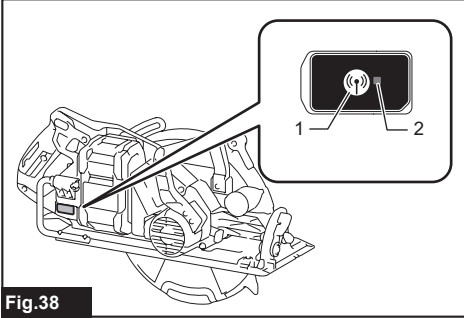
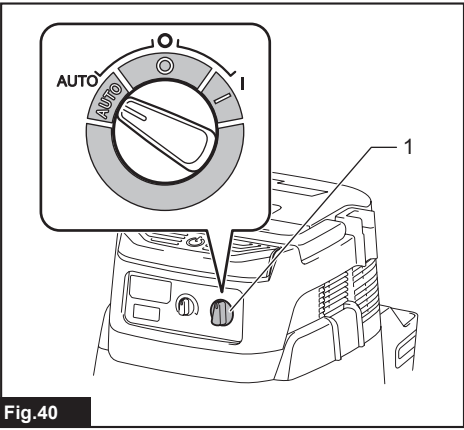
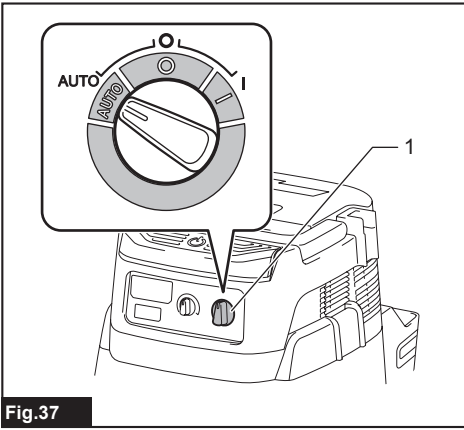


Fig.36



## SPECIFICATIONS

<b>Model:</b>		<b>RS002G</b>
Blade diameter		260 mm
Max. Cutting depth	at 0°	95.0 mm
	at 45° bevel	70.0 mm
	at 56° bevel	54.5 mm
No load speed		4,000 min <sup>-1</sup>
Overall length		489 mm
Rated voltage		D.C. 36 V - 40 V max
Net weight		5.7 - 6.3 kg

- Due to our continuing program of research and development, the specifications herein are subject to change without notice.
- Specifications may differ from country to country.
- The weight may differ depending on the attachment(s), including the battery cartridge. The lightest and heaviest combination, according to EPTA-Procedure 01/2014, are shown in the table.

### Applicable battery cartridge and charger

Battery cartridge	BL4020 / BL4025 / BL4040 / BL4050F* * : Recommended battery
Charger	DC40RA / DC40RB / DC40RC

- Some of the battery cartridges and chargers listed above may not be available depending on your region of residence.

**⚠WARNING:** Only use the battery cartridges and chargers listed above. Use of any other battery cartridges and chargers may cause injury and/or fire.

### Intended use

The tool is intended for performing lengthways and crossways straight cuts and miter cuts with angles in wood while in firm contact with the workpiece.

### Noise

The typical A-weighted noise level determined according to EN62841-2-5:

Sound pressure level ( $L_{pA}$ ) : 96 dB(A)

Sound power level ( $L_{WA}$ ) : 107 dB (A)

Uncertainty (K) : 3 dB(A)

**NOTE:** The declared noise emission value(s) has been measured in accordance with a standard test method and may be used for comparing one tool with another.

**NOTE:** The declared noise emission value(s) may also be used in a preliminary assessment of exposure.

**⚠WARNING:** Wear ear protection.

**⚠WARNING:** The noise emission during actual use of the power tool can differ from the declared value(s) depending on the ways in which the tool is used especially what kind of workpiece is processed.

**⚠WARNING:** Be sure to identify safety measures to protect the operator that are based on an estimation of exposure in the actual conditions of use (taking account of all parts of the operating cycle such as the times when the tool is switched off and when it is running idle in addition to the trigger time).

### Vibration

The vibration total value (tri-axial vector sum) determined according to EN62841-2-5:

Work mode: cutting wood

Vibration emission ( $a_{h,w}$ ) : 2.5 m/s<sup>2</sup> or less

Uncertainty (K) : 1.5 m/s<sup>2</sup>

**NOTE:** The declared vibration total value(s) has been measured in accordance with a standard test method and may be used for comparing one tool with another.

**NOTE:** The declared vibration total value(s) may also be used in a preliminary assessment of exposure.



**⚠ WARNING:** The vibration emission during actual use of the power tool can differ from the declared value(s) depending on the ways in which the tool is used especially what kind of workpiece is processed.

**⚠ WARNING:** Be sure to identify safety measures to protect the operator that are based on an estimation of exposure in the actual conditions of use (taking account of all parts of the operating cycle such as the times when the tool is switched off and when it is running idle in addition to the trigger time).

## EC Declaration of Conformity

### For European countries only

The EC declaration of conformity is included as Annex A to this instruction manual.

# SAFETY WARNINGS

## General power tool safety warnings

**⚠ WARNING:** Read all safety warnings, instructions, illustrations and specifications provided with this power tool. Failure to follow all instructions listed below may result in electric shock, fire and/or serious injury.

## Save all warnings and instructions for future reference.

The term "power tool" in the warnings refers to your mains-operated (corded) power tool or battery-operated (cordless) power tool.

## Cordless circular saw safety warnings

### Cutting procedures

1. **⚠ DANGER:** Keep hands away from cutting area and the blade. Keep your second hand on auxiliary handle, or motor housing. If both hands are holding the saw, they cannot be cut by the blade.
2. **Do not reach underneath the workpiece.** The guard cannot protect you from the blade below the workpiece.
3. **Adjust the cutting depth to the thickness of the workpiece.** Less than a full tooth of the blade teeth should be visible below the workpiece.
4. **Never hold the workpiece in your hands or across your leg while cutting. Secure the workpiece to a stable platform.** It is important to support the work properly to minimise body exposure, blade binding, or loss of control.

► Fig.1

5. **Hold the power tool by insulated gripping surfaces, when performing an operation where the cutting tool may contact hidden wiring.** Contact with a "live" wire will also make exposed metal parts of the power tool "live" and could give the operator an electric shock.
6. **When ripping, always use a rip fence or straight edge guide.** This improves the accuracy of cut and reduces the chance of blade binding.
7. **Always use blades with correct size and shape (diamond versus round) of arbour holes.** Blades that do not match the mounting hardware of the saw will run off-centre, causing loss of control.
8. **Never use damaged or incorrect blade washers or bolt.** The blade washers and bolt were specially designed for your saw, for optimum performance and safety of operation.

### Kickback causes and related warnings

- kickback is a sudden reaction to a pinched, jammed or misaligned saw blade, causing an uncontrolled saw to lift up and out of the workpiece toward the operator;
- when the blade is pinched or jammed tightly by the kerf closing down, the blade stalls and the motor reaction drives the unit rapidly back toward the operator;
- if the blade becomes twisted or misaligned in the cut, the teeth at the back edge of the blade can dig into the top surface of the wood causing the blade to climb out of the kerf and jump back toward the operator.

Kickback is the result of saw misuse and/or incorrect operating procedures or conditions and can be avoided by taking proper precautions as given below.

1. **Maintain a firm grip with both hands on the saw and position your arms to resist kickback forces. Position your body to either side of the blade, but not in line with the blade.** Kickback could cause the saw to jump backwards, but kickback forces can be controlled by the operator, if proper precautions are taken.
2. **When blade is binding, or when interrupting a cut for any reason, release the trigger and hold the saw motionless in the material until the blade comes to a complete stop. Never attempt to remove the saw from the work or pull the saw backward while the blade is in motion or kickback may occur.** Investigate and take corrective actions to eliminate the cause of blade binding.
3. **When restarting a saw in the workpiece, centre the saw blade in the kerf so that the saw teeth are not engaged into the material.** If a saw blade binds, it may walk up or kickback from the workpiece as the saw is restarted.
4. **Support large panels to minimise the risk of blade pinching and kickback.** Large panels tend to sag under their own weight. Supports must be placed under the panel on both sides, near the line of cut and near the edge of the panel.

► Fig.2

► Fig.3

5. **Do not use dull or damaged blades.**  
Unsharpened or improperly set blades produce narrow kerf causing excessive friction, blade binding and kickback.
6. **Blade depth and bevel adjusting locking levers must be tight and secure before making the cut.** If blade adjustment shifts while cutting, it may cause binding and kickback.
7. **Use extra caution when sawing into existing walls or other blind areas.** The protruding blade may cut objects that can cause kickback.
8. **ALWAYS hold the tool firmly with both hands. NEVER place your hand, leg or any part of your body under the tool base or behind the saw, especially when making cross-cuts.** If kickback occurs, the saw could easily jump backwards over your hand, leading to serious personal injury.

► Fig.4

9. **Never force the saw. Push the saw forward at a speed so that the blade cuts without slowing.**  
Forcing the saw can cause uneven cuts, loss of accuracy, and possible kickback.

**Lower guard function**

1. **Check the lower guard for proper closing before each use. Do not operate the saw if the lower guard does not move freely and close instantly. Never clamp or tie the lower guard into the open position.** If the saw is accidentally dropped, the lower guard may be bent. Raise the lower guard with the retracting handle and make sure it moves freely and does not touch the blade or any other part, in all angles and depths of cut.
2. **Check the operation of the lower guard spring. If the guard and the spring are not operating properly, they must be serviced before use.**  
Lower guard may operate sluggishly due to damaged parts, gummy deposits, or a build-up of debris.
3. **The lower guard may be retracted manually only for special cuts such as “plunge cuts” and “compound cuts”. Raise the lower guard by the retracting handle and as soon as the blade enters the material, the lower guard must be released.** For all other sawing, the lower guard should operate automatically.
4. **Always observe that the lower guard is covering the blade before placing the saw down on bench or floor.** An unprotected, coasting blade will cause the saw to walk backwards, cutting whatever is in its path. Be aware of the time it takes for the blade to stop after switch is released.
5. **To check lower guard, open lower guard by hand, then release and watch guard closure. Also check to see that retracting handle does not touch tool housing.** Leaving blade exposed is VERY DANGEROUS and can lead to serious personal injury.

**Additional safety warnings**

1. **Use extra caution when cutting damp wood, pressure treated lumber, or wood containing knots.** Maintain smooth advancement of tool without decrease in blade speed to avoid overheating the blade tips.

2. **Do not attempt to remove cut material when blade is moving. Wait until blade stops before grasping cut material.** Blades coast after turn off.
3. **Avoid cutting nails. Inspect for and remove all nails from lumber before cutting.**
4. **Place the wider portion of the saw base on that part of the workpiece which is solidly supported, not on the section that will fall off when the cut is made. If the workpiece is short or small, clamp it down. DO NOT TRY TO HOLD SHORT PIECES BY HAND!**

► Fig.5

5. **Before setting the tool down after completing a cut, be sure that the guard has closed and the blade has come to a complete stop.**
6. **Never attempt to saw with the circular saw held upside down in a vise. This is extremely dangerous and can lead to serious accidents.**

► Fig.6

7. **Some material contains chemicals which may be toxic. Take caution to prevent dust inhalation and skin contact. Follow material supplier safety data.**
8. **Do not stop the blades by lateral pressure on the saw blade.**
9. **Do not use any abrasive wheels.**
10. **Only use the saw blade with the diameter that is marked on the tool or specified in the manual.** Use of an incorrectly sized blade may affect the proper guarding of the blade or guard operation which could result in serious personal injury.
11. **Keep blade sharp and clean.** Gum and wood pitch hardened on blades slows saw and increases potential for kickback. Keep blade clean by first removing it from tool, then cleaning it with gum and pitch remover, hot water or kerosene. Never use gasoline.
12. **Wear a dust mask and hearing protection when use the tool.**
13. **Always use the saw blade intended for cutting the material that you are going to cut.**
14. **Only use the saw blades that are marked with a speed equal or higher than the speed marked on the tool.**
15. **(For European countries only)**  
**Always use the blade which conforms to EN847-1.**
16. **Place the tool and the parts on a flat and stable surface.** Otherwise the tool or the parts may fall and cause an injury.

**SAVE THESE INSTRUCTIONS.**

**⚠WARNING:** DO NOT let comfort or familiarity with product (gained from repeated use) replace strict adherence to safety rules for the subject product. MISUSE or failure to follow the safety rules stated in this instruction manual may cause serious personal injury.

## Important safety instructions for battery cartridge

1. Before using battery cartridge, read all instructions and cautionary markings on (1) battery charger, (2) battery, and (3) product using battery.
2. Do not disassemble or tamper the battery cartridge. It may result in a fire, excessive heat, or explosion.
3. If operating time has become excessively shorter, stop operating immediately. It may result in a risk of overheating, possible burns and even an explosion.
4. If electrolyte gets into your eyes, rinse them out with clear water and seek medical attention right away. It may result in loss of your eyesight.
5. Do not short the battery cartridge:
  - (1) Do not touch the terminals with any conductive material.
  - (2) Avoid storing battery cartridge in a container with other metal objects such as nails, coins, etc.
  - (3) Do not expose battery cartridge to water or rain.

A battery short can cause a large current flow, overheating, possible burns and even a breakdown.

6. Do not store and use the tool and battery cartridge in locations where the temperature may reach or exceed 50 °C (122 °F).
7. Do not incinerate the battery cartridge even if it is severely damaged or is completely worn out. The battery cartridge can explode in a fire.
8. Do not nail, cut, crush, throw, drop the battery cartridge, or hit against a hard object to the battery cartridge. Such conduct may result in a fire, excessive heat, or explosion.
9. Do not use a damaged battery.
10. The contained lithium-ion batteries are subject to the Dangerous Goods Legislation requirements.

For commercial transports e.g. by third parties, forwarding agents, special requirement on packaging and labeling must be observed.

For preparation of the item being shipped, consulting an expert for hazardous material is required. Please also observe possibly more detailed national regulations.

Tape or mask off open contacts and pack up the battery in such a manner that it cannot move around in the packaging.

11. When disposing the battery cartridge, remove it from the tool and dispose of it in a safe place. Follow your local regulations relating to disposal of battery.
12. Use the batteries only with the products specified by Makita. Installing the batteries to non-compliant products may result in a fire, excessive heat, explosion, or leak of electrolyte.
13. If the tool is not used for a long period of time, the battery must be removed from the tool.

14. During and after use, the battery cartridge may take on heat which can cause burns or low temperature burns. Pay attention to the handling of hot battery cartridges.
15. Do not touch the terminal of the tool immediately after use as it may get hot enough to cause burns.
16. Do not allow chips, dust, or soil stuck into the terminals, holes, and grooves of the battery cartridge. It may result in poor performance or breakdown of the tool or battery cartridge.
17. Unless the tool supports the use near high-voltage electrical power lines, do not use the battery cartridge near a high-voltage electrical power lines. It may result in a malfunction or breakdown of the tool or battery cartridge.
18. Keep the battery away from children.

## SAVE THESE INSTRUCTIONS.

**CAUTION:** Only use genuine Makita batteries. Use of non-genuine Makita batteries, or batteries that have been altered, may result in the battery bursting causing fires, personal injury and damage. It will also void the Makita warranty for the Makita tool and charger.

## Tips for maintaining maximum battery life

1. Charge the battery cartridge before completely discharged. Always stop tool operation and charge the battery cartridge when you notice less tool power.
2. Never recharge a fully charged battery cartridge. Overcharging shortens the battery service life.
3. Charge the battery cartridge with room temperature at 10 °C - 40 °C (50 °F - 104 °F). Let a hot battery cartridge cool down before charging it.
4. When not using the battery cartridge, remove it from the tool or the charger.
5. Charge the battery cartridge if you do not use it for a long period (more than six months).

## Important safety instructions for wireless unit

1. Do not disassemble or tamper with the wireless unit.
2. Keep the wireless unit away from young children. If accidentally swallowed, seek medical attention immediately.
3. Use the wireless unit only with Makita tools.
4. Do not expose the wireless unit to rain or wet conditions.
5. Do not use the wireless unit in places where the temperature exceeds 50°C (122°F).
6. Do not operate the wireless unit in places where medical instruments, such as heart pace makers are nearby.
7. Do not operate the wireless unit in places where automated devices are nearby. If operated, automated devices may develop malfunction or error.

8. Do not operate the wireless unit in places under high temperature or places where static electricity or electrical noise could be generated.
9. The wireless unit can produce electromagnetic fields (EMF) but they are not harmful to the user.
10. The wireless unit is an accurate instrument. Be careful not to drop or strike the wireless unit.
11. Avoid touching the terminal of the wireless unit with bare hands or metallic materials.
12. Always remove the battery on the product when installing the wireless unit into it.
13. When opening the lid of the slot, avoid the place where dust and water may come into the slot. Always keep the inlet of the slot clean.
14. Always insert the wireless unit in the correct direction.
15. Do not press the wireless activation button on the wireless unit too hard and/or press the button with an object with a sharp edge.
16. Always close the lid of the slot when operating.
17. Do not remove the wireless unit from the slot while the power is being supplied to the tool. Doing so may cause a malfunction of the wireless unit.
18. Do not remove the sticker on the wireless unit.
19. Do not put any sticker on the wireless unit.
20. Do not leave the wireless unit in a place where static electricity or electrical noise could be generated.
21. Do not leave the wireless unit in a place subject to high heat, such as a car sitting in the sun.
22. Do not leave the wireless unit in a dusty or powdery place or in a place corrosive gas could be generated.
23. Sudden change of the temperature may bedew the wireless unit. Do not use the wireless unit until the dew is completely dried.
24. When cleaning the wireless unit, gently wipe with a dry soft cloth. Do not use benzine, thinner, conductive grease or the like.
25. When storing the wireless unit, keep it in the supplied case or a static-free container.
26. Do not insert any devices other than Makita wireless unit into the slot on the tool.
27. Do not use the tool with the lid of the slot damaged. Water, dust, and dirt come into the slot may cause malfunction.
28. Do not pull and/or twist the lid of the slot more than necessary. Restore the lid if it comes off from the tool.
29. Replace the lid of the slot if it is lost or damaged.

## SAVE THESE INSTRUCTIONS.

## FUNCTIONAL DESCRIPTION

**CAUTION:** Always be sure that the tool is switched off and the battery cartridge is removed before adjusting or checking function on the tool.

### Installing or removing battery cartridge

**CAUTION:** Always switch off the tool before installing or removing of the battery cartridge.

**CAUTION:** Hold the tool and the battery cartridge firmly when installing or removing battery cartridge. Failure to hold the tool and the battery cartridge firmly may cause them to slip off your hands and result in damage to the tool and battery cartridge and a personal injury.

**CAUTION:** Do not use the battery adapter with the circular saw. The cable of the battery adapter may hinder the operation and result in personal injury.

► Fig.7: 1. Red indicator 2. Button 3. Battery cartridge

To remove the battery cartridge, slide it from the tool while sliding the button on the front of the cartridge.

To install the battery cartridge, align the tongue on the battery cartridge with the groove in the housing and slip it into place. Insert it all the way until it locks in place with a little click. If you can see the red indicator on the upper side of the button, it is not locked completely.

**CAUTION:** Always install the battery cartridge fully until the red indicator cannot be seen. If not, it may accidentally fall out of the tool, causing injury to you or someone around you.

**CAUTION:** Do not install the battery cartridge forcibly. If the cartridge does not slide in easily, it is not being inserted correctly.

### Tool / battery protection system

The tool is equipped with a tool/battery protection system. This system automatically cuts off power to the motor to extend tool and battery life. The tool will automatically stop during operation if the tool or battery is placed under one of the following conditions.

#### Overload protection

When the tool/battery is operated in a manner that causes it to draw an abnormally high current, the tool automatically stops. In this situation, turn the tool off and stop the application that caused the tool to become overloaded. Then turn the tool on to restart.

#### Overheat protection

When the tool/battery is overheated, the tool stops automatically. In this situation, let the tool cool down before turning the tool on again.

#### Overdischarge protection

When the battery capacity becomes low, the tool stops automatically. If the product does not operate even when the switches are operated, remove the batteries from the tool and charge the batteries.

## Indicating the remaining battery capacity

Press the check button on the battery cartridge to indicate the remaining battery capacity. The indicator lamps light up for a few seconds.

► **Fig.8:** 1. Indicator lamps 2. Check button

Indicator lamps			Remaining capacity
Lighted	Off	Blinking	
■	□	▧	75% to 100%
■ ■ ■ ■			
■ ■ ■	□		50% to 75%
■ ■	□ □		25% to 50%
■	□ □ □		0% to 25%
▧	□ □ □ □		Charge the battery.
■ ■	□ □		The battery may have malfunctioned.
□ □	■ ■	↑ ↓	

**NOTE:** Depending on the conditions of use and the ambient temperature, the indication may differ slightly from the actual capacity.

**NOTE:** The first (far left) indicator lamp will blink when the battery protection system works.

## Adjusting depth of cut

**CAUTION:** After adjusting the depth of cut, always tighten the lever securely.

Loosen the lever on the depth guide and move the base up or down. At the desired depth of cut, secure the base by tightening the lever.

For cleaner, safer cuts, set cut depth so that no more than one blade tooth projects below workpiece. Using proper cut depth helps to reduce potential for dangerous KICKBACKS which can cause personal injury.

► **Fig.9:** 1. Lever

## Bevel cutting

**CAUTION:** After adjusting the bevel angle, always tighten the lever securely.

**CAUTION:** Remove the side grip (handle) when operating bevel cutting.

► **Fig.10:** 1. Side grip (handle)

Loosen the lever and set for the desired angle by tilting accordingly, then tighten the lever securely.

► **Fig.11:** 1. Lever

## Positive stopper

The positive stopper is useful for setting the designated angle quickly. Turn the positive stopper so that the arrow on it points your desired bevel angle (around 22.5°/45°/56°). Loosen the lever and then tilt the tool base until it stops. The position where the tool base stops is the angle you set with the positive stopper. Tighten the lever with the tool base at this position.

► **Fig.12:** 1. Positive stopper

## Sighting

For straight cuts, align the 0° position on the front of the base with your cutting line. For 45° bevel cuts, align the 45° position with it.

► **Fig.13:** 1. Cutting line (0° position) 2. Cutting line (45° position)

## Switch action

**WARNING:** Before installing the battery cartridge into the tool, always check to see that the switch trigger actuates properly and returns to the "OFF" position when released.

**WARNING:** NEVER defeat the lock-off button by taping down or some other means. A switch with a negated lock-off button may result in unintentional operation and serious personal injury.

**WARNING:** NEVER use the tool if it runs when you simply pull the switch trigger without pressing the lock-off button. A switch in need of repair may result in unintentional operation and serious personal injury. Return tool to a Makita service center for proper repairs BEFORE further usage.

**CAUTION:** The tool starts to brake the circular saw blade rotation immediately after you release the switch trigger. Hold the tool firmly to respond the reaction of the brake when releasing the switch trigger. Sudden reaction can drop the tool off your hand and can cause a personal injury.

To prevent the switch trigger from being accidentally pulled, a lock-off button is provided. To start the tool, depress the lock-off button and pull the switch trigger. Release the switch trigger to stop.

► **Fig.14:** 1. Switch trigger 2. Lock-off button

**NOTICE:** Do not pull the switch trigger hard without pressing in the lock-off button. This can cause switch breakage.

## Electric brake

This tool is equipped with an electric blade brake. If the tool consistently fails to quickly stop the circular saw blade after switch lever release, have tool serviced at a Makita service center.

**CAUTION:** The blade brake system is not a substitute for blade guard. NEVER USE TOOL WITHOUT A FUNCTIONING BLADE GUARD. SERIOUS PERSONAL INJURY CAN RESULT.

## Electronic function

The tools equipped with electronic function are easy to operate because of the following feature(s).

### Soft start feature

Soft start because of suppressed starting shock.

## ASSEMBLY

**CAUTION:** Always be sure that the tool is switched off and the battery cartridge is removed before carrying out any work on the tool.

### Offset wrench storage

When not in use, store the offset wrench as shown in the figure to keep it from being lost.

► **Fig.15:** 1. Offset wrench

### Removing or installing circular saw blade

**CAUTION:** Be sure the circular saw blade is installed with teeth pointing up at the front of the tool.

**CAUTION:** Use only the Makita offset wrench to install or remove the circular saw blade.

To remove the circular saw blade, press the shaft lock fully so that the circular saw blade cannot revolve and use the offset wrench to loosen the hex bolt. Then remove the hex bolt, outer flange, circular saw blade and ring (country specific).

► **Fig.16:** 1. Shaft lock 2. Offset wrench 3. Loosen 4. Tighten

#### For tool without the ring

► **Fig.17:** 1. Hex bolt 2. Outer flange 3. Circular saw blade 4. Arrow on the circular saw blade 5. Inner flange 6. Arrow on the tool

#### For tool with the ring

► **Fig.18:** 1. Hex bolt 2. Outer flange 3. Circular saw blade 4. Arrow on the circular saw blade 5. Ring 6. Inner flange 7. Arrow on the tool

To install the circular saw blade, follow the removal procedure in reverse.

Align the direction of the arrow on the circular saw blade with the arrow on the tool.

### For tool with the inner flange for other than 15.88 mm hole-diameter saw blade

The inner flange has a certain diameter protrusion on one side of it and a different diameter protrusion on the other side. Choose a correct side on which protrusion fits into the circular saw blade hole perfectly. Mount the inner flange onto the mounting shaft so that the correct side of protrusion on the inner flange faces outward and then place the circular saw blade and outer flange.

► **Fig.19:** 1. Mounting shaft 2. Inner flange 3. Circular saw blade 4. Outer flange 5. Hex bolt

**WARNING:** BE SURE TO TIGHTEN THE HEX BOLT COUNTERCLOCKWISE SECURELY. Also be careful not to tighten the bolt forcibly. Slipping your hand from the hex wrench can cause a personal injury.

**WARNING:** Make sure that the protrusion "a" on the inner flange that is positioned outside fits into the saw blade hole "a" perfectly. Mounting the circular saw blade on the wrong side can result in the dangerous vibration.

### For tool with the inner flange for a 15.88 mm hole-diameter saw blade (country specific)

Mount the inner flange with its recessed side facing outward onto the mounting shaft and then place circular saw blade (with the ring attached if needed), outer flange and hex bolt.

#### For tool without the ring

► **Fig.20:** 1. Mounting shaft 2. Inner flange 3. Circular saw blade 4. Outer flange 5. Hex bolt

#### For tool with the ring

► **Fig.21:** 1. Mounting shaft 2. Inner flange 3. Circular saw blade 4. Outer flange 5. Hex bolt 6. Ring

**WARNING:** BE SURE TO TIGHTEN THE HEX BOLT COUNTERCLOCKWISE SECURELY. Also be careful not to tighten the bolt forcibly. Slipping your hand from the hex wrench can cause a personal injury.

**WARNING:** If the ring is needed to mount the circular saw blade onto the spindle, always be sure that the correct ring for the blade's arbor hole you intend to use is installed between the inner and the outer flanges. Use of the incorrect arbor hole ring may result in the improper mounting of the circular saw blade causing blade movement and severe vibration resulting in possible loss of control during operation and in serious personal injury.

### Blade guard cleaning

When changing the circular saw blade, make sure to also clean the upper and lower blade guards of accumulated sawdust as discussed in the Maintenance section. Such efforts do not replace the need to check lower guard operation before each use.

### Installing side grip (handle)

**CAUTION:** Always be sure that the side grip is installed securely before operation.

**CAUTION:** Remove the side grip (handle) when operating bevel cutting. If you operate bevel cutting with the side grip (handle), it may touch the workpiece or your body and cause kickback or personal injury.

**CAUTION:** Be careful not to hit your fingers against the side grip (handle) when opening/closing the lower guard.

The side grip (handle) is helpful for holding and carrying the tool. To install the side grip (handle), screw the side grip securely on the position of the tool as shown in the figure.

► **Fig.22:** 1. Side grip (handle)



## Connecting a vacuum cleaner

### Optional accessory

**CAUTION:** Be careful not to let the hose entangled with the workpiece. It may result in serious personal injury due to kickback.

**NOTE:** To prevent the rubber cap from being lost, store it on the front of the tool.

**NOTE:** When not using the vacuum cleaner, attach the rubber cap onto the dust nozzle.

Remove the rubber cap from the dust nozzle and connect the vacuum cleaner's hose as illustrated.

► **Fig.23:** 1. Rubber cap

Connect a Makita vacuum cleaner to your tool.

► **Fig.24:** 1. Rubber cap 2. Vacuum cleaner 3. Hose 4. Dust nozzle

## OPERATION

This tool is intended to cut wood products only. Refer to our website or contact your local Makita dealer for the correct circular saw blades to be used for the material to be cut.

### Checking blade guard function

Set the bevel angle to 0°, and then retract the lower guard manually to the end and release it. The lower guard is properly functioning if;

- it is retracted above the base without any hindrance and;
- it automatically returns and contacts with the stopper.

► **Fig.25:** 1. Upper guard 2. Lower guard 3. Base 4. Stopper 5. Open 6. Close

If the lower guard is not functioning properly, check if saw dust is accumulated inside of the upper and lower guards. If the lower guard is not functioning properly even after removing dust, have your tool serviced at a Makita service center.

**CAUTION:** Wear dust mask when performing cutting operation.

**CAUTION:** Be sure to move the tool forward in a straight line gently. Forcing or twisting the tool will result in overheating the motor and dangerous kickback, possibly causing severe injury.

**NOTE:** When the battery cartridge temperature is low, the tool may not work to its full capacity. At this time, for example, use the tool for a light-duty cut for a while until the battery cartridge warms up as high as room temperature. Then, the tool can work to its full capacity.

► **Fig.26**

Hold the tool firmly. The tool is provided with both a front grip and rear handle. Use both to best grasp the tool. If both hands are holding saw, they cannot be cut by the circular saw blade. Set the base on the workpiece to be cut without the circular saw blade making any contact. Then turn the tool on and wait until the circular saw blade attains full speed. Now simply move the tool forward over the workpiece surface, keeping it flat and advancing smoothly until the sawing is completed. To get clean cuts, keep your sawing line straight and your speed of advance uniform. If the cut fails to properly follow your intended cut line, do not attempt to turn or force the tool back to the cut line. Doing so may bind the circular saw blade and lead to dangerous kickback and possible serious injury. Release switch, wait for circular saw blade to stop and then withdraw tool. Realign tool on new cut line, and start cut again. Attempt to avoid positioning which exposes operator to chips and wood dust being ejected from saw. Use eye protection to help avoid injury.

## Hook

**CAUTION:** Always remove the battery when hanging the tool with the hook.

**CAUTION:** Never hook the tool at high locations or on the surfaces where the tool may lose the balance and fall. Otherwise falling accident may occur and cause serious injury.

**CAUTION:** Do not pull the tool downward when it is hooked.

**CAUTION:** Use the hanging/mounting parts for their intended purposes only. Using for unintended purpose may cause accident or personal injury.

**CAUTION:** Never hook the tool if the hook is damaged. Otherwise falling accident may occur and cause serious injury.

The hook is convenient for hanging the tool temporarily. To use the hook, simply lift up hook until it snaps into the open position.

When not in use, always lower hook until it snaps into the closed position.

► **Fig.27:** 1. Hook 2. Open position 3. Closed position

► **Fig.28**

## Rip fence (Guide rule)

### Optional accessory

The handy rip fence allows you to do extra-accurate straight cuts. Simply slide the rip fence up snugly against the side of the workpiece and secure it in position with the clamping screw on the front of the base. It also makes repeated cuts of uniform width possible.

► **Fig.29:** 1. Rip fence (Guide rule) 2. Clamping screw

# WIRELESS ACTIVATION FUNCTION

## What you can do with the wireless activation function

The wireless activation function enables clean and comfortable operation. By connecting a supported vacuum cleaner to the tool, you can run the vacuum cleaner automatically along with the switch operation of the tool.

### ► Fig.30

To use the wireless activation function, prepare following items:

- A wireless unit (optional accessory)
- A vacuum cleaner which supports the wireless activation function

The overview of the wireless activation function setting is as follows. Refer to each section for detail procedures.

1. Installing the wireless unit
2. Tool registration for the vacuum cleaner
3. Starting the wireless activation function

## Installing the wireless unit

### Optional accessory

**CAUTION:** Place the tool on a flat and stable surface when installing the wireless unit.

**NOTICE:** Clean the dust and dirt on the tool before installing the wireless unit. Dust or dirt may cause malfunction if it comes into the slot of the wireless unit.

**NOTICE:** To prevent the malfunction caused by static, touch a static discharging material, such as a metal part of the tool, before picking up the wireless unit.

**NOTICE:** When installing the wireless unit, always be sure that the wireless unit is inserted in the correct direction and the lid is completely closed.

1. Open the lid on the tool as shown in the figure.  
► Fig.31: 1. Lid
2. Insert the wireless unit to the slot and then close the lid.

When inserting the wireless unit, align the projections with the recessed portions on the slot.

- Fig.32: 1. Wireless unit 2. Projection 3. Lid  
4. Recessed portion

When removing the wireless unit, open the lid slowly. The hooks on the back of the lid will lift the wireless unit as you pull up the lid.

- Fig.33: 1. Wireless unit 2. Hook 3. Lid

After removing the wireless unit, keep it in the supplied case or a static-free container.

**NOTICE:** Always use the hooks on the back of the lid when removing the wireless unit. If the hooks do not catch the wireless unit, close the lid completely and open it slowly again.

## Tool registration for the vacuum cleaner

**NOTE:** A Makita vacuum cleaner supporting the wireless activation function is required for the tool registration.

**NOTE:** Finish installing the wireless unit to the tool before starting the tool registration.

**NOTE:** During the tool registration, do not pull the switch trigger or turn on the power switch on the vacuum cleaner.

**NOTE:** Refer to the instruction manual of the vacuum cleaner, too.

If you wish to activate the vacuum cleaner along with the switch operation of the tool, finish the tool registration beforehand.

1. Install the batteries to the vacuum cleaner and the tool.

2. Set the stand-by switch on the vacuum cleaner to "AUTO".

► Fig.34: 1. Stand-by switch

3. Press the wireless activation button on the vacuum cleaner for 3 seconds until the wireless activation lamp blinks in green. And then press the wireless activation button on the tool in the same way.

► Fig.35: 1. Wireless activation button 2. Wireless activation lamp

If the vacuum cleaner and the tool are linked successfully, the wireless activation lamps will light up in green for 2 seconds and start blinking in blue.

**NOTE:** The wireless activation lamps finish blinking in green after 20 seconds elapsed. Press the wireless activation button on the tool while the wireless activation lamp on the cleaner is blinking. If the wireless activation lamp does not blink in green, push the wireless activation button briefly and hold it down again.

**NOTE:** When performing two or more tool registrations for one vacuum cleaner, finish the tool registration one by one.

## Starting the wireless activation function

**NOTE:** Finish the tool registration for the vacuum cleaner prior to the wireless activation.

**NOTE:** Refer to the instruction manual of the vacuum cleaner, too.

After registering a tool to the vacuum cleaner, the vacuum cleaner will automatically runs along with the switch operation of the tool.

1. Install the wireless unit to the tool.
2. Connect the hose of the vacuum cleaner with the tool.

► Fig.36

3. Set the stand-by switch on the vacuum cleaner to "AUTO".

► Fig.37: 1. Stand-by switch



4. Push the wireless activation button on the tool briefly. The wireless activation lamp will blink in blue.

► **Fig.38:** 1. Wireless activation button 2. Wireless activation lamp

5. Pull the switch trigger of the tool. Check if the vacuum cleaner runs while the switch trigger is being pulled.

To stop the wireless activation of the vacuum cleaner, push the wireless activation button on the tool.

**NOTE:** The wireless activation lamp on the tool will stop blinking in blue when there is no operation for 2 hours. In this case, set the stand-by switch on the vacuum cleaner to "AUTO" and push the wireless activation button on the tool again.

**NOTE:** The vacuum cleaner starts/stops with a delay. There is a time lag when the vacuum cleaner detects a switch operation of the tool.

**NOTE:** The transmission distance of the wireless unit may vary depending on the location and surrounding circumstances.

**NOTE:** When two or more tools are registered to one vacuum cleaner, the vacuum cleaner may start running even if you do not pull the switch trigger because another user is using the wireless activation function.

## Description of the wireless activation lamp status

► **Fig.39:** 1. Wireless activation lamp

The wireless activation lamp shows the status of the wireless activation function. Refer to the table below for the meaning of the lamp status.

Status	Wireless activation lamp			Duration	Description
	Color	<input type="checkbox"/> On	<input type="checkbox"/> Blinking		
Standby	Blue	<input checked="" type="checkbox"/>		2 hours	The wireless activation of the vacuum cleaner is available. The lamp will automatically turn off when no operation is performed for 2 hours.
		<input type="checkbox"/>		When the tool is running.	The wireless activation of the vacuum cleaner is available and the tool is running.
Tool registration	Green	<input checked="" type="checkbox"/>		20 seconds	Ready for the tool registration. Waiting for the registration by the vacuum cleaner.
		<input type="checkbox"/>		2 seconds	The tool registration has been finished. The wireless activation lamp will start blinking in blue.
Cancelling tool registration	Red	<input checked="" type="checkbox"/>		20 seconds	Ready for the cancellation of the tool registration. Waiting for the cancellation by the vacuum cleaner.
		<input type="checkbox"/>		2 seconds	The cancellation of the tool registration has been finished. The wireless activation lamp will start blinking in blue.
Others	Red	<input type="checkbox"/>		3 seconds	The power is supplied to the wireless unit and the wireless activation function is starting up.
	Off	-		-	The wireless activation of the vacuum cleaner is stopped.

## Cancelling tool registration for the vacuum cleaner

Perform the following procedure when cancelling the tool registration for the vacuum cleaner.

1. Install the batteries to the vacuum cleaner and the tool.
2. Set the stand-by switch on the vacuum cleaner to "AUTO".

► **Fig.40:** 1. Stand-by switch

3. Press the wireless activation button on the vacuum cleaner for 6 seconds. The wireless activation lamp blinks in green and then become red. After that, press the wireless activation button on the tool in the same way.

► **Fig.41:** 1. Wireless activation button 2. Wireless activation lamp

If the cancellation is performed successfully, the wireless activation lamps will light up in red for 2 seconds and start blinking in blue.

**NOTE:** The wireless activation lamps finish blinking in red after 20 seconds elapsed. Press the wireless activation button on the tool while the wireless activation lamp on the cleaner is blinking. If the wireless activation lamp does not blink in red, push the wireless activation button briefly and hold it down again.

## Troubleshooting for wireless activation function

Before asking for repairs, conduct your own inspection first. If you find a problem that is not explained in the manual, do not attempt to dismantle the tool. Instead, ask Makita Authorized Service Centers, always using Makita replacement parts for repairs.

State of abnormality	Probable cause (malfunction)	Remedy
The wireless activation lamp does not light/blink.	The wireless unit is not installed into the tool. The wireless unit is improperly installed into the tool.	Install the wireless unit correctly.
	The terminal of the wireless unit and/or the slot is dirty.	Gently wipe off dust and dirt on the terminal of the wireless unit and clean the slot.
	The wireless activation button on the tool has not been pushed.	Push the wireless activation button on the tool briefly.
	The stand-by switch on the vacuum cleaner is not set to "AUTO".	Set the stand-by switch on the vacuum cleaner to "AUTO".
	No power supply	Supply the power to the tool and the vacuum cleaner.
Cannot finish tool registration / cancelling tool registration successfully.	The wireless unit is not installed into the tool. The wireless unit is improperly installed into the tool.	Install the wireless unit correctly.
	The terminal of the wireless unit and/or the slot is dirty.	Gently wipe off dust and dirt on the terminal of the wireless unit and clean the slot.
	The stand-by switch on the vacuum cleaner is not set to "AUTO".	Set the stand-by switch on the vacuum cleaner to "AUTO".
	No power supply	Supply the power to the tool and the vacuum cleaner.
	Incorrect operation	Push the wireless activation button briefly and perform the tool registration/cancellation procedures again.
	The tool and vacuum cleaner are away from each other (out of the transmission range).	Get the tool and vacuum cleaner closer to each other. The maximum transmission distance is approximately 10 m however it may vary according to the circumstances.
	Before finishing the tool registration/cancellation; - the switch trigger on the tool is pulled or; - the power button on the vacuum cleaner is turned on.	Push the wireless activation button briefly and perform the tool registration/cancellation procedures again.
	The tool registration procedures for the tool or vacuum cleaner have not finished.	Perform the tool registration procedures for both the tool and the vacuum cleaner at the same timing.
	Radio disturbance by other appliances which generate high-intensity radio waves.	Keep the tool and vacuum cleaner away from the appliances such as Wi-Fi devices and microwave ovens.
The vacuum cleaner does not run along with the switch operation of the tool.	The wireless unit is not installed into the tool. The wireless unit is improperly installed into the tool.	Install the wireless unit correctly.
	The terminal of the wireless unit and/or the slot is dirty.	Gently wipe off dust and dirt on the terminal of the wireless unit and clean the slot.
	The wireless activation button on the tool has not been pushed.	Push the wireless activation button briefly and make sure that the wireless activation lamp is blinking in blue.
	The stand-by switch on the vacuum cleaner is not set to "AUTO".	Set the stand-by switch on the vacuum cleaner to "AUTO".
	More than 10 tools are registered to the vacuum cleaner.	Perform the tool registration again. If more than 10 tools are registered to the vacuum cleaner, the tool registered earliest will be cancelled automatically.
	The vacuum cleaner erased all tool registrations.	Perform the tool registration again.
	No power supply	Supply the power to the tool and the vacuum cleaner.
	The tool and vacuum cleaner are away from each other (out of the transmission range).	Get the tool and vacuum cleaner closer each other. The maximum transmission distance is approximately 10 m however it may vary according to the circumstances.
	Radio disturbance by other appliances which generate high-intensity radio waves.	Keep the tool and vacuum cleaner away from the appliances such as Wi-Fi devices and microwave ovens.
The vacuum cleaner runs while the tool's switch trigger is not pulled.	Other users are using the wireless activation of the vacuum cleaner with their tools.	Turn off the wireless activation button of the other tools or cancel the tool registration of the other tools.

# MAINTENANCE

**⚠ CAUTION:** Always be sure that the tool is switched off and the battery cartridge is removed before attempting to perform inspection or maintenance.

**⚠ CAUTION:** Clean out the upper and lower guards to ensure there is no accumulated saw-dust which may impede the operation of the lower guarding system. A dirty guarding system may limit the proper operation which could result in serious personal injury. The most effective way to accomplish this cleaning is with compressed air. **If the dust is being blown out of the guards, be sure the proper eye and breathing protection is used.**

**⚠ CAUTION:** After each use, wipe off the saw dust on the tool. Fine saw dust may come inside the tool and cause malfunction or a fire.

**NOTICE:** Never use gasoline, benzine, thinner, alcohol or the like. Discoloration, deformation or cracks may result.

To maintain product SAFETY and RELIABILITY, repairs, any other maintenance or adjustment should be performed by Makita Authorized or Factory Service Centers, always using Makita replacement parts.

## Adjusting 0°-cut accuracy

This adjustment has been made at the factory. But if it is off, you can adjust it as the following procedure.

1. Slightly loosen the lever on the bevel scale plate.
2. Make the base perpendicular to the blade using a triangular rule or square rule by turning the adjusting screw.

► **Fig.42:** 1. Triangular rule 2. Adjusting screw

3. Tighten the lever and then make a test cut to check the verticalness.

# OPTIONAL ACCESSORIES

**⚠ CAUTION:** These accessories or attachments are recommended for use with your Makita tool specified in this manual. The use of any other accessories or attachments might present a risk of injury to persons. Only use accessory or attachment for its stated purpose.

If you need any assistance for more details regarding these accessories, ask your local Makita Service Center.

- Circular saw blade
- Offset wrench
- Rip fence (Guide rule)
- Makita genuine battery and charger

**NOTE:** Some items in the list may be included in the tool package as standard accessories. They may differ from country to country.

## DANE TECHNICZNE

<b>Model:</b>		<b>RS002G</b>
Średnica tarczy		260 mm
Maks. głębokość cięcia	pod kątem 0°	95,0 mm
	pod kątem 45° w pionie	70,0 mm
	pod kątem 56° w pionie	54,5 mm
Prędkość bez obciążenia		4 000 min <sup>-1</sup>
Długość całkowita		489 mm
Napięcie znamionowe		Prąd stały 36 V–40 V maks.
Ciężar netto		5,7–6,3 kg

- W związku ze stale prowadzonym przez naszą firmę programem badawczo-rozwojowym niniejsze dane mogą ulec zmianom bez wcześniejszego powiadomienia.
- Dane techniczne mogą różnić się w zależności od kraju.
- Masa może być różna w zależności od osprzętu, w tym akumulatora. W tabeli przedstawiona jest najlżejsza i najcięższa konfiguracja, zgodnie z procedurą EPTA 01/2014.

## Kompatybilne akumulatory i ładowarki

Akumulator	BL4020 / BL4025 / BL4040 / BL4050F* *: Zalecany akumulator
Ładowarka	DC40RA / DC40RB / DC40RC

- Pewne z wymienionych powyżej akumulatorów i ładowarek mogą być niedostępne w regionie zamieszkania użytkownika.

**⚠ OSTRZEŻENIE:** Należy używać wyłącznie akumulatorów i ładowarek wymienionych powyżej. Używanie innych akumulatorów i ładowarek może stwarzać ryzyko wystąpienia obrażeń ciała lub pożaru.

## Przeznaczenie

Narzędzie przeznaczone jest do wykonywania wzdłużnych i poprzecznych cięć prostych oraz cięć pod kątem w drewnie, gdy spoczywa ono pewnie na obrabianym elemencie.

## Hałas

Typowy równoważny poziom dźwięku A określony w oparciu o normę EN62841-2-5:

Poziom ciśnienia akustycznego ( $L_{pA}$ ): 96 dB(A)

Poziom mocy akustycznej ( $L_{WA}$ ): 107 dB (A)

Niepewność (K): 3 dB(A)

**WSKAZÓWKA:** Deklarowana wartość emisji hałasu została zmierzona zgodnie ze standardową metodą testową i można ją wykorzystać do porównywania narzędzi.

**WSKAZÓWKA:** Deklarowaną wartość emisji hałasu można także wykorzystać we wstępnej ocenie narażenia.

**⚠ OSTRZEŻENIE:** Nosić ochronniki słuchu.

**⚠ OSTRZEŻENIE:** Poziom hałasu wytwarzanego podczas rzeczywistego użytkowania elektronarzędzia może się różnić od wartości deklarowanej w zależności od sposobu użytkowania narzędzia, a w szczególności od rodzaju obrabianego elementu.

**⚠ OSTRZEŻENIE:** W oparciu o szacowane narażenie w rzeczywistych warunkach użytkowania należy określić środki bezpieczeństwa w celu zapewnienia ochrony operatora (uwzględniając wszystkie elementy cyklu działania, tj. czas, kiedy narzędzie jest wyłączone i kiedy pracuje na biegu jałowym, a także czas, kiedy jest włączone).

## Drgania

Całkowita wartość poziomu drgań (suma wektorów w 3 osiach) określona zgodnie z normą EN62841-2-5:

Tryb pracy: Cięcie drewna

Emisja drgań ( $a_{h,W}$ ): 2,5 m/s<sup>2</sup> lub mniej

Niepewność (K): 1,5 m/s<sup>2</sup>

**WSKAZÓWKA:** Deklarowana wartość poziomu drgań została zmierzona zgodnie ze standardową metodą testową i można ją wykorzystać do porównywania narzędzi.

**WSKAZÓWKA:** Deklarowaną wartość poziomu drgań można także wykorzystać we wstępnej ocenie narażenia.

**⚠️ OSTRZEŻENIE:** Drgania wytwarzane podczas rzeczywistego użytkownika elektronarzędzia mogą się różnić od wartości deklarowanej w zależności od sposobu użytkownika narzędzia, a w szczególności od rodzaju obrabianego elementu.

**⚠️ OSTRZEŻENIE:** W oparciu o szacowane narażenie w rzeczywistych warunkach użytkownika należy określić środki bezpieczeństwa w celu zapewnienia ochrony operatora (uwzględniając wszystkie elementy cyklu działania, tj. czas, kiedy narzędzie jest włączone i kiedy pracuje na biegu jałowym, a także czas, kiedy jest włączone).

## Deklaracja zgodności WE

### Dotyczy tylko krajów europejskich

Deklaracja zgodności WE jest dołączona jako załącznik A do niniejszej instrukcji obsługi.

## OSTRZEŻENIA DOTYCZĄCE BEZPIECZEŃSTWA

### Ogólne zasady bezpiecznej eksploatacji elektronarzędzi

**⚠️ OSTRZEŻENIE:** Należy zapoznać się z ostrzeżeniami dotyczącymi bezpieczeństwa, instrukcjami, ilustracjami i danymi technicznymi dołączonymi do tego elektronarzędzia. Niezastosowanie się do podanych poniżej instrukcji może prowadzić do porażenia prądem, pożaru i/lub poważnych obrażeń ciała.

## Wszystkie ostrzeżenia i instrukcje należy zachować do wykorzystania w przyszłości.

Pojęcie „elektonarzędzie”, występujące w wymienionych tu ostrzeżeniach, odnosi się do elektronarzędzia zasilanego z sieci elektrycznej (z przewodem zasilającym) lub do elektronarzędzia akumulatorowego (bez przewodu zasilającego).

### Ostrzeżenia dotyczące bezpieczeństwa dla akum. ręcznej pilarki tarczowej

#### Procedury cięcia

- ⚠️ NIEBEZPIECZEŃSTWO:** Trzymać ręce z dala od obszaru cięcia oraz tarczy. Drugą dłoń trzymać na dodatkowym uchwycie lub na obudowie silnika. Jeśli obie dłonie trzymają pilarkę, nie mogą zostać przecięte przez tarczę.
- Nie wolno sięgać rękoma pod spód obrabianego elementu. Osłona nie chroni użytkownika przed tarczą wychodzącą spod spodu obrabianego elementu.
- Głębokość cięcia należy dostosować do grubości obrabianego elementu. Spod spodu obrabianego elementu może wystawać najwyższej niecały ząb tarczy.

- Obrabianego elementu nie wolno trzymać w rękach ani na nogach. Obrabiany element należy przymocować do stabilnej podstawy. Prawidłowe podparcie elementu jest istotne, ponieważ minimalizuje zagrożenia dla operatora i ryzyko zakleszczenia się tarczy oraz utraty kontroli.

#### ► Rys.1

- Trzymać elektronarzędzie za izolowane powierzchnie rękojeści podczas wykonywania prac, przy których narzędzie tnące może dotknąć niewidocznej instalacji elektrycznej. Zetknięcie z przewodem elektrycznym znajdującym się pod napięciem spowoduje, że odsłonięte metalowe elementy narzędzia również znajdą się pod napięciem, grożąc porażeniem operatora prądem elektrycznym.
- Podczas cięcia wzdłużnego należy zawsze stosować przewodnik wzdłużną lub szynę prowadzącą. Zwiększa to dokładność cięcia i zmniejsza prawdopodobieństwo zakleszczenia tarczy.
- Zawsze należy używać tarcz o prawidłowym rozmiarze i kształcie ( romb lub koło) otworu na wałek. Tarcze, które nie pasują do osprzętu do ich montażu w narzędziu, będą obracać się mimosłowo, powodując utratę kontroli.
- Nie wolno używać uszkodzonych ani niewłaściwych podkładek i śrub do mocowania tarczy. Podkładki i śruby do mocowania tarczy zostały zaprojektowane specjalnie dla opisywanego narzędzia w celu zapewnienia jego optymalnego działania i bezpieczeństwa obsługi.

#### Przyczyny odrzutu i związane z tym ostrzeżenia:

- odrzut stanowi nagłą reakcję zakleszczonej, zablokowanej lub wygiętej tarczy, polegającą na niekontrolowanym uniesieniu pilarki w górę i wyrzuceniu jej z obrabianego elementu w kierunku operatora;
- gdy w skutek zaciskania się lub zablokowania materiału z obu stron rzuca tarcza zakleszczy się, wówczas reakcja silnika spowoduje gwałtowne wypchnięcie urządzenia w tył w kierunku operatora;
- jeśli podczas cięcia prowadzona w materiale tarcza zostanie skręcona lub wygięta, zęby znajdujące się na jej tylnej krawędzi mogą wkuć się w górną powierzchnię drewna, wypychając tarczę z rzuca i powodując odskoczenie narzędzia do tyłu w kierunku operatora.

Odrzut jest wynikiem nieprawidłowego używania pilarki i/lub niewłaściwych procedur lub warunków jej obsługi. Można tego uniknąć, podejmując odpowiednie środki ostrożności, które podano poniżej.

- Przez cały czas pilarkę należy trzymać mocno obracząc, ustawiając ręce w taki sposób, aby przeciwdziałać siłom odrzutu. Nie wolno stawać na linii tarczy, lecz po jednej albo po drugiej jej stronie. Odrzut może spowodować odskoczenie pilarki w tył. Operator może jednak kontrolować siły odrzutu, jeśli zostaną podjęte odpowiednie środki ostrożności.
- W przypadku zakleszczenia się tarczy lub przerwania operacji cięcia z jakiegokolwiek powodu należy zwolnić spust przełącznika, trzymając pilarkę w materiale do momentu całkowitego zatrzymania się tarczy. Nie wolno wyciągać ani wycofywać pilarki z przecinanego elementu, gdy tarcza znajduje się w ruchu, bowiem w przeciwnym razie może wystąpić odrzut. Zbadać przyczynę zakleszczenia się tarczy i podjąć stosowne działanie, aby wyeliminować problem.

3. **Przed ponownym uruchomieniem pilarki znajduącej się w obrabianym elemencie należy ustawić tarczę tnącą w środku rzazu tak, żeby zęby tarczy nie były wbite w materiał.** Jeśli tarcza tnąca zablokuje się, wówczas w momencie uruchomienia pilarki może zostać wypchnięta ku górze albo wystąpi odrzut.
4. **Duże płyty należy podierać, aby zminimalizować ryzyko zakleszczania się tarczy i odrzutu.** Duże płyty mają tendencję do wyginania się pod własnym ciężarem. Podpory muszą być ustawione pod płytą w sąsiedztwie linii cięcia po obu jej stronach oraz w pobliżu końców płyty.

► **Rys.2**

► **Rys.3**

5. **Nie wolno używać tępych ani uszkodzonych tarcz.** Nienaostrzone lub niewłaściwie założone tarcze dają wąski rżaz, który jest przyczyną nadmiernej tarcia, zakleszczania się tarczy i odrzutów.
6. **Dźwignie blokujące regulacji głębokości tarczy i kąta muszą być dobrze dokręcone i zaciśnięte przed przystąpieniem do cięcia.** Jeśli ustawienie tarczy zmienia się podczas cięcia, może spowodować zakleszczenie się tarczy i odrzut narzędzia.
7. **Należy zachować szczególną ostrożność w przypadku wykonywania cięcia w ścianach bądź innych zakrytych powierzchniach.** Wystająca tarcza może przeciąć niewidoczne elementy, które z kolei mogą wywołać odrzut.
8. **Narzędzie należy ZAWSZE trzymać mocno oburącz. Nie wolno NIGDY trzymać rąk, nóg ani innych części ciała pod podstawą narzędzia ani za nim, zwłaszcza podczas wykonywania cięć poprzecznych.** W przypadku wystąpienia odrzutu pilarka może z łatwością odskoczyć w tył, przesuwając się po ręce, powodując poważne obrażenia.

► **Rys.4**

9. **Pilarkę należy prowadzić bez używania nadmiernej siły. Pilarkę należy popychać do przodu z prędkością, przy której tarcza nie zwalnia podczas cięcia.** Popychanie z nadmierną siłą może bowiem powodować powstawanie nierównych rżazów, prowadzić do utraty precyzji cięcia i stwarzać możliwość odrzutu.

**Funkcja osłony**

1. **Każdorazowo przed użyciem sprawdzić, czy dolna osłona prawidłowo się zamyka. Nie uruchamiać pilarki, jeśli dolna osłona nie przesuwa się swobodnie lub zamyka się z opóźnieniem. Nie wolno w żadnym wypadku przywiązywać dolnej osłony ani w inny sposób jej unieruchamiać w pozycji otwartej.** Jeśli narzędzie przypadkowo upadnie, dolna osłona może ulec wygięciu. W takim przypadku unieść dolną osłonę za pomocą uchwytu cofania i upewnić się, że osłona przesuwa się swobodnie i nie dotyka tarczy ani innego elementu przy wszystkich ustawieniach kąta i głębokości cięcia.
2. **Sprawdzić działanie sprężyny dolnej osłony. Jeśli osłona i sprężyna nie działają prawidłowo, wówczas przed użyciem narzędzia należy zlecić ich naprawę.** Dolna osłona może przesuwać się z oporami wskutek uszkodzonych elementów, osadów żywicy oraz nagromadzonych zabrudzeń.

3. **Dolną osłonę wolno cofać ręcznie tylko w przypadku specjalnych cięć, takich jak „cięcia wgłębne” i „cięcia złożone”.** Unieść dolną osłonę za pomocą uchwytu cofania i, gdy tylko tarcza wejdzie w materiał, zwolnić ją. W przypadku pozostałych operacji cięcia dolna osłona powinna działać w sposób automatyczny.
4. **Przed odłożeniem narzędzia na stół lub podłogę należy zwrócić uwagę, czy dolna osłona zasłania tarczę.** Nieosłonięta tarcza, obracająca się siłą rozpędu, spowoduje ruch narzędzia do tyłu, które będzie cięło wszystko, co napotka na swojej drodze. Należy mieć świadomość, że od momentu zwolnienia przełącznika do chwili zatrzymania się tarczy upływa pewien czas.
5. **W celu skontrolowania dolnej osłony należy ją otworzyć ręką, a następnie zwolnić, obserwując, w jaki sposób się zamyka. Należy również sprawdzić, czy uchwyt cofania nie dotyka obudowy narzędzia.** Odsłonięta tarcza stanowi BARDZO DUŻE NIEBEZPIECZEŃSTWO i może prowadzić do poważnych obrażeń ciała.

**Dodatkowe ostrzeżenia dotyczące bezpieczeństwa**

1. **W przypadku cięcia wilgotnego drewna, impregnowanej ciśnieniowo tarczy lub drewna z sękami należy zachować szczególną ostrożność.** Utrzymywać jednostajny ruch posuwisty narzędzia bez zmniejszania prędkości obrotowej tarczy w celu uniknięcia przegrzania się zębów piły.
2. **Nie wolno usuwać przeciętego materiału, gdy tarcza jest w ruchu.** Przed chwyceniem przeciętego materiału należy odczekać, aż tarcza zatrzyma się. Po wyłączeniu tarcze dalej obracają się siłą rozpędu.
3. **Należy unikać cięcia gwoździ. Przed przystąpieniem do cięcia należy skontrolować tarciecę i usunąć z niej wszystkie gwoździe.**
4. **Podstawę pilarki umieścić po tej stronie obrabianego elementu, która jest dobrze podparta, a nie po tej, która odpadnie w momencie przecięcia. Jeśli obrabiany element jest krótki lub ma niewielkie rozmiary, należy go unieruchomić. NIE WOLNO PRZYTRZYMYWAĆ KRÓTKICH ELEMENTÓW RĘKĄ!**

► **Rys.5**

5. **Przed odłożeniem narzędzia po zakończonej operacji cięcia należy upewnić się, czy osłona zamknęła się oraz czy tarcza całkowicie się zatrzymała.**
6. **Nie wolno podejmować prób cięcia pilarką zamocowaną do góry nogami w imadle. Jest to wyjątkowo niebezpieczne i może prowadzić do poważnych wypadków.**

► **Rys.6**

7. **Niektóre materiały zawierają substancje chemiczne, które mogą być toksyczne. Unikać wdychania pyłu i kontaktu ze skórą. Przestrzegać przepisów bezpieczeństwa podanych przez dostawcę materiałów.**
8. **Nie wolno zatrzymywać tarczy, wywierając na nią poprzeczny nacisk.**
9. **Nie wolno używać tarcz ściernych.**
10. **Używać wyłącznie tarczy o średnicy oznaczonej na narzędziu lub określonej w instrukcji.** Korzystanie z tarczy o nieodpowiednim rozmiarze może uniemożliwić prawidłowe zabezpieczenie tarczy lub zakłócić działanie osłony, co może skutkować odniesieniem poważnych obrażeń ciała.



11. Tarcza powinna być zawsze naostrzona i czysta. Stwardniała żywica i smoła drzewna na tarczach spowalnia ruch obrotowy pilarki i zwiększa ryzyko odrzutu. Tarcza powinna być zawsze czysta. W celu oczyszczenia tarczy należy ją najpierw zdjąć z narzędzia, następnie oczyścić zmywaczem do żywicy i smoły, gorącą wodą lub naftą. Nie wolno stosować benzyny.
12. Do pracy należy zakładać maskę przeciwpyłową oraz ochronniki słuchu.
13. Zawsze używać tarczy tnącej przeznaczonej do cięcia materiału, który ma być cięty.
14. Stosować wyłącznie tarcze tnące z oznaczeniem prędkości równej lub wyższej niż wartość prędkości oznaczonej na narzędziu.
15. (Dotyczy tylko krajów europejskich). Zawsze używaj tarczy zgodnej z normą EN847-1.
16. Umieścić narzędzie i części na płaskiej i stabilnej powierzchni. W przeciwnym razie narzędzie lub części mogą spaść i spowodować obrażenia ciała.
7. Akumulatorów nie wolno spalać, również tych poważnie uszkodzonych lub całkowicie zużytych. Akumulator może eksplodować w ogniu.
8. Nie należy przecinać ani zginać akumulatora, wbijać w niego gwoździe, rzucać nim, upuszczać, ani uderzać akumulatorem o twarde objekty. Takie działanie może spowodować pożar, przegrzanie lub wybuch.
9. Nie wolno używać uszkodzonego akumulatora.
10. Stanowiące wyposażenie akumulatory litowo-jonowe podlegają przepisom dotyczącym produktów niebezpiecznych.

Na potrzeby transportu komercyjnego, np. świadczony przez firmy trzecie czy spedycyjne, należy przestrzegać specjalnych wymagań w zakresie pakowania i oznaczania etykietami. Przygotowanie produktu do wysyłki wymaga skonsultowania się ze specjalistą ds. materiałów niebezpiecznych. Należy także przestrzegać przepisów krajowych, które mogą być bardziej szczegółowe. Zakleić taśmą lub zaślepić otwarte styki akumulatora oraz zabezpieczyć go, aby nie mógł się przesuwać w opakowaniu.

## ZACHOWAĆ NINIEJSZĄ INSTRUKCJĘ.

**⚠️ OSTRZEŻENIE:** NIE WOLNO pozwolić, aby wygoda lub rutyna (nabyta w wyniku wielokrotnego używania urządzenia) zastąpiły ścisłe przestrzeganie zasad bezpieczeństwa obsługi. NIEWŁAŚCIWE UŻYTKOWANIE narzędzia lub niestosowanie się do zasad bezpieczeństwa podanych w niniejszej instrukcji obsługi może prowadzić do poważnych obrażeń ciała.

## Ważne zasady bezpieczeństwa dotyczące akumulatora

1. Przed użyciem akumulatora zapoznać się ze wszystkimi instrukcjami i znakami ostrzegawczymi na (1) ładowarce, (2) akumulatorze i (3) produkcie, w którym będzie używany akumulator.
2. Nie rozmontowywać ani modyfikować akumulatora. Może to spowodować pożar, przegrzanie lub wybuch.
3. Jeśli czas działania uległ znacznemu skróceniu, należy natychmiast przerwać pracę. Może bowiem dojść do przegrzania, ewentualnych poparzeń, a nawet eksplozji.
4. W przypadku przedostania się elektrolitu do oczu, przemyć je czystą wodą i niezwłocznie uzyskać pomoc lekarską. Może on bowiem spowodować utratę wzroku.
5. Nie doprowadzać do zwarcia akumulatora:
  - (1) Nie dotykać styków materiałami przewodzącymi prąd.
  - (2) Unikać przechowywania akumulatora w pojemniku z metalowymi przedmiotami, takimi jak gwoździe, monety itp.
  - (3) Chronić akumulator przed deszczem lub wodą. Zwarcie prowadzi do przepływu prądu elektrycznego o dużym natężeniu i przegrzania akumulatora, co w konsekwencji może grozić poparzeniami a nawet awarią urządzenia.
6. Narzędzia i akumulatora nie wolno przechowywać ani używać w miejscach, w których temperatura osiąga bądź przekracza 50°C (122°F).
11. Jeśli zajdzie konieczność utylizacji akumulatora, należy wyjąć go z narzędzia i przekazać w bezpieczne miejsce. Postępować zgodnie z przepisami lokalnymi dotyczącymi utylizacji akumulatorów.
12. Używać akumulatorów tylko z produktami określonymi przez firmę Makita. Zastosowanie akumulatorów w niezgodnych produktach może spowodować pożar, przegrzanie, wybuch lub wyciek elektrolitu.
13. Jeśli narzędzie nie będzie używane przez dłuższy czas, należy wyjąć z niego akumulator.
14. Przed użyciem akumulatora i po jego użyciu akumulator może pozostawać nagrany, co może spowodować poparzenia lub poparzenia w niskiej temperaturze. Z gorącym akumulatorem należy obchodzić się ostrożnie.
15. Nie należy dotykać styku narzędzia bezpośrednio po jego użyciu, ponieważ może on być na tyle gorący, że spowoduje oparzenia.
16. Nie należy dopuszczać, aby wióry, kurz lub błoto gromadziły się na stykach, w otworach i rowkach akumulatora. Może to spowodować obniżenie wydajności lub uszkodzenie narzędzia lub akumulatora.
17. Jeśli narzędzie nie jest przeznaczone do użytku w pobliżu linii wysokiego napięcia, nie należy korzystać z akumulatora w ich sąsiedztwie. Może to spowodować nieprawidłowości w działaniu lub uszkodzenie narzędzia lub akumulatora.
18. Przechowywać akumulator w miejscu niedostępnym dla dzieci.

## ZACHOWAĆ NINIEJSZE INSTRUKCJE.

**⚠️ PRZESTROGA:** Używać wyłącznie oryginalnych akumulatorów firmy Makita. Używanie nieoryginalnych akumulatorów firm innych niż Makita lub akumulatorów, które zostały zmodyfikowane, może spowodować wybuch akumulatora i pożar, obrażenia ciała oraz zniszczenie mienia. Stanowi to również naruszenie warunków gwarancji firmy Makita dotyczących narzędzia i ładowarki.

## Wskazówki dotyczące zachowania maksymalnej trwałości akumulatora

1. Akumulator należy naładować zanim zostanie do końca rozładowany. Po zauważeniu spadku mocy narzędzia należy przerwać pracę i naładować akumulator.
2. Nie wolno ładować powtórnie w pełni naładowanego akumulatora. Przeładowanie akumulatora skraca jego trwałość.
3. Akumulator należy ładować w temperaturze pokojowej w przedziale 10–40°C (50–104°F). W przypadku gorącego akumulatora przed przystąpieniem do ładowania należy poczekać, aż ostygnie.
4. Jeśli akumulator nie jest używany, należy go wyjąć z narzędzia lub ładowarki.
5. Akumulatory nikloowo-wodorkowe należy naładować po okresie długiego nieużytkowania (dłuższego niż sześć miesięcy).

## Ważne zasady bezpieczeństwa dotyczące złącza bezprzewodowego

1. Nie rozmontowywać ani modyfikować złącza bezprzewodowego.
2. Trzymać złącze bezprzewodowe z dala od małych dzieci. W przypadku przypadkowego połknięcia natychmiast skorzystać z pomocy medycznej.
3. Używać złącza bezprzewodowego wyłącznie z narzędziami firmy Makita.
4. Nie narażać złącza bezprzewodowego na działanie deszczu lub niesprzyjających warunków atmosferycznych.
5. Nie używać złącza bezprzewodowego w miejscach, w których temperatura przekracza 50°C.
6. Nie obsługiwać złącza bezprzewodowego w miejscach, w których w pobliżu znajdują się przyrządy medyczne, takie jak rozruszniki serca.
7. Nie obsługiwać złącza bezprzewodowego w miejscach, w których w pobliżu znajdują się zautomatyzowane urządzenia. W przypadku obsługi złącza bezprzewodowego w zautomatyzowanym urządzeniu może wystąpić usterka lub błąd.
8. Nie używać złącza bezprzewodowego w miejscach, w których panuje wysoka temperatura lub takich, w których możliwe jest wygenerowanie ładunków elektrostatycznych lub zakłóceń elektrycznych.
9. Złącze bezprzewodowe może wytwarzać pole elektromagnetyczne, które nie jest szkodliwe dla użytkownika.
10. Złącze bezprzewodowe to czuły przyrząd. Należy chronić złącze bezprzewodowe przed upadkiem i uderzeniami.
11. Unikać dotknięcia zacisku złącza bezprzewodowego gołymi rękoma lub metalowymi materiałami.

12. W przypadku montażu złącza bezprzewodowego należy zawsze wyciągać akumulator z produktu.
13. Podczas otwierania pokrywy gniazda unikać miejsc, w których pył i woda mogą przedostać się do gniazda. Zawsze utrzymywać wlot gniazda w czystości.
14. Zawsze wkładać złącze bezprzewodowe skierowane w odpowiednią stronę.
15. Nie naciskać zbyt mocno przycisku aktywacji bezprzewodowej na złączu bezprzewodowym i/lub nie naciskać przycisku za pomocą przedmiotu z ostrą krawędzią.
16. Zawsze zamykać pokrywę gniazda podczas pracy.
17. Nie usuwać złącza bezprzewodowego z gniazda, gdy zasilanie narzędzia jest włączone. Wykonanie tej czynności może spowodować usterkę złącza bezprzewodowego.
18. Nie usuwać naklejki ze złącza bezprzewodowego.
19. Nie umieszczać żadnej naklejki na złączu bezprzewodowym.
20. Nie pozostawiać złącza bezprzewodowego w miejscach, w których możliwe jest wygenerowanie ładunków elektrostatycznych lub szumów elektrycznych.
21. Nie pozostawiać złącza bezprzewodowego w miejscach narażonych na działanie wysokich temperatur, na przykład w samochodzie zaparkowanym w słońcu.
22. Nie pozostawiać złącza bezprzewodowego w miejscach, w których występuje kurz, pył lub gazy wykazujące właściwości korozyjne.
23. Nagła zmiana temperatury może spowodować pojawienie się rosy na złączu bezprzewodowym. Nie używać urządzenia, aż do momentu całkowitego osuszenia rosy.
24. W przypadku czyszczenia złącza bezprzewodowego delikatnie wytrzeć je przy użyciu miękkiej, suchej szmatki. Nie stosować benzyny, rozpuszczalnika, smaru przewodzącego prąd i innych podobnych substancji.
25. W przypadku przechowywania złącza bezprzewodowego umieścić je w dołączonej obudowie lub antystatycznym pojemniku.
26. Nie wkładać żadnych urządzeń innych niż złącze bezprzewodowe firmy Makita do gniazda w narzędziu.
27. Nie wolno używać narzędzia, gdy pokrywa gniazda jest uszkodzona. Woda, pył i zabrudzenia, które przedostaną się do gniazda, mogą spowodować usterkę.
28. Nie ciągnąć i/lub nie obracać nadmiernie pokrywy gniazda. Umieścić pokrywę w odpowiednim miejscu w przypadku zsunienia się jej z narzędzia.
29. Wymienić pokrywę gniazda w przypadku jej zgięcia lub uszkodzenia.

**ZACHOWAĆ NINIEJSZĄ INSTRUKCJĘ.**



## OPIS DZIAŁANIA

**⚠ PRZESTROGA:** Przed przystąpieniem do regulacji lub przeglądu narzędzia upewnić się, że jest ono wyłączone, a akumulator został wyjęty.

### Wkładanie i wyjmowanie akumulatora

**⚠ PRZESTROGA:** Przed włożeniem lub wyjęciem akumulatora należy zawsze wyłączyć narzędzie.

**⚠ PRZESTROGA:** Podczas wkładania lub wyjmowania akumulatora należy mocno trzymać narzędzie i akumulator. W przeciwnym razie mogą się one wyslizgnąć z rąk, powodując uszkodzenie narzędzia lub akumulatora i obrażenia ciała.

**⚠ PRZESTROGA:** Nie używać adaptera akumulatora z ręczną pilarką tarczową. Kabel adaptera akumulatora może utrudniać pracę i spowodować obrażenia ciała.

► Rys.7: 1. Czerwony wskaźnik 2. Przycisk 3. Akumulator

Aby wyjąć akumulator, przesunąć przycisk znajdujący się w przedniej jego części i wysunąć akumulator.

Aby włożyć akumulator, wyrównaj występ na akumulatorze z rowkiem w obudowie i wsunąć go na swoje miejsce. Akumulator należy wsunąć do oporu, aż się zatrzaśnie na miejscu, co jest sygnalizowane delikatnym kliknięciem. Jeśli w górnej części przycisku jest widoczny czerwony wskaźnik, akumulator nie został całkowicie zatrzaśnięty.

**⚠ PRZESTROGA:** Akumulator należy włożyć do końca, tak aby czerwony wskaźnik nie był widoczny. W przeciwnym razie może przypadkowo wypaść z narzędzia, powodując obrażenia operatora lub osób postronnych.

**⚠ PRZESTROGA:** Nie wkładać akumulatora na siłę. Jeśli akumulator nie daje się swobodnie wsunąć, oznacza to, że został włożony nieprawidłowo.

### Układ zabezpieczenia narzędzia/akumulatora

Narzędzie jest wyposażone w układ zabezpieczenia narzędzia/akumulatora. Układ automatycznie odcina zasilanie silnika w celu wydłużenia trwałości narzędzia i akumulatora. Narzędzie zostanie automatycznie zatrzymane podczas pracy w następujących sytuacjach związanych z narzędziem lub akumulatorem. Niektóre sytuacje zostaną wskazane poprzez włączenie się odpowiednich wskaźników.

### Zabezpieczenie przed przeciążeniem

W przypadku użytkownika narzędzia/akumulatora w sposób powodujący nadmiernie wysoki pobór prądu narzędzie zostanie automatycznie zatrzymane. W takiej sytuacji należy wyłączyć narzędzie i zaprzestać wykonywania czynności powodującej jego przeciążenie. Następnie należy włączyć narzędzie w celu ponownego uruchomienia.

### Zabezpieczenie przed przegrzaniem

W przypadku przegrzania narzędzia/akumulatora narzędzie wyłączy się automatycznie. W takiej sytuacji przed ponownym włączeniem należy poczekać, aż narzędzie ostygnie.






















### Zabezpieczenie przed nadmiernym rozładowaniem

Gdy poziom naładowania akumulatora spadnie, narzędzie zostanie automatycznie zatrzymane. Jeśli produkt nie działa pomimo włączenia przełączników, należy wyjąć akumulator z narzędzia i naładować je.

### Wskazanie stanu naładowania akumulatora

Nacisnąć przycisk kontrolny na akumulatorze w celu wyświetlenia stanu naładowania akumulatora. Lampki wskaźnika zaświecą się przez kilka sekund.

► Rys.8: 1. Lampki wskaźnika 2. Przycisk kontrolny

Lampki wskaźnika			Pozostała energia akumulatora
Świeci się	Wyłączony	Miga	
			75–100%
			50–75%
			25–50%
			0–25%
			Naładować akumulator.
			Akumulator może nie działać poprawnie.
			

**WSKAZÓWKA:** Zależnie od warunków użytkowania i temperatury otoczenia, wskazywany poziom może nieznacznie się różnić od rzeczywistego stanu naładowania akumulatora.

**WSKAZÓWKA:** Pierwsza (skrajnie po lewej stronie) lampka wskaźnika miga, gdy układ zabezpieczenia akumulatora jest aktywny.

### Regulacja głębokości cięcia

**⚠ PRZESTROGA:** Po zakończeniu regulacji głębokości cięcia należy zawsze dobrze docisnąć dźwignię.

Poluzować dźwignię na prowadnicy głębokości i przesunąć podstawę w górę lub w dół. Po ustawieniu żądanej głębokości cięcia zablokować podstawę, dociskając dźwignię. Głębokość cięcia powinna być ustawiona w taki sposób, aby spod spodu obrabianego elementu nie wystawał więcej niż jeden ząb tarczy, co zapewni czystsze i bezpieczniejsze cięcie. Stosowanie prawidłowego ustawienia głębokości cięcia zmniejsza ryzyko niebezpiecznych ODRZUTÓW, które grożą obrażeniami ciała.

► Rys.9: 1. Dźwignia

## Cięcie pod kątem w pionie

**⚠ PRZESTROGA:** Po zakończeniu regulacji kąta cięcia w pionie należy zawsze dobrze dokręcić dźwignię.

**⚠ PRZESTROGA:** Podczas cięcia pod kątem w pionie zdjąć uchwyt boczny (rękojeść).

► **Rys.10:** 1. Uchwyt boczny (rękojeść)

Poluzować dźwignię i ustawić wymagany kąt, przechylając odpowiednio narzędzie, a następnie dobrze docisnąć dźwignię.

► **Rys.11:** 1. Dźwignia

## Ogranicznik

Ogranicznik służy do szybkiego ustawiania wymaganego kąta. Przekręcić ogranicznik tak, aby jego strzałka wskazywała żądany kąt cięcia w pionie (22,5°/45°/56°). Poluzować dźwignię, a następnie przechylić podstawę narzędzia, aż się zatrzyma. Położenie, w którym zatrzyma się podstawa narzędzia, to kąt ustawiany za pomocą ogranicznika. Gdy podstawa narzędzia znajduje się w tym położeniu, docisnąć dźwignię.

► **Rys.12:** 1. Ogranicznik

## Celowanie

W przypadku cięć prostych wyrównać położenie 0° w przedniej części podstawy z linią cięcia. W przypadku cięć pod kątem 45° wyrównać położenie 45° z linią cięcia.

► **Rys.13:** 1. Linia cięcia (położenie 0°) 2. Linia cięcia (położenie 45°)

## Działanie przełącznika

**⚠ OSTRZEŻENIE:** Przed włożeniem akumulatora do narzędzia należy zawsze sprawdzić, czy spust przełącznika działa prawidłowo i czy powraca do położenia wyłączenia po jego zwolnieniu.

**⚠ OSTRZEŻENIE:** NIE WOLNO pomijać ani blokować działania przycisku blokady poprzez zaklejenie go taśmą ani w inny sposób. Wyłącznik z pominiętym lub zablokowanym przyciskiem blokady może spowodować przypadkowe uruchomienie narzędzia i poważne obrażenia ciała.

**⚠ OSTRZEŻENIE:** NIE WOLNO używać narzędzia, jeśli można je uruchomić tylko za pomocą spustu przełącznika bez uprzedniego wciśnięcia przycisku blokady. Niesprawny, wymagający naprawy przełącznik może spowodować przypadkowe uruchomienie urządzenia i poważne obrażenia ciała. PRZED dalszym użytkowaniem narzędzia należy przekazać je do punktu serwisowego narzędzi Makita w celu naprawy.

**⚠ PRZESTROGA:** Natychmiast po zwolnieniu spustu przełącznika narzędzie zacznie hamować ruch obrotowy piły tarczowej. Zwalniając spust przełącznika, należy mocno przytrzymać narzędzie, aby odpowiednio zareagować na zadziałanie hamulca. Nagłe zadziałanie może spowodować wypadnięcie narzędzia z ręki i doprowadzić do urazu.

Aby uniknąć przypadkowego pociągnięcia spustu przełącznika, urządzenie jest wyposażone w przycisk blokady włączenia. Aby uruchomić narzędzie, należy nacisnąć przycisk blokady włączenia i pociągnąć spust przełącznika. W celu zatrzymania wystarczy zwolnić spust przełącznika.

► **Rys.14:** 1. Spust przełącznika 2. Przycisk blokady włączenia

**UWAGA:** Nie ciągnąć na siłę spustu przełącznika bez wcześniejszego wciśnięcia przycisku blokady. Można w ten sposób połamać przełącznik.

## Hamulec elektryczny

Narzędzie jest wyposażone w elektryczny hamulec tarczy. Jeśli piła tarczowa narzędzia często nie zatrzymuje się szybko po zwolnieniu dźwigni przełącznika, należy zlecić naprawę narzędzia serwisowi firmy Makita.

**⚠ PRZESTROGA:** Układ hamulca tarczy nie zastępuje osłony tarczy. NIGDY NIE UŻYWAĆ NARZĘDZIA BEZ SPRAWNEJ OSŁONY TARCZY. MOGŁOBY TO SPOWODOWAĆ POWAŻNE OBRAŻENIA CIAŁA.

## Funkcja regulacji elektronicznej

Narzędzia wyposażone w funkcję regulacji elektronicznej są łatwe w obsłudze ze względu na przedstawione poniżej cechy.

### Funkcja łagodnego rozruchu

Łagodny rozruch zapewnia tłumienie wstrząsu występującego podczas uruchamiania.

## MONTAŻ

**⚠ PRZESTROGA:** Przed przystąpieniem do prac konserwacyjnych przy narzędziu upewnić się, że jest ono wyłączone, a akumulator został wyjęty.

## Miejsce na klucz uchylny

Klucz uchylny, gdy nie jest używany, należy przechowywać w sposób pokazany na rysunku, aby się nie zgubił.

► **Rys.15:** 1. Klucz uchylny

## Zdejmowanie i zakładanie piły tarczowej

**⚠ PRZESTROGA:** Piłę tarczową należy zakładać w taki sposób, aby zęby znajdujące się w przedniej części narzędzia były skierowane ku górze.

**⚠ PRZESTROGA:** Do zakładania i zdejmowania piły tarczowej należy używać wyłącznie klucza uchylnego firmy Makita.

W celu zdjęcia piły tarczowej należy nacisnąć do oporu blokadę wałka, aby piła tarczowa nie mogła się obracać, i poluzować kluczem uchylnym śrubę imbusową. Następnie wyjąć śrubę imbusową, kołnierz zewnętrzny, piłę tarczową oraz pierścien (w zależności od kraju).

► **Rys.16:** 1. Blokada wałka 2. Klucz uchylny 3. Odkręcanie 4. Dokręcanie

### Narzędzia bez pierścienia

► **Rys.17:** 1. Śruba imbusowa 2. Zewnętrzny kołnierz 3. Piła tarczowa 4. Strzałka na pile tarczowej 5. Wewnętrzny kołnierz 6. Strzałka na narzędziu

### Narzędzia z pierścieniem

► **Rys.18:** 1. Śruba imbusowa 2. Zewnętrzny kołnierz 3. Piła tarczowa 4. Strzałka na pile tarczowej 5. Pierścien 6. Wewnętrzny kołnierz 7. Strzałka na narzędziu

Aby założyć piłę tarczową, należy wykonać czynności procedury zdejmowania w odwrotnej kolejności. Wyrównać kierunek wskazywany przez strzałkę na piłę tarczową ze strzałką na narzędziu.

## Narzędzia z kołnierzem wewnętrznym dla tarcz tnących z otworem o średnicy innej 15,88 mm

Kołnierz wewnętrzny ma występ o pewnej średnicy z jednej strony oraz występ o innej średnicy z drugiej strony. Należy wybrać prawidłową stronę występu, która będzie pasowała idealnie do otworu w piłę tarczową. Zamontować kołnierz wewnętrzny na wałku mocowania, tak aby prawidłowa strona z występem kołnierza wewnętrznego była skierowana na zewnątrz, po czym założyć piłę tarczową i kołnierz zewnętrzny.

► **Rys.19:** 1. Wałek mocowania 2. Wewnętrzny kołnierz 3. Piła tarczowa 4. Zewnętrzny kołnierz 5. Śruba imbusowa

**⚠ OSTRZEŻENIE:** MOCNO DOKRĘCIĆ ŚRUBĘ IMBUSOWĄ W LEWO. Uważać, aby nie dokręcać śruby zbyt mocno. Ześlizgnięcie się ręki z klucza sześciokątnego może spowodować obrażenia ciała.

**⚠ OSTRZEŻENIE:** Upewnić się, że występ „a” na kołnierzu wewnętrznym ustawiony na zewnątrz pasuje idealnie do otworu „a” w tarczy tnącej. Montaż piły tarczowej po niewłaściwej stronie może spowodować niebezpieczne wibracje.

## Narzędzia z kołnierzem wewnętrznym dla tarcz tnących z otworem o średnicy 15,88 mm (w zależności od kraju)

Zamocować kołnierz wewnętrzny na wałku mocowania stroną z wewnętrznym wgłębieniem skierowanym na zewnątrz, a następnie założyć tarczę tnącą (z zamocowanym pierścieniem, w razie potrzeby), kołnierz zewnętrzny i wkręcić śrubę sześciokątną.

### Narzędzia bez pierścienia

► **Rys.20:** 1. Wałek mocowania 2. Wewnętrzny kołnierz 3. Piła tarczowa 4. Zewnętrzny kołnierz 5. Śruba imbusowa

### Narzędzia z pierścieniem

► **Rys.21:** 1. Wałek mocowania 2. Wewnętrzny kołnierz 3. Piła tarczowa 4. Zewnętrzny kołnierz 5. Śruba imbusowa 6. Pierścień

**⚠ OSTRZEŻENIE:** MOCNO DOKRĘCIĆ ŚRUBĘ IMBUSOWĄ W LEWO. Uważać, aby nie dokręcać śruby zbyt mocno. Ześlizgnięcie się ręki z klucza sześciokątnego może spowodować obrażenia ciała.

**⚠ OSTRZEŻENIE:** Jeśli do zamocowania piły tarczowej na wrzeciono potrzebny jest pierścień, zawsze upewnij się, czy pomiędzy kołnierzem wewnętrznym i zewnętrznym znajduje się prawidłowy pierścień dopasowany do otworu piły, która ma zostać użyta. Użycie pierścienia o niewłaściwym otworze może skutkować nieprawidłowym zamocowaniem piły tarczowej, powodując jej ruch oraz silne drgania, co może doprowadzić do utraty kontroli podczas pracy oraz poważnych obrażeń ciała.

## Czyszczenie osłony tarczy

W przypadku wymiany piły tarczowej należy koniecznie oczyścić górną i dolną osłonę tarczy z nagromadzonych trocin, zgodnie z opisem w rozdziale dotyczącym konserwacji. Czynność ta nie zastępuje konieczności każdorazowego sprawdzania poprawności działania dolnej osłony przed użyciem narzędzia.

## Zakładanie uchwytu bocznego (rękojeści)

**⚠ PRZESTROGA:** Przed uruchomieniem należy zawsze sprawdzić, czy uchwyt boczny jest dobrze zamontowany.

**⚠ PRZESTROGA:** Podczas cięcia pod kątem w pionie zdjąć uchwyt boczny (rękojeść). W przypadku cięcia pod kątem w pionie z założonym uchwytem bocznym (rękojeścią) może on dotknąć obrabianego elementu lub ciała operatora i spowodować odrzut lub doprowadzić do obrażeń ciała.

**⚠ PRZESTROGA:** Należy zachować ostrożność, aby nie uderzyć palcami o uchwyt boczny (rękojeść) podczas otwierania/zamykania osłony dolnej.

Uchwyt boczny (rękojeść) przydaje się podczas składania i przenoszenia narzędzia.

Aby założyć uchwyt boczny (rękojeść), należy przykręcić go dokładnie w wymaganym miejscu na narzędziu, jak pokazano na rysunku.

► **Rys.22:** 1. Uchwyt boczny (rękojeść)

## Podłączenie odkurzacza

### Aksesoria opcjonalne

**⚠ PRZESTROGA:** Należy zachować ostrożność, aby wąż nie zaczepił o obrabiany element. Może to spowodować poważne obrażenia ciała na skutek odrzutu.

**WSKAZÓWKA:** Aby nie zgubić gumowej nasadki, należy ją przechowywać w przedniej części narzędzia.

**WSKAZÓWKA:** Kiedy odkurzacz nie jest używany, należy gumową nasadkę na króciec odpylania.

Zdjąć gumową nasadkę z króćca odpylania i przyłączyć wąż odkurzacza, jak pokazano na ilustracji.

► **Rys.23:** 1. Nasadka gumowa

Przyłączyć odkurzacz Makita do narzędzia.

► **Rys.24:** 1. Nasadka gumowa 2. Odkurzacz 3. Wąż 4. Króciec odpylania

## OBSŁUGA

To narzędzie jest przeznaczone wyłącznie do cięcia wyrobów drewnianych.

Informacje na temat odpowiednich pił tarczowych do cięcia danego materiału można uzyskać, odwiedzając naszą witrynę internetową lub kontaktując się z lokalnym przedstawicielem firmy Makita.

## Kontrola działania osłony tarczy

Ustawić kąt cięcia w pionie na 0°, następnie ręcznie cofnąć dolną osłonę do oporu i puścić. Dolna osłona działa prawidłowo, jeśli:

- możliwe jest jej wycofanie ponad podstawę bez żadnych przeszkód oraz
- automatycznie powraca na miejsce do momentu zetknięcia z ogranicznikiem.

► **Rys.25:** 1. Górna osłona 2. Dolna osłona  
3. Podstawa 4. Ogranicznik 5. Otwieranie  
6. Zamykanie

Jeśli dolna osłona nie działa prawidłowo, należy sprawdzić, czy wewnątrz dolnej lub górnej osłony nie nagromadził się pył. Jeśli dolna osłona nie działa prawidłowo nawet po usunięciu pyłu należy oddać narzędzie do serwisu Makita w celu naprawy.

**PRZESTROGA:** Podczas cięcia należy nosić maskę przeciwpyłową.

**PRZESTROGA:** Narzędzie należy prowadzić spokojnie wzdłuż linii prostej. Stosowanie nadmiernej siły lub zmiana kierunku prowadzenia narzędzia spowodują przegrzanie silnika i wystąpienia niebezpiecznego odrzutu, który może być przyczyną poważnych obrażeń ciała.

**WSKAZÓWKA:** Jeśli temperatura akumulatora jest niska, narzędzie może nie uzyskać pełnej wydajności. W takim przypadku należy przez pewien czas wykonywać cięcia niewymagające dużej mocy, aż akumulator osiągnie temperaturę pokojową. Po tym czasie narzędzie może pracować z maksymalną wydajnością.

► **Rys.26**

Narzędzie należy trzymać mocno i pewnie. Narzędzie jest wyposażone w przednią rączkę i tylny uchwyt. Należy używać obu wspomnianych elementów, aby zapewnić pewny chwyt. Jeśli obie dłonie trzymają pilarkę, nie mogą zostać przecięte przez piłę tarczową. Ustawić podstawę narzędzia na elemencie do cięcia w taki sposób, aby piła tarczowa nie stykała się z nim. Następnie włączyć narzędzie i odczekać, aż piła tarczowa uzyska pełną prędkość. Teraz po prostu przesuwać narzędzie w przód po powierzchni elementu obrabianego, utrzymując je w poziomie i płynnie poruszając nim aż do zakończenia cięcia.

Aby uzyskać gładkie rzaży, należy ciąć w linii prostej i utrzymywać stałą prędkość posuwu. Jeśli narzędzie zboczy z zamierzonej linii cięcia, nie próbować skręcać narzędziem ani wracać do niej na siłę. Może to spowodować zablokowanie piły tarczowej i niebezpieczny odrzut, który grozi poważnymi obrażeniami ciała. Zwołnicz przełącznik, odczekać, aż piła tarczowa zatrzyma się, a następnie wycofać narzędzie. Ustawić narzędzie wzdłuż nowej linii cięcia i rozpocząć cięcie na nowo. Należy unikać pozycji, w której operator jest narażony na wióry i trociny wyrzucane przez pilarkę. Używać okularów ochronnych, aby zmniejszyć ryzyko obrażeń.

## Zaczep

**PRZESTROGA:** Przed zawieszeniem narzędzia za zaczep należy koniecznie wyjąć akumulator.

**PRZESTROGA:** Nie wolno wieszać narzędzia wysoko ani na niestabilnych powierzchniach, z których może ono spaść. W przeciwnym razie narzędzie może spaść i spowodować poważne obrażenia.

**PRZESTROGA:** Gdy narzędzie jest zawieszona, nie należy go pociągać w dół.

**PRZESTROGA:** Części do wieszania/części mocujących należy używać tylko zgodnie z ich przeznaczeniem. Użycie niezgodne z przeznaczeniem może doprowadzić do wypadku lub uszkodzeń ciała.

**PRZESTROGA:** Nigdy nie zaczepiać narzędzia, jeśli zaczep jest uszkodzony. W przeciwnym razie narzędzie może spaść i spowodować poważne obrażenia.

Zaczep jest przydatny, aby na chwilę zawiesić narzędzie. Aby użyć zaczepu, należy po prostu unieść go w górę i przestawić w pozycję otwartą.

Gdy zaczep nie jest używany, zawsze należy go opuścić i przestawić w pozycję zamkniętą.

► **Rys.27:** 1. Zaczep 2. Pozycja otwarta 3. Pozycja zamknięta

► **Rys.28**

## Prowadnica wzdłużna

### Akcesoria opcjonalne

Poręczna prowadnica wzdłużna pozwala wykonywać wyjątkowo dokładne cięcia proste. Wystarczy tylko dobrze docisnąć prowadnicę do krawędzi obrabianego elementu i zablokować ją w odpowiednim położeniu za pomocą śruby z przodu podstawy. Umożliwia ona również wykonywanie powtarzalnych cięć o tej samej szerokości.

► **Rys.29:** 1. Prowadnica wzdłużna 2. Śruba zaciskowa

## FUNKCJA AKTYWACJI BEZPRZEWODOWEJ

### Co umożliwia funkcja aktywacji bezprzewodowej

Funkcja aktywacji bezprzewodowej pozwala na czystą i komfortową pracę. Poprzez podłączenie do narzędzia obsługiwanego odkurzacza można automatycznie uruchomić odkurzacz, który będzie włączał się wraz z przełącznikiem z narzędzia.

► **Rys.30**

Aby użyć funkcji aktywacji bezprzewodowej, należy przygotować następujące elementy:

- Złącze bezprzewodowe (Akcesoria opcjonalne)
- Odkurzacz, który obsługuje funkcję aktywacji bezprzewodowej

Następujące informacje dotyczą ustawienia funkcji aktywacji bezprzewodowej. Aby dowiedzieć się więcej na temat szczególnych procedur, należy zapoznać się z każdą sekcją.

1. Instalacja złącza bezprzewodowego
2. Rejestracja narzędzia w celu używania odkurzacza
3. Uruchamianie funkcji aktywacji bezprzewodowej

## Instalacja złącza bezprzewodowego

### Akcesoria opcjonalne

**⚠ PRZESTROGA:** Podczas montażu złącza bezprzewodowego umieścić narzędzie na płaskiej i stabilnej powierzchni.

**UWAGA:** Przed rozpoczęciem montażu złącza bezprzewodowego oczyścić narzędzie z pyłu i zabrudzeń. Pył lub zabrudzenia mogą spowodować usterkę w przypadku przedostania się do gniazda złącza bezprzewodowego.

**UWAGA:** Aby zapobiec usterce spowodowanej przez ładunek elektrostatyczny, dotknąć materiału odprowadzającego wyładowania elektrostatyczne, takiego jak metalowa część narzędzia, przed podniesieniem złącza bezprzewodowego.

**UWAGA:** Podczas montażu złącza bezprzewodowego należy zawsze upewnić się, że złącze bezprzewodowe zostanie włożone w odpowiednim kierunku, a pokrywa całkowicie zamknięta.

1. Otworzyć pokrywę na narzędziu tak, jak pokazano na ilustracji.
- **Rys.31:** 1. Pokrywa

2. Włożyć złącze bezprzewodowe do gniazda, a następnie zamknąć pokrywę.

Podczas wkładania złącza bezprzewodowego wyrównać wypusty z wgłębieniami w gnieździe.

- **Rys.32:** 1. Złącze bezprzewodowe 2. Występ 3. Pokrywa 4. Wgłębienie

Podczas wyjmowania złącza bezprzewodowego powoli otworzyć pokrywę. Zaczepy na tylnej części pokrywy podniosą złącze bezprzewodowe podczas zdejmowania pokrywy.

- **Rys.33:** 1. Złącze bezprzewodowe 2. Zaczep 3. Pokrywa

Po demontażu złącza bezprzewodowego umieścić je w dołączonej obudowie lub antystatycznym pojemniku.

**UWAGA:** Należy zawsze korzystać z zaczepów na tylnej części pokrywy podczas demontażu złącza bezprzewodowego. Jeśli zaczepy nie chwycą złącza bezprzewodowego, należy całkowicie zamknąć pokrywę i powoli otworzyć ją ponownie.

## Rejestracja narzędzia w celu używania odkurzacza

**WSKAZÓWKA:** Odkurzacze firmy Makita obsługujące funkcję aktywacji bezprzewodowej jest wymagany do rejestracji narzędzia.

**WSKAZÓWKA:** Zakończyć montaż złącza bezprzewodowego w narzędziu przed rozpoczęciem rejestracji narzędzia.

**WSKAZÓWKA:** Podczas rejestracji narzędzia nie naciskać spustu przełącznika ani przycisku zasilania na odkurzaczu.

**WSKAZÓWKA:** Należy również zapoznać się z instrukcją obsługi odkurzacza.

Jeśli odkurzacze ma zostać aktywowany wraz z przełącznikiem narzędzia, należy najpierw zakończyć rejestrację narzędzia.

1. Zamontować akumulatory w odkurzaczu i narzędziu.
2. Ustawić przełącznik gotowości na odkurzaczu w położeniu „AUTO”.  
► **Rys.34:** 1. Przełącznik gotowości
3. Nacisnąć i przytrzymać przez 3 sekundy przycisk aktywacji bezprzewodowej na odkurzaczu, aż do momentu, w którym kontrolka aktywacji bezprzewodowej zacznie migać na zielono. Następnie nacisnąć przycisk aktywacji bezprzewodowej na narzędziu w taki sam sposób.  
► **Rys.35:** 1. Przycisk aktywacji bezprzewodowej 2. Kontrolka aktywacji bezprzewodowej

Jeśli odkurzacze i narzędzie zostały pomyślnie sparowane, kontrolki aktywacji bezprzewodowej będą migać na zielono przez 2 sekundy, a następnie zaczną migać na niebiesko.

**WSKAZÓWKA:** Kontrolki aktywacji bezprzewodowej przestaną migać na zielono po 20 sekundach. Nacisnąć przycisk aktywacji bezprzewodowej na narzędziu, gdy funkcja aktywacji bezprzewodowej na odkurzaczu miga. Jeśli kontrolka aktywacji bezprzewodowej nie miga na zielono, nacisnąć na krótko przycisk aktywacji bezprzewodowej i przytrzymać go ponownie.

**WSKAZÓWKA:** Podczas przeprowadzania rejestracji dwóch lub więcej narzędzi do jednego odkurzacza należy zakończyć rejestrację danego narzędzia w odpowiedniej kolejności.

## Uruchamianie funkcji aktywacji bezprzewodowej

**WSKAZÓWKA:** Zakończyć rejestrację narzędzia do odkurzacza przed aktywacją bezprzewodową.

**WSKAZÓWKA:** Należy również zapoznać się z instrukcją obsługi odkurzacza.

Po zarejestrowaniu narzędzia do odkurzacza, urządzenie to będzie automatycznie działać wraz z przełącznikiem narzędzia.

1. Zamontować złącze bezprzewodowe w narzędziu.
2. Podłączyć wąż odkurzacza do narzędzia.  
► **Rys.36**

3. Ustawić przełącznik gotowości na odkurzaczu w położeniu „AUTO”.

► **Rys.37:** 1. Przełącznik gotowości

4. Krótko nacisnąć przycisk aktywacji bezprzewodowej na narzędziu. Kontrolka aktywacji bezprzewodowej będzie migać na niebiesko.

► **Rys.38:** 1. Przycisk aktywacji bezprzewodowej  
2. Kontrolka aktywacji bezprzewodowej

5. Nacisnąć spust przełącznika narzędzia.

Sprawdzić, czy odkurzacz pracuje, gdy spust przełącznika jest naciśnięty.

Aby wstrzymać funkcję aktywacji bezprzewodowej odkurzacza, nacisnąć przycisk aktywacji bezprzewodowej na narzędziu.

**WSKAZÓWKA:** Kontrolka aktywacji bezprzewodowej na narzędziu przestanie migać na niebiesko w przypadku beczynności przez 2 godziny. W takim przypadku należy ustawić przełącznik gotowości na odkurzaczu w położeniu „AUTO” i ponownie nacisnąć przycisk aktywacji bezprzewodowej na narzędziu.

**WSKAZÓWKA:** Odkurzacz uruchomi/wyłączy się z opóźnieniem. W przypadku wykrycia działania przełącznika narzędzia przez odkurzacz występuje opóźnienie.









**WSKAZÓWKA:** Zasięg łączności złącza bezprzewodowego może się różnić w zależności od lokalizacji i warunków otoczenia.

**WSKAZÓWKA:** W przypadku zarejestrowania dwóch lub więcej narzędzi do jednego odkurzacza, urządzenie może uruchomić się, nawet jeśli spust przełącznika nie zostanie naciśnięty, ponieważ inny użytkownik korzysta z funkcji aktywacji bezprzewodowej.

## Opis stanu kontrolki aktywacji bezprzewodowej

► **Rys.39:** 1. Kontrolka aktywacji bezprzewodowej

Kontrolka aktywacji bezprzewodowej przedstawia stan funkcji aktywacji bezprzewodowej. Aby dowiedzieć się więcej na temat znaczenia stanu kontrolki, należy zapoznać się z poniższą tabelą.

Stan	Kontrolka aktywacji bezprzewodowej				Opis
	Kolor	 Wł.	 Miga	Czas trwania	
Czuwanie	Niebieska			2 godziny	Aktywacja bezprzewodowa odkurzacza jest dostępna. Kontrolka wyłączy się automatycznie w przypadku beczynności przez 2 godziny.
				Gdy narzędzie jest uruchomione.	Aktywacja bezprzewodowa odkurzacza jest dostępna, a narzędzie uruchomione.
Rejestracja narzędzia	Zielona			20 sekund	Gotowość do rejestracji narzędzia. Oczekiwanie na zarejestrowanie przez odkurzacz.
				2 sekund	Rejestracja narzędzia została zakończona. Kontrolka aktywacji bezprzewodowej zacznie migać na niebiesko.
Anulowanie rejestracji narzędzia	Czerwona			20 sekund	Gotowość do anulowania rejestracji narzędzia. Oczekiwanie na anulowanie przez odkurzacz.
				2 sekund	Anulowanie rejestracji narzędzia zostało zakończone. Kontrolka aktywacji bezprzewodowej zacznie migać na niebiesko.
Inne	Czerwona			3 sekund	Zasilanie jest dostarczane do złącza bezprzewodowego, a funkcja aktywacji bezprzewodowej uruchamiana.
	Wyl.		-	-	Aktywacja bezprzewodowa odkurzacza została zatrzymana.

## Anulowanie rejestracji narzędzia do odkurzacza

Podczas anulowania rejestracji narzędzia do odkurzacza należy wykonać następującą procedurę.

1. Zamontować akumulatory w odkurzaczu i narzędziu.

2. Ustawić przełącznik gotowości na odkurzaczu w położeniu „AUTO”.

► **Rys.40:** 1. Przełącznik gotowości

3. Nacisnąć i przytrzymać przez 6 sekund przycisk aktywacji bezprzewodowej na odkurzaczu. Kontrolka aktywacji bezprzewodowej miga na zielono, a później na czerwono. Następnie nacisnąć przycisk aktywacji bezprzewodowej na narzędziu w taki sam sposób.

► **Rys.41:** 1. Przycisk aktywacji bezprzewodowej  
2. Kontrolka aktywacji bezprzewodowej

Jeśli anulowanie zostanie zakończone pomyślnie, kontrolki aktywacji bezprzewodowej będą migać na zielono przez 2 sekundy, a następnie zaczną migać na niebiesko.

**WSKAZÓWKA:** Kontrolki aktywacji bezprzewodowej przestaną migać na czerwono po 20 sekundach. Nacisnąć przycisk aktywacji bezprzewodowej na narzędziu, gdy funkcja aktywacji bezprzewodowej na odkurzaczu miga. Jeśli kontrolka aktywacji bezprzewodowej nie miga na czerwono, nacisnąć na krótko przycisk aktywacji bezprzewodowej i przytrzymać go ponownie.



## Rozwiązywanie problemów związanych z funkcją aktywacji bezprzewodowej

Przed oddaniem urządzenia do naprawy należy najpierw przeprowadzić samodzielną kontrolę. W razie napotkania problemu, który nie został wyjaśniony w instrukcji, nie należy próbować demontować urządzenia we własnym zakresie. Należy natomiast zlecić naprawę w autoryzowanym punkcie serwisowym firmy Makita; zawsze z użyciem oryginalnych części zamiennych Makita.

Nieprawidłowe działanie	Prawdopodobna przyczyna (usterka)	Rozwiązanie
Kontrolka aktywacji bezprzewodowej nie świeci/miga.	Złącze bezprzewodowe nie zostało zamontowane w narzędziu. Złącze bezprzewodowe zostało niepoprawnie zamontowane w narzędziu.	Należy poprawnie zamontować złącze bezprzewodowe.
	Zacisk złącza bezprzewodowego i/lub gniazdo jest zabrudzone.	Delikatnie zetrzeć pył i zabrudzenia z zacisku złącza bezprzewodowego i oczyścić gniazdo.
	Przycisk aktywacji bezprzewodowej na narzędziu nie został naciśnięty.	Krótko nacisnąć przycisk aktywacji bezprzewodowej na narzędziu.
	Przełącznik gotowości na odkurzaczu nie znajduje się w położeniu „AUTO”.	Ustawić przełącznik gotowości na odkurzaczu w położeniu „AUTO”.
	Brak zasilania	Podłączyć narzędzia i odkurzacza do zasilania.
Nie można pomyślnie zakończyć rejestracji narzędzia/anulowania rejestracji narzędzia.	Złącze bezprzewodowe nie zostało zamontowane w narzędziu. Złącze bezprzewodowe zostało niepoprawnie zamontowane w narzędziu.	Należy poprawnie zamontować złącze bezprzewodowe.
	Zacisk złącza bezprzewodowego i/lub gniazdo jest zabrudzone.	Delikatnie zetrzeć pył i zabrudzenia z zacisku złącza bezprzewodowego i oczyścić gniazdo.
	Przełącznik gotowości na odkurzaczu nie znajduje się w położeniu „AUTO”.	Ustawić przełącznik gotowości na odkurzaczu w położeniu „AUTO”.
	Brak zasilania	Podłączyć narzędzia i odkurzacza do zasilania.
	Nieprawidłowe działanie	Krótko nacisnąć przycisk aktywacji bezprzewodowej i ponownie wykonać procedurę rejestracji narzędzia/anulowania rejestracji narzędzia.
	Narzędzie i odkurzacza znajdują się w zbyt dużej odległości od siebie (poza zasięgiem łączności).	Zbliżyć narzędzie i odkurzacza do siebie. Maksymalny zasięg łączności wynosi około 10 m, lecz może się różnić w zależności od panujących warunków.
	Przed zakończeniem rejestracji narzędzia/anulowania; – spust przełącznika jest naciśnięty lub; – przycisk zasilania na odkurzaczu znajduje się w położeniu włączenia.	Krótko nacisnąć przycisk aktywacji bezprzewodowej i ponownie wykonać procedurę rejestracji narzędzia/anulowania rejestracji narzędzia.
	Procedury rejestracji narzędzia dotyczące narzędzia lub odkurzacza nie zostały zakończone.	Wykonać jednocześnie procedury związane z rejestracją narzędzia dotyczące narzędzia i odkurzacza.
Zakłócenia radiowe spowodowane przez inne urządzenia, które generują fale radiowe o wysokiej częstotliwości.	Trzymać narzędzie i odkurzacza z dala od urządzeń, takich jak urządzenia Wi-Fi i kuchenki mikrofalowe.	

Nieprawidłowe działanie	Prawdopodobna przyczyna (usterka)	Rozwiązanie
Odkurzacz nie działa wraz z przełącznikiem narzędzia.	Złącze bezprzewodowe nie zostało zamontowane w narzędziu. Złącze bezprzewodowe zostało niepoprawnie zamontowane w narzędziu.	Należy poprawnie zamontować złącze bezprzewodowe.
	Zacisk złącza bezprzewodowego i/lub gniazdo jest zabrudzone.	Delikatnie zetrzeć pył i zabrudzenia z zacisku złącza bezprzewodowego i oczyścić gniazdo.
	Przycisk aktywacji bezprzewodowej na narzędziu nie został naciśnięty.	Krótko nacisnąć przycisk aktywacji bezprzewodowej i upewnić się, że kontrolka aktywacji bezprzewodowej miga na niebiesko.
	Przełącznik gotowości na odkurzaczu nie znajduje się w położeniu „AUTO”.	Ustawić przełącznik gotowości na odkurzaczu w położeniu „AUTO”.
	Zarejestrowano ponad 10 narzędzi do odkurzacza.	Ponownie wykonać rejestrację narzędzia. W przypadku zarejestrowania ponad 10 narzędzi do odkurzacza narzędzie zarejestrowane najwcześniej zostanie automatycznie anulowane.
	Odkurzacz usunął wszystkie rejestracje narzędzi.	Ponownie wykonać rejestrację narzędzia.
	Brak zasilania	Podłączyć narzędzia i odkurzacz do zasilania.
	Narzędzie i odkurzacz znajdują się w zbyt dużej odległości od siebie (poza zasięgiem łączności).	Zbliżyć narzędzie i odkurzacz do siebie. Maksymalny zasięg łączności wynosi około 10 m, lecz może się różnić w zależności od panujących warunków.
Zakłócenia radiowe spowodowane przez inne urządzenia, które generują fale radiowe o wysokiej częstotliwości.	Trzymać narzędzie i odkurzacz z dala od urządzeń, takich jak urządzenia Wi-Fi i kuchenki mikrofalowe.	
Odkurzacz pracuje, gdy spust przełącznika narzędzia nie jest naciśnięty.	Inni użytkownicy korzystają z funkcji aktywacji bezprzewodowej przy użyciu narzędzi.	Ustawić przycisk aktywacji bezprzewodowej innych narzędzi w położeniu wyłączenia lub anulować rejestrację innych narzędzi.

## KONSERWACJA

**⚠ PRZESTROGA:** Przed przystąpieniem do przeglądu narzędzia lub jego konserwacji upewnić się, że jest ono wyładowane, a akumulator wyjęty.

**⚠ PRZESTROGA:** Oczyszczyć górną i dolną osłonę, aby upewnić się, że nie nagromadziły się na niej żadne trociny, które mogłyby wpłynąć na nieprawidłowe działanie dolnej osłony. Zabrudzona osłona może ograniczać właściwe działanie, co może prowadzić do poważnych obrażeń ciała. Najbardziej skutecznym sposobem czyszczenia jest użycie sprężonego powietrza. **W przypadku gdy pył jest wydmuchiwany poza osłony należy zastosować odpowiednie środki ochrony oczu i układu oddechowego.**

**⚠ PRZESTROGA:** Po każdym użyciu wytrzeć narzędzie z pyłu. Drobny pył może przedostać się do wnętrza narzędzia i spowodować jego nieprawidłowe działanie lub zapłon.

**UWAGA:** Nie stosować benzyny, rozpuszczalników, alkoholu itp. środków. Mogą one powodować odbarwienia, odkształcenia lub pęknięcia.

W celu zachowania odpowiedniego poziomu BEZPIECZEŃSTWA i NIEZAWODNOŚCI produktu wszelkie naprawy i różnego rodzaju prace konserwacyjne lub regulacje powinny być przeprowadzane przez autoryzowany lub fabryczny punkt serwisowy narzędzi Makita, zawsze z użyciem oryginalnych części zamiennych Makita.

## Regulacja dokładności położenia 0°

Ta regulacja została przeprowadzona fabrycznie. Jeśli jednak regulacja jest konieczna, należy wykonać następującą procedurę.

1. Lekko poluzować dźwignię na płycie z podziałką kąta cięcia.
2. Ustawić podstawę prostopadłe do tarczy za pomocą ekierki lub kątownika, obracając śrubę regulacyjną.
 

► **Rys.42:** 1. Ekierka 2. Śruba regulacyjna
3. Docisnąć dźwignię i wykonać cięcie próbne, aby sprawdzić ustawienie w pionie.

## AKCESORIA OPCJONALNE

**⚠ PRZESTROGA:** Zaleca się stosowanie wymiennych akcesoriów i przystawek razem z narzędziem Makita opisanym w niniejszej instrukcji. Stosowanie innych akcesoriów lub przystawek może być przyczyną obrażeń ciała. Akcesoria lub przystawki należy wykorzystywać tylko zgodnie z ich przeznaczeniem.

W razie potrzeby wszelkiej pomocy i szczegółowych informacji na temat niniejszych akcesoriów udzieli Państwu lokalne punkty serwisowe Makita.

- Pila tarczowa
- Klucz uchylny
- Prowadnica wzdłużna
- Oryginalny akumulator i ładowarka firmy Makita

**WSKAZÓWKI:** Niektóre pozycje znajdujące się na liście mogą być dołączone do pakietu narzędziowego jako akcesoria standardowe. Mogą to być różne pozycje, w zależności od kraju.



## RÉSZLETES LEÍRÁS

<b>Típus:</b>		<b>RS002G</b>
Fűrészlap átmérője		260 mm
Max. vágási mélység	0°-nál	95,0 mm
	45°-os döntésnél	70,0 mm
	56°-os döntésnél	54,5 mm
Üresjárat fordulatszám		4 000 min <sup>-1</sup>
Teljes hossz		489 mm
Névleges feszültség		36 V - 40 V max., egyenáram
Tiszta tömeg		5,7 - 6,3 kg

- Folyamatos kutató- és fejlesztőprogramunk eredményeként az itt felsorolt tulajdonságok figyelmeztetés nélkül megváltozhatnak.
- A tulajdonságok országról országra különbözhetnek.
- A súly a felszerelt tartozékoktól függően változhat, az akkumulátort is beleértve. Az EPTA 01/2014 eljárás szerint meghatározott legnehezebb, illetve legkönnyebb kombináció a táblázatban látható.

### Alkalmazható akkumulátorok és töltők

Akkumulátor	BL4020 / BL4025 / BL4040 / BL4050F* *: Javasolt akkumulátor
Töltő	DC40RA / DC40RB / DC40RC

- Lakóhelyétől függően előfordulhat, hogy a fent felsorolt akkumulátorok és töltők nem érhetőek el.

**▲ FIGYELMEZTETÉS:** Csak a fentiekben felsorolt akkumulátorokat és töltőket használja. Bármilyen más akkumulátor vagy töltő használata sérüléseket és/vagy tüzet okozhat.

### Rendeltetés

A szerszám hosszirányú és keresztirányú, ferde egyenes- és gérvágások végzésére használható faanyagokban, úgy, hogy közben szorosan érintkezik a munkadarabbal.

### Zaj

A tipikus A-súlyozású zajszint, a EN62841-2-5 szerint meghatározva:

Hangnyomásszint ( $L_{pA}$ ): 96 dB(A)  
Hangteljesítményszint ( $L_{WA}$ ): 107 dB (A)  
Bizonytalanság (K): 3 dB(A)

**MEGJEGYZÉS:** A zajkibocsátás értéke a szabványos vizsgálati eljárásnak megfelelően lett mérve, és segítségével az elektromos kéziszerszámok összehasonlíthatók egymással.

**MEGJEGYZÉS:** A zajkibocsátás értékének segítségével előzetesen megbecsülhető a rezgésnek való kitettség mértéke.

**▲ FIGYELMEZTETÉS:** Viseljen fülvédőt!

**▲ FIGYELMEZTETÉS:** A szerszám zajkibocsátása egy adott alkalmazásnál eltérhet a megadott értéktől a használat módjától, különösen a feldolgozott munkadarab fajtájától függően.

**▲ FIGYELMEZTETÉS:** Határozza meg a kezelő védelmét szolgáló munkavédelmi lépéseket, melyek az adott munkafeltételek melletti vibrációs hatás becslt mértékén alapulnak (figyelembe véve a munkaciklus elemeit, mint például a gép leállításának és üresjáratának mennyiségét az elindítások száma mellett).

### Vibráció

A vibráció teljes értéke (háromtengelyű vektorösszeg) az EN62841-2-5 szerint meghatározva:

Üzem mód: Fa vágása  
Rezgéskibocsátás ( $a_{h,w}$ ): 2,5 m/s<sup>2</sup> vagy kisebb  
Bizonytalanság (K): 1,5 m/s<sup>2</sup>

**MEGJEGYZÉS:** A rezgés teljes értéke a szabványos vizsgálati eljárásnak megfelelően lett mérve, és segítségével az elektromos kéziszerszámok összehasonlíthatók egymással.

**MEGJEGYZÉS:** A rezgés teljes értékének segítségével előzetesen megbecsülhető a rezgésnek való kitettség mértéke.

**▲ FIGYELMEZTETÉS:** A szerszám rezgés kibocsátása egy adott alkalmazásnál elérheti a megadott értéktől a használat módjától, különösen a feldolgozott munkadarab fajtájától függően.

**▲ FIGYELMEZTETÉS:** Határozza meg a kezelő védelmét szolgáló munkavédelmi lépéseket, melyek az adott munkafeltételek melletti vibrációs hatás becsült mértékén alapulnak (figyelembe véve a munkaciklus elemeit, mint például a gép leállításának és üresjáratának mennyiségét és elindítások száma mellett).

## EK Megfelelőségi nyilatkozat

*Csak európai országokra vonatkozóan*

Az EK-megfelelőségi nyilatkozat az útmutató „A” mellékletében található.

## BIZTONSÁGI FIGYELMEZTETÉS

### A szerszámgépekre vonatkozó általános biztonsági figyelmeztetések

**▲ FIGYELMEZTETÉS:** Olvassa el a szerszámgéphez mellékelt összes biztonsági figyelmeztetést, utasítást, illusztrációt és a műszaki adatokat. A következőkben leírt utasítások figyelmen kívül hagyása elektromos áramütést, tüzet és/vagy súlyos sérülést eredményezhet.

## Őrizzen meg minden figyelmeztetést és utasítást a későbbi tájékozódás érdekében.

A figyelmeztetéseken szereplő "szerszámgép" kifejezés az Ön hálózatról (vezetékes) vagy akkumulátorról (vezeték nélküli) működtetett szerszámgépére vonatkozik.

### Az akkumulátoros körfűrészre vonatkozó biztonsági figyelmeztetések

#### Vágási eljárások

- ▲ VESZÉLY:** Tartsa kezét távol a fűrészlaptól és a vágás helyétől. Másik kezét tartsa a segédmarkolaton vagy a motorházon. Ha két kézzel tartja a fűrész, akkor a fűrészlap nem vághatja el a kezét.
- Ne nyúljon a munkadarab alá.** A védőburkolat nem tudja megvédeni Önt a fűrészlaptól a munkadarab alatt.
- Állítsa a vágási mélységet a munkadarab vastagságával megegyező értékre.** A munkadarab alatt a fűrészlapból egy teljes fognál kevesebbnek kell kilátszania.

- Vágás közben soha ne kézben tartsa, és soha ne fektesse az ölébe a munkadarabot. Rögzítse a munkadarabot egy szilárd padozaton.** Nagyon fontos a munkadarab megfelelő alátámasztása, hogy elkerülje a személyi sérüléseket, a fűrészlárcsa meghajlását vagy a gép feletti irányítás elvesztését.

#### ► Ábra1

- Az elektromos szerszámot kizárólag a szigetelt markolási felületeinél fogva tartsa, amikor olyan műveletet végez, melynek során a vágószerszám rejtett vezetékekbe ütközhet.** Feszültség alatt lévő vezetékekkel való érintkezéskor a szerszámgép alkatrészei is feszültség alá kerülnek, és megrázhathják a kezelőt.
- Párhuzamos vágáskor mindig használja a párhuzamvezetőt vagy egy egyenes szélvezetőt.** Ez javítja a vágás pontosságát, és csökkenti a fűrészlap meghajlásának esélyét.
- Mindig csak megfelelő méretű és alakú (gyémánt vagy kerek) tengelyfurattal rendelkező fűrészlárcsákat használjon.** Azok a fűrészlárcsák, amelyek nem illeszkednek a rögzítő alkatrészekhez, forgás közben nem maradnak középen, ami irányíthatatlansághoz vezet.
- Soha ne használjon sérült vagy nem megfelelő alátétet vagy csavart a fűrészlapozhoz.** A fűrészlap alátéteket és a fejescsavart speciálisan ehhez a szerszámhoz tervezték, az optimális teljesítmény és a biztonságos működés biztosítása érdekében.

#### A visszarúgás okai és az ezzel kapcsolatos figyelmeztetések

- a visszarúgás a szerszám hirtelen reakciója beszorult, beakadt vagy rosszul álló fűrészlárcsa esetén, amely az irányíthatatlan szerszám felemelkedését és kilökődését okozza a munkadarabról a kezelő irányába;
- amikor a fűrészlárcsa beszorul vagy beakad az összezáródó fűrészjáratban, a fűrészlárcsa megáll, és a motor reakciója a gépet gyorsan a kezelő irányába lendíti;
- ha a fűrészlap megcsavarodik vagy nem áll megfelelően a vágatban, a fűrészlap fogai és hátsó széle belevájják magát a munkadarab felső felületébe, miáltal a fűrészlap kiugrik a fűrészjáratból és a kezelő felé lendül.

A visszarúgás a szerszám helytelen használatának és/vagy a hibás megmunkálási eljárásnak az eredménye és az alább leírt óvintézkedések betartásával elkerülhető.

- Fogja stabilan a szerszámot mindkét kezével és tartsa úgy a karjait, hogy ellen tudjon állni a visszarúgáskor fellépő erőknél.** Igazítsa a testét a fűrészlap valamelyik oldalára, de ne egy vonalba a fűrészlappal. A visszarúgás a szerszám visszaugrását okozhatja, de a visszarúgáskor fellépő erőket a kezelő leküzdheti, ha a megfelelő óvintézkedéseket betartja.
- Amikor a fűrészlap meghajlott, vagy valamiért meg kell szakítania a vágási műveletet, engedje fel a kioldót és tartsa mozdulatlanul a fűrész az anyagban amíg teljesen meg nem áll. Soha ne próbálja eltávolítani a fűrész a munkadarabból vagy visszahúzni a fűrész amíg a fűrészlap mozgásban van, mert visszarúgás léphet fel.** Figyelje és korrigálja műveletekkel próbálja megelőzni a fűrészlap meghajlását.

3. **Amikor újra bekapcsolja a fűrészt a munkadarabban, állítsa középre a fűrésztárcsát a fűrészfáratban és győződjön meg róla, hogy a fűrészfogak nem kapaszkodnak az anyagba.** Ha a fűrésztárcsa meghajlik, az kijöhet vagy visszarughat a munkadarabból a szerszám újraindításakor.
4. **A nagyméretű falapokat támassza alá, hogy elkerülje a fűrészlappal beszorulását és a visszaruágást.** A nagyméretű falapok meghajolhatnak saját súlyuk alatt. Támasztékot a falap mindkét oldalára kell tenni, a vágóvonal közelébe és a lap szélétől nem messze.

► **Ábra2**

► **Ábra3**

5. **Ne használjon tompa vagy sérült fűrészlappokat!** A nem elég éles vagy rosszul beállított fűrészlapok keskeny fűrészfárat eredményeznek, amely túlzott súrlódáshoz, a fűrészlappal meghajlásához és visszaruágáshoz vezet.
6. **A fűrészlappal mélységének és a ferdevágás szögének beállítására szolgáló reteszlekarokat meg kell húzni és a vágás megkezdése előtt rögzíteni kell.** Ha a fűrészlappal beállítása elmozdul a vágás alatt, akkor a fűrészlappal meghajolhat, ami visszaruágást eredményez.
7. **Különösen figyeljen oda, amikor meglévő falak vagy más beláthatatlan területek vágására használja a szerszámot.** A kiálló fűrészlappal olyan tárgyakba vághat bele, amik visszaruágást okozhatnak.
8. **MINDIG tartsa szilárdan a szerszámot mindkét kezével!** SOHA ne nyújtsa a kezét, lábát, vagy bármilyen más testrészét a szerszám alapeleme alá vagy a fűrészt mögé, különösen ha harántvágást végez! Ha visszaruágás történik, a fűrészt könnyen visszaugorhat a kezén át, komoly sérüléseket okozva.

► **Ábra4**

9. **Soha ne erőltesse a fűrészt!** Olyan sebességgel tolja előre a fűrészt, hogy a fűrészlappal lassulás nélkül vágjon. A fűrészt erőltetése egyenletlen vágásokat, a pontosság csökkenését és esetleg visszaruágást okozhat.

**Fűrészlappalvédő funkció**

1. **Minden használat ellenőrizze, hogy az alsó fűrészlappalvédő megfelelően zár-e.** Ne működtesse a fűrészt, ha az alsó fűrészlappalvédő nem mozog akadálymentesen, és nem zár azonnal. Soha ne rögzítse vagy kösse ki az alsó fűrészlappalvédőt nyitott állásban. Ha a fűrészt véletlenül leesik, akkor az alsó fűrészlappalvédő elhajolhat. Emelje fel az alsó fűrészlappalvédőt a visszahúzó fogantyúval és ellenőrizze, hogy az szabadon mozog, és nem ér a fűrészlaphoz vagy bármely más alkatrészhez, egyik vágási szögénél vagy vágási mélységénél sem.
2. **Ellenőrizze az alsó fűrészlappalvédő rugójának működését.** Ha védő vagy a rugó nem működik megfelelően, azokat használat előtt meg kell javítani. Az alsó fűrészlappalvédő lassan mozoghat sérült alkatrészek, gyantalerakódások vagy hulladék felhalmozódása miatt.

3. **Az alsó fűrészlappalvédőt csak összetett vágásokhoz, mint pl. a „leszúró vágás” és a „kombinált vágás”, lehet kézzel felemelni.** Emelje fel az alsó fűrészlappalvédőt a visszahúzó karral, majd amint a fűrészlappal behatolt az anyagba, az alsó fűrészlappalvédőt el kell engedni. Minden más típusú vágáshoz az alsó védőelemeknek automatikusan kell működni.
4. **Mindig nézze meg, hogy az alsó fűrészlappalvédő befedi a fűrészlappal, mielőtt leteszi a szerszámot az asztalra vagy a padlóra.** A védőtelen, szabadon forgó fűrészlappal miatt a szerszám elmozdulhat, átvágva az útjába kerülő tárgyakat. Ne feledje, hogy a fűrészlappal megállásáig valamennyi idő elteltik a kapcsoló felengedése után.
5. **Az alsó fűrészlappalvédő ellenőrzéséhez kézzel nyissa ki az alsó fűrészlappalvédőt, majd engedje el, és nézze meg, hogy megfelelően záródik-e.** Ellenőrizze azt is, hogy a visszahúzó fogantyú nem érintkezik-e az eszköz motorházával. A fűrészlappal szabadon hagyani NAGYON VESZÉLYES és súlyos személyi sérülést okozhat.

**További biztonsági figyelmeztetések**

1. **Különösen figyeljen oda nedves fa, nyoma alatt ragasztott faanyag vagy görcsös fa vágásakor.** Haladjon egyenletesen előre a szerszámmal, a fűrészlappal sebességének csökkenése nélkül, hogy elkerülje a fűrészlappal fogainak túlmelegedését.
2. **Ne próbálja meg eltávolítani a levágott anyagot, amikor a fűrészlappal még mozog. Várja meg, amíg a fűrészlappal megáll, mielőtt megfogja a levágott darabot.** A fűrészlappal szabadon forog a kikapcsolás után.
3. **Kerülje a szegek átvágását.** A vágás megkezdése előtt ellenőrizze a fatörzset, és húzza ki belőle az összes szeget.
4. **Tegye a fűrészt alapelemének szélesebb részét a munkadarab azon részére, amely stabilan alá van támasztva, ne arra a részre, amelyik leesik a vágás végén.** Ha a munkadarab rövid vagy kicsi, le kell fogatni. **NE PRÓBÁLJA A RÖVID MUNKADARABOKAT KÉZBEN TARTANI!**

► **Ábra5**

5. **Mielőtt leteszi a szerszámot a vágás befejezése után, győződjön meg róla, hogy az alsó fűrészlappalvédő bezáródott és a fűrészlappal teljesen megállt.**
6. **Soha ne próbáljon a körfűrészrel úgy vágni, hogy azt felfordítva befogja egy satuba!** Ez különösen veszélyes és komoly sérülésekhez vezethet.

► **Ábra6**

7. **Egyes anyagok mérgező vegyületet tartalmazhatnak.** Gondoskodjon a por belélegzése elleni és érintés elleni védelemről. Tartsa be az anyag szállítójának biztonsági utasításait.
8. **Ne állítsa meg a tárcsát úgy, hogy oldalirányú nyomást fejt ki a fűrészlappalra.**
9. **Ne használjon köszörűtárcsákat.**

10. Csak a szerszámon jelzett vagy a kézikönyvben megadott átmérőjű fűrészlapokat használja. A nem megfelelő méretű fűrészlap miatt a fűrészlap vagy a védőburkolat nem fogja megfelelően ellátni a funkcióját, ami súlyos személyi sérüléshez is vezethet.
11. A fűrészlapokat tartsa élesen és tisztán. A fűrészlapokra keményedett kátrány és fagyanta lelassítja a fűrészelt és megnöveli a visszarúgás kockázatát. Tartsa tisztán a fűrészlapot úgy, hogy először leszereli azt a szerszámról, majd megtisztítja gyanta és kátrányeltávolítóval, forró vízzel vagy kerozinnal. Soha ne használjon benzint.
12. Viseljen pormaszkot és hallásvédőt a szerszám használatakor.
13. Mindig ahhoz az anyaghoz illő fűrészlárcsát használjon, amelyet vágni tervez.
14. Csak olyan fűrészlárcsákat használjon, amelyek jelzett fordulatszáma megegyezik a szerszámon jelzett fordulatszámával, vagy nagyobb annál.
15. (Csak európai országokra vonatkozóan) Mindig az EN847-1 szabványnak megfelelő lárcsát használjon.
16. Helyezze a szerszámot és az alkatrészeket egy sima és stabil felületre. Ellenkező esetben a szerszám vagy az alkatrészek leeshetnek, és sérülést okozhatnak.

## ŐRIZZE MEG EZEKET AZ UTASÍTÁSOKAT.

**▲ FIGYELMEZTETÉS: NE HAGYJA,** hogy (a termék többszöri használatából eredő) kényelem és megszokás váltsa fel a termék biztonsági előírásainak szigorú betartását. A **HELYTELEN HASZNÁLAT** és a használati útmutatóban szereplő biztonsági előírások megszegése súlyos személyi sérülésekhez vezethet.

### Fontos biztonsági utasítások az akkumulátorra vonatkozóan

1. Az akkumulátor használata előtt tanulmányozza át az akkumulátortöltőn (1), az akkumulátoron (2) és az akkumulátorral működtetett terméken (3) olvasható összes utasítást és figyelmeztető jelzést.
2. Ne szerelje szét, és ne módosítsa az akkumulátort. Tűzet, túlzott hőt vagy robbanást okozhat.
3. Ha a működési idő nagyon lerövidült, azonnal hagyja abba a használatot. Ez a túlmelegedés, esetleges égések és akár robbanás veszélyével is járhat.
4. Ha elektrolit kerül a szemébe, mossa ki azt tiszta vízzel és azonnal kérjen orvosi segítséget. Ez a látásának elvesztését okozhatja.
5. Ne zárja rövidre az akkumulátort:
  - (1) Ne érjen az érintkezőkhöz elektromosan vezető anyagokkal.
  - (2) Ne tárolja az akkumulátort más fémtárgyakkal, mint pl. szegekkel, érmekkel, stb. egy helyen.
  - (3) Ne tegye ki az akkumulátort víznek vagy esőnek.

Az akkumulátor rövidzárlata nagy áramerősséget, túlmelegedést, égéseket, sőt akár meghibásodást is okozhat.

6. Ne tárolja és használja a szerszámot vagy az akkumulátort olyan helyen, ahol a hőmérséklet elérheti vagy meghaladhatja az 50 °C-t (122 °F).
7. Ne égesse el az akkumulátort még akkor sem, ha az komolyan megsérült vagy teljesen elhasználódott. Az akkumulátor a tűzben felrobbanhat.
8. Ne szúrja meg, ne vágja meg, ne törje össze, ne dobja el és ne ejtse le az akkumulátort, illetve ne üsse hozzá kemény tárgyhoz. Az ilyen magatartás tűzet, túlzott hőt vagy robbanást okozhat.
9. Ne használjon sérült akkumulátort.
10. A készülékben található lítium-ion akkumulátorokra a veszélyes árukkal kapcsolatos előírások vonatkoznak.
 

A termék pl. harmadik felek, fuvarozó cégek stb. által történő szállítása esetén minden esetben tartsa szem előtt a csomagoláson és a címkén található speciális követelményeket.

A termék szállításra történő felkészítése esetén vegye fel a kapcsolatot egy veszélyes anyagokkal foglalkozó szakemberrel. Kérjük, hogy az esetlegesen szigorúbb nemzeti előírásokat is vegye figyelembe.

Ragassza le a kiálló érintkezőket, illetve oly módon csomagolja be az akkumulátort, hogy az ne tudjon elmozdulni a csomagolásban.
11. Az akkumulátor ártalmatlanításakor vegye ki azt a szerszámból, és ártalmatlanítsa egy biztonságos helyen. Az akkumulátor ártalmatlanításakor tartsa be a helyi előírásokat.
12. Az akkumulátorokat csak a Makita által megjelölt termékekhez használja. Ha az akkumulátorokat azokkal nem kompatibilis termékekbe helyezi, az tűzhez, túlmelegedéshez, robbanáshoz vagy elektrolitszivárgáshoz vezethet.
13. Ha a szerszám hosszabb ideig nincs használatban, az akkumulátort ki kell venni a szerszámból.
14. Használat közben és után az akkumulátor felforrósodhat, ami égési sérülést vagy alacsony hőmérsékletű égési sérülést okozhat. Figyeljen oda a forró akkumulátor kezelésére.
15. Ne érintse meg közvetlenül a szerszám érintkezőjét, mert elég forró lehet ahhoz, hogy égési sérüléseket okozzon.
16. Ne engedje, hogy forgács, por vagy sár tapadjon az akkumulátor érintkezőire, lyukaiba és hornyaiba. Az a szerszám vagy az akkumulátor gyenge teljesítményét vagy meghibásodását okozhatja.
17. Hacsak a szerszám nem támogatja a nagyfeszültségű elektromos vezetékek közelében történő használatot, ne használja az akkumulátort nagyfeszültségű elektromos vezetékek közelében. Az a szerszám vagy az akkumulátor hibás működését vagy meghibásodását okozhatja.
18. Tartsa távol a gyermektől az akkumulátort.

## ŐRIZZE MEG EZEKET AZ UTASÍTÁSOKAT.

**⚠ VIGYÁZAT:** Csak eredeti Makita akkumulátorokat használjon. A nem eredeti Makita akkumulátorok vagy módosított akkumulátorok használata esetén az akkumulátor felrobbanhat, ami tüzet, személyi sérülést és anyagi kárt okozhat. A Makita szerszáma és töltőre vonatkozó Makita garanciát is érvénytelenítheti.

## Tippek az akkumulátor maximális élettartamának eléréséhez

1. Töltse fel az akkumulátort, mielőtt teljesen lemerülne. Állítsa le a gépet, és töltse fel az akkumulátort, ha a gép erejének csökkenését észleli.
2. Soha ne töltse újra a teljesen feltöltött akkumulátort. A túltöltés csökkenti az akkumulátor élettartamát.
3. Töltse az akkumulátort szobahőmérsékleten, 10 °C - 40 °C (50 °F - 104 °F) között. Töltés előtt hagyja lehűlni a fölforrósodott akkumulátort.
4. Ha nem használja az akkumulátort, vegye ki a szerszámból vagy a töltőből.
5. Töltse fel az akkumulátort, ha hosszabb ideje (több mint hat hónapja) nem használta azt.

## Fontos biztonsági utasítások a vezeték nélküli egységhez

1. Ne szerelje szét és ne módosítsa a vezeték nélküli egységet.
2. Tartsa távol a gyermekektől a vezeték nélküli egységet. Véletlen lenyelés esetén azonnal kérjen orvosi segítséget.
3. A vezeték nélküli egységet csak Makita szerszámgépekkel használja.
4. Ne tegye ki a vezeték nélküli egységet esőnek vagy nedves körülményeknek.
5. Ne használja a vezeték nélküli egységet olyan helyen, ahol a hőmérséklet meghaladja a 50 °C.
6. Ne használja a vezeték nélküli egységet orvosi berendezések, például pacemaker közelében.
7. Ne használja a vezeték nélküli egységet automatizált berendezések közelében. A működése közben az automatizált berendezések rendellenesen működhetnek vagy meghibásodhatnak.
8. Ne működtesse a vezeték nélküli egységet magas hőmérsékletű helyen olyan helyen, ahol statikus elektromosság vagy elektromos zaj keletkezhet.
9. A vezeték nélküli egység a felhasználóra veszélyt nem jelentő elektromágneses mezőt (EMF) hozhat létre.
10. A vezeték nélküli egység finom műszer. Vigyázzon, nehogy leejtse, vagy ütés érje a vezeték nélküli egységet.
11. Ne érintse meg a vezeték nélküli egység érintkezőit pusztá kézzel vagy fémes anyaggal.
12. A vezeték nélküli egység beszereplésekor mindig távolítsa el a termék akkumulátorát.
13. A nyílás fedelének nyitáskor kerülje az olyan helyeket, ahol por vagy víz juthat a nyílásba. Mindig tartsa tisztán a bemeneti nyílást.
14. A vezeték nélküli egységet csak a helyes irányban illessze be.
15. Ne nyomja meg túl erősen és/vagy éles szélével rendelkező tárggyal a vezeték nélküli egységen található vezeték nélküli aktiválás gombot.
16. A nyílás fedelét a használatot követően mindig zárja be.
17. Ne távolítsa el a vezeték nélküli egységet a nyílásból, amíg a szerszám gép áram alatt van. Ha így tesz, az a vezeték nélküli egység meghibásodásához vezethet.
18. Ne távolítsa el a vezeték nélküli egységen található matricát.
19. Ne ragasszon matricát a vezeték nélküli egységre.
20. Ne hagyja olyan helyen a vezeték nélküli egységet, ahol statikus elektromosság vagy elektromos zaj keletkezhet.
21. Ne hagyja a vezeték nélküli egységet olyan helyen, ahol a magas hőmérsékletnek lehet kitéve, például egy autóban a napon.
22. Ne hagyja a vezeték nélküli egységet poros helyen, vagy olyan helyen, ahol korrozív gáz képződhet.
23. A hirtelen hőmérsékletváltozás következtében pára csapódhat le a vezeték nélküli egységen. Ne használja a vezeték nélküli egységet, amíg teljesen meg nem száradt.
24. A vezeték nélküli egység tisztításakor törölje át puha ronggyal. Ne használjon benzint, higítót, vezető kenőanyagot vagy más hasonló anyagot.
25. A vezeték nélküli egységet a vele szállított tokban vagy antisztatikus tárolóban tárolja.
26. A szerszám gépen található nyílásba csak a Makita vezeték nélküli egységet csatlakoztassa.
27. Ne használja a szerszám gépet, ha a nyílás fedele sérült. A nyílásba bejutó víz, por és szennyeződések hibát okozhatnak.
28. Ne húzza és/vagy fordítsa el a fedelet a szükségesnél nagyobb mértékben. Szerelje vissza a fedelet, ha leválik a szerszám gépről.
29. Ha a nyílás fedele elveszik vagy megsérül, cserélje ki.

## ŐRIZZE MEG EZEKET AZ UTASÍTÁSOKAT.

# A MŰKÖDÉS LEÍRÁSA

**⚠ VIGYÁZAT:** Minden esetben ellenőrizze, hogy a szerszám ki van kapcsolva és az akkumulátor eltávolításra került mielőtt beállít vagy ellenőriz valamilyen funkciót a szerszámon.

## Az akkumulátor behelyezése és eltávolítása

**⚠ VIGYÁZAT:** Mindig kapcsolja ki az eszközt, mielőtt behelyezi vagy eltávolítja az akkumulátort.

**⚠ VIGYÁZAT:** Az akkumulátor behelyezések vagy eltávolításakor erősen fogja meg a szerszámot és az akkumulátort. Ha nem fogja erősen a szerszámot és az akkumulátort, azok kicsúszhatnak a kezei közül, ami a szerszám és az akkumulátor károsodásához, de akár személyi sérüléshez is vezethet.

**⚠ VIGYÁZAT:** A körfűrészhez ne használjon akkumulátoradaptert. Az akkumulátoradapter kábele akadályozhatja a munkát, és személyi sérüléseket okozhat.

► **Ábra7:** 1. Piros jel 2. Gomb 3. Akkumulátor

Az akkumulátoregység kivételéhez nyomja be az akkumulátoregység elején található gombot, és húzza le a gépről.

Az akkumulátor beszereléséhez illessze az akkumulátor nyelvét a burkolaton található vátatba és csúsztassa a helyére. Egészen addig tolja be, amíg az akkumulátor egy kis kattánással a helyére nem ugrik. Ha látható a piros jel a gomb felső oldalán, akkor a gomb nem kattan be teljesen.

**⚠ VIGYÁZAT:** Mindig tolja be teljesen az akkumulátort, amíg a piros jel el nem tűnik. Ha ez nem történik meg, akkor az akkumulátor kieshet a szerszámból, és Önnek vagy a környezetében másnak sérülést okozhat.

**⚠ VIGYÁZAT:** Ne erőltesse az akkumulátort behelyezésre. Ha az akkumulátor nem csúszik be könnyedén, akkor nem megfelelően lett behelyezve.

## Szerszám-/akkumulátorvédő rendszer

A gép szerszám-/akkumulátorvédő rendszerrel van felszerelve. A rendszer automatikusan kikapcsolja a motor áramellátását, így megnöveli a szerszám és az akkumulátor élettartamát. A gép használat közben automatikusan leáll, ha a szerszám vagy az akkumulátor a következő állapotba kerül. Ezek némelyikében a jelzőfények világítanak.

## Túlterhelésvédelem

Ha a szerszámot/akkumulátort úgy használják, hogy az rendellenesen nagy áramot vesz fel, a szerszám automatikusan leáll. Ilyenkor kapcsolja ki a szerszámot, és fejezze be azt a műveletet, amelyik a túlterhelést okozza. A munka újratekéréséhez kapcsolja be a szerszámot.

## Túlmelegedés elleni védelem

Ha a szerszám/akkumulátor túlmelegedett, automatikusan leáll. Ilyenkor hagyja lehűlni a szerszámot, mielőtt ismét bekapcsolná.










## Mélykisütés elleni védelem

Amikor az akkumulátor kapacitása lecsökken, a gép automatikusan leáll. Ha a készülék a gombokkal sem működtethető, vegye ki az akkumulátort és töltsse fel.

## Az akkumulátor töltöttségének jelzése

Nyomja meg az ellenőrzőgombot, hogy az akkumulátortöltöttség-jelző megmutassa a hátralévő akkumulátor-kapacitást. Ekkor a töltöttség-szint-jelző lámpák néhány másodpercre kigyulladnak.

► **Ábra8:** 1. Jelzőlámpák 2. Check (ellenőrzés) gomb

Jelzőlámpák			Töltöttségi szint
 Világító lámpa	 KI	 Villogó lámpa	
			75%-tól 100%-ig
			50%-tól 75%-ig
			25%-tól 50%-ig
			0%-tól 25%-ig
			Töltsse fel az akkumulátort.
			Lehetséges, hogy az akkumulátor meghibásodott.

**MEGJEGYZÉS:** Az adott munkafeltételektől és a környezet hőmérsékletétől függően a jelzett töltöttségi szint némileg eltérhet a tényleges töltöttségi szinttől.

**MEGJEGYZÉS:** Az első (bal oldali szélső) jelzőlámpa villog, ha az akkumulátorvédő rendszer működik.

## A vágási mélység beállítása

**⚠ VIGYÁZAT:** A vágási mélység beállítása után mindig erősen húzza meg a kart.

Lazítsa meg a mélységvezetőn található kart, és mozgassa a talplemezt felfelé vagy lefelé. A kívánt vágási mélység beállítása után a kar meghúzásával rögzítse a talplemezt.

A tisztább és biztonságosabb vágás érdekében úgy állítsa be a vágási mélységet, hogy a fűrészártárcsának legfeljebb egy foga nyúljon túl a munkadarabon. A megfelelően megválasztott vágási mélységgel a veszélyes VISSZARÚGÁSOK és az azok okozta személyi sérülések megelőzhetők.

► **Ábra9:** 1. Kar



## Ferdevágás

**⚠ VIGYÁZAT:** A ferdevágási szög beállítása után mindig jól húzza meg a kart.

**⚠ VIGYÁZAT:** Ferdevágás végrehajtásakor távolítsa el az oldalmarkolatot (fogantyút).

► **Ábra10:** 1. Oldalmarkolat (fogantyú)

Lazítsa meg a kart, a döntésével állítsa be a kívánt szöget, majd ismét húzza meg a kart.

► **Ábra11:** 1. Kar

## Ütköző

Az ütköző segít a kívánt szög gyors beállításában. Fordítsa el az ütközőt úgy, hogy a rajta levő nyíl a kívánt ferdevágási szög irányába mutasson (körülbelül 22,5°/45°/56°). Lazítsa meg a kart, majd addig döntse a szerszám talplemezét, amíg az meg nem áll. A pozíció, ahol a szerszám talplemeze megáll, az a szög lesz, amelyet az ütköző segítségével beállított. Húzza meg a kart úgy, hogy a szerszám talplemeze ebben a pozícióban legyen.

► **Ábra12:** 1. Ütköző

## Írányzás

Egyenes vágásokhoz igazítsa a talplemez elején található 0°-os pozíciót a vágásvonalra. A 45°-os ferdevágáshoz igazítsa a 45°-os pontot a vonalra.

► **Ábra13:** 1. Vágási vonal (0°-os helyzet) 2. Vágási vonal (45°-os helyzet)

## A kapcsoló használata

**⚠ FIGYELMEZTETÉS:** Mielőtt behelyezi az akkumulátort a szerszámba, mindig ellenőrizze, hogy a kapcsológomb hibátlanul működik és felengedéskor „OFF” állásba áll-e.

**⚠ FIGYELMEZTETÉS:** NE gátolja a reteszelő kapcsoló üzemszerű működését azzal, hogy lera-gasztja, vagy más módon kitémasztja. Az üzempé-  
telenné tett kapcsoló a gép szándékolatlan beindulásá-  
hoz vezethet, ami súlyos személyi sérüléssel járhat.

**⚠ FIGYELMEZTETÉS:** SOHA ne használja ezt a szer-  
számot, ha az akkor is beindul amikor Ön a reteszelőgomb  
megnyomása nélkül húzza meg a kapcsológombot. A javításra  
szoruló kapcsoló a gép szándékolatlan beindulásához vezethet,  
ami súlyos személyi sérüléssel járhat. A további használat ELŐTT  
vigye a szerszámot javításra egy MAKITA szervizközpontba.

**⚠ VIGYÁZAT:** Miután elengedi a kapcsológombot, a szer-  
szám azonnal elkezdi fékezni a körfűrész tárcsa forgását. A  
kapcsológomb elengedésekor tartsa erősen a szerszámot,  
hogy válaszoljon a fékezési reakcióra. A hirtelen reakció kitép-  
heti a szerszámot a kezéből, és személyi sérülést okozhat.

A kapcsológomb véletlen működtetését reteszelő gomb gátolja meg. A szerszám bekapcsolásához nyomja le a kireteszelőgombot és húzza meg a kapcsológombot. A megállításhoz engedje el a kapcsológombot.

► **Ábra14:** 1. Kapcsológomb 2. Reteszelőgomb

**MEGJEGYZÉS:** Ne húzza túlzott erővel a kap-  
csológombot úgy, hogy nem nyomta be a rete-  
szelőgombot. Ez a kapcsoló törését okozhatja.

## Elektromos fék

A szerszám elektromos tárcsafékkal rendelkezik. Ha a szerszámnak rendszeresen nem sikerül gyorsan megállítania a körfűrész tárcsát a kapcsolókar felengedése után, szervizeltesse a szerszámot a Makita szervizközpontban.

**⚠ VIGYÁZAT:** A tárcsafékrendszer nem helyet-  
tesíti a tárcsavédőt. SOHASE HASZNÁLJA A  
SZERSZÁMOT MŰKÖDŐ TÁRCSAVÉDŐ NÉLKÜL.  
SÚLYOS SZEMÉLYI SÉRÜLÉST OKOZHAT.

## Elektronikus funkció

Az elektronikus funkciókkal ellátott szerszámokat könnyű működtetni a következő jellemzők miatt.

### Lágyindítás

A lágyindítás az indulási lökést gátolja meg.

## ÖSSZESZERELÉS

**⚠ VIGYÁZAT:** Minden esetben ellenőrizze, hogy a szerszám ki van kapcsolva és az akkumulátort levette, mielőtt bármilyen művelet végez a szerszámmal.

## Ellentartó villáskulcs tárolása

Amikor nem használja, tárolja az ellentartó villáskulcsot az ábrán látható módon, nehogy elveszzen.

► **Ábra15:** 1. Ellentartó villáskulcs

## A körfűrész tárcsa eltávolítása és felhelyezése

**⚠ VIGYÁZAT:** Ügyeljen arra, hogy a körfűrész-  
tárcsát úgy szerelje fel, hogy a fogak a szerszám  
elejénél felfelé mutassanak.

**⚠ VIGYÁZAT:** A körfűrész tárcsa felszereléséhez  
vagy eltávolításához csak a Makita ellentartó  
villáskulcsot használja.

A körfűrész tárcsa eltávolításához nyomja be teljesen a tengelyreteszt, hogy a körfűrész tárcsa ne tudjon elfordulni, és lazítsa meg az imbuszcsavart az ellentartó villáskulccsal. Ezután távolítsa el az imbuszcsavart, a külső illesztőperemet, a körfűrész tárcsát és a gyűrűt (országfüggő).

► **Ábra16:** 1. Tengelyretesz 2. Ellentartó villáskulcs  
3. Lazítás 4. Meghúzás

### Gyűrű nélküli szerszám

► **Ábra17:** 1. Imbuszcavar 2. Külső illesztőperem  
3. Körfűrész tárcsa 4. Nyíl a körfűrész tárcsán  
5. Belső illesztőperem 6. Nyíl a szerszámon

### Gyűrűvel felszerelt szerszám

► **Ábra18:** 1. Imbuszcavar 2. Külső illesztőperem  
3. Körfűrész tárcsa 4. Nyíl a körfűrész tárcsán  
5. Gyűrű 6. Belső illesztőperem 7. Nyíl a szerszámon

A körfűrész tárcsa felszereléséhez kövesse a leszerelési eljárást fordított sorrendben.

Igazítsa a körfűrész tárcsán lévő nyíl irányát a szerszámon lévő nyílhoz.

## 15,88 mm-es belső furatátmérőtől eltérő belső illesztőperemmel rendelkező fűrészlárcsa esetén

A belső illesztőperem bizonyos átmérőjű kiemelkedéssel rendelkezik az egyik oldalán, valamint egy eltérő átmérőjű kiemelkedéssel rendelkezik a másik oldalán. Válassza ki azt az oldalt, melynek kiemelkedése tökéletesen beleillik a körfűrészlárcsa nyílásába. Szerelje fel a belső illesztőperemet a tartótengelyre úgy, hogy a belső illesztőperem megfelelő kiemelkedéssel rendelkezze az oldala kifele nézzen, majd helyezze fel a körfűrészlárcsát és a külső illesztőperemet.

- **Ábra19:** 1. Tartótengely 2. Belső illesztőperem 3. Körfűrészlárcsa 4. Külső illesztőperem 5. Imbuszcsonvar

**FIGYELMEZTETÉS:** AZ IMBUSZCSAVART AZ ÓRAMUTATÓ JÁRÁSÁVAL ELLENTÉTES IRÁNYBAN, SZOROSAN HÚZZA MEG. Arra is ügyeljen, hogy ne erőltesse a csavart. Ha lecsúszik a keze az imbuszkulcsról, személyi sérülés következhet be.

**FIGYELMEZTETÉS:** Ügyeljen arra, hogy a kifele néző „a” kiemelkedés a belső illesztőperemen tökéletesen illeszkedjen a fűrészlárcsa „a” nyílásába. Amennyiben a körfűrészlárcsát a rossz oldalra szereli fel, veszélyes rezgés jöhet létre.

## 15,88 mm-es belső furatátmérővel rendelkező, belső illesztőperemmel rendelkező fűrészlárcsához (az országra jellemző)

Helyezze fel a hornyolt oldalával kifele néző belső illesztőperemet a tartótengelyre, majd helyezze fel a fűrészlárcsát (a mellékelt gyűrűvel, ha szükséges), a külső illesztőperemet és az imbuszcsonvart.

### Gyűrű nélküli szerszám

- **Ábra20:** 1. Tartótengely 2. Belső illesztőperem 3. Körfűrészlárcsa 4. Külső illesztőperem 5. Imbuszcsonvar

### Gyűrűvel felszerelt szerszám

- **Ábra21:** 1. Tartótengely 2. Belső illesztőperem 3. Körfűrészlárcsa 4. Külső illesztőperem 5. Imbuszcsonvar 6. Gyűrű

**FIGYELMEZTETÉS:** AZ IMBUSZCSAVART AZ ÓRAMUTATÓ JÁRÁSÁVAL ELLENTÉTES IRÁNYBAN, SZOROSAN HÚZZA MEG. Arra is ügyeljen, hogy ne erőltesse a csavart. Ha lecsúszik a keze az imbuszkulcsról, személyi sérülés következhet be.

**FIGYELMEZTETÉS:** Ha gyűrűvel kell felszerelni a körfűrészlárcsát a tengelyre, mindig ellenőrizze, hogy a használni kívánt lárcsa tengelyfuratának megfelelő gyűrű van-e a belső és külső illesztőperem közé helyezve. A tengelyfuratnak nem megfelelő gyűrű használata esetén a körfűrészlárcsát nem lehet megfelelően felszerelni, az elmozdulva jelentős rezgést kelthet, ami a szerszám feletti uralom elvesztésével és súlyos személyi sérülésekkel járhat.

## Fűrészlapvédő tisztítása

A körfűrészlárcsa cseréjekor ügyeljen rá, hogy megtisztítsa a felső és alsó fűrészlapvédőt a lerakódott fűrészportól a Karbantartás fejezetben ismertetett módon. Ezek a műveletek ugyanakkor nem helyettesítik az alsó fűrészlapvédő működésének minden használat előtt szükséges ellenőrzését.

## Az oldalmarkolat (fogantyú) felszerelése

**VIGYÁZAT:** Használat előtt mindig bizonyosodjon meg arról, hogy az oldalmarkolat szilárdan van rögzítve.

**VIGYÁZAT:** Ferdevágás végrehajtásakor távolítsa el az oldalmarkolatot (fogantyút). Ha az oldalmarkolattal (fogantyúval) végez ferdevágást, az hozzáérhet a munkadarabhoz vagy a testéhez, és visszariágást vagy személyi sérülést okozhat.

**VIGYÁZAT:** Vigyázzon, ne üsse meg az ojjait az oldalmarkolattal (fogantyúval), amikor kinyitja/bezárja az alsó védőt.

Az oldalmarkolat (fogantyú) a szerszám tartására és hordozására is használható.

Az oldalmarkolat (fogantyú) felszereléséhez csavarozza az oldalmarkolatot biztonságosan a helyére a szerszámon az ábrának megfelelően.

- **Ábra22:** 1. Oldalmarkolat (fogantyú)

## Porszívó csatlakoztatása

### Opcionális kiegészítők

**VIGYÁZAT:** Vigyázzon, ne engedje, hogy a cső a munkadarabra akadjon. A visszariágás miatt súlyos személyi sérülést okozhat.

**MEGJEGYZÉS:** Tárolja a gumidugót a szerszám elején, hogy megelőzze az elvesztését.

**MEGJEGYZÉS:** Amikor nem használja a porszívót, tegye a gumidugót a porkifúvóra.

Távolítsa el a gumidugót a porkifúvóról, és csatlakoztassa a porszívó csövét az ábrán látható módon.

- **Ábra23:** 1. Gumidugó

Csatlakoztasson egy Makita porszívót a szerszámmal.

- **Ábra24:** 1. Gumidugó 2. Porszívó 3. Cső 4. Porkifúvó

## MŰKÖDTETÉS

A szerszám csak fából készült termékek vágására szolgál.

A vágandó anyaghoz használandó megfelelő körfűrészlárcsát nézze meg a weboldalunkon vagy vegye fel a kapcsolatot a helyi Makita kereskedővel.



## A fűrésztárcsavédő ellenőrzése

Állítsa a ferdevágási szöveget 0°-ra, majd húzza vissza kézzel az alsó védőt végig, és engedje el. Az alsó védő akkor működik rendszeren, ha;

- akadály nélkül vissza lehet húzni az alaplemez felett, és;
- automatikusan visszatér, és hozzáér az ütközőhöz.

► **Ábra25:** 1. Felső védő 2. Alsó védő 3. Alaplemez 4. Ütköző 5. Nyitás 6. Zárás

Ha az alsó védő nem működik rendszeren, ellenőrizze, hogy nem gyűlt-e fűrészpor belül a felső és alsó védő között. Ha az alsó védő nem működik rendszeren a por eltávolítása után sem, javíttassa meg a szerszámot egy Makita szervizközpontban.

**⚠ VIGYÁZAT:** A vágási művelet végzésekor viseljen pormaszkot.

**⚠ VIGYÁZAT:** Figyeljen oda, hogy a szerszámot egyenes vonal mentén, folyamatosan tolja előre.

A szerszám erőltetése vagy csavarása a motor túlmelegedéséhez vezet, valamint veszélyes visszarágásokat eredményez, amelyek súlyos sérüléseket okozhatnak.

**MEGJEGYZÉS:** Ha az akkumulátor hőmérséklete túl alacsony, előfordulhat, hogy a szerszám nem működik teljes teljesítménnyel. Ebben az esetben használja egy ideig könnyű munkákhoz a szerszámot, amíg az akkumulátor szobahőmérsékletűvé válik. Ezután a szerszám teljes kapacitással fog működni.

► **Ábra26**

Biztosan tartsa a szerszámot. A szerszám elülső markolattal és hátsó fogantyúval van ellátva. A szerszámot mindkettőtől fogva tartsa. Ha két kézzel tartja a fűrész, akkor a körfűrésztárcsa nem vághatja el a kezét. A szerszám talpát helyezze a vágandó munkadarabra, úgy, hogy a körfűrésztárcsa ne érintkezzen vele. Ezután kapcsolja be a szerszámot, majd várja meg, amíg a körfűrésztárcsa eléri maximális fordulatszámát. Ekkor mozgassa előre a szerszámot a munkadarab felszínén úgy, hogy közben laposan tartja, és finoman tolja előre, míg a vágás be nem fejeződik.

A tiszta vágás érdekében tartsa egyenesen a vágási vonalat, és alkalmazzon egyenes elöretolási sebességet. Ha a vágás nem követi megfelelően a kívánt vágási vonalat, ne próbálja meg a szerszámot elfordítani vagy visszaerőltetni a vonalra! Ekkor ugyanis a körfűrésztárcsa megakadhat, ami veszélyes visszarágáshoz és súlyos sérüléshez vezethet. Engedje fel a kapcsolót, várja meg, hogy a körfűrésztárcsa leálljon, majd emelje el a munkadarabról a szerszámot. Állítsa rá a szerszámot az új vágási vonalra, majd kezdje meg ismét a vágást. Próbálja meg elkerülni azt a testhelyzetet, amelynél a szerszám kezelője a fűrész által kibotott forgácsok és fűrészpor útjába kerül. Használjon védőszemüveget a sérülések megelőzése érdekében.

## Akasztó

**⚠ VIGYÁZAT:** Mindig vegye ki az akkumulátort a szerszámból, amikor felakasztja azt az akasztóval.

**⚠ VIGYÁZAT:** Soha ne akassza magasra vagy olyan helyre a szerszámot, ahol az kibillenhet az egyensúlyából és leeshet. Máskülönb a leesés balesetet és súlyos sérülést okozhat.

**⚠ VIGYÁZAT:** Ne húzza lefelé a szerszámot, ha fel van akasztva.

**⚠ VIGYÁZAT:** Csak a rendeltetésszerű céljukra használja az akasztó/szerelési alkatrészeket. A nem rendeltetésszerű célra történő használat balesetet vagy személyi sérülést okozhat.

**⚠ VIGYÁZAT:** Soha ne akassza fel a szerszámot, ha az akasztó sérült. Máskülönb a leesés balesetet és súlyos sérülést okozhat.

Az akasztó a szerszám ideiglenes felakasztására használható. Használatához egyszerűen emelje felfelé az akasztót addig, amíg be nem pattan a nyitott állásba. Amikor nem használja, mindig engedje le az akasztót addig, amíg be nem pattan a zárt állásba.

► **Ábra27:** 1. Akasztó 2. Nyitott állás 3. Zárt állás

► **Ábra28**

## Párhuzamvezető (vezetővonalzó)

### Opcionális kiegészítők

A praktikus párhuzamvezető extra pontos egyenes vágások elvégzését teszi lehetővé. Egyszerűen illeszse a párhuzamvezetőt a munkadarab oldalához, és rögzítse azt a talplemez elején található csavarral. Ezzel lehetővé válik egymás után több azonos szélességű vágás is.

► **Ábra29:** 1. Párhuzamvezető (vezetővonalzó) 2. Szorítócsavar

## VEZETÉK NÉLKÜLI AKTIVÁLÁS FUNKCIÓ

### Mire használható a vezeték nélküli aktiválás funkció?

A vezeték nélküli aktiválás funkció tiszta és kényelmes munkavégzést tesz lehetővé. Ha egy támogatott porszívót csatlakoztat a szerszámgéphez, a porszívót automatikusan működtetheti a szerszámgép kapcsolójával.

► **Ábra30**

A vezeték nélküli aktiválás funkció használatához a következőkre van szüksége:

- A vezeték nélküli egység (opcionális tartozék)
- A vezeték nélküli aktiválás funkciót támogató porszívó

A vezeték nélküli aktiválás funkció beállításának áttekintését az alábbiakban találja. A részletes eljárásokkal kapcsolatos információkért tekintse meg az egyes szakaszokat.

1. A vezeték nélküli egység felszerelése
2. A szerszámgép regisztrációja a porszívóval
3. A vezeték nélküli aktiválás funkció elindítása

## A vezeték nélküli egység felszerelése

### Opcionális kiegészítők

**⚠ VIGYÁZAT:** Helyezze a szerszámgépet sík és stabil felületre a vezeték nélküli egység felszereléséhez.

**MEGJEGYZÉS:** A vezeték nélküli egység felszerelése előtt tisztítsa meg a szerszámgépet a portól és a szennyeződéstől. A por és a szennyeződés meghibásodást okozhat a vezeték nélküli egység nyílásába kerülve.

**MEGJEGYZÉS:** A statikus elektromosság által okozott meghibásodás elkerülése érdekében érintse meg a szerszámgép statikus kísütésre alkalmas anyagból, például fémből készült alkatrészét, mielőtt a vezeték nélküli egységhez érne.

**MEGJEGYZÉS:** A vezeték nélküli egység felszerelésekor ügyeljen rá, hogy a vezeték nélküli egységet a megfelelő irányban illessze be, és a fedél teljesen zárva legyen.

1. Az ábrának megfelelően nyissa ki a szerszámgép-található fedelet.

▶ **Ábra31:** 1. Fedél

2. Illessze be a vezeték nélküli egységet a nyílásba, és zárja be a fedelet.

A vezeték nélküli egység beillesztésekor igazítsa a nyúlványokat a nyílás sülyesztett részeihez.

▶ **Ábra32:** 1. Vezeték nélküli egység 2. Nyúlvány 3. Fedél 4. Sülyesztett rész

A vezeték nélküli egység eltávolításakor lassan nyissa ki a fedelet. Amikor felhúzza a fedelet, a fedél hátoldalán található horgok lassan kiemelik a vezeték nélküli egységet.

▶ **Ábra33:** 1. Vezeték nélküli egység 2. Horog 3. Fedél

A vezeték nélküli egységet az eltávolítását követően tartsa a vele szállított tokban vagy antisztatikus tárolóban.

**MEGJEGYZÉS:** A vezeték nélküli egység eltávolításához mindig a fedél hátoldalán található horgokat használja. Ha a horgok nem akadnak bele a vezeték nélküli egységbe, ismét zárja vissza a fedelet, és nyissa ki ismét lassan.

## A szerszámgép regisztrációja a porszívóval

**MEGJEGYZÉS:** A szerszámgép regisztrálásához a vezeték nélküli aktiválás funkciót támogató porszívóra van szükség.

**MEGJEGYZÉS:** A szerszámgép regisztrációjának megkezdése előtt szerelje be a vezeték nélküli egységet a szerszámgépbe.

**MEGJEGYZÉS:** A szerszámgép regisztrálása közben ne nyomja meg a kapcsológombot, és ne fordítsa el a tápkapcsolót a porszívón.

**MEGJEGYZÉS:** Tekintse át a porszívó használati útmutatóját is.

Ha a szerszámgép kapcsolójának működtetésével egyidejűleg kívánja aktiválni a porszívót, akkor először végezze el a szerszámgép regisztrációját.

1. Illessze be az akkumulátorokat a porszívóba és a szerszámgépbe.

2. Állítsa a porszívó készenléti kapcsolóját „AUTO” helyzetbe.

▶ **Ábra34:** 1. Készenléti kapcsoló

3. Nyomja le a porszívó vezeték nélküli aktiválás gombját 3 másodpercig, amíg a vezeték nélküli aktiválás lámpája zölden nem villog. Ezután nyomja le ugyanígy a szerszámgép vezeték nélküli aktiválás gombját.

▶ **Ábra35:** 1. Vezeték nélküli aktiválás gomb 2. Vezeték nélküli aktiválás lámpája

A porszívó és a szerszámgép sikeres összekapcsolása esetén a vezeték nélküli aktiválás lámpája 2 másodpercig zölden világít, majd kéken kezd villogni.

**MEGJEGYZÉS:** A vezeték nélküli aktiválás lámpája a zölden villogást 20 másodperc elteltével fejezi be. Addig nyomja meg a szerszámgép vezeték nélküli aktiválás gombját, amíg a porszívón villog a vezeték nélküli aktiválás lámpája. Ha a vezeték nélküli aktiválás lámpája nem villog zölden, akkor nyomja le röviden a vezeték nélküli aktiválás gombot, és tartsa ismét lenyomva.

**MEGJEGYZÉS:** Ha kettő vagy több szerszámgép regisztrál egy porszívóhoz, akkor a szerszámgépek regisztrálását egymás után végezze el.

## A vezeték nélküli aktiválás funkció elindítása

**MEGJEGYZÉS:** A vezeték nélküli aktiválás előtt végezze el a szerszámgép regisztrálását.

**MEGJEGYZÉS:** Tekintse át a porszívó használati útmutatóját is.

Miután regisztrált egy szerszámgépet a porszívóhoz, a porszívó automatikusan a szerszámgép kapcsolójának működtetésével egyszerre üzemel.

1. Szerelje fel a vezeték nélküli egységet a szerszámgépbe.

2. Csatlakoztassa a porszívó csövét a szerszámgéphez.

▶ **Ábra36**

3. Állítsa a porszívó készenléti kapcsolóját „AUTO” helyzetbe.

▶ **Ábra37:** 1. Készenléti kapcsoló

4. Nyomja meg röviden a szerszámgép vezeték nélküli aktiválás gombját. A vezeték nélküli aktiválás gomb kéken villog.

▶ **Ábra38:** 1. Vezeték nélküli aktiválás gomb 2. Vezeték nélküli aktiválás lámpája

5. Nyomja meg a szerszámgép kapcsológombját. Ellenőrizze, hogy működik-e a porszívó a kapcsológomb nyomva tartásakor.

A porszívó vezeték nélküli aktiválásának leállításához nyomja meg a szerszámgép vezeték nélküli aktiválás gombját.

**MEGJEGYZÉS:** Ha 2 órán keresztül nem működtetik, akkor a szerszámgép vezeték nélküli aktiválás lámpájának kék villogása leáll. Ebben az esetben állítsa az „AUTO” helyzetbe a porszívó készenléti kapcsolóját, és nyomja meg ismét a szerszámgépen a vezeték nélküli aktiválás gombját.

**MEGJEGYZÉS:** A porszívó késleltetéssel indul/áll le. A porszívó időben eltolva érzékeli a szerszámgép kapcsológombos működtetését.



**MEGJEGYZÉS:** A vezeték nélküli egység átviteli távolsága a helyszíntől és a környezeti feltételektől függően eltérhet.

**MEGJEGYZÉS:** Ha egy porszívóhoz két vagy több szerszámgép van regisztrálva, akkor a porszívó a kapcsológomb megnyomása nélkül is működhet, mert egy másik felhasználó is használja a vezeték nélküli aktiválás funkciót.

## A vezeték nélküli aktiválás lámpa állapotának leírása

### ► Ábra39: 1. Vezeték nélküli aktiválás lámpája

A vezeték nélküli aktiválás lámpa a vezeték nélküli aktiválás funkció állapotáról tájékoztat. A lámpa állapotának jelentésével kapcsolatban az alábbi táblázatban talál információkat.

Állapot	Vezeték nélküli aktiválás lámpája				Leírás
	Szín	 Be	 Villogó lámpa	Időtartam	
Készenléti	Kék	<input checked="" type="checkbox"/>	<input checked="" type="checkbox"/>	2 óra	A porszívó vezeték nélküli aktiválás funkciója rendelkezésre áll. A lámpa automatikusan kikapcsol, ha a szerszámgépet 2 órán át nem működtetik.
		<input type="checkbox"/>	<input type="checkbox"/>	Amikor a szerszámgép működik.	A porszívó vezeték nélküli aktiválás funkciója rendelkezésre áll, és a szerszámgép üzemel.
Szerszámgép regisztrálása	Zöld	<input checked="" type="checkbox"/>	<input checked="" type="checkbox"/>	20 másodperc	A szerszámgép készen áll a regisztrálására. Várakozás a porszívón történő regisztrálásra.
		<input type="checkbox"/>	<input type="checkbox"/>	2 másodperc	A szerszámgép regisztrálása befejeződött. A vezeték nélküli aktiválás lámpája kéken kezd villogni.
A szerszámgép regisztrálásának visszavonása	Piros	<input checked="" type="checkbox"/>	<input checked="" type="checkbox"/>	20 másodperc	Készen áll a szerszámgép regisztrációjára. Várakozás a porszívón történő regisztrálás visszavonására.
		<input type="checkbox"/>	<input type="checkbox"/>	2 másodperc	A szerszámgép regisztrációjának visszavonása befejeződött. A vezeték nélküli aktiválás lámpája kéken kezd villogni.
Egyebek	Piros	<input type="checkbox"/>	<input type="checkbox"/>	3 másodperc	A vezeték nélküli egység tápellátást kap, és a vezeték nélküli aktiválás funkció elindul.
	Ki	-	-	-	A porszívó vezeték nélküli aktiválása leállt.

## A szerszámgép porszívón történő regisztrációjának visszavonása

A szerszámgép porszívón történő regisztrálásakor tegye a következőket.

1. Illessze be az akkumulátorokat a porszívóba és a szerszámgépbe.

2. Állítsa a porszívó készenléti kapcsolóját „AUTO” helyzetbe.

► **Ábra40:** 1. Készenléti kapcsolat

3. Nyomja le 6 másodpercre a porszívó vezeték nélküli aktiválás gombját. A vezeték nélküli aktiválás gombja zölden villog, majd pirosra vált. Ezután nyomja le ugyanígy a szerszámgép vezeték nélküli aktiválás gombját.

► **Ábra41:** 1. Vezeték nélküli aktiválás gomb

2. Vezeték nélküli aktiválás lámpája

Ha a visszavonás sikeres volt, a vezeték nélküli aktiválás lámpája 2 másodpercig pirosan világít, majd kéken kezd villogni.

**MEGJEGYZÉS:** A vezeték nélküli aktiválás lámpája a pirosan villogást 20 másodperc elteltével fejezi be. Addig nyomja meg a szerszámgép vezeték nélküli aktiválás gombját, amíg a porszívón villog a vezeték nélküli aktiválás lámpája. Ha a vezeték nélküli aktiválás lámpája nem villog pirosan, akkor nyomja le röviden a vezeték nélküli aktiválás gombot, és tartsa ismét lenyomva.

## A vezeték nélküli aktiválás funkció hibaelhárítása

Mielőtt a szervizhez fordulna, először végezzen saját maga is átvizsgálást. Ha olyan problémát talál, amire a kézikönyv nem tartalmaz magyarázatot, ne próbálja meg szétszedni az eszközt. Ehelyett kérjen tanácsot a Makita hivatalos szervizközpontjától, és javításhoz mindig Makita cserealkatrészeket használjon.

Rendellenesség	Lehetséges ok (meghibásodás)	Megoldás
A vezeték nélküli aktiválás lámpája nem világít/villog.	A vezeték nélküli egység nincs felszerelve a szerszámgépre. A vezeték nélküli egység nincs megfelelően felszerelve a szerszámgépre.	Szerelje fel helyesen a vezeték nélküli egységet.
	A vezeték nélküli egység és/vagy a nyílás érintkezője szennyezett.	Óvatosan törölje le a port és a szennyeződést a vezeték nélküli egység érintkezőjéről, és tisztítsa meg a nyílást.
	Nem lett lenyomva a szerszámgép vezeték nélküli aktiválás gombja.	Nyomja meg röviden a szerszámgép vezeték nélküli aktiválás gombját.
	A porszívó készenléti kapcsolója nincs „AUTO” helyzetbe állítva.	Állítsa a porszívó készenléti kapcsolóját „AUTO” helyzetbe.
	Nincs tápellátás	Biztosítsa a szerszámgép és a porszívó tápellátását.
Nem lehet sikeresen befejezni a szerszámgép regisztrációját/ szerszámgép regisztrációjának visszavonását.	A vezeték nélküli egység nincs felszerelve a szerszámgépre. A vezeték nélküli egység nincs megfelelően felszerelve a szerszámgépre.	Szerelje fel helyesen a vezeték nélküli egységet.
	A vezeték nélküli egység és/vagy a nyílás érintkezője szennyezett.	Óvatosan törölje le a port és a szennyeződést a vezeték nélküli egység érintkezőjéről, és tisztítsa meg a nyílást.
	A porszívó készenléti kapcsolója nincs „AUTO” helyzetbe állítva.	Állítsa a porszívó készenléti kapcsolóját „AUTO” helyzetbe.
	Nincs tápellátás	Biztosítsa a szerszámgép és a porszívó tápellátását.
	Nem megfelelő működés	Nyomja meg röviden a vezeték nélküli aktiválás gombját, és hajtsa végre ismét a szerszámgép regisztrációját/szerszámgép regisztrációjának visszavonását.
	A szerszámgép és a porszívó túl messze vannak egymástól (az átviteli hatótávolságon túl).	Vigye közelebb egymáshoz a porszívót és a szerszámgépet. A maximális átviteli távolság kb. 10 méter, azonban ez a feltételektől függően eltérő lehet.
	Mielőtt befejezte a szerszámgép regisztrációját/szerszámgép regisztrációjának visszavonását; - megnyomták a szerszámgép kapcsológombját, vagy; - elfordították a porszívó bekapcsológombját.	Nyomja meg röviden a vezeték nélküli aktiválás gombját, és hajtsa végre ismét a szerszámgép regisztrációját/szerszámgép regisztrációjának visszavonását.
	A szerszámgép vagy a porszívó szerszámgép-regisztrálási eljárása még nem fejeződött be.	Hajtsa végre egyszerre a szerszámgép és a porszívó szerszámgép-regisztrálási eljárását.
	Nagy intenzitású rádióhullámokat generáló egyéb berendezések által okozott rádiójel-zavarás.	Tartsa távol a szerszámgépet és a porszívót a Wi-Fi-eszközöktől, mikrohullámú sütőktől és hasonlóktól.

Rendellenesség	Lehetséges ok (meghibásodás)	Megoldás
A porszívó nem a szerszámgép működtetésével összehangolva üzemel.	A vezeték nélküli egység nincs felszerelve a szerszámgépre. A vezeték nélküli egység nincs megfelelően felszerelve a szerszámgépre.	Szerelje fel helyesen a vezeték nélküli egységet.
	A vezeték nélküli egység és/vagy a nyílás érintkezője szennyezett.	Óvatosan törölje le a port és a szennyeződést a vezeték nélküli egység érintkezőjéről, és tisztítsa meg a nyílást.
	Nem lett lenyomva a szerszámgép vezeték nélküli aktiválás gombja.	Nyomja le röviden a vezeték nélküli aktiválás gombját, és győződjön meg róla, hogy a vezeték nélküli aktiválás lámpája kéken villog.
	A porszívó készenléti kapcsolója nincs „AUTO” helyzetbe állítva.	Állítsa a porszívó készenléti kapcsolóját „AUTO” helyzetbe.
	Több mint 10 szerszámgép van a porszívón regisztrálva.	Hajtsa végre ismét a szerszámgép regisztrációját. Ha több mint 10 szerszámgép van regisztrálva a porszívóhoz, akkor az először regisztrált szerszámgép automatikusan törlődni fog.
	A porszívó minden szerszámgép-regisztrációt törölt.	Hajtsa végre ismét a szerszámgép regisztrációját.
	Nincs tápellátás	Biztosítsa a szerszámgép és a porszívó tápellátását.
	A szerszámgép és a porszívó túl messze vannak egymástól (az átviteli hatótávolságon túl).	Vigye közelebb egymáshoz a porszívót és a szerszámgépet. A maximális átviteli távolság kb. 10 méter, azonban ez a feltételektől függően eltérő lehet.
	Nagy intenzitású rádióhullámokat generáló egyéb berendezések által okozott rádiójel-zavarás.	Tartsa távol a szerszámgépet és a porszívót a Wi-Fi-eszközöktől, mikrohullámú sütőktől és hasonlóktól.
A porszívó a szerszámgép kapcsolójának lenyomása nélkül is működik.	Más felhasználók használják a porszívó vezeték nélküli aktiválás funkcióját a saját szerszámgépeikkel.	Kapcsolja ki a többi szerszámgép vezeték nélküli aktiválás gombját, vagy vonja vissza a többi szerszámgép regisztrációját.

## KARBANTARTÁS

**⚠ VIGYÁZAT:** Minden esetben ellenőrizze, hogy a szerszám ki van kapcsolva és az akkumulátor eltávolításra került mielőtt átvizsgálja a szerszámot vagy annak karbantartását végzi.

**⚠ VIGYÁZAT:** Tisztítsa meg a felső és alsó fűrészlapvédőt a felgyűlt fűrészportól, amely gátolhatja az alsó védőrendszer megfelelő működését. A szennyezett védőrendszer korlátozhatja a megfelelő működést, ami súlyos személyi sérüléshez vezethet. A tisztítást leghatékonyabban sűrített levegővel végezheti el. **Ha port fúvat ki a fűrészlapvédőkből, viseljen megfelelő szem- és légzésvédő eszközt.**

**⚠ VIGYÁZAT:** Minden használat után törölje le a fűrészport a szerszámról. A finom fűrészpor a szerszám belsejébe juthat, és hibás működést vagy tüzet okozhat.

**MEGJEGYZÉS:** Soha ne használjon gázolajt, benzint, hígítót, alkoholt vagy hasonló anyagokat. Ezek elszineződést, alakvesztést vagy repedést okozhatnak.

A termék BIZTONSÁGÁNAK és MEGBÍZHATÓSÁGÁNAK fenntartása érdekében a javításokat és más karbantartásokat vagy beállításokat a Makita hivatalos vagy gyári szervizközpontjában kell elvégezni, mindig csak Makita cserealkatrészeket használva.

## A 0°-os vágási pontosság beállítása

Ezt a beállítást a gyárban már elvégezték. Ha viszont elalélítódott, az alábbi eljárással beállíthatja.

- Enyhén lazítsa meg a ferdevágási mérőlemezen található kart.
- Állítsa a talplemezt a tárcsával merőlegesre egy háromszögvonalzó vagy egy derékszögű vonalzó segítségével, a beállítócsavar forgatásával.

▶ **Ábra42:** 1. Háromszögvonalzó 2. Beállítócsavar

- Szorítsa meg a kart, és végezzen egy próbavágást a függőlegesség ellenőrzésére.

## OPCIONÁLIS KIEGÉSZÍTŐK

**⚠ VIGYÁZAT:** Ezen kiegészítőket és tartozékokat javasoljuk a kézikönyvben ismertetett Makita szerszámhoz. Bármilyen más kiegészítő vagy tartozék használata a személyi sérülés kockázatával jár. A kiegészítőket vagy tartozékokat csak rendeltetészerűen használja.

Ha bármilyen segítségre vagy további információkra van szüksége ezekkel a tartozékokkal kapcsolatban, keresse fel a helyi Makita Szervizközpontot.

- Kőfűrész tárcsa
- Ellentartó villáskulcs
- Párhuzamvezető (vezetővonalzó)
- Eredeti Makita akkumulátor és töltő

**MEGJEGYZÉS:** A listán felsorolt néhány kiegészítő megtalálható az eszköz csomagolásában standard kiegészítőként. Ezek országonként eltérőek lehetnek.

# TECHNICKÉ ŠPECIFIKÁCIE

<b>Model:</b>		<b>RS002G</b>
Priemer čepele		260 mm
Maximálna hĺbka rezu	pri 0°	95,0 mm
	pri skosení 45°	70,0 mm
	pri skosení 56°	54,5 mm
Otáčky naprázdno		4 000 min <sup>-1</sup>
Celková dĺžka		489 mm
Menovité napätie		Jednosmerný prúd 36 V – 40 V max.
Čistá hmotnosť		5,7 – 6,3 kg

- Vzhľadom k neustálemu výskumu a vývoju podliehajú technické údaje uvedené v tomto dokumente zmenám bez upozornenia.
- Technické údaje sa môžu pre rôzne krajiny líšiť.
- Hmotnosť sa môže líšiť v závislosti od nadstavcov vrátane akumulátora. Najľahšia a najťažšia kombinácia v súlade s postupom EPTA 01/2014 je uvedená v tabuľke.

## Použiteľné akumulátory a nabíjačky

Akumulátor	BL4020 / BL4025 / BL4040 / BL4050F* *: Odporúčaný akumulátor
Nabíjačka	DC40RA / DC40RB / DC40RC

- Niektoré vyššie uvedené akumulátory a nabíjačky môžu byť nedostupné v závislosti od miesta vášho bydliska.

**VAROVANIE:** Používajte iba akumulátory a nabíjačky zo zoznamu uvedeného vyššie. Používanie akýchkoľvek iných akumulátorov a nabíjačiek môže spôsobiť zranenie a/alebo požiar.

## Určené použitie

Tento nástroj je určený na vykonávanie pozdĺžnych a priečných priamych rezov a zrezávanie dreva v uhloch s pevným kontaktom s obrobkom.

## Hluk

Typická hladina akustického tlaku zátáže A určená podľa štandardu EN62841-2-5:  
Úroveň akustického tlaku ( $L_{pA}$ ): 96 dB (A)  
Úroveň akustického tlaku ( $L_{WA}$ ): 107 dB (A)  
Odchýlka (K): 3 dB (A)

**POZNÁMKA:** Deklarovaná hodnota emisií hluku bola meraná podľa štandardnej skúšobnej metódy a môže sa použiť na porovnanie jedného nástroja s druhým.

**POZNÁMKA:** Deklarovaná hodnota emisií hluku sa môže použiť aj na predbežné posúdenie vystavenia ich účinkom.

**VAROVANIE:** Používajte ochranu sluchu.

**VAROVANIE:** Emisie hluku sa môžu počas skutočného používania elektrického nástroja odlišovať od deklarovanej hodnoty, a to v závislosti od spôsobov používania náradia a najmä typu spracúvaného obrobku.

**VAROVANIE:** Nezabudnite označiť bezpečnostné opatrenia s cieľom chrániť obsluhu, a to tie, ktoré sa zakladajú na odhade vystavenia účinkom v rámci reálnych podmienok používania (berúc do úvahy všetky súčasti prevádzkového cyklu, ako sú doby, kedy je nástroj vypnutý a kedy beží bez zaťaženia, ako dodatok k dobe zapnutia).

## Vibrácie

Celková hodnota vibrácií (trojosový vektorový súčet) určená podľa štandardu EN62841-2-5:  
Režim činnosti: rezanie dreva  
Emisie vibrácií ( $a_{h,W}$ ): 2,5 m/s<sup>2</sup> alebo menej  
Odchýlka (K): 1,5 m/s<sup>2</sup>

**POZNÁMKA:** Deklarovaná celková hodnota vibrácií bola meraná podľa štandardnej skúšobnej metódy a môže sa použiť na porovnanie jedného nástroja s druhým.

**POZNÁMKA:** Deklarovaná celková hodnota vibrácií sa môže použiť aj na predbežné posúdenie vystavenia ich účinkom.



**VAROVANIE:** Emisie vibrácií sa môžu počas skutočného používania elektrického nástroja odlišovať od deklarovanej hodnoty, a to v závislosti od spôsobov používania náradia a najmä typu spracúvaného obrobku.

**VAROVANIE:** Nezabudnite označiť bezpečnostné opatrenia s cieľom chrániť obsluhu, a to tie, ktoré sa zakladajú na odhade vystavenia účinkom v rámci reálnych podmienok používania (berúc do úvahy všetky súčasti prevádzkového cyklu, ako sú doby, kedy je nástroj vypnutý a kedy beží bez zaťaženia, ako dodatok k dobe zapnutia).

## Vyhlasenie o zhode ES

### Len pre krajiny Európy

Vyhlasenie o zhode ES sa nachádza v prílohe A tohto návodu na obsluhu.

## BEZPEČNOSTNÉ VAROVANIA

### Všeobecné bezpečnostné predpisy pre elektrické nástroje

**VAROVANIE:** Preštudujte si všetky bezpečnostné varovania, pokyny, vyobrazenia a technické špecifikácie určené pre tento elektrický nástroj. Pri nedodržaní všetkých nižšie uvedených pokynov môže dôjsť k úrazu elektrickým prúdom, požiaru alebo vážnemu zraneniu.

## Všetky výstrahy a pokyny si odložte pre prípad potreby v budúcnosti.

Pojem „elektrický nástroj“ sa vo výstrahách vzťahuje na elektricky napájané elektrické nástroje (s káblom) alebo batériu napájané elektrické nástroje (bez kábla).

### Bezpečnostné varovania pre akumulátorovú kotúčovú pilu

#### Postupy rezania

- NEBEZPEČENSTVO:** Ruky držte mimo oblasti rezania a čepele. Druhou ruku držte na pomocnej rúčke alebo kryte motora. Ak držíte pilu oboma rukami, neporežete si ich čepeľou.
- Nesiahajte pod obrobok. Kryt vás neochráni pred čepeľou pod obrobkom.
- Hĺbku rezania prispôbte hrúbke obrobku. Čepeľ by nemala presahovať pod obrobok o viac ako celý zub čepele.
- Počas rezania nikdy nedržte obrobok rukami ani krížom cez nohu. Zaisťte obrobok k stabilnému povrchu. Je dôležité obrobok správne podprieť, aby sa minimalizovalo vystavenie tela, riziko zovretia ostria alebo strata kontroly.

► Obr.1

- Pri práci, pri ktorej by sa rezný nástroj mohol dostať do kontaktu so skrytým vedením, držte elektrický nástroj za izolované úchopné povrchy. Kontakt s vodičom pod napätím môže spôsobiť vedenie prúdu nechránenými kovovými časťami elektrického náradia a ohroziť tak obsluhu zásahom elektrickým prúdom.
- Pri pozdĺžnom rezaní vždy používajte vodidlo na pozdĺžne rezanie alebo vodiaci prvok s rovným okrajom. Takto vylepšíte presnosť rezu a znížite možnosť zaseknutia čepele.
- Vždy používajte čepele so správnou veľkosťou a tvarom otvorov na hriadieli (diamantový alebo okrúhly). Čepele, ktoré nezodpovedajú spôsobu uchytenia na pile, sa budú pohybovať excentricky a spôsobia stratu kontroly.
- Nikdy nepoužívajte poškodené alebo nesprávne podložky alebo maticové skrutky na čepeľ. Podložky alebo maticové skrutky na čepeľ boli špeciálne vyrobené pre vašu pilu na dosiahnutie optimálneho výkonu a bezpečnej prevádzky.

#### Príčiny spätného nárazu a príslušné varovania

- spätný náraz je náhla reakcia na zovretú, zaseknutú alebo vyosenú čepeľ píly, ktorá spôsobí nekontrolované nadvihnutie a odhodenie píly od obrobku smerom k obsluhujúcej osobe;
- keď sa čepeľ zovrie alebo tesne zablokuje zvierajúcim sa zárezom, čepeľ stratí rýchlosť a reakcia motora rýchlo odrazí jednotku dozadu smerom k obsluhujúcej osobe;
- ak sa čepeľ v reze skrúti alebo vyosí, zuby na zadnom okraji čepele sa môžu zarezat' do horného povrchu dreva a spôsobiť zdvihnutie čepele zo zárezu a dozadu smerom k obsluhujúcej osobe.

Spätný náraz je výsledok nesprávneho používania píly a/alebo nesprávnych prevádzkových postupov alebo podmienok a možno sa mu vyhnúť vykonaním príslušných protipatrení uvedených nižšie.

- Pilu držte pevne oboma rukami a ramená držte tak, aby ste odolali sile spätného nárazu. Postavte sa k čepeľi z boku, nestojte v línii čepele. Spätný náraz by mohol spôsobiť odskočenie píly dozadu, ale spätý náraz môže obsluhujúca osoba zvládnuť, ak vykoná príslušné protipatrenia.
- Keď sa čepeľ zovrie alebo keď z nejakého dôvodu prerušíte rezanie, uvoľnite spínač a držte pilu bez pohnutia v materiáli, kým sa čepeľ úplne nezastaví. Nikdy nevyberajte pilu zo zárezu ani ju neťahajte dozadu, kým sa čepeľ píly pohybuje, inak môže dôjsť k spätnému nárazu. Zisťte a vykonajte nápravné kroky a eliminujte príčinu zvierania čepele.
- Pri opätovnom spúšťaní píly v obrobku vycenťte čepeľ píly v záreze a skontrolujte, či zuby píly nie sú vnorené do materiálu. Ak je čepeľ píly zovretá, môže sa pri opätovnom spustení píly vysunúť zo zárezu alebo odraziť od obrobku.
- Veľké panely podoprite, aby sa minimalizovalo riziko zovretia alebo spätného nárazu čepele. Veľké panely sa môžu prehýbať pod vlastnou váhou. Podpery treba umiestniť pod panel na oboch stranách do blízkosti línie rezu a do blízkosti okraja panela.

► Obr.2

► Obr.3

5. **Nepoužívajte tupé alebo poškodené čepele.** Nenaostrené alebo nesprávne pripravené čepele vytvárajú úzky zárez, čo spôsobuje nadmerné trenie, zovretie čepele a spätný náraz.
  6. **Zaist'ovacie páčky nastavenia hĺbky a skosenia čepele musia byť pred rezaním utiahnuté a zaistené.** Pohyb nastavenia čepele počas rezania môže viesť k zovretiu a spätnému nárazu.
  7. **Pri rezaní do existujúcich stien alebo iných zakrytých plôch venujte práci maximálnu pozornosť.** Prenikajúca čepeľ môže prerezať predmety s dôsledkom spätného nárazu.
  8. **VŽDY DRŽTE nástroj pevne oboma rukami. NIKDY nedávajte ruku, nohu či ľubovoľnú časť tela pod základňu nástroja alebo za pílu, najmä pri vykonávaní priečnych rezov.** Ak dôjde k spätnému nárazu, píla by mohla ľahko odskočiť dozadu na vašu ruku, čo by mohlo spôsobiť vážne poranenie.
- **Obr.4**
9. **Nikdy pílu nepritláčajte nasilu. Pílu tlačte dopredu takou rýchlosťou, aby ostrie rezalo bez spomalenia.** Prítlačaním píly vznikne nerovnomerný rez, zníži sa presnosť a hrozí možný spätný náraz.

#### Funkcia krytu

1. **Pred každým použitím skontrolujte, či sa spodný kryt správne uzavrel. Pílu nepoužívajte, ak sa spodný kryt nepohybuje voľne a okamžite sa neuzavrie. Nikdy neupínajte ani neupevňujte spodný kryt v otvorenej polohe.** Ak vám píla náhodou spadne, spodný kryt sa môže ohnúť. Nadvihnite spodný kryt pomocou zaťahovacej rúčky a skontrolujte, či sa pohybuje voľne a nedotýka sa ostria ani žiadnej inej časti vo všetkých rezných uhloch a hĺbkach.
  2. **Skontrolujte funkčnosť pružiny spodného krytu. Ak kryt a pružina nefungujú správne, pred použitím ich treba opraviť.** Spodný kryt sa môže pohybovať pomaly, keď má poškodené časti, je zalepený nahromadenými zvyškami alebo nánosmi.
  3. **Spodný kryt treba zatiahnuť manuálne len pri špeciálnych rezoch, ako sú „zapichovacie rezy“ a „zložené rezy“.** Nadvihnite spodný kryt pomocou zaťahovacej rúčky a pri preniknutí čepele do materiálu kryt uvoľnite. Pri všetkých ostatných spôsoboch pílenia by sa mal spodný kryt pohybovať automaticky.
  4. **Pred tým, ako pílu položíte na stôl alebo dlážku, skontrolujte, či spodný kryt zakrýva ostrie.** Nechránená čepeľ v pohybe spôsobí spätný pohyb píly, pričom prereže všetko, čo jej bude stáť v ceste. Majte na pamäti, že čepeľ trvá istý čas, kým sa po uvoľnení spínača zastaví.
  5. **Ak chcete skontrolovať spodný kryt, otvorte ho rukou, potom ho uvoľnite a sledujte, ako sa uzavrie. Skontrolujte aj to, či sa zaťahovacia rúčka nedotýka puzdra nástroja.** Obnažené ostrie je **VELMI NEBEZPEČNÉ** a môže zapríčiniť vážne zranenie.
- **Obr.5**
5. **Pred odťahnutím nástroja po vykonaní rezu vždy počkajte, kým sa dolný kryt zatvorí a čepeľ sa úplne zastaví.**
  6. **Nikdy sa nesnažte píliť s kotúčovou pilou uchytenuou vo zveráku spodnou časťou nahor. Takýto postup je extrémne nebezpečný a môže spôsobiť závažné nehody.**
- **Obr.6**
7. **Niektoré materiály obsahujú chemikálie, ktoré môžu byť jedovaté. Dávajte pozor, aby ste ich nevdychovali ani sa ich nedotýkali. Prečítajte si bezpečnostné informácie dodávateľa materiálu.**
  8. **Čepele nezastavujte bočným tlakom na čepeľ píly.**
  9. **Nepoužívajte žiadne brúsne kotúče.**
  10. **Používajte čepeľ píly len s takým priemerom, aký je vyznačený na nástroji alebo aký je uvedený v návode.** Používanie čepele nesprávnej veľkosti môže negatívne ovplyvniť správnu ochranu čepele alebo činnosť krytu, v dôsledku čoho hrozí zranenie osôb.
  11. **Čepeľ udržiavajte ostrú a čistú.** Guma a živica zatvrdnú na čepeľi spomaľujú pílu a zvyšujú riziko spätného nárazu. Čepeľ udržiavajte čistú – vyberte ju z nástroja a potom ju vyčistite látkou na odstránenie gumy a živice, horúcou vodou alebo protirejom. Nikdy nepoužívajte benzín.
  12. **Pri práci s nástrojom používajte protiprachovú masku a ochranu sluchu.**
  13. **Vždy používajte čepeľ píly určenú na rezanie materiálu, ktorý idete rezať.**
  14. **Používajte len čepele píly s vyznačenou maximálnou rýchlosťou, ktorá sa rovná alebo je vyššia ako rýchlosť vyznačená na nástroji.**
  15. **Len pre krajiny Európy Vždy používajte čepeľ, ktorá zodpovedá norme EN847-1.**
  16. **Nástroj a súčasti položte na rovný a stabilný povrch. Inak môžu nástroj alebo súčasti spadnúť a spôsobiť zranenie.**

## TIETO POKYNY USCHOVAJTE.

**VAROVANIE:** NIKDY nepripustíte, aby seba-vedomie a dobrá znalosť výrobku (získané opakovaným používaním) nahradili presné dodržiavanie bezpečnostných pravidiel pri používaní náradia. **NESPRÁVNE POUŽÍVANIE** alebo nedodržiavanie bezpečnostných zásad uvedených v tomto návode môže viesť k vážnemu zraneniu.

#### Doplňujúce bezpečnostné varovania

1. **Pri rezaní vlhkého dreva, tlakom upraveného stavebného dreva alebo dreva obsahujúceho hrce postupujte mimoriadne opatrne.** Zachovávajúce plynulý posuv nástroja bez znižovania rýchlosti čepele, aby ste predišli prehrievaniu hrotov čepele.

## Dôležité bezpečnostné a prevádzkové pokyny pre akumulátor

1. Pred použitím akumulátora si prečítajte všetky pokyny a výstažné označenia na (1) nabíjačke akumulátorov, (2) akumulátore a (3) produkte používajúcom akumulátor.
2. Akumulátor nerozoberajte ani neupravujte. Môže to viesť k požiaru, nadmernému teplu alebo výbuchu.
3. Ak sa doba prevádzky príliš skráti, ihneď prerušte prácu. Môže nastať riziko prehriatia, možných popálením či dokonca explózie.
4. V prípade zasiahnutia oči elektrolytom ich vypláchnite čistou vodou a okamžite vyhľadajte lekársku pomoc. Môže dôjsť k strate zraku.
5. Akumulátor neskratujte:
  - (1) Nedotýkajte sa konektorov žiadnym vodivým materiálom.
  - (2) Neskladujte akumulátor v obale s inými kovovými predmetmi, napríklad klincami, mincami a pod.
  - (3) Akumulátor nevystavujte vode ani dažďu. Skrat akumulátora môže spôsobiť veľký tok prúdu, prehriatie, možné popáleniny či dokonca poruchu.
6. Nástroj ani akumulátor neskladujte a nepoužívajte na miestach s teplotou presahujúcou 50 °C (122 °F).
7. Akumulátor nespálujte, ani keď je vážne poškodený alebo úplne opotrebovaný. Akumulátor môže v ohni explodovať.
8. Akumulátor neprepichujte, neprerezávajte, nedrvte, nehádzte ani ho nenarúšajte údermi o tvrdé predmety. Môže to viesť k požiaru, nadmernej teplu alebo výbuchu.
9. Nepoužívajte poškodený akumulátor.
10. Litium-iónové akumulátory, ktoré sú súčasťou u náradia, podliehajú požiadavkám legislatívy o nebezpečnom tovare.

V prípade obchodnej prepravy, napr. dodanie tretími stranami či špeditériami, sa musia dodržiavať špeciálne požiadavky na zabalenie a označenie. Pred prípravou položky na odoslanie sa vyžaduje konzultácia s odborníkom na nebezpečný materiál. Taktiež treba dodržiavať potenciálne podrobnejšie predpisy príslušnej krajiny. Prelepte alebo zakryte otvorené kontakty a zabalte akumulátor tak, aby sa v balíku nemohol voľne pohybovať.
11. Akumulátor pri likvidácii odstráňte z nástroja a zlikvidujte ho na bezpečnom mieste. Akumulátor zlikvidujte v súlade s miestnymi nariadeniami.
12. Akumulátory používajte iba s výrobkami uvedenými spoločnosťou Makita. Inštalácia akumulátorov do nevhodujúcich výrobkov môže spôsobiť požiar, nadmerné teplo, výbuch alebo únik elektrolytov.
13. Ak sa nástroj dlhší čas nepoužíva, odstráňte z neho akumulátor.
14. Akumulátor sa môže počas používania a po použití zohriať, čo môže spôsobiť popáleniny alebo popáleniny aj pri relatívne nízkej teplote. Pri manipulácii s horúcimi akumulátormi dávajte pozor.

15. Nedotýkajte sa svorky nástroja ihneď po použití, keďže sa mohla zohriať dostatočne na to, aby spôsobila popáleniny.
16. Zabráňte zachytávaniu triesok, prachu alebo zeminy na svorkách, otvoroch a drážkach akumulátora. Môže to viesť k slabému výkonu alebo poškodeniu nástroja alebo akumulátora.
17. Pokiaľ nástroj nepodporuje používanie v blízkosti vysokonapäťových elektrických vedení, nepoužívajte akumulátor blízko vysokonapäťových elektrických vedení. Môže to viesť k nesprávnemu fungovaniu alebo poškodeniu nástroja alebo akumulátora.
18. Akumulátor držte mimo dosahu detí.

## TIETO POKYNY USCHOVAJTE.

**⚠ POZOR:** Používajte len originálne akumulátory od spoločnosti Makita. Používanie batérií, ktoré nie sú od spoločnosti Makita, alebo upravených batérií môže spôsobiť výbuch batérie a následný požiar, zranenie osôb alebo poškodeniu majetku. Následkom bude aj zrušenie záruky od spoločnosti Makita na nástroj a nabíjačku od spoločnosti Makita.

## Rady na udržanie maximálnej životnosti akumulátora

1. Akumulátor nabite ešte predtým, ako sa úplne vybije. Vždy prerušte prácu s nástrojom a nabite akumulátor, keď spozorujete nižší výkon nástroja.
2. Nikdy nenabíjate plne nabitý akumulátor. Prebíjanie skracuje životnosť akumulátora.
3. Akumulátor nabíjajte pri izbovej teplote 10 °C – 40 °C (50 °F – 104 °F). Pred nabíjaním nechajte horúci akumulátor vychladnúť.
4. Keď akumulátor nepoužívate, vyberte ho z nástroja alebo nabíjačky.
5. Litium-iónový akumulátor nabite, ak ste ho nepoužívali dlhšie ako šesť mesiacov.

## Dôležité bezpečnostné pokyny pre bezdrôtovú jednotku

1. Bezdrôtovú jednotku nerozoberajte ani s ňou neodborne nemanipulujte.
2. Bezdrôtovú jednotku držte mimo dosahu malých detí. V prípade jej náhodného prehltnutia okamžite vyhľadajte lekársku pomoc.
3. Bezdrôtovú jednotku používajte len spolu s náradím Matika.
4. Bezdrôtovú jednotku nevystavujte účinkom dažďa ani iného vlhkého prostredia.
5. Bezdrôtovú jednotku nepoužívajte na miestach, kde teplota prekračuje 50 °C.
6. Bezdrôtovú jednotku nepoužívajte na miestach, kde sa nachádzajú zdravotnícke prístroje, akými sú napríklad kardiostimulátor.
7. Bezdrôtovú jednotku nepoužívajte na miestach, kde sa nachádzajú automatizované zariadenia. V opačnom prípade sa v automatizovaných zariadeniach môže vyskytnúť porucha alebo chyba.

8. **Bezdrôtovú jednotku nepoužívajte na miestach s vysokou teplotou alebo na miestach, kde dochádza k vytváraniu statickej elektriny alebo elektrického šumu.**
9. **Bezdrôtová jednotka môže vytvárať elektromagnetické polia (EMF), ktoré však nie sú pre používateľa škodlivé.**
10. **Bezdrôtová jednotka je presné zariadenie. Bezdrôtovú jednotku chráňte pred pádom a nevystavuje ju nárazom.**
11. **Koncovky bezdrôtovej jednotky sa nedotýkajte holými rukami ani kovovými materiálmi.**
12. **Pred inštaláciou bezdrôtovej jednotky do výrobku vždy vyberte akumulátor.**
13. **Pri otváraní krytu zásuvky sa vyhýbajte miestam, kde by do zásuvky mohol preniknúť prach alebo voda. Vstupný otvor zásuvky musí byť vždy čistý.**
14. **Bezdrôtovú jednotku vždy vkladajte v správnom smere.**
15. **Spúšťačie tlačidlo bezdrôtovej prevádzky na bezdrôtovej jednotke nestláčajte príliš silno, ani ho nestláčajte žiadnym predmetom s ostrou hranou.**
16. **Pred prevádzkou vždy uzavrite kryt zásuvky.**
17. **Bezdrôtovú jednotku nevyberajte zo zásuvky, kým prebieha napájanie nástroja. Ignorovanie tohto pokynu môže zapríčiniť poruchu bezdrôtovej jednotky.**
18. **Z bezdrôtovej jednotky neodstraňujte nálepku.**
19. **Na bezdrôtovú jednotku nelepte žiadne nálepky.**
20. **Bezdrôtovú jednotku nenechávajte na mieste, kde dochádza k vytváraniu statickej elektriny alebo elektrického šumu.**
21. **Bezdrôtovú jednotku nevystavujte vysokým teplotám, nenechávajte ju napríklad v aute stojacom na slnku.**
22. **Bezdrôtovú jednotku nenechávajte na prašnom mieste ani na mieste, kde by mohlo dôjsť k vytváraniu korozívneho plynu.**
23. **V dôsledku náhle zmeny teploty sa bezdrôtová jednotka môže zarosiť. Bezdrôtovú jednotku nepoužívajte, kým nedôjde k úplnému vyschnutiu takéhoto zarosenia.**
24. **Pri čistení bezdrôtovú jednotku jemne utrite suchou mäkkou handričkou. Nepoužívajte benzín, riedidlo, vodivé mazivo ani iné podobné prípravky.**
25. **Bezdrôtovú jednotku uložte v dodávanom puzdre alebo nádobe, v ktorej nedochádza k vytváraniu statického elektrického náboja.**
26. **Do zásuvky nástroja nevkladajte žiadne iné zariadenia okrem bezdrôtovej jednotky Matika.**
27. **Nástroj nepoužívajte, ak je kryt bezdrôtovej jednotky poškodený. V prípade, že do zásuvky prenikne voda, prach alebo nečistoty, môže dôjsť k poruche.**
28. **Kryt zásuvky neťahajte ani neskrúcajte viac, než je nutné. V prípade, že sa kryt oddelí od nástroja, vráťte ho na miesto.**
29. **V prípade straty alebo poškodenia kryt vymeňte.**

## TIETO POKYNY USCHOVAJTE.

## OPIS FUNKCIÍ

**⚠️ POZOR:** Pred úpravou alebo kontrolou funkčnosti nástroja vždy skontrolujte, či je nástroj vypnutý a akumulátor je vybratý.

## Inštalácia alebo demontáž akumulátora

**⚠️ POZOR:** Pred inštaláciou alebo vybratím akumulátora nástroj vždy vypnite.

**⚠️ POZOR:** Pri inštalovaní a vyberaní akumulátora pevne uchopíte nástroj a akumulátor. Ak nástroj a akumulátor pevne neuchopíte, môže to mať za následok vyšmyknutie z vašich rúk s dôsledkom poškodenia nástroja a akumulátora, ako aj osobných poranení.

**⚠️ POZOR:** V prípade kotúčovej píly nepoužívajte adaptér akumulátora. Kábel adaptéra akumulátora môže brániť prevádzke a spôsobíť zranenie osôb.

► **Obr.7:** 1. Červený indikátor 2. Tlačidlo 3. Akumulátor

Ak chcete vybrať akumulátor, vysuňte ho z nástroja, pričom posuňte tlačidlo na prednej strane akumulátora.

Akumulátor vložte tak, že jazýček akumulátora zarovnáte s drážkou v kryte a zasuniete ho na miesto. Zatláčte ho úplne, kým zakliknutím nezapadne na miesto. Ak vidíte červený indikátor na hornej strane tlačidla, nie je správne zapadnutý.

**⚠️ POZOR:** Akumulátor vždy nainštalujte úplne, až kým nie je vidieť červený indikátor. V opačnom prípade môže náhodne vypadnúť z nástroja a ublížiť vám alebo osobám v okolí.

**⚠️ POZOR:** Pri inštalovaní akumulátora nepoužívajte silu. Ak sa akumulátor nedá zasunúť ľahko, nevkladáte ho správne.

## Systém na ochranu nástroja/akumulátora

Nástroj je vybavený systémom ochrany nástroja/akumulátora. Tento systém automaticky vypne napájanie motora s cieľom predĺžiť životnosť nástroja a akumulátora. Nástroj sa počas prevádzky automaticky zastaví v prípade, ak sa nástroj alebo akumulátor dostanú do jedného z nasledovných stavov. V niektorých stavoch sa rozsvietia indikátory.

## Ochrana proti preťaženiu

Keď sa nástroj/batéria používa spôsobom, ktorý spôsobuje odber neštandardne vysokého prúdu, zariadenie sa automaticky vypne. V tejto situácii vypnite nástroj a ukončíte prácu, ktorá spôsobuje jeho preťažovanie. Potom nástroj zapnutím znova spustíte.

## Ochrana pred prehrievaním

Keď sa nástroj alebo akumulátor prehreje, nástroj sa automaticky zastaví. V tejto situácii nechajte nástroj pred jeho opätovným spustením vychladnúť.

## Ochrana pred nadmerným vybitím

Keď sa kapacita akumulátora zníži, nástroj sa automaticky zastaví. Ak produkt nebude fungovať ani po použití vypínača, z nástroja vyberte akumulátory a nabite ich.





## Elektronické funkcie

Nástroje vybavené elektronikou sa ľahko používajú vďaka nasledovnej funkcii (funkciám).

### Funkcia chladkého štartu

Nástroj sa plynule spustí, pretože je potlačený spúšťací náraz.

## ZOSTAVENIE

**⚠️ POZOR:** Pred vykonaním akejkoľvek práce na nástroji vždy skontrolujte, či je nástroj vypnutý a akumulátor je vybrať.

### Uloženie zahnutého kľúča

Keď zahnutý kľúč nepoužívate, odložte ho podľa znázornenia na obrázku, aby sa nestratil.

► **Obr.15:** 1. Zahnutý kľúč

### Demontáž alebo montáž čepele kotúčovej píly

**⚠️ POZOR:** Uistite sa, že je čepeľ kotúčovej píly vložená tak, aby zuby smerovali k prednej časti nástroja.

**⚠️ POZOR:** Na vloženie alebo vybratie čepele kotúčovej píly používajte výhradne zahnutý kľúč spoločnosti Makita.

Pri demontáži čepele kotúčovej píly úplne stlačte poistku hriadeľa tak, aby sa čepeľ kotúčovej píly nemohla otáčať a zahnutým kľúčom uvoľníte šesťhrannú maticovú skrutku. Potom odstráňte šesťhrannú maticovú skrutku, vonkajšiu prírubu, čepeľ kotúčovej píly a prstenc (v závislosti od krajiny).

► **Obr.16:** 1. Poistka hriadeľa 2. Zahnutý kľúč 3. Povolit' 4. Utiahnúť

### Pre nástroj bez prstenca

► **Obr.17:** 1. Šesťhranná skrutka 2. Vonkajšia prírubu 3. Čepeľ kotúčovej píly 4. Šípka na čepeli kotúčovej píly 5. Vnútorňa prírubu 6. Šípka na nástroji

### Pre nástroj s prstencom

► **Obr.18:** 1. Šesťhranná skrutka 2. Vonkajšia prírubu 3. Čepeľ kotúčovej píly 4. Šípka na čepeli kotúčovej píly 5. Prstenc 6. Vnútorňa prírubu 7. Šípka na nástroji

Pri montáži čepele kotúčovej píly vykonajte kroky demontáže v opačnom poradí.

Zarovnajte smer šípky na čepeli kotúčovej píly so šípkou na nástroji.

### Pre náradie s vnútornou prírubou na čepeľ píly s priemerom otvoru iným ako 15,88 mm

Vnútorňa prírubu má výčnelok určitého priemeru na svojej jednej strane a výčnelok iného priemeru na druhej strane. Vyberte správnu stranu, na ktorej výčnelok dobre zapadne do otvoru na čepeli kotúčovej píly. Namontujte vnútornú prírubu na montážny hriadeľ, a to tak, aby správna strana s výčnelkom na vnútornej prírubu smerovala von; následne nasadte čepeľ kotúčovej píly a vonkajšiu prírubu.

► **Obr.19:** 1. Montážny hriadeľ 2. Vnútorňa prírubu 3. Čepeľ kotúčovej píly 4. Vonkajšia prírubu 5. Šesťhranná skrutka

**⚠️ VAROVANIE:** SKRUTKU SO ŠESTĽHRANNOU HLAVOU PEVNE UTIAHNITE PROTI SMERU HODINOVÝCH RUČÍČIEK. Skrutku nedotahujte nadmernou silou. Zošmyknutie ruky zo šesťhranného kľúča môže spôsobiť zranenie.

**⚠️ VAROVANIE:** Dávajte pozor, aby výčnelok „a“ na vnútornej prírubu smerujúci von presne dosadol do otvoru „a“ na čepeli píly. Namontovanie čepele kotúčovej píly na nesprávnu stranu môže mať za následok nebezpečné vibrácie.

### Pre náradie s vnútornou prírubou na čepeľ píly s priemerom otvoru 15,88 mm (v závislosti od danej krajiny)

Vnútorňa prírubu založte na montážny hriadeľ tak, aby jej strana s preliačinou smerovala von, a následne nasadte čepeľ píly (v prípade potreby nasadte prstenc), vonkajšiu prírubu a šesťhrannú skrutku.

### Pre nástroj bez prstenca

► **Obr.20:** 1. Montážny hriadeľ 2. Vnútorňa prírubu 3. Čepeľ kotúčovej píly 4. Vonkajšia prírubu 5. Šesťhranná skrutka

### Pre nástroj s prstencom

► **Obr.21:** 1. Montážny hriadeľ 2. Vnútorňa prírubu 3. Čepeľ kotúčovej píly 4. Vonkajšia prírubu 5. Šesťhranná skrutka 6. Prstenc

**⚠️ VAROVANIE:** SKRUTKU SO ŠESTĽHRANNOU HLAVOU PEVNE UTIAHNITE PROTI SMERU HODINOVÝCH RUČÍČIEK. Skrutku nedotahujte nadmernou silou. Zošmyknutie ruky zo šesťhranného kľúča môže spôsobiť zranenie.

**⚠️ VAROVANIE:** V prípade, že si montáž čepele kotúčovej píly vyžaduje nasadenie prstenca na hriadeľ, vždy sa presvedčte, že je medzi vnútornou a vonkajšou prírubou nasadený správny prstenc podľa montážneho otvoru na čepeli, ktorú chcete použiť. Použitie nesprávneho prstenca do otvoru na hriadeľ môže zapríčiniť nesprávne namontovanie čepele kotúčovej píly a spôsobiť pohyb čepele a silné vibrácie, čo môže viesť k strate kontroly nad nástrojom počas práce a k vážnym zraneniam osôb.

### Čistenie chrániča čepele

Pri výmene čepele kotúčovej píly je potrebné vyčistiť horný aj spodný kryt čepele od nahromadených pilín, ako sa uvádza v časti o údržbe. Okrem toho je potrebné pred každým použitím skontrolovať funkčnosť spodného krytu.

### Inštalácia bočnej rukoväti (držadla)

**⚠️ POZOR:** Pred použitím sa vždy uistite, že bočná rukoväť je pevne nainštalovaná.

**⚠️ POZOR:** Odstráňte bočnú rukoväť (držadlo) pri používaní skoseného rezania. Ak používate skosené rezanie s bočnou rukoväťou (držadlom), môže sa dotknúť obrobku alebo vášho tela a spôsobiť spätný náraz alebo poranenie.

**⚠️ POZOR:** Dávajte pozor, aby ste si neudreli prsty o bočnú rukoväť (držadlo) pri otváraní/zatváraní spodného krytu.



Bočná rukoväť (držadlo) pomáha pri držaní a prenášaní nástroja. Na inštaláciu bočnej rukoväti (držadla) bezpečne priskrutkujte bočnú rukoväť na nástroj tak, ako je to znázornené na obrázku.

► **Obr.22:** 1. Bočná rukoväť (držadlo)

## Pripojenie vysávača

### Voliteľné príslušenstvo

**▲POZOR:** Dávajte pozor, aby sa hadica nezamotala do obrobku. Môže dôjsť k vážnemu poraneniu v dôsledku spätného nárazu.

**POZNÁMKA:** Ak chcete predísť strate gumového uzáveru, uložte ho v prednej časti nástroja.

**POZNÁMKA:** Keď vysávač nepoužívate, gumový uzáver pripojte k prachovej hubici.

Z prachovej hubice vyberte gumový uzáver a hadicu vysávača pripojte podľa obrázka.

► **Obr.23:** 1. Gumový uzáver

Pripojte vysávač Makita k nástroju.

► **Obr.24:** 1. Gumový uzáver 2. Vysávač 3. Hadica 4. Prachová hubica

## PREVÁDZKA

Tento nástroj je určený iba na rezanie produktov z dreva. Pozrite sa na našu internetovú stránku alebo kontaktujte svojho miestneho predajcu značky Makita pre informácie o správnych čepeliach kotúčovej píly na rezanie vami zvoleného materiálu.

### Kontrola funkcie chrániča čepele

Nastavte uhol skosenia na 0° a potom ručne zasuňte spodný kryt na koniec a uvoľnite ho. Dolný kryt funguje správne, ak;

- je zasunutý nad základňou bez akejkoľvek prekážky a;
- automaticky sa vracia a dotýka sa zarážky.

► **Obr.25:** 1. Vrchný kryt 2. Spodný kryt 3. Základňa 4. Zarážka 5. Otvoriť 6. Zatvoriť

Ak spodný kryt nefunguje správne, skontrolujte, či sa vo vnútri vrchného a spodného krytu nenahromadili piliny. Ak spodný kryt nefunguje správne ani po odstránení prachu, nechajte nástroj opraviť v servisnom stredisku spoločnosti Makita.

**▲POZOR:** Počas rezania noste ochrannú masku.

**▲POZOR:** Nástroj pomaly posúvajte vpred v rovnej línii. Tlačením alebo krútením nástroja sa prehreje motor a dôjde k nebezpečným spätným nárazom, ktoré môžu spôsobiť vážne zranenie.

**POZNÁMKA:** Pokiaľ je teplota akumulátora nízka, náradie nemusí pracovať na plný výkon. Vtedy náradie na nejaký čas používajte napríklad na rezanie s nízkym zaťažením, až kým sa akumulátor nezohreje na izbovú teplotu. Následne bude náradie fungovať na plný výkon.

### ► Obr.26

Nástroj držte pevne. Na nástroji je predné držadlo a zadná rukoväť. Nástroj sa drží najlepšie za obidve držadlá. Ak pílu držíte obidvoma rukami, nemôžete si ich porazať. Položte základňu na obrobok, aby pri rezaní čepeľ kotúčovej píly o nič nezavadila. Potom zapnite náradie a počkajte, kým čepeľ kotúčovej píly nedosiahne maximálne otáčky. Teraz nástroj len posúvajte vpred po povrchu obrobku, postupujte plynule až do skončenia pílenia.

Čistý rez dosiahnete, keď bude línia rezu priama a rýchlosť rezu stabilná. Ak sa rez odchyľuje od vašej predpokladanej línie rezu, nesnažte sa otáčať alebo tlačiť náradie naspäť do línie rezu. Čepeľ kotúčovej píly sa môže zadrieť, zapríčiniť nebezpečný spätný náraz a prípadné vážne zranenie. Uvoľnite spínač, počkajte, kým sa čepeľ zastaví a potom odiahnite náradie. Znova nasmerujte náradie na novú líniu rezu a začnite rezať. Snažte sa vyhnúť polohám, v ktorých bude obsluha vystavená trieskam a pilinám odletujúcim od píly. Používajte ochranu očí, aby ste predišli zraneniu.

## Háčik

**▲POZOR:** Ak chcete náradie zavesiť na hák, vždy z neho vyberte akumulátor.

**▲POZOR:** Náradie nikdy nevešajte na vysoké miesta ani na povrchy, kde môže dôjsť k pádu náradia v dôsledku straty stability. V opačnom prípade môže dôjsť k pádu a vážnemu zraneniu.

**▲POZOR:** Nástroj neťahajte smerom nadol, keď je zavesený na háku.

**▲POZOR:** Diely na zavesenie/montáž používajte iba na určené účely. Použitie na iné ako určené účely môže spôsobiť nehodu alebo úraz.

**▲POZOR:** Nikdy nevešajte nástroj na háčik, ak je háčik poškodený. V opačnom prípade môže dôjsť k pádu a vážnemu zraneniu.

Háčik je praktický na dočasné zavesenie nástroja. Ak chcete použiť háčik, jednoducho ho nadvihnite a počkajte, kým nezapadne do otvorenej polohy. Keď sa nepoužíva, vždy háčik zaistíte v zatvorenej polohe.

► **Obr.27:** 1. Háčik 2. Otvorená poloha 3. Zatvorená poloha

► **Obr.28**

## Vodidlo na pozdĺžne rezanie (vodiace právtko)

### Voliteľné príslušenstvo

Pomocou praktického vodidla na pozdĺžne rezanie môžete robiť výnimočne presné priame rezy. Jednoducho posuňte vodidlo tesne k strane obrobku a skrutkou na prednej strane stola ho zaistíte v príslušnej polohe. Pomocou vodidla je tiež možné urobiť opakované rezy s jednotnou šírkou.

► **Obr.29:** 1. Vodidlo na pozdĺžne rezanie (vodiace právtko) 2. Uťahovacia skrutka

# FUNKCIA BEZDRÔTOVÉHO SPÚŠŤANIA

## Využitie funkcie bezdrôtového spúšťania

Funkcia bezdrôtového spúšťania umožňuje vykonávať čistú a pohodlnú prevádzku. Pripojením podporovaného vysávača k nástroju môžete vysávač prevádzkovať automaticky spolu s aktiváciou spínača nástroja.

► **Obr.30**

Na používanie funkcie bezdrôtového spúšťania si pripravte nasledujúce položky:

- bezdrôtovú jednotku (voliteľné príslušenstvo),
- vysávač s podporou funkcie bezdrôtového spúšťania.

Nasleduje prehľad nastavení funkcie bezdrôtového spúšťania. V každej kapitole nájdete podrobný postup.

1. Inštalácia bezdrôtovej jednotky
2. Registrácia nástroja v systéme vysávača
3. Spustenie funkcie bezdrôtového spúšťania

## Inštalácia bezdrôtovej jednotky

### Voliteľné príslušenstvo

**▲ POZOR:** Pri inštalácii bezdrôtovej jednotky umiestnite nástroj na rovný a pevný podklad.

**UPOZORNENIE:** Pred inštaláciou bezdrôtovej jednotky očistite prach a nečistoty z nástroja.

Prach a nečistoty môžu spôsobiť poruchu, keď preniknú do zásuvky bezdrôtovej jednotky.

**UPOZORNENIE:** Pred uchopením bezdrôtovej jednotky sa dotknite materiálu spôsobujúceho uvoľnenie statického náboja, napríklad kovovej časti nástroja, aby ste zabránili poruche v dôsledku statickej elektriny.

**UPOZORNENIE:** Pri inštalácii bezdrôtovej jednotky sa vždy presvedčte, či je bezdrôtová jednotka vložená v správnom smere a kryt sa úplne zavrel.

1. Kryt na nástroji otvorte podľa znázornenia na obrázku.

► **Obr.31:** 1. Kryt

2. Do zásuvky vložte bezdrôtovú jednotku a potom kryt zatvorte.

Pri vkladaní bezdrôtovej jednotky zarovnajete výčnelky s lôžkami zásuvky.

► **Obr.32:** 1. Bezdrôtová jednotka 2. Výčnelok 3. Kryt 4. Lôžko

Pri vyberaní bezdrôtovej jednotky pomaly otvorte kryt. Háčiky na zadnej strane krytu nadvihnú bezdrôtovú jednotku pri ťahaní za kryt.

► **Obr.33:** 1. Bezdrôtová jednotka 2. Háčik 3. Kryt

Po vybratí bezdrôtovú jednotku uložte do dodávaného puzdra alebo do nádoby, v ktorej nedochádza k vytváraniu statického elektrického náboja.

**UPOZORNENIE:** Pri vyberaní bezdrôtovej jednotky vždy využívajte háčiky na zadnej strane krytu. Ak háčiky bezdrôtovú jednotku nezachytia, kryt úplne zatvorte a znova ho pomaly otvorte.

## Registrácia nástroja v systéme vysávača

**POZNÁMKA:** Registrácia nástroja vyžaduje použitie vysávača značky Makita s podporou funkcie bezdrôtového spúšťania.

**POZNÁMKA:** Pre začiatkom registrácie nástroja ukončíte inštaláciu bezdrôtovej jednotky do nástroja.

**POZNÁMKA:** V priebehu registrácie nástroja nepoužívajte spúšťací spínač ani vypínač vysávača.

**POZNÁMKA:** Postupujte aj podľa pokynov v návode na používanie vysávača.

Ak chcete vysávač spúšťať súčasne s aktiváciou spínača, najprv dokončíte registráciu nástroja.

1. Vložte akumulátory do vysávača a nástroja.

2. Prepínač pohotovostného režimu vysávača nastavte do polohy „AUTO“.

► **Obr.34:** 1. Prepínač pohotovostného režimu

3. Na 3 sekundy stlačte spínač bezdrôtového spúšťania vysávača a počkajte, kým indikátor bezdrôtového spúšťania nebude blikať nazeleno. Potom rovnakým spôsobom stlačte tlačidlo bezdrôtového spúšťania nástroja.

► **Obr.35:** 1. Tlačidlo bezdrôtového spúšťania

2. Indikátor bezdrôtového spúšťania

V prípade úspešného prepojenia vysávača a nástroja sa indikátory bezdrôtového spúšťania na 2 sekundy rozsvietia nazeleno a potom začnú blikať modrou farbou.

**POZNÁMKA:** Indikátory bezdrôtového spúšťania prestanú blikať nazeleno po uplynutí 20 sekúnd. Tlačidlo bezdrôtového spúšťania na nástroji držte, kým indikátor bezdrôtového spúšťania vysávača bliká. Ak indikátor bezdrôtového spúšťania nebliká nazeleno, znova krátko podržte stlačené tlačidlo bezdrôtového spúšťania.

**POZNÁMKA:** Pri vykonávaní dvoch alebo viacerých registrácií nástrojov v rámci jedného vysávača, vykonávajte registrácie nástrojov postupne.

## Spustenie funkcie bezdrôtového spúšťania

**POZNÁMKA:** Pred bezdrôtovým spustením dokončíte registráciu nástroja v rámci vysávača.

**POZNÁMKA:** Postupujte aj podľa pokynov v návode na používanie vysávača.

Po registrácii nástroja v rámci vysávača sa vysávač automaticky spustí pri použití spínača nástroja.

1. Nainštalujte bezdrôtovú jednotku do nástroja.

2. K nástroju pripojte hadicu vysávača.

► **Obr.36**

3. Prepínač pohotovostného režimu vysávača nastavte do polohy „AUTO“.

► **Obr.37:** 1. Prepínač pohotovostného režimu

4. Krátko stlačte tlačidlo bezdrôtového spúšťania nástroja. Indikátor bezdrôtového spúšťania sa rozblíka modrou farbou.

► **Obr.38:** 1. Tlačidlo bezdrôtového spúšťania

2. Indikátor bezdrôtového spúšťania

5. Potiahnite spúšťací spínač nástroja. Skontrolujte, či sa vysávač spustí po potiahnutí spúšťacieho spínača.

Ak chcete zastaviť bezdrôtové spúšťanie vysávača, stlačte tlačidlo bezdrôtového spúšťania na nástroji.

**POZNÁMKA:** Indikátor bezdrôtového spúšťania na nástroji prestane blikať namodro pri nečinnosti nástroja trvajúcej 2 hodiny. V takomto prípade nastavte prepínač pohotovostného režimu vysávača do polohy „AUTO“ a znova stlačte tlačidlo bezdrôtového spúšťania na nástroji.

**POZNÁMKA:** Vysávač sa spúšťa/zastavuje s oneskorením. Pri zisťovaní stlačenia spínača nástroja v rámci vysávača dochádza k oneskoreniu.


**POZNÁMKA:** Dosah vysielača bezdrôtovej jednotky sa môže líšiť v závislosti od umiestnenia a okolitých podmienok.

**POZNÁMKA:** V prípade, že je v rámci vysávača zaregistrovaných viacero nástrojov, vysávač sa môže spustiť, hoci nepotiahnete spúšťací spínač, pretože iný používateľ používa funkciu bezdrôtového spúšťania.

## Popis stavov indikátora bezdrôtového spúšťania

### ► Obr.39: 1. Indikátor bezdrôtového spúšťania

Indikátor bezdrôtového spúšťania vyjadruje stav funkcie bezdrôtového spúšťania. Nasledujúca tabuľka obsahuje informácie o význame stavu indikátora.

Stav	Indikátor bezdrôtového spúšťania				Popis
	Farba	 Svieti	 Bliká	Trvanie	
Pohotovostný režim	Modrá			2 hodiny	Bezdrôtové spúšťanie vysávača je k dispozícii. Indikátor sa automaticky vypne, keď stav nečinnosti trvá 2 hodiny.
				Keď je nástroj v prevádzke.	Bezdrôtové spúšťanie vysávača je k dispozícii a nástroj je v prevádzke.
Registrácia nástroja	Zelená			20 sekúnd	Pripravené na registráciu nástroja. Čaká sa na registráciu v rámci vysávača.
				2 sekundy	Registrácia nástroja sa ukončila. Indikátor bezdrôtového spúšťania začne blikať modrou farbou.
Zrušenie registrácie nástroja	Červená			20 sekúnd	Pripravené na zrušenie registrácie nástroja. Čaká sa na zrušenie v rámci vysávača.
				2 sekundy	Zrušenie registrácie nástroja sa ukončilo. Indikátor bezdrôtového spúšťania začne blikať modrou farbou.
Iné	Červená			3 sekundy	Bezdrôtová jednotka sa napája a aktivuje sa funkcia bezdrôtového spúšťania.
	Nesvieti	-		-	Bezdrôtové spúšťanie vysávača sa zastavilo.

## Zrušenie registrácie nástroja v systéme vysávača

Pri rušení registrácie nástroja v rámci vysávača vykonajte nasledujúci postup.

1. Vložte akumulátory do vysávača a nástroja.

2. Prepínač pohotovostného režimu vysávača nastavte do polohy „AUTO“.

► Obr.40: 1. Prepínač pohotovostného režimu

3. Na 6 sekúnd stlačte tlačidlo bezdrôtového spúšťania na vysávači. Indikátor bezdrôtového spúšťania bliká zelenou farbou a potom sa farba zmení na červenú. Neskôr rovnakým spôsobom stlačte tlačidlo bezdrôtového spúšťania nástroja.

► Obr.41: 1. Tlačidlo bezdrôtového spúšťania  
2. Indikátor bezdrôtového spúšťania

Po úspešnom vykonaní zrušenia sa indikátory bezdrôtového spúšťania na 2 sekundy rozsvietia načerveno a potom začnú blikať modrou farbou.

**POZNÁMKA:** Indikátory bezdrôtového spúšťania prestanú blikať načerveno po uplynutí 20 sekúnd. Tlačidlo bezdrôtového spúšťania na nástroji držte, kým indikátor bezdrôtového spúšťania vysávača bliká načerveno, znova krátko podržte stlačené tlačidlo bezdrôtového spúšťania.

## Riešenie problémov funkcie bezdrôtového spúšťania

Pred požiadanim o vykonanie opravy najprv vykonajte vlastnú kontrolu. Ak zistíte problém, ktorý nie je vysvetlený v návode, nepokúšajte sa nástroj rozcobrať. Namiesto toho požiadajte o opravu autorizované servisné strediská spoločnosti Makita, ktoré používajú len náhradné diely značky Makita.

Chybný stav	Predpokladaná príčina (porucha)	Náprava
Indikátor bezdrôtového spúšťania nesvieti/nebliká.	V nástroji nie je nainštalovaná bezdrôtová jednotka. Bezdrôtová jednotka v nástroji je nesprávne nainštalovaná.	Bezdrôtovú jednotku nainštalujte správne.
	Konektor bezdrôtovej jednotky a/alebo zásuvka je špinavá.	Jemne zotrite prach z konektora bezdrôtovej jednotky a očistite zásuvku.
	Tlačidlo bezdrôtového spúšťania na nástroji nebolo stlačené.	Krátko stlačte tlačidlo bezdrôtového spúšťania nástroja.
	Prepínač pohotovostného režimu vysávača nie je nastavený do polohy „AUTO“.	Prepínač pohotovostného režimu vysávača nastavte do polohy „AUTO“.
	Bez prívodu elektrickej energie	Obnovte napájanie nástroja a vysávača.
Nemožno úspešne dokončiť registráciu nástroja/zrušenie registrácie nástroja.	V nástroji nie je nainštalovaná bezdrôtová jednotka. Bezdrôtová jednotka v nástroji je nesprávne nainštalovaná.	Bezdrôtovú jednotku nainštalujte správne.
	Konektor bezdrôtovej jednotky a/alebo zásuvka je špinavá.	Jemne zotrite prach z konektora bezdrôtovej jednotky a očistite zásuvku.
	Prepínač pohotovostného režimu vysávača nie je nastavený do polohy „AUTO“.	Prepínač pohotovostného režimu vysávača nastavte do polohy „AUTO“.
	Bez prívodu elektrickej energie	Obnovte napájanie nástroja a vysávača.
	Nesprávna funkcia	Krátko stlačte tlačidlo bezdrôtového spúšťania a znova vykonajte postup registrácie/zrušenia registrácie.
	Nástroj a vysávač sú vzdialené od seba (mimo dosahu vysielania).	Nástroj a vysávač priblížte k sebe. Maximálny dosah vysielania je približne 10 m, za určitých okolností sa však môže meniť.
	Pred dokončením registrácie nástroja/zrušenia registrácie nástroja: – spúšťací spínač nástroja bol poľahnutý alebo – vysávač bol zapnutý vypínačom.	Krátko stlačte tlačidlo bezdrôtového spúšťania a znova vykonajte postup registrácie/zrušenia registrácie.
	Proces registrácie nástrojov v rámci nástroja alebo vysávača sa neukončil.	Procesy registrácie v rámci nástroja aj vysávača vykonajte súčasne.
Rušenie rádiového signálu inými spotrebičmi vytvára rádiové vlny vysokej intenzity.	Nástroj a vysávač udržuje v dostatočnej vzdialenosti od zariadení Wi-Fi a mikrovlnných rúr.	
Po stlačení spínača nástroja sa vysávač nespustí.	V nástroji nie je nainštalovaná bezdrôtová jednotka. Bezdrôtová jednotka v nástroji je nesprávne nainštalovaná.	Bezdrôtovú jednotku nainštalujte správne.
	Konektor bezdrôtovej jednotky a/alebo zásuvka je špinavá.	Jemne zotrite prach z konektora bezdrôtovej jednotky a očistite zásuvku.
	Tlačidlo bezdrôtového spúšťania na nástroji nebolo stlačené.	Krátko stlačte tlačidlo bezdrôtového spúšťania a ubezpečte sa, že indikátor bezdrôtového spúšťania bliká modrou farbou.
	Prepínač pohotovostného režimu vysávača nie je nastavený do polohy „AUTO“.	Prepínač pohotovostného režimu vysávača nastavte do polohy „AUTO“.
	V rámci vysávača je zaregistrovaných viac než 10 nástrojov.	Znova vykonajte registráciu nástroja. V prípade registrácie viac než 10 nástrojov v rámci vysávača sa najskôr zaregistrovaný nástroj automaticky zruší.
	Vysávač vymazal registrácie všetkých nástrojov.	Znova vykonajte registráciu nástroja.
	Bez prívodu elektrickej energie	Obnovte napájanie nástroja a vysávača.
	Nástroj a vysávač sú vzdialené od seba (mimo dosahu vysielania).	Nástroj a vysávač priblížte k sebe. Maximálny dosah vysielania je približne 10 m, za určitých okolností sa však môže meniť.
	Rušenie rádiového signálu inými spotrebičmi vytvára rádiové vlny vysokej intenzity.	Nástroj a vysávač udržuje v dostatočnej vzdialenosti od zariadení Wi-Fi a mikrovlnných rúr.
Vysávač je spustený, hoci nedošlo k potiahnutiu spúšťacieho spínača.	Bezdrôtové spúšťanie vysávača využívajú iní používatelia prostredníctvom svojich nástrojov.	Vypnite tlačidlo bezdrôtového spúšťania na iných nástrojoch alebo zrušte registráciu iných nástrojov.

# ÚDRŽBA

**⚠ POZOR:** Pred vykonaním kontroly alebo údržby vždy skontrolujte, či je nástroj vypnutý a akumulátor je vybratý.

**⚠ POZOR:** Horný a spodný kryt vyčistite, aby ste odstránili nahromadené piliny, ktoré môžu negatívne ovplyvniť fungovanie systému spodného krytu. Špinavý systém krytu môže obmedziť správnu funkciu a spôsobiť vážne zranenia osôb. Najúčinnjším spôsobom čistenia je čistenie stlačeným vzduchom. Ak sa prach vyfukuje mimo krytov, používajte riadne ochranné prostriedky zraku a dýchacích orgánov.

**⚠ POZOR:** Po každom použití zotrite piliny usadené na nástroji. Jemné piliny by sa mohli dostať dovnútra nástroja a spôsobiť poruchu alebo požiar.

**UPOZORNENIE:** Nepoužívajte benzín, riedidlo, alkohol ani podobné látky. Mohlo by to spôsobiť zmenu farby, deformácie alebo praskliny.

Ak chcete udržať BEZPEČNOSŤ a BEZPORUCHOVOSŤ výrobku, prenechajte opravy, údržbu a nastavenie na autorizované alebo továrenské servisné centrá Makita, ktoré používajú len náhradné diely značky Makita.

## Nastavenie 0° presnosti rezu

Toto nastavenie bolo vykonané vo výrobnom závode. V prípade narušenia nastavenia ho však možno vykonať nasledujúcim spôsobom.

1. Mierne uvoľnite páčku na platni mierky skosenia.
2. Pomocou trojuholníkového pravítka alebo uholníka skontrolujte, či stôl zvierá s čepeľou pravý uhol, a uhol nastavte otáčaním nastavovacej skrutky.  
► **Obr.42:** 1. Trojuholníkové pravítko 2. Nastavovacia skrutka
3. Utiahnite páčku a vykonajte skúšobný rez na preverenie kolmosti.

## VOLITEĽNÉ PRÍSLUŠENSTVO

**⚠ POZOR:** Pre váš nástroj Makita, opísaný v tomto návode, doporučujeme používať toto príslušenstvo a nástavce. Pri použití iného príslušenstva či nástavcov môže hroziť nebezpečenstvo zranenia osôb. Príslušenstvo a nástavce sa môžu používať len na účely pre ne stanovené.

Ak potrebujete bližšie informácie týkajúce sa tohoto príslušenstva, obráťte sa na vaše miestne servisné stredisko firmy Makita.

- Čepeľ kotúčovej píly
- Zahnutý kľúč
- Vodidlo na pozdĺžne rezanie (vodiacie pravítko)
- Originálna batéria a nabíjačka Makita

**POZNÁMKA:** Niektoré položky zo zoznamu môžu byť súčasťou balenia nástrojov vo forme štandardného príslušenstva. Rozsah týchto položiek môže byť v každej krajine odlišný.

## SPECIFIKACE

Model:		RS002G
Průměr kotouče		260 mm
Max. hloubka řezu	při 0°	95,0 mm
	při 45° úhlu úkosu	70,0 mm
	při 56° úhlu úkosu	54,5 mm
Otáčky bez zatížení		4 000 min <sup>-1</sup>
Celková délka		489 mm
Jmenovité napětí		36 V – 40 V DC max
Hmotnost netto		5,7 – 6,3 kg

- Vzhledem k neustálému výzkumu a vývoji zde uvedené technické údaje podléhají změnám bez upozornění.
- Specifikace se mohou pro různé země lišit.
- Hmotnost se může lišit v závislosti na nástavcích a přídatných zařízeních, včetně akumulátoru. Nejlehčí a nejtěžší kombinace, dle EPTA-Procedure 01/2014, jsou uvedeny v tabulce níže.

## Použitelný akumulátor a nabíječka

Akumulátor	BL4020 / BL4025 / BL4040 / BL4050F* * : Doporučený akumulátor
Nabíječka	DC40RA / DC40RB / DC40RC

- V závislosti na regionu vašeho bydliště nemusí být některé akumulátory a nabíječky k dispozici.

**VAROVÁNÍ:** Používejte pouze výše uvedené akumulátory a nabíječky. Použití jiných akumulátorů a nabíječek může způsobit zranění a/nebo požár.

## Účel použití

Nástroj je určen k provádění podélných a příčných rovných řezů a úhlových pokosových řezů ve dřevě při pevném kontaktu s obrobkem.

## Hlučnost

Typická vážená hladina hluku (A) určená podle normy EN62841-2-5:

Hladina akustického tlaku ( $L_{pA}$ ): 96 dB(A)

Hladina akustického výkonu ( $L_{wA}$ ): 107 dB (A)

Nejistota (K): 3 dB(A)

**POZNÁMKA:** Celková(é) hodnota(y) emisí hluku byla(y) změřena(y) v souladu se standardní zkušební metodou a dá se použít k porovnání nářadí mezi sebou.

**POZNÁMKA:** Hodnotu(y) deklarovaných emisí hluku lze také použít k předběžnému posouzení míry expozice vibracím.

**VAROVÁNÍ:** Používejte ochranu sluchu.

**VAROVÁNÍ:** Emise hluku se při používání elektrického nářadí ve skutečnosti mohou od deklarovaného(ých) hodnot(y) lišit v závislosti na způsobech použití nářadí.

**VAROVÁNÍ:** Nezapomeňte stanovit bezpečnostní opatření na ochranu obsluhy podle odhadu expozice ve skutečných podmínkách použití. (Vezměte přitom v úvahu všechny části provozního cyklu, tj. kromě doby zátěže například doby, kdy je nářadí vypnuté a kdy běží naprázdno.)

## Vibrace

Celková hodnota vibrací (vektorový součet tří os) určená podle normy EN62841-2-5:

Pracovní režim: Řezání dřeva

Emise vibrací ( $a_{h,w}$ ): 2,5 m/s<sup>2</sup> nebo méně

Nejistota (K): 1,5 m/s<sup>2</sup>

**POZNÁMKA:** Celková(é) hodnota(y) deklarovaných vibrací byla(y) změřena(y) v souladu se standardní zkušební metodou a dá se použít k porovnání nářadí mezi sebou.

**POZNÁMKA:** Celkovou(é) hodnotu(y) deklarovaných vibrací lze také použít k předběžnému posouzení míry expozice vibracím.

**VAROVÁNÍ:** Emise vibrací se při používání elektrického nářadí ve skutečnosti mohou od deklarovaného(ých) hodnot(y) lišit v závislosti na způsobech použití nářadí.

**VAROVÁNÍ:** Nezapomeňte stanovit bezpečnostní opatření na ochranu obsluhy podle odhadu expozice ve skutečných podmínkách použití. (Vezměte přitom v úvahu všechny části provozního cyklu, tj. kromě doby zátěže například doby, kdy je nářadí vypnuté a kdy běží naprázdno.)



## Prohlášení ES o shodě

### Pouze pro evropské země

Prohlášení ES o shodě je obsaženo v Příloze A tohoto návodu k obsluze.

## BEZPEČNOSTNÍ VÝSTRAHY

### Obecná bezpečnostní upozornění k elektrickému nářadí

**VAROVÁNÍ:** Přečtete si všechny bezpečnostní výstrahy i pokyny a prohlédněte si ilustrace a specifikace dodané k tomuto elektrickému nářadí. Nedodržení všech níže uvedených pokynů může vést k úrazu elektrickým proudem, požáru či vážnému zranění.

## Všechna upozornění a pokyny si uschovejte pro budoucí potřebu.

Pojem „elektrické nářadí“ v upozorněních označuje elektrické nářadí, které se zapojuje do elektrické sítě, nebo elektrické nářadí využívající akumulátory.

### Bezpečnostní upozornění k akumulátorové ruční okružní pile

#### Postupy při řezání

- NEBEZPEČÍ:** Nepřibližujte ruce k oblasti řezání ani ke kotouči. Druhou ruku držte na pomocné rukojeti nebo krytu motoru. Budete-li pilu držet oběma rukama, nehrází riziko jejich pořezání.
  - Nevkládejte ruce pod obrobek.** Kryt vás nechrání před kotoučem pod obrobek.
  - Nastavte hloubku řezu na tloušťku obrobku.** Pod obrobek by měl být viditelný méně než jeden celý zub pilového kotouče.
  - Při řezání nikdy nedržte obrobek v rukou ani si jej nepokládejte na nohy. Uchytěte obrobek ke stabilní podložce.** Je důležité zajistit řádné upevnění dílu, aby se minimalizovalo riziko ohrožení těla, zachycení kotouče nebo ztráty kontroly.
- Obr.1
- Při práci v místech, kde může dojít ke kontaktu nářadí se skrytým elektrickým vedením, držte elektrické nářadí za izolované části držadel.** Kontakt s vodičem pod napětím přenesou proud do nechráněných kovových částí elektrického nářadí a obsluha může utrpět úraz elektrickým proudem.
  - Při podélném řezání vždy používejte podélné pravítko nebo přímé vodičko.** Zvýšíte tak přesnost řezu a omezíte možnost ohnutí kotouče.
  - Vždy používejte kotouče správné velikosti a tvaru (diamantové versus kruhové) otvoru.** Kotouče neodpovídající upínacímu systému pily se budou pohybovat mimo osu a způsobí ztrátu kontroly nad nářadím.

- Nikdy nepoužívejte poškozené nebo nesprávné podložky nebo šroub kotouče.** Podložky a šroub kotouče jsou navrženy speciálně pro tuto pilu a zajišťují optimální funkci a provozní bezpečnost.

#### Zpětný ráz a související výstrahy

- Zpětný ráz je náhlá reakce na skřípnutí, zaseknutí nebo nesprávně seřazený pilový kotouč, která způsobuje nekontrolované zvednutí pily z obrobku a jeho vržení směrem k obsluze.
  - Pokud se kotouč sevře nebo na pevno zasekne o uzavření spáry, dojde k zastavení kotouče a reakce motoru vrhne jednotku s velkou rychlostí směrem k obsluze.
  - Pokud se kotouč v řezu zkroutí nebo vychýlí, mohou se zuby na zadním okraji kotouče zařezat do horního povrchu dřeva, čímž dojde ke zvednutí kotouče ze spáry a rázu nářadí směrem k obsluze.
- Zpětný ráz je důsledkem špatného použití pily nebo nesprávných pracovních postupů či podmínek. Lze se mu vyhnout zavedením odpovídajících opatření, která jsou uvedena níže.

- Pilu držte pevně oběma rukama. Paže umístěte tak, abyste byli schopni odolat silám vznikajícím při zpětném rázu. Tělo udržujte bokem od nářadí. Nestůjte přímo za kotoučem.** Zpětný ráz by mohl způsobit vrhnutí pily zpět. Pokud pracovník dodržuje odpovídající opatření, je schopen kontrolovat síly vznikající při zpětném rázu.
  - Pokud kotouč vážne nebo z jakéhokoli důvodu chcete přerušit řezání, uvolněte spoušť a držte pilu bez pohybu v materiálu, dokud se kotouč úplně nezastaví. Nikdy pilu nevytahujte z materiálu ani ji netahejte směrem zpět, je-li kotouč v pohybu. V opačném případě může dojít ke zpětnému rázu.** Zjistíte příčinu vážnutí kotouče a proveďte odpovídající nápravná opatření.
  - Spouštějte-li pilu opakovaně v obrobku, umístěte pilový kotouč do středu drážky tak, aby zuby kotouče nebyly zachyceny v materiálu.** Pokud pilový kotouč uvizne, může se při opakovaném spuštění pily zvednout nebo vymrštit z obrobku.
  - Velké desky podepřete, abyste minimalizovali riziko skřípnutí kotouče a zpětného rázu.** Velké desky mají tendenci prověšovat se svojí vlastní vahou. Podpěry je nutno umístit pod panel na obou stranách v blízkosti rysky řezu a okraje desky.
- Obr.2  
► Obr.3
- Nepoužívejte tupé nebo poškozené kotouče.** Nenaostřené nebo nesprávně nastavené kotouče řezou úzkou drážku, čímž dochází k nadměrnému tření, vážnutí kotouče a zpětnému rázu.
  - Před zahájením řezání musí být dotaženy a zajištěny pojistné páčky nastavení hloubky a úkosu.** Dojde-li během řezání ke změně nastavení kotouče, kotouč může vážnout a může vzniknout zpětný ráz.
  - Při řezání do stávajících stěn či jiných nepřehledných míst dbajte zvýšené opatrnosti.** Výchylivající kotouč se může zařízdnout do předmětů, jež mohou způsobit zpětný ráz.

8. **Náradí VŽDY držte pevně oběma rukama. NIKDY neumísťujte ruce, nohy nebo jakoukoli jinou část těla pod základnu náradí nebo za pilu, zejména při příčnému řezání.** Dojde-li ke zpětnému rázu, může pila snadno odskočit směrem zpět přes vaše ruce a způsobit vám tak vážné poranění.

► **Obr.4**

9. **Nikdy na pilu nevyvíjejte příliš velkou sílu. Pilu tlačte vpřed tak, aby kotouč řezal bez zpomalování.** Příliš silný tlak může způsobit nerovné řezy, ztrátu přesnosti a vznik zpětného rázu.

**Funkce krytu**

1. **Před každým použitím zkontrolujte řádné uzavření dolního krytu. S pilou nepracujte, pokud se dolní kryt nepohybuje volně a okamžitě se neuzavře. Nikdy neupínajte ani neuchycujte dolní kryt v otevřené poloze.** Pokud pilu náhodně upustíte, může se dolní kryt ohnout. Zvedněte dolní kryt zatahovacího držadla a ujistěte se, zda se kryt volně pohybuje a zda se ve všech úhlech a hloubkách řezu nedotýká kotouče ani žádné jiné části nástroje.
2. **Zkontrolujte funkci pružiny dolního krytu. Pokud kryt a pružina nepracují správně, musí být před zahájením provozu opraveny.** Dolní kryt se může pohybovat pomalu z důvodu poškozených dílů, lepkavých usazenin nebo nahromaděných odpadního materiálu.
3. **Dolní kryt zatahujte ručně pouze při provádění speciálních řezů, jimiž jsou například „zapichovací“ či „kombinované řezy“.** Zatahovacím držadlem zvedněte dolní kryt, a jakmile kotouč vnikne do materiálu, je nutné dolní kryt uvolnit. Při všech jiných typech řezů má dolní kryt pracovat automaticky.
4. **Před položením pily na pracovní stůl nebo podlahu se vždy přesvědčte, zda dolní kryt zakrývá kotouč.** Nechráněný dobíhající kotouč způsobí pohyb náradí směrem zpět, při kterém může dojít k pořezání. Nezapomeňte, že zastavení kotouče po uvolnění spínače trvá určitou dobu.
5. **Při kontrole dolního krytu jej otevřete rukou, uvolněte a sledujte jeho zavírání. Dále zkontrolujte, zda se zatahovací držadlo nedotýká skříně nástroje.** Ponechání kotouče v nechráněné poloze JE VELICE NEBEZPEČNÉ a může způsobit vážné zranění.

**Další bezpečnostní výstrahy**

1. **Při řezání vlhkého dřeva, tlakově impregnovaného dřeva nebo dřeva obsahujícího suky postupujte se zvýšenou opatrností.** Náradí vedle do řezu plynule, aby se pohyb kotouče nezpomaloval a nedocházelo k přehřívání břitů.
2. **Neodstraňujte odřezaný materiál, pokud se pohybuje kotouč. Před uchopením odřezaného materiálu počkejte, až se kotouč zastaví.** Kotouče po vypnutí náradí dobíhají.
3. **Neřežte hřebíky. Před zahájením řezání zkontrolujte a odstraňte ze dřeva všechny případné hřebíky.**

4. **Šířší stranu základny pily položte na tu část obrobku, která je pevně podepřena a nikoli na část, která po provedení řezu odpadne. Pokud je obrobek krátký nebo malý, upněte jej. NIKDY NEDRŽTE KRÁTKÉ DÍLY RUKOU!**

► **Obr.5**

5. **Před odložením náradí po dokončení řezu se přesvědčte, zda se kryt zavřel a zda se kotouč úplně zastavil.**
6. **Nikdy se nepokoušejte řezat okružní pilou uchycenou vzhůru nohama ve svěráku. Tento postup je mimořádně nebezpečný a může způsobit vážné nehody.**

► **Obr.6**

7. **Některé materiály obsahují chemikálie, které mohou být jedovaté. Dávejte pozor, abyste nevedledechovali prach nebo nedocházelo ke kontaktu s kůží. Dodržujte bezpečnostní pokyny dodavatele materiálu.**
8. **Nezastavujte pilové kotouče vyvinutím postranního tlaku.**
9. **Nepoužívejte žádné brusné kotouče.**
10. **Používejte pouze pilové kotouče s průměrem vyznačeným na náradí nebo specifikovaným v příručce. Použití kotouče nesprávných rozměrů může ovlivnit správné zakrytí kotouče nebo funkci krytu, což může mít za následek vážné zranění.**
11. **Udržujte kotouč ostrý a čistý.** Smůla a pryskyřice zatvrdnutá na kotouči pilu zpomaluje a zvyšuje potenciální nebezpečí zpětného rázu. Při čištění kotouč nejprve vyjměte z náradí a pak jej vyčistěte prostředkem k odstraňování smůly a pryskyřice, horkou vodou nebo petrolejem. Nikdy nepoužívejte benzín.
12. **Při používání náradí používejte protiprachovou masku a ochranu sluchu.**
13. **Vždy používejte takový pilový kotouč, který je určený pro řezání materiálu, který se chystáte řezat.**
14. **Používejte pouze pilové kotouče označené hodnotou otáček, jejichž hodnota se rovná či přesahuje hodnotu otáček vyznačenou na náradí.**
15. **(Pouze pro evropské země) Vždy používejte kotouče, které odpovídají normě EN847-1.**
16. **Umístěte náradí a součásti na rovný a stabilní povrch. Jinak mohou náradí nebo součásti spadnout a způsobit zranění.**

**TYTO POKYNY USCHOVEJTE.**

**⚠VAROVÁNÍ: NEDOVOLTE, aby pohodlnost nebo pocit znalosti výrobku (získaný na základě předchozího použití) vedl k zanedbání dodržování bezpečnostních pravidel platných pro tento výrobek. NESPRÁVNÉ POUŽÍVÁNÍ či nedodržení bezpečnostních pravidel uvedených v tomto návodu k obsluze může způsobit vážné zranění.**

## Důležitá bezpečnostní upozornění pro akumulátor

1. Před použitím akumulátoru si přečtěte všechny pokyny a varovné symboly na (1) nabíječce, (2) akumulátoru a (3) výrobku využívaným akumulátor.
2. Nerozebírejte akumulátor ani do něj nijak nezasahujte. Může dojít k požáru, nadměrnému zahřátí nebo výbuchu.
3. Pokud se přilíší zkrátí provozní doba akumulátoru, přerušete okamžitě práci. V opačném případě existuje riziko přehřívání, popálení nebo dokonce výbuchu.
4. Budou-li vaše oči zasaženy elektrolytem, vypláchněte je čistou vodou a okamžitě vyhledejte lékařskou pomoc. Může dojít ke ztrátě zraku.
5. Akumulátor nezkratujte:
  - (1) Nedotýkejte se svorek žádným vodivým materiálem.
  - (2) Neskladujte akumulátor v nádobě s jinými kovovými předměty, jako jsou hřebíky, mince, apod.
  - (3) Nevystavuje akumulátor vodě a dešti. Zkrat akumulátoru může způsobit velký průtok proudu, přehřátí, možné popálení a dokonce i poruchu.
6. Neskladujte a nepoužívejte nářadí a akumulátor na místech, kde může teplota překročit 50 °C (122 °F).
7. Nespalujte akumulátor, ani když je vážně poškozen nebo úplně opotřeben. Akumulátor může v ohni vybuchnout.
8. Akumulátor nesmí být proražen hřebíkem, řezán, drcen, házen či opuštěn na zem, ani nesmí dojít k nárazu tvrdého předmětu do něj. Taková situace může způsobit požár, nadměrné zahřátí či výbuch.
9. Nepoužívejte poškozené akumulátory.
10. Obsažené lithium-iontové akumulátory podléhají právním požadavkům na nebezpečné zboží. V případě komerční přepravy například externími dopravci je třeba dodržet zvláštní požadavky na balení a značení.

Pro přípravu zboží k přepravě je nutná konzultace s odborníkem na nebezpečný materiál. Dodržujte také případné podrobnější národní předpisy. Odkryté kontakty přelepte izolační páskou či jinak zakryjte a akumulátory zabalte tak, aby se v balení nemohly pohybovat.
11. Při likvidaci akumulátoru jej vyjměte z nářadí a zlikvidujte jej na bezpečném místě. Při likvidaci akumulátoru postupujte podle místních předpisů.
12. Akumulátor používejte pouze s výrobky specifikovanými společností Makita. Instalace akumulátoru do nevyhovujících výrobků může způsobit požár, nadměrné zahřívání, explozi nebo únik elektrolytu.
13. Pokud nářadí delší dobu nepoužíváte, je nutné z něj akumulátor vyjmout.
14. Během a po použití se může akumulátor zahřát, což může způsobit popáleniny nebo podráždění. Při manipulaci s horkými akumulátory dávejte pozor.

15. Nedotýkejte se koncovky na nářadí ihned po použití, protože ta může být horká a způsobit popálení.
16. Do koncovek, otvorů a zdiřek na akumulátoru se nesmí dostat piliny, prach nebo jiné nečistoty. Mohlo by tím dojít ke zhoršení výkonu nebo poruše nářadí či akumulátoru.
17. Jestliže nářadí není zkonstruováno tak, že jej lze používat v blízkosti vysokého elektrického napětí, nepoužívejte akumulátor poblíž vedení s vysokým elektrickým napětím. Mohlo by tím dojít k poruše či selhání nářadí či akumulátoru.
18. Akumulátor uchovávejte mimo dosah dětí.

## TYTO POKYNY USCHOVEJTE.

**▲UPOZORNĚNÍ:** Používejte pouze originální akumulátory Makita. Používání neoriginálních nebo upravených akumulátorů může způsobit explozi akumulátoru a následný požár, zranění a jiné poškození. Zaniká tím také záruka společnosti Makita na nářadí a nabíječku Makita.

## Tipy k zajištění maximální životnosti akumulátoru

1. Akumulátor nabíjte dříve, než dojde k jeho úplnému vybití. Pokud si povšimnete sníženého výkonu nářadí, vždy jej zastavte a dobijte akumulátor.
2. Nikdy nenabíjete úplně nabitý akumulátor. Přebíjení zkracuje životnost akumulátoru.
3. Akumulátor dobíjejte při pokojové teplotě od 10 °C do 40 °C (50 °F až 104 °F). Před nabíjením nechte horký akumulátor zchladnout.
4. Když není akumulátor používán, vyjměte ho z nářadí či nabíječky.
5. Pokud se akumulátor delší dobu nepoužívá (déle než šest měsíců), je nutno jej dobít.

## Důležité bezpečnostní pokyny pro bezdrátovou jednotku

1. Bezdrátovou jednotku nerozebírejte ani do ní nezasahujte.
2. Bezdrátovou jednotku uchovávejte mimo dosah malých dětí. Pokud by nedopatřením došlo ke spolknutí, okamžitě vyhledejte lékařskou pomoc.
3. Bezdrátovou jednotku používejte pouze s nástroji Makita.
4. Bezdrátovou jednotku nevystavujte dešti a vlhku.
5. Bezdrátovou jednotku nepoužívejte na místech, kde teplota překračuje 50 °C.
6. Bezdrátovou jednotku neprovazujte na místech, kde se nachází lékařské přístroje, jako je kardiostimulátor, nebo v jejich blízkosti.
7. Neprovazujte bezdrátovou jednotku na místech, kde se nachází automatizovaná zařízení, nebo v jejich blízkosti. V případě provozu může u automatizovaných zařízení docházet k poruchám nebo chybám.

8. Nepoužívejte bezdrátovou jednotku v místech se zvýšenou teplotou nebo na místech, kde se může generovat statická elektřina nebo elektromagnetický šum.
9. Bezdrátová jednotka může vytvářet elektromagnetická pole (EMP), která ale nejsou pro uživatele škodlivá.
10. Bezdrátová jednotka je přesný přístroj. Dávejte pozor, abyste bezdrátovou jednotku neupustili ani s ní nenaráželi.
11. Nedotýkejte se svorek bezdrátové jednotky holými rukama nebo kovovými materiály.
12. Při instalaci bezdrátové jednotky vždy vyjměte akumulátor výrobku.
13. Při otevření krytu drážky dejte pozor na místo, ze kterého se může dostat prach a voda do drážky. Udržujte vstupní část drážky stále čistou.
14. Bezdrátovou jednotku vždy vkládejte ve správném směru.
15. Netlačte na tlačítko bezdrátové aktivace na bezdrátové jednotce příliš silně a netlačte na něj předměty s ostrými hranami.
16. Při používání vždy zavřete kryt drážky.
17. Neodpojujte bezdrátovou jednotku z drážky, zatímco je nástroj napájen. V opačném případě hrozí poškození bezdrátové jednotky.
18. Neodstraňujte nálepkou na bezdrátové jednotce.
19. Nelepte na bezdrátovou jednotku žádné nálepky.
20. Neponechávejte bezdrátovou jednotku na místě, kde se může generovat statická elektřina nebo elektromagnetický šum.
21. Nenechávejte bezdrátovou jednotku na místech, kde by mohla být vystavena velkému teplotě, například v autě na slunci.
22. Neponechávejte bezdrátovou jednotku v prašném prostředí nebo na místech, kde se může působit korozivní plyn.
23. Náhlé změny teploty mohou způsobit navlhnutí bezdrátové jednotky. Bezdrátovou jednotku nepoužívejte, dokud nebude vlhkost kompletně vysušena.
24. Při čištění bezdrátové jednotky ji opatrně otrepte suchým jemným hadříkem. Nepoužívejte benzín, ředidlo, vodivé mazivo a podobně.
25. Při uskladnění bezdrátové jednotky ji uchovávejte v dodávaném pouzdru nebo antistatickém obalu.
26. Nevkládejte do drážky nástroje jiná zařízení, než je bezdrátová jednotka Makita.
27. Nepoužívejte nástroj, pokud je kryt drážky poškozen. Do drážky se může dostat voda, prach a nečistoty a způsobit poruchu.
28. Za kryt drážky netahejte ani se ho nesazte zkroutit více, než je potřeba. Uvolněný kryt znovu připevněte.
29. Pokud se kryt drážky ztratí nebo poškodí, nahraďte ho.

## TYTO POKYNY USCHOVEJTE.

## POPIS FUNKCÍ

**⚠️ UPOZORNĚNÍ:** Před nastavováním nářadí nebo kontrolou jeho funkce se vždy přesvědčte, zda je vypnutá a je vyjmutý akumulátor.

### Nasazení a sejmутí akumulátoru

**⚠️ UPOZORNĚNÍ:** Před nasazením či sejmутím akumulátoru nářadí vždy vypněte.

**⚠️ UPOZORNĚNÍ:** Při nasazování či snímání akumulátoru pevně držte nářadí i akumulátor. V opačném případě vám může nářadí nebo akumulátor vyklouznout z rukou a mohlo by dojít k jejich poškození či ke zranění.

**⚠️ UPOZORNĚNÍ:** U okružní pily nepoužívejte adaptér baterie. Kabel adaptéru baterie může bránit provozu a způsobit zranění osob.

► Obr.7: 1. Červený indikátor 2. Tlačítko 3. Akumulátor

Chcete-li akumulátor sejmut, vysuňte jej se současným přesunutím tlačítka na přední straně akumulátoru.

Při nasazování akumulátoru vyrovnejte jazýček na akumulátoru s drážkou v krytu a zasuňte akumulátor na místo. Akumulátor zasuňte na doraz, až zacvakne na své místo. Není-li tlačítko zcela zajištěno, uvidíte na jeho horní straně červený indikátor.

**⚠️ UPOZORNĚNÍ:** Akumulátor zasunujte vždy zcela tak, aby nebyl červený indikátor vidět. Jinak by mohl akumulátor ze zařízení vypadnout a způsobit zranění obsluze či přihlížejícím osobám.

**⚠️ UPOZORNĚNÍ:** Akumulátor nenasazujte násilím. Nelze-li akumulátor zasunout snadno, nevkládáte jej správně.

### Systém ochrany nářadí a akumulátoru

Nářadí je vybaveno systémem ochrany nářadí a akumulátoru. Tento systém automaticky přeruší napájení motoru, aby se prodloužila životnost nářadí a akumulátoru. Budou-li nářadí nebo akumulátor vystaveny některé z níže uvedených podmínek, nářadí se během provozu automaticky vypne. Za určitých podmínek se rozsvítí kontrolky.

### Ochrana proti přetížení

Pokud se s nářadím/akumulátorem pracuje způsobem vyvolávajícím mimořádně vysoký odběr proudu, nářadí se automaticky vypne. V takové situaci nářadí vypněte a ukončete činnost, při níž došlo k přetížení nářadí. Potom nářadí opět zapněte.

### Ochrana proti přehřátí

Když se nářadí či akumulátor přehřeje, automaticky se vypne. V takovém případě nechte nářadí před opětovným zapnutím vychladnout.

### Ochrana proti přílišnému vybití

V případě nízké zbývající kapacity akumulátoru se nářadí automaticky vypne. Jestliže produkt při ovládání přepínači nepracuje, vyjměte z nářadí akumulátory a nabijte je.

## Indikace zbývající kapacity akumulátoru

Stisknutím tlačítka kontroly na akumulátoru zjistíte zbývající kapacitu akumulátoru. Kontrolky indikátoru se na několik sekund rozsvítí.

► **Obr.8:** 1. Kontrolky 2. Tlačítko kontroly

Kontrolky			Zbývající kapacita
Svítil	Nesvítil	Bliká	
■	□	■	75 % až 100 %
■	■	■	50 % až 75 %
■	■	□	25 % až 50 %
■	□	□	0 % až 25 %
■	□	□	Nabijte akumulátor.
■	■	□	Došlo pravděpodobně k poruše akumulátoru.
□	□	■	

**POZNÁMKA:** Kapacita udávaná indikátorem se může mírně lišit od skutečné kapacity v závislosti na podmínkách používání a teplotě prostředí.

**POZNÁMKA:** První kontrolka (zcela vlevo) bude blikat, když je systém ochrany akumulátoru v provozu.

## Nastavení hloubky řezu

**⚠ UPOZORNĚNÍ:** Po nastavení hloubky řezu vždy pevně dotáhněte páčku.

Uvolněte páčku na vodítku pro nastavení hloubky a přesuňte základnu nahoru nebo dolů. Na požadované hloubce řezu základnu zajistíte utažením páčky. Pro čistší a bezpečnější řezy nastavte hloubku tak, aby z dolní strany obrobku nevyčníval více než jeden zub kotouče. Použití správných hloubek řezu pomáhá omezovat nebezpečí ZPĚTNÝCH RÁZŮ, které mohou způsobit zranění.

► **Obr.9:** 1. Páčka

## Úkosové řezání

**⚠ UPOZORNĚNÍ:** Po nastavení úhlu úkosu vždy pevně utáhněte páčku.

**⚠ UPOZORNĚNÍ:** Když provádíte úkosové řezání, odejměte boční rukojeť (držadlo).

► **Obr.10:** 1. Boční rukojeť (držadlo)

Uvolněte páčku a nastavte ji náklonem do požadovaného úhlu. Poté páčku bezpečně utáhněte.

► **Obr.11:** 1. Páčka

## Positivní zarážka

Positivní zarážka slouží k rychlému nastavení požadovaného úhlu. Otočte pozitivní zarážku tak, aby šípka na ní ukazovala na požadovaný úhel úkosu (zhruba 22,5°/45°/56°). Uvolněte páčku a nakláníte základnu nářadí, dokud se nezastaví. Poloha, v níž se základna nářadí zastaví, je úhel, který jste nastavili pozitivní zarážkou. Utáhnutím páčky upevníte základnu nářadí na místě.

► **Obr.12:** 1. Positivní zarážka

## Sledování značek

Při přímých řezech vyrovnejte pozici 0° na přední straně základny s rýskou vyznačující řez. Při provádění 45° úkosových řezů vyrovnejte řez s pozicí 45°.

► **Obr.13:** 1. Linie řezu (pozice 0°) 2. Linie řezu (pozice 45°)

## Používání spouště

**⚠ VAROVÁNÍ:** Před vložením akumulátoru do nářadí vždy zkontrolujte správnou funkci spouště, a zda se po uvolnění vrací do vypnuté polohy.

**⚠ VAROVÁNÍ:** NIKDY neblokuje funkci odjišťovacího tlačítka zalepením páskou ani jinými způsoby. Spínač se zablokovaným odjišťovacím tlačítkem může být příčinou neúmyslného zapnutí a vážného zranění.

**⚠ VAROVÁNÍ:** NIKDY nepoužívejte nářadí, které lze spustit pouhým stisknutím spouště bez použití odjišťovacího tlačítka. Spínač vyžadující opravu může způsobit neúmyslné zapnutí a vážné zranění. V takovém případě nářadí PŘED dalším použitím předejte servisnímu středisku Makita k opravě.

**⚠ UPOZORNĚNÍ:** Nářadí začne brzdit otáčení kotouče okružní pily ihned poté, co pustíte spoušť. Podržte pevně nářadí, abyste uklidnili reakci brzdy po puštění spouště. Rychlá reakce může způsobit pád nářadí z ruky a osobní úraz.

K zamezení náhodnému stisknutí spouště je nářadí vybaveno odjišťovacím tlačítkem. Chcete-li nářadí spustit, stiskněte odjišťovací tlačítko a potom spoušť. Chcete-li nářadí vypnout, uvolněte spoušť.

► **Obr.14:** 1. Spoušť 2. Odjišťovací tlačítko

**POZOR:** Nemačkejte spoušť silou bez stisknutí odjišťovacího tlačítka. Mohlo by dojít k poškození spínače.

## Elektrická brzda

Toto nářadí je vybaveno elektrickou brzdou kotouče. Jestliže se opakovaně stane, že se kotouč okružní pily zastavuje po uvolnění páčky spínače pomalu, nechejte provést servis nářadí v servisním středisku Makita.

**⚠ UPOZORNĚNÍ:** Systém brzdy kotouče nenahrazuje kryt kotouče. NÁŘADÍ NIKDY NEPOUŽÍVEJTE BEZ FUNKČNÍHO KRYTU KOTOUČE. MOHLO BY DOJÍT K VÁŽNÉMU ÚRAZU OSOB.



## Elektronické funkce

Následující elektronické funkce a vlastnosti nářadí umožňují jejich snadné provozování.

### Funkce měkkého spuštění

Měkké spuštění potlačením počátečního rázu.

## SESTAVENÍ

**⚠ UPOZORNĚNÍ:** Před prováděním jakýchkoli prací na nářadí se vždy přesvědčte, zda je vypnuté a je vyjmutý akumulátor.

### Uložení vyhnutého klíče

Není-li používán, uložte vyhnutý klíč, jak je ilustrováno na obrázku. Předejdete tak jeho ztrátu.

► **Obr.15:** 1. Vyhnutý klíč

### Demontáž a instalace kotouče okružní pily

**⚠ UPOZORNĚNÍ:** Dbejte, aby byl kotouč okružní pily nainstalován tak, aby na přední straně nářadí směřovaly zuby nahoru.

**⚠ UPOZORNĚNÍ:** Při instalaci a demontáži kotouče okružní pily používejte pouze vyhnutý klíč Makita.

Při demontáži kotouče okružní pily stisknete úplně zámek hřídele tak, aby se kotouč okružní pily neotáčel, a poté pomocí vyhnutého klíče povolíte šroub s šestihlannou hlavou. Potom vymontujete šroub s šestihlannou hlavou, vnější přírubu, kotouč okružní pily a kroužek (specificky podle zemi).

► **Obr.16:** 1. Zámek hřídele 2. Vyhnutý klíč 3. Povolit 4. Utažení

### Nářadí bez kroužku

► **Obr.17:** 1. Šroub s šestihlannou hlavou 2. Vnější příruba 3. Kotouč okružní pily 4. Šipka na kotouči okružní pily 5. Vnitřní příruba 6. Šipka na nářadí

### Nářadí s kroužkem

► **Obr.18:** 1. Šroub s šestihlannou hlavou 2. Vnější příruba 3. Kotouč okružní pily 4. Šipka na kotouči okružní pily 5. Kroužek 6. Vnitřní příruba 7. Šipka na nářadí

Při instalaci kotouče okružní pily použijte opačný postup demontáže. Zarovnejte směr šipky na kotouči okružní pily s šipkou na nářadí.

### Nářadí s vnitřní přírubou pro jiné pilové kotouče než s otvorem o průměru 15,88 mm

Vnitřní příruba má na jedné straně prolis určitého průměru a na druhé straně prolis jiného průměru. Zvolte správnou stranu, jejíž prolis přesně zapadne do otvoru kotouče okružní pily. Vnitřní přírubu nasadte na hřídel tak, aby správná strana prolisu vnitřní příruby směřovala ven a nasadte kotouč okružní pily s vnější přírubou.

► **Obr.19:** 1. Hřídel 2. Vnitřní příruba 3. Kotouč okružní pily 4. Vnější příruba 5. Šroub s šestihlannou hlavou

**⚠VAROVÁNÍ:** NEZAPOMEŇTE PEVNĚ SMĚREM VLEVO DOTÁHNOUT ŠROUB S ŠESTIHRANEM.

Nikdy však šroub nedotahujte násilím. Pokud se vám šestihlanný klíč vysmekne z ruky, může dojít ke zranění.

**⚠VAROVÁNÍ:** Zajistěte, aby prolis „a“ vnitřní příruby směřující směrem ven dokonale zapadl do otvoru „a“ pilového kotouče. Montáž kotouče okružní pily na chybnou stranu může způsobit nebezpečné vibrace.

### Nářadí s vnitřní přírubou pro pilové kotouče s průměrem otvoru 15,88 mm (specifické pro danou zemi)

Na hřídel nasadte vnitřní přírubu zapuštěnou částí směrem ven a pak nasadte pilový kotouč (pokud je třeba, s nasazeným kroužkem), vnější přírubu a šroub s šestihlannou hlavou.

### Nářadí bez kroužku

► **Obr.20:** 1. Hřídel 2. Vnitřní příruba 3. Kotouč okružní pily 4. Vnější příruba 5. Šroub s šestihlannou hlavou

### Nářadí s kroužkem

► **Obr.21:** 1. Hřídel 2. Vnitřní příruba 3. Kotouč okružní pily 4. Vnější příruba 5. Šroub s šestihlannou hlavou 6. Kroužek

**⚠VAROVÁNÍ:** NEZAPOMEŇTE PEVNĚ SMĚREM VLEVO DOTÁHNOUT ŠROUB S ŠESTIHRANEM.

Nikdy však šroub nedotahujte násilím. Pokud se vám šestihlanný klíč vysmekne z ruky, může dojít ke zranění.

**⚠VAROVÁNÍ:** Pokud je pro nasazení kotouče okružní pily na vřeteno potřebný kroužek, vždy se ujistěte, zda je na vřetenu mezi vnitřní a vnější přírubou umístěn správný kroužek odpovídající otvoru v kotouči, který se chystáte použít. Použití kroužku s nesprávným otvorem může vést k nesprávnému uchycení kotouče okružní pily, jeho pohybu a silným vibracím s následnou možností ztráty kontroly za provozu, jež může způsobit vážné zranění.

### Čištění krytu kotouče

Při výměně kotouče okružní pily rovněž nezapomeňte očistit horní a dolní kryt kotouče od usazených pilin podle pokynů v části Údržba. Provedení tohoto kroku nevylučuje nutnost kontroly dolního krytu před každým použitím.

### Instalace boční rukojeti (držadla)

**⚠UPOZORNĚNÍ:** Dávejte pozor, aby boční rukojeť byla vždy před prací pevně nainstalovaná.

**⚠UPOZORNĚNÍ:** Když provádíte úkosové řezání, odejměte boční rukojeť (držadlo). Jestliže budete provádět úkosové řezání s nasazenou boční rukojetí (držadlem), může se dotknout obrobku nebo svého těla a způsobit zpětný ráz či zranění.

**⚠UPOZORNĚNÍ:** Při otvírání/zavírání dolního krytu dávejte pozor, abyste svými prsty nenarazili do boční rukojeti (držadla).

Boční rukojeť (držadlo) slouží k držení a přenášení nářadí. Chcete-li namontovat boční rukojeť (držadlo), pevně ji našroubujte na místo na nářadí, které je ilustrováno na obrázku.

► **Obr.22:** 1. Boční rukojeť (držadlo)



## Připojení odsavače prachu

### Volitelné příslušenství

**⚠️ UPOZORNĚNÍ:** Dávejte pozor, aby se hadice nezamotala s obrobkem. Mohlo by to způsobit vážné zranění zpětným rázem.

**POZNÁMKA:** Pryžové víčko uložte do prostoru v přední části nářadí, aby se neztratilo.

**POZNÁMKA:** Když vysavač nepoužíváte, vložte pryžové víčko na hubici na piliny.

Odstraňte z hubice na piliny pryžové víčko a připojte k ní hadici vysavače podle obrázku.

► **Obr.23:** 1. Pryžová krytka

Připojení odsavače prachu Makita k nářadí.

► **Obr.24:** 1. Pryžová krytka 2. Vysavač 3. Hadice 4. Hubice na piliny

## PRÁCE S NÁŘADÍM

Toto nářadí je určeno pouze k řezání dřevěných výrobků.

Správné kotouče okružní pily používané podle řezaného materiálu najdete na naší internetové stránce nebo kontaktujte místního prodejce Makita.

### Kontrola funkce krytu čepele

Nastavte úhel úkosu na 0° a poté odtáhněte rukou dolní kryt až na konec a uvolněte ho. Dolní kryt správně funguje v těchto případech;

- odtahuje se nad základnu zcela hladce a bez překážek;
- automaticky se vrací a dotkne se zarážky.

► **Obr.25:** 1. Horní ochranný kryt 2. Spodní ochranný kryt 3. Základna 4. Doraz 5. Povoleno 6. Utaženo

Jestliže dolní ochranný kryt nefunguje správně, zkontrolujte, zda se uvnitř horního a dolního ochranného krytu nenahromadil prach a piliny. Jestliže dolní ochranný kryt nefunguje správně ani po odstranění prachu a pilin, předejte nářadí k opravě do servisního střediska Makita.

**⚠️ UPOZORNĚNÍ:** Při řezání používejte protiprachovou masku.

**⚠️ UPOZORNĚNÍ:** Nářadí zlehka posunujte dopředu po přímé rýse. Pokud na nástroj budete tlačit nebo jej zkroutíte, dojde k přehřátí motoru a nebezpečnému zpětnému rázu s rizikem těžkého zranění.

**POZNÁMKA:** Při nízké teplotě bloku akumulátoru nemusí nářadí pracovat na plný výkon. V takové situaci nářadí chvíli používejte například k nenáročným řezům, dokud se akumulátor nezařehje na pokojovou teplotu. Potom již může zařízení pracovat na plný výkon.

### ► Obr.26

Držte nářadí pevně. Nářadí je vybaveno přední rukojetí a zadním držadlem. Použijte obojí k pevnému uchopení nářadí. Budete-li pilu držet oběma rukama, nemůžete si ruce pořežat kotoučem okružní pily. Ustavte základnu na obrobek, aniž by došlo ke kontaktu s kotoučem okružní pily. Poté nářadí zapněte a počkejte, dokud kotouč okružní pily nedosáhne plných otáček. Nyní jednoduše posunujte nářadí dopředu po povrchu obrobku. Udržujte jej rovně a pomalu posunujte až do ukončení řezu.

Chcete-li dosáhnout čistých řezů, udržujte přímou dráhu řezu a rovnoměrnou rychlost posunu. Pokud řez nesleduje přesně dráhu zamýšleného řezu, nepokoušejte se o otočení nebo násilné přesunutí nářadí zpět na rýsku řezu. V opačném případě by mohlo dojít k ohnutí kotouče okružní pily, nebezpečnému zpětnému rázu a potenciálnímu vážnému poranění. Uvolněte spínač, počkejte na zastavení kotouče okružní pily a poté nářadí vytáhněte. Ustavte nářadí na novou dráhu řezu a zahajte řez znovu. Pokuste se vyvarovat takového umístění nářadí, při kterém je obsluha vystavena třískám a pilinám vyletujícím z pily. Předejte poranění použitím ochrany očí.

## Háček

**⚠️ UPOZORNĚNÍ:** Při zavěšování nářadí za hák vždy vyjměte akumulátor.

**⚠️ UPOZORNĚNÍ:** Nářadí nikdy nezavěšujte vysoko ani na povrchy, z nichž může ztrátou rovnováhy spadnout. Jinak může spadnout a způsobit vážné zranění.

**⚠️ UPOZORNĚNÍ:** Netahejte nářadí směrem dolů, když je zaháknuté.

**⚠️ UPOZORNĚNÍ:** Součásti určené k zavěšení/montáži používejte výhradně k zamýšlenému účelu. Jejich použití k jinému než zamýšlenému účelu může způsobit nehodu nebo zranění.

**⚠️ UPOZORNĚNÍ:** Nářadí nikdy nezavěšujte na hák, který je poškozený. Jinak může spadnout a způsobit vážné zranění.

Háček je vhodný k dočasnému pověšení nářadí.

Chcete-li hák použít, jednoduše jej vyklopte, až zacvakne do otevřené polohy.

Když hák nepoužíváte, vždy jej sklopte, až zacvakne do zavřené polohy.

► **Obr.27:** 1. Háček 2. Otevřená pozice 3. Zavřená pozice

► **Obr.28**

## Podélné pravítko (vodící pravítko)

### Volitelné příslušenství

Praktické podélné pravítko vám umožní provádět mimořádně přesné přímé řezy. Jednoduše posuňte podélné pravítko těsně k boku obrobku a zajistěte jej v této poloze pomocí šroubu na přední straně základny. Pravítko také umožňuje opakované provádění řezů se stejnou šířkou.

► **Obr.29:** 1. Podélné pravítko (vodící pravítko) 2. Upínací šroub

# FUNKCE BEZDRÁTOVÉ AKTIVACE

## Co lze provádět s funkcí bezdrátové aktivace

Funkce bezdrátové aktivace umožňuje čistý a pohodlný provoz. Pomocí připojení podporovaného vysavače k nástroji můžete automaticky používat vysavač při aktivaci spouště nástroje.

► **Obr.30**

K použití funkce bezdrátové aktivace si připravte následující položky:

- Bezdrátová jednotka (volitelné příslušenství)
- Vysavač s podporou funkce bezdrátové aktivace

Přehled nastavení funkce bezdrátové aktivace je následující. Podrobné postupy najdete v příslušné části.

1. Instalace bezdrátové jednotky
2. Registrace nástroje pro vysavač
3. Spuštění funkce bezdrátové aktivace

## Instalace bezdrátové jednotky

### Volitelné příslušenství

**▲ UPOZORNĚNÍ:** Při instalaci bezdrátové jednotky umístěte nástroj na plochy a stabilní povrch.

**POZOR:** Před instalací bezdrátové jednotky očistěte nástroj od prachu a nečistot. Pokud se prach a nečistoty dostanou do drážky bezdrátové jednotky, mohou způsobit poruchu.

**POZOR:** Aby se zabránilo poruchám způsobeným statickou elektřinou, před uchopením bezdrátové jednotky se dotkněte materiálu pro vybití statické elektřiny, jako je třeba kovový díl nástroje.

**POZOR:** Při instalaci bezdrátové jednotky se vždy ujistěte, že je bezdrátová jednotka vložena ve správné poloze a kryt je kompletně uzavřen.

1. Otevřete kryt nástroje podle znázornění na obrázku.  
► **Obr.31:** 1. Kryt
2. Vložte bezdrátovou jednotku do drážky a zavřete kryt.

Při vložení bezdrátové jednotky zarovnejte výčnělky s prohlubněmi na drážce.

- **Obr.32:** 1. Bezdrátová jednotka 2. Výčnělek 3. Kryt 4. Prohlubeň

Při demontáži bezdrátové jednotky pomalu otevřete kryt. Háčky na zadní straně krytu vytáhnou bezdrátovou jednotku, jakmile kryt odklopíte.

- **Obr.33:** 1. Bezdrátová jednotka 2. Háček 3. Kryt

Po vyjmutí uchovávejte bezdrátovou jednotku v dodávaném pouzdru nebo antistatickém obalu.

**POZOR:** Při vyjímání bezdrátové jednotky vždy použijte háčky na zadní straně krytu. Pokud háčky nezachytí bezdrátovou jednotku, kryt zcela zavřete a znovu ho pomalu otevřete.

## Registrace nástroje pro vysavač

**POZNÁMKA:** Pro registraci nástroje je vyžadován vysavač Makita s podporou funkce bezdrátové aktivace.

**POZNÁMKA:** Před zahájením registrace nástroje dokončete instalaci bezdrátové jednotky.

**POZNÁMKA:** Během registrace nástroje nestlačujte spoušť ani nezapínajte vypínač vysavače.

**POZNÁMKA:** Viz také návod k obsluze vysavače.

Pokud chcete aktivovat vysavač při stisknutí spouště nástroje, dokončete předtím registraci nástroje.

1. Instalujte baterie do vysavače a nástroje.
2. Nastavte přepínač pohotovostního režimu na vysavači do polohy AUTO.  
► **Obr.34:** 1. Přepínač pohotovostního režimu
3. Stiskněte tlačítko aktivace bezdrátové funkce na vysavači po dobu 3 sekund, dokud se indikátor bezdrátové aktivace nerozsvítí zeleně. Potom stejným postupem u tlačítka bezdrátové aktivace na nástroji.  
► **Obr.35:** 1. Tlačítko bezdrátové aktivace 2. Indikátor bezdrátové aktivace

Po úspěšném propojení vysavače a nástroje se na 2 sekundy zeleně rozsvítí indikátory bezdrátové aktivace a pak začnou modře blikat.

**POZNÁMKA:** Indikátory bezdrátové aktivace přestanou zeleně blikat po uplynutí 20 sekund. Stiskněte tlačítko bezdrátové aktivace na nástroji, dokud indikátor bezdrátové aktivace na vysavači bliká. Pokud indikátor bezdrátové aktivace neblíká zeleně, krátce stiskněte tlačítko bezdrátové aktivace a znovu ho přidržte stisknuté.

**POZNÁMKA:** Když provádíte dvě a více registrací nástroje pro jeden vysavač, proveďte registraci nástroje jednotlivě.

## Spuštění funkce bezdrátové aktivace

**POZNÁMKA:** Registraci nástroje pro vysavač dokončete před bezdrátovou aktivací.

**POZNÁMKA:** Viz také návod k obsluze vysavače.

Po registraci nástroje k vysavači se vysavač automaticky spustí při sepnutí spouště nástroje.

1. Instalujte bezdrátovou jednotku do nástroje.
2. Propojte hadici vysavače s nástrojem.  
► **Obr.36**
3. Nastavte přepínač pohotovostního režimu na vysavači do polohy AUTO.  
► **Obr.37:** 1. Přepínač pohotovostního režimu
4. Krátce stiskněte tlačítko bezdrátové aktivace na nástroji. Indikátor bezdrátové aktivace bude blikat modře.  
► **Obr.38:** 1. Tlačítko bezdrátové aktivace 2. Indikátor bezdrátové aktivace
5. Stiskněte spoušť nástroje. Zkontrolujte, zda je vysavač při stisknutí spouště nástroje spuštěný. Pokud chcete zastavit bezdrátovou aktivaci vysavače, stiskněte tlačítko bezdrátové aktivace nástroje.

**POZNÁMKA:** Indikátor bezdrátové aktivace na nástroji přestane blikat modře po 2 hodinách nečinnosti nástroje. V takovém případě nastavte přepínač pohotovostního režimu na vysavači do polohy AUTO a znovu stiskněte tlačítko pro aktivaci na nástroji.

**POZNÁMKA:** Vysavač se spustí/zastaví se zpožděním. Je tu určitá časová prodleva, než vysavač detekuje stisknutí spouště nástroje.
















**POZNÁMKA:** Přenosová vzdálenost bezdrátové jednotky se může lišit v závislosti na umístění a podmínkách prostředí.

**POZNÁMKA:** Když je k jednomu vysavači registrováno více nástrojů, může se vysavač spustit, i když nestisknete spoušť, když jiný uživatel použije funkci bezdrátové aktivace.

## Popis stavu indikátoru bezdrátové aktivace

### ► Obr.39: 1. Indikátor bezdrátové aktivace

Indikátor bezdrátové aktivace zobrazuje stav funkce bezdrátové aktivace. Vysvětlení stavu indikátorů najdete v následující tabulce.

Stav	Indikátor bezdrátové aktivace			Trvání	Popis
	Barva	 Svítí	 Bliká		
Pohotovostní režim	Modrá			2 hodiny	Je dostupná bezdrátová aktivace vysavače. Indikátor automaticky zhasne po 2 hodinách nečinnosti.
				Při spuštění nástroje.	Bezdrátová aktivace vysavače je dostupná a nástroj je spuštěn.
Registrace nástroje	Zelená			20 sekund	Připraveno k registraci nástroje. Čeká se na registraci vysavačem.
				2 sekundy	Registrace nástroje byla dokončena. Indikátor bezdrátové aktivace začne blikat modře.
Rušení registrace nástroje	Červená			20 sekund	Připraveno zrušení registrace nástroje. Čeká se na zrušení od vysavače.
				2 sekundy	Zrušení registrace nástroje bylo dokončeno. Indikátor bezdrátové aktivace začne blikat modře.
Jiné	Červená			3 sekundy	Bezdrátová jednotka je napájena a funkce bezdrátové aktivace se spouští.
	Nesvítí	-	-	-	Bezdrátová aktivace vysavače byla zastavena.

## Rušení registrace nástroje pro vysavač

Při rušení registrace nástroje pro vysavač postupujte takto.

1. Instalujte baterie do vysavače a nástroje.
2. Nastavte přepínač pohotovostního režimu na vysavači do polohy AUTO.

► **Obr.40:** 1. Přepínač pohotovostního režimu

3. Stiskněte tlačítko bezdrátové aktivace na vysavači na dobu 6 sekund. Indikátor bezdrátové aktivace bliká zeleně a pak svítí červeně. Potom stejným způsobem stiskněte tlačítko bezdrátové aktivace na nástroji.

► **Obr.41:** 1. Tlačítko bezdrátové aktivace 2. Indikátor bezdrátové aktivace

Po úspěšném zrušení se na 2 sekundy červeně rozsvítí indikátory bezdrátové aktivace a pak začnou modře blikat.

**POZNÁMKA:** Indikátory bezdrátové aktivace přestanou červeně blikat po uplynutí 20 sekund. Stiskněte tlačítko bezdrátové aktivace na nástroji, dokud indikátor bezdrátové aktivace na vysavači bliká. Pokud indikátor bezdrátové aktivace neblíká červeně, krátce stiskněte tlačítko bezdrátové aktivace a znovu ho přidržte stisknuté.

## Odstraňování problémů funkce bezdrátové aktivace

Před žádostí o opravu proveďte nejprve prohlídku sami. Narazíte-li na problém, jenž v této příručce není vysvětlen, nepouštějte se do demontáže zařízení. Požádejte o pomoc některé z autorizovaných servisních středisek Makita, kde k opravám vždy používají náhradní díly Makita.

Problém	Pravděpodobná příčina (porucha)	Náprava
Indikátor bezdrátové aktivace nesvítí/nebliká.	Bezdrátová jednotka není instalována v nástroji. Bezdrátová jednotka není správně instalována v nástroji.	Proveďte správnou instalaci bezdrátové jednotky.
	Svorka na bezdrátové jednotce nebo drážka jsou znečištěné.	Opatrně otřete prach na svorce bezdrátové jednotky a vyčistěte drážku.
	Tlačítko bezdrátové aktivace na nástroji nebylo stlačeno.	Krátce stiskněte tlačítko bezdrátové aktivace na nástroji.
	Přepínač pohotovostního režimu vysavače není nastaven do polohy AUTO.	Nastavte přepínač pohotovostního režimu na vysavači do polohy AUTO.
	Chybí zdroj napájení	Připojte napájení k nástroji a vysavači.
Nelze dokončit registraci nástroje / zrušit registraci nástroje.	Bezdrátová jednotka není instalována v nástroji. Bezdrátová jednotka není správně instalována v nástroji.	Proveďte správnou instalaci bezdrátové jednotky.
	Svorka na bezdrátové jednotce nebo drážka jsou znečištěné.	Opatrně otřete prach na svorce bezdrátové jednotky a vyčistěte drážku.
	Přepínač pohotovostního režimu vysavače není nastaven do polohy AUTO.	Nastavte přepínač pohotovostního režimu na vysavači do polohy AUTO.
	Chybí zdroj napájení	Připojte napájení k nástroji a vysavači.
	Nesprávná operace	Krátce stiskněte tlačítko bezdrátové aktivace a opakujte postupy registrace/zrušení.
	Nástroj a vysavač jsou daleko od sebe (mimo dosah vysílání).	Přesuňte nástroj a vysavač blíž k sobě. Maximální přenosová vzdálenost je přibližně 10 m. To se ale může lišit v závislosti na podmínkách.
	Před dokončením registrace/zrušení: – spoušť nástroje je stisknuta nebo – vypínač vysavače je zapnutý.	Krátce stiskněte tlačítko bezdrátové aktivace a opakujte postupy registrace/zrušení.
	Registrace nástroje pro vysavač nebo nástroj nebyly dokončeny.	Proveďte registraci nástroje a vysavače se stejným načasováním.
	Rušení bezdrátového přenosu ze strany jiných zařízení, která generují silné rádiové vlny.	Nástroj a vysavač je potřeba uchovávat dál od zařízení, jako jsou zařízení Wi-Fi a mikrovlnné trouby.
Vysavač se nespustí při stisknutí spouště nástroje.	Bezdrátová jednotka není instalována v nástroji. Bezdrátová jednotka není správně instalována v nástroji.	Proveďte správnou instalaci bezdrátové jednotky.
	Svorka na bezdrátové jednotce nebo drážka jsou znečištěné.	Opatrně otřete prach na svorce bezdrátové jednotky a vyčistěte drážku.
	Tlačítko bezdrátové aktivace na nástroji nebylo stlačeno.	Krátce stiskněte tlačítko pro bezdrátovou aktivaci a ujistěte se, že indikátor bezdrátové aktivace bliká modře.
	Přepínač pohotovostního režimu vysavače není nastaven do polohy AUTO.	Nastavte přepínač pohotovostního režimu na vysavači do polohy AUTO.
	K vysavači je registrováno více než 10 nástrojů.	Opakujte registraci nástroje. Pokud je k vysavači registrováno více než 10 nástrojů, dojde k automatickému zrušení nejstarší registrace.
	Vysavač vymazal všechny registrace nástrojů.	Opakujte registraci nástroje.
	Chybí zdroj napájení	Připojte napájení k nástroji a vysavači.
	Nástroj a vysavač jsou daleko od sebe (mimo dosah vysílání).	Přesuňte nástroj a vysavač blíž k sobě. Maximální přenosová vzdálenost je přibližně 10 m. To se ale může lišit v závislosti na podmínkách.
	Rušení bezdrátového přenosu ze strany jiných zařízení, která generují silné rádiové vlny.	Nástroj a vysavač je potřeba uchovávat dál od zařízení, jako jsou zařízení Wi-Fi a mikrovlnné trouby.
Vysavač se spustí, ačkoli nebyla stisknuta spoušť nástroje.	Jiní uživatelé bezdrátové aktivují vysavač pomocí svých nástrojů.	Vypněte tlačítko bezdrátové aktivace u ostatních nástrojů nebo zrušte registraci ostatních nástrojů.

# ÚDRŽBA

**⚠ UPOZORNĚNÍ:** Před zahájením kontroly nebo údržby nářadí se vždy ujistěte, zda je vypnuté a je vyjmut akumulátor.

**⚠ UPOZORNĚNÍ:** Očistěte horní a dolní kryty a zajistěte, aby zde nebyly žádné nahromaděné piliny, jež by mohly bránit funkci dolního krytového systému. Znečištěný krytový systém může omezovat správnou funkčnost, což může mít za následek vážné zranění. Nejúčinnějším způsobem čištění je použití stlačeného vzduchu. **Při odstraňování pilin z krytů stlačeným vzduchem použijte správné prostředky k ochraně zraku a dýchacích cest.**

**⚠ UPOZORNĚNÍ:** Po každém použití otřete piliny z nástroje. Jemné piliny by mohly proniknout do nářadí a způsobit jeho poruchu nebo požár.

**POZOR:** Nikdy nepoužívejte benzín, benzen, ředidlo, alkohol či podobné prostředky. Mohlo by tak dojít ke změnám barvy, deformacím či vzniku prasklin.

K zachování BEZPEČNOSTI a SPOLEHLIVOSTI výrobku musí být opravy a veškerá další údržba či seřizování prováděny autorizovanými nebo továrními servisními středisky společnosti Makita s využitím náhradních dílů Makita.

## Seřízení přesnosti 0° řezu

Toto seřízení bylo provedeno při výrobě. Jestliže je však nesprávné, můžete je seřídít následujícím postupem.

1. Uvolněte mírně páčku na desce se stupnicí úkosu.
2. Otočením stavěcího šroubu nastavte základnu kolmo ke kotouči pomocí trojúhelníkového nebo čtvercového pravítka.

► **Obr.42:** 1. Trojúhelníkové pravítko 2. Stavěcí šroub

3. Utáhněte páčku a poté proveďte kontrolní řez, abyste zkontrolovali vertikální seřízení.

## VOLITELNÉ PŘÍSLUŠENSTVÍ

**⚠ UPOZORNĚNÍ:** Pro nářadí Makita popsané v tomto návodu doporučujeme používat následující příslušenství a nástavce. Při použití jiného příslušenství či nástavců může hrozit nebezpečí zranění osob. Příslušenství lze používat pouze pro stanovené účely.

Potřebujete-li bližší informace ohledně tohoto příslušenství, obraťte se na místní servisní středisko společnosti Makita.

- Kotouč okružní pily
- Vyhnutý klíč
- Podélné pravítko (vodící pravítko)
- Originální akumulátor a nabíječka Makita

**POZNÁMKA:** Některé položky seznamu mohou být k nářadí přibaleny jako standardní příslušenství. Přibalené příslušenství se může v různých zemích lišit.

## ТЕХНІЧНІ ХАРАКТЕРИСТИКИ

<b>Модель:</b>		<b>RS002G</b>
Діаметр диска		260 мм
Макс. глибина різання	Під кутом 0°	95,0 мм
	Під кутом 45°	70,0 мм
	Під кутом 56°	54,5 мм
Швидкість холостого ходу		4 000 хв <sup>-1</sup>
Загальна довжина		489 мм
Номинальна напруга		від 36 до 40 В пост. струму макс
Чиста вага		5,7–6,3 кг

- Оскільки наша програма наукових досліджень і розробок триває безперервно, наведені тут технічні характеристики можуть бути змінені без попередження.
- У різних країнах технічні характеристики можуть бути різними.
- Вага може відрізнитися залежно від допоміжного обладнання, наприклад касети з акумулятором. Найлегші та найважчі комплекти, відповідно до стандарту ЕРТА (Європейська асоціація виробників електроінструменту) від січня 01/2014 року, представлено в таблиці.

### Застосовна касета з акумулятором і зарядний пристрій

Касета з акумулятором	BL4020 / BL4025 / BL4040 / BL4050F* *: рекомендований акумулятор
Зарядний пристрій	DC40RA / DC40RB / DC40RC

- Деякі касети з акумулятором і зарядні пристрої, які вказано вище, можуть бути недоступними залежно від вашого регіону або місця перебування.

**▲ПОПЕРЕДЖЕННЯ:** Використовуйте лише касети з акумулятором і зарядні пристрої, зазначені вище. Використання будь-яких інших касет з акумулятором і зарядних пристроїв може призвести до травмування й/або пожежі.

### Призначення

Інструмент призначено для поздовжнього та поперечного різання за прямою лінією та різання під косим кутом деревини у міцному контакт з деталлю.

### Шум

Рівень шуму за шкалою А в типовому виконанні, визначений відповідно до стандарту EN62841-2-5: Рівень звукового тиску ( $L_{pA}$ ): 96 дБ (А)  
Рівень звукової потужності ( $L_{WA}$ ): 107 дБ (А)  
Похибка (К): 3 дБ (А)

**ПРИМІТКА:** Заявлене значення шуму було виміряно відповідно до стандартних методів тестування й може використовуватися для порівняння одного інструмента з іншим.

**ПРИМІТКА:** Заявлене значення шуму може також використовуватися для попереднього оцінювання впливу.

**▲ПОПЕРЕДЖЕННЯ:** Користуйтеся засобами захисту органів слуху.

**▲ПОПЕРЕДЖЕННЯ:** Залежно від умов використання рівень шуму під час фактичної роботи електроінструмента може відрізнитися від заявленого значення вібрації; особливо сильно на це впливає тип деталі, що оброблюється.

**▲ПОПЕРЕДЖЕННЯ:** Забезпечте належні запобіжні заходи для захисту оператора, що відповідатимуть умовам використання інструмента (слід брати до уваги всі складові робочого циклу, як-от час, коли інструмент вимкнено та коли він починає працювати на холостому ході під час запуску).

### Вібрація

Загальна величина вібрації (векторна сума трьох напрямків) визначена згідно з EN62841-2-5:  
Режим роботи: пиляння деревини  
Вібрація ( $a_{h,w}$ ): 2,5 м/с<sup>2</sup> або менше  
Похибка (К): 1,5 м/с<sup>2</sup>

**ПРИМІТКА:** Заявлене загальне значення вібрації було виміряно відповідно до стандартних методів тестування й може використовуватися для порівняння одного інструмента з іншим.

**ПРИМІТКА:** Заявлене загальне значення вібрації може також використовуватися для попереднього оцінювання впливу.

**▲ПОПЕРЕДЖЕННЯ:** Залежно від умов використання вібрація під час фактичної роботи електроінструмента може відрізнятися від заявленого значення вібрації; особливо сильно на це впливає тип деталі, що оброблюється.

**▲ПОПЕРЕДЖЕННЯ:** Забезпечте належні запобіжні заходи для захисту оператора, що відповідатимуть умовам використання інструмента (слід брати до уваги всі складові робочого циклу, як-от час, коли інструмент вимкнено та коли він починає працювати на холостому ході під час запуску).

## Декларація про відповідність стандартам ЄС

*Тільки для країн Європи*

Декларацію про відповідність стандартам ЄС наведено в Додатку А до цієї інструкції з експлуатації.

## ПОПЕРЕДЖЕННЯ ПРО ДОТРИМАННЯ ТЕХНІКИ БЕЗПЕКИ

### Загальні застереження щодо техніки безпеки при роботі з електроінструментами

**▲ПОПЕРЕДЖЕННЯ:** Уважно ознайомтеся з усіма попередженнями про дотримання правил техніки безпеки, інструкціями, ілюстраціями та технічними характеристиками, що стосуються цього електроінструмента. Невиконання будь-яких інструкцій, перелічених нижче, може призвести до ураження електричним струмом, пожежі та/або тяжких травм.

## Збережіть усі інструкції з техніки безпеки та експлуатації на майбутнє.

Термін «електроінструмент», зазначений у інструкції з техніки безпеки, стосується електроінструмента, який функціонує від електромережі (електроінструмент з кабелем живлення), або електроінструмента з живленням від батареї (безпроводний електроінструмент).

### Попередження про небезпеку під час роботи з бездротовою циркулярною пилою.

#### Порядок експлуатації

- ▲НЕБЕЗПЕЧНО!** Завжди тримайте руки на відстані від зони різання та полотна. Тримайте другу руку на допоміжній ручці або кожусі двигуна. Якщо тримати інструмент обома руками, їх неможливо буде порізати об полотно.
- Забороняється простягати руки нижче деталі.** Кожух не захищає від полотна внизу деталі.

- Необхідно відрегулювати глибину різання відповідно до товщини деталі. Щонайменше один зубець полотна має бути повністю видно внизу деталі.
- Забороняється під час різання тримати деталь у руках або на колінах. Необхідно закріпити деталь на стійкій поверхні.** Дуже важливо забезпечити належну опору робочого місця, щоб звести до мінімуму вплив на тіло, заїдання полотна та втрату керування.

#### ► Рис.1

- Тримайте електроприлад за ізольовані поверхні держака під час виконання дії, за якої різальний інструмент може зачепити сховану електропроводку. Торкання дроту під напругою може призвести до передавання напруги до металевих частин електроінструмента й до ураження оператора електричним струмом.
- Під час поздовжнього пиляння обов'язково використовуйте напрямну планку або пряму лінійку.** Це покращить точність різання та зменшить імовірність заїдання полотна.
- Обов'язково використовуйте полотно зі шпindelними отворами відповідного розміру та форми (ромбічні або круглі).** Полотна, що не відповідають приладдю для кріплення пили, працюватимуть ексцентрично, що призведе до втрати контролю.
- Заборонено використовувати пошкоджені або невідповідні шайби та болти для полотна.** Шайби та болти полотна спеціально розроблені для цієї пили для забезпечення оптимальних робочих характеристик та безпечної експлуатації.

#### Причини віддачі та відповідні попередження:

- Віддача — це несподівана реакція затиснутого, застряглого або зміщеного диска пили, що призводить до неконтрольованого вистрілювання пили вгору та з деталі в напрямку до оператора.
- Коли диск затиснуло або щільно заїло в пропилі, він зупиняється, а працюючий двигун призводить до швидкого відкидання пристрою до оператора.
- якщо полотно закрутилося або змістилося в прорізі, зубець заднього краю полотна може встромитися у верхню поверхню деревини, що в свою чергу призведе до виходу полотна із пропилу та відсакування його до оператора.

Причинами віддачі є неправильне користування пилою та/або неправильний порядок або умови експлуатації. Її можна уникнути, дотримуючись запобіжних заходів, наведених нижче.

- Необхідно міцно обома руками тримати пилу за ручку та розмістити руки таким чином, щоб протистояти зусиллю віддачі. Необхідно зайняти положення з будь-якого боку полотна, але не на одній лінії з ним. У разі віддачі пила відскочить назад, але оператор зможе контролювати зусилля віддачі, якщо буде вжито всіх запобіжних заходів.
- У разі заїдання полотна або переривання різання з будь-яких причин потрібно відпустити курок та утримувати пилу в матеріалі нерухомо до повної зупинки полотна. Ні в якому разі не можна намагатися виняти пилу з деталі або витягти її під час руху полотна — це може спричинити віддачу. Ретельно огляньте пилу та виконайте необхідні дії з усунення причини заїдання полотна.



3. Під час повторного встановлення пили на деталь необхідно відцентрувати диск пили в пропили так, щоб зубці пили не зачепилися за матеріал. Якщо диск пили затиснуло, він може вийти або зіскочити з деталі під час повторного вмикнення пили.
4. Необхідно забезпечити опору великих панелей, щоб мінімізувати ризик защемлення полотна та віддачі. Великі панелі прогинаються під своєю вагою. Необхідно розташувати опору з обох боків панелі, біля лінії різання та біля краю панелі.

► Рис.2

► Рис.3

5. Не можна користуватися тупими або пошкодженими полотнами. Незагострені або неправильно встановлені полотна роблять вузький пропили, що призводить до надмірного тертя, заїдання полотна або віддачі.
6. Перед початком різання необхідно затягнути та закріпити затискні важелі регулювання глибини та нахилу полотна. Зміщення регулювання полотна під час різання може призвести до заїдання або віддачі.
7. Необхідна особлива обережність під час різання в наявні стіни або інші невідомі зони. Виступаюче полотно може зіткнутися з предметами, що спричинять віддачу.
8. **ОБОВ'ЯЗКОВО** міцно тримайте інструмент обома руками. **НІ В ЯКОМУ РАЗІ** не кладіть руку, ногу чи будь-яку частину тіла нижче основи інструмента або позаду пили, особливо під час поперечного різання. У разі віддачі пила може просто перескочити через руку та спричинити серйозну травму.

► Рис.4

9. Ні в якому разі не прикладайте силу до пили. Натискайте на пилу вперед із такою швидкістю, щоб полотно різало, не зменшуючи швидкості. Прикладання сили до пили може призвести до нерівного прорізу, втрати точності та можливої віддачі.

#### Функція захисного кожуха

1. Щораз перед початком роботи слід перевіряти належне закриття нижнього кожуху. Не слід починати роботу з пилою, якщо нижній захисний кожух не рухається вільно та одразу не закривається. Ніколи не слід затискати або затягувати нижній кожух у відкритому положенні. Якщо пила випадково впаде, нижній захисний кожух може погнуватися. Слід підняти нижній захисний кожух за допомогою ручки та переконатися, що він вільно пересувається та не торкається диску або іншої частини при будь-якому куті та глибині різання.
2. Слід перевірити функціонування пружини нижнього захисного кожуха. У разі нена належного функціонування захисного кожуха та пружини їх необхідно відремонтувати перед використанням. Нижній захисний кожух може повільно працювати при наявності пошкоджених частин, клейких відкладень або накопичення сміття.

3. Нижній захисний кожух можна відводити руками тільки при виконанні спеціальних прорізів, таких як «врізання» та «комбіноване різання». Підніміть нижній захисний кожух за допомогою ручки відведення та, як тільки диск пили увійде у матеріал, відпустіть нижній захисний кожух. Для решти видів різання нижній кожух повинен працювати автоматично.
4. Перед встановленням пили на верстат або підлогу слід завжди перевіряти, щоб нижній захисний кожух покривав диск. Незахищений диск, що рухається за інерцією, призведе до пересування пили назад, ріжучи будь-які предмети на своєму шляху. Слід пам'ятати, що після відпускання вмикача диску потрібен деякий час для повної зупинки.
5. Щоб перевірити нижній кожух, його слід відкрити вручну, а потім необхідно відпустити і подивитися, як він закривається. Також слід переконатися, що ручка відведення не торкається кожуха інструмента. Залишення ріжучого диска незахищеним є **ДУЖЕ НЕБЕЗПЕЧНИМ**, адже може призвести до серйозних травм.

#### Додаткові попередження про необхідну обережність

1. Виявляйте особливу обережність під час різання сирової деревини, лісоматеріалу, обробленого під тиском, або сучкуватої деревини. Плавню просувайте інструмент вперед, не зменшуючи швидкості полотна, щоб уникнути перегрівання зубців.
2. Не намагайтеся забирати відрізаний матеріал під час руху полотна. Зачекайте до зупинки полотна, перш ніж брати відрізаний матеріал. Полотно рухається за інерцією після вимкнення.
3. Уникайте різання цвяхів. Перед початком роботи огляньте лісоматеріал та видаліть із нього всі цвяхи.
4. Розташуйте ширшу частину основи пили на тій частині деталі, що має надійну опору, а не на тій, яка відпаде після різання. Короткі або малі деталі необхідно притискати. **ЗАБОРОНЕНО ТРИМАТИ КОРОТКІ ДЕТАЛІ РУКАМИ!**

► Рис.5

5. Перед тим як відставляти інструмент після завершення різання, переконайтеся, що захисний кожух закритий і полотно повністю зупинилося.
6. Ні в якому разі не намагайтеся різати затиснутою леґатами перевернутою циркулярною пилою. Це дуже небезпечно та може призвести до тяжких нещасних випадків.

► Рис.6

7. Деякі матеріали містять токсичні хімічні речовини. Будьте обережні, щоб не допустити вдихання пилу та його контакту зі шкірою. Дотримуйтеся правил техніки безпеки виробника матеріалу.
8. Заборонено зупиняти полотно, прикладаючи боковий тиск до ріжучого полотна.
9. Заборонено використовувати абразивні диски.

10. Використовуйте тільки ріжуче полотно, що має діаметр, зазначений на інструменті або вказаний в інструкції з експлуатації. Використання полотна невідповідного розміру може завдати належному захисту полотна або функціонуванню захисного кожуха, що можуть призвести до серйозних травм.
11. Полотно має бути гострим та чистим. Деревний пек та смола, застигли на полотнах, сповільнюють пилу та збільшують ризик віддачі. Підтримуйте чистоту полотна. Для цього зніміть його з інструмента, а потім очистіть за допомогою засобу для видалення смоли, гарячої води або гасу. Використовувати бензин заборонено.
12. Під час користування інструментом використовуйте пилозахисну маску та засоби захисту органів слуху.
13. Завжди використовуйте диск пили, що призначений для різання саме того матеріалу, який ви збираєтеся різати.
14. Використовуйте тільки такі диски пили, на яких вказана швидкість дорівнює швидкості, зазначеній на інструменті, або є більшою за неї.
15. (Тільки для країн Європи.) Завжди використовуйте диск, що відповідає стандарту EN847-1.
16. Розмістіть інструмент і деталі на рівній та стійкій поверхні. В іншому випадку інструмент або деталі можуть впасти й спричинити травми.

## ЗБЕРІГАЙТЕ ЦІ ВКАЗІВКИ.

**⚠ ПОПЕРЕДЖЕННЯ:** НІКОЛИ НЕ втрачайте пильності та не розслабляйтеся під час користування виробом (що можливо при частому користуванні); обов'язково строго дотримуйтеся відповідних правил безпеки. **НЕНАЛЕЖНЕ ВИКОРИСТАННЯ** або недотримання правил безпеки, викладених у цій інструкції з експлуатації, може призвести до серйозних травм.

## Важливі інструкції з безпеки для касети з акумулятором

1. Перед тим як користуватися касетою з акумулятором, слід прочитати всі інструкції та застережні знаки щодо (1) зарядного пристрою акумулятора, (2) акумулятора та (3) виробів, що працюють від акумулятора.
  2. Не розбирайте касету з акумулятором і не змінюйте її конструкцію. Це може призвести до пожежі, перегріву або вибуху.
  3. Якщо період роботи дуже покоротшав, слід негайно припинити користування. Це може призвести до виникнення ризику перегріву, опіку та навіть вибуху.
  4. У разі потрапляння електроліту в очі слід промити їх чистою водою та негайно звернутися до лікаря. Це може призвести до втрати зору.
  5. Не закоротіть касету з акумулятором.
    - (1) Не слід торкатися клем будь-яким струмопровідним матеріалом.
    - (2) Не слід зберігати касету з акумулятором у смості з іншими металевими предметами, такими як цвяхи, монети тощо.
    - (3) Не залишайте касету з акумулятором під дощем, запобігайте контакту з водою.
- Коротке замикання може призвести до появи значного струму, перегріву, можливих опіків та навіть виходу з ладу.
6. Не слід зберігати й використовувати інструмент і касету з акумулятором у місяць, де температура може сягнути чи перевищити 50 °C (122 °F).
  7. Не слід спалювати касету з акумулятором, навіть якщо вона була неодноразово пошкоджена або повністю спрацьована. Касета з акумулятором може вибухнути у вогні.
  8. Заборонено забивати цвяхи в касету з акумулятором, різати, ламати, кидати, впускати касету з акумулятором або вдаряти її твердим предметом. Це може призвести до пожежі, перегріву або вибуху.
  9. Не слід використовувати пошкоджений акумулятор.
  10. Літій-іонні акумулятори, що містяться в інструменті, мають відповідати вимогам законів про небезпечні товари. Під час транспортування за допомогою комерційних перевезень, наприклад із залученням третьої сторони та експедиторів, необхідно дотримуватись особливих вимог, вказаних на пакуванні й у маркуванні. Під час підготування позиції до відправлення необхідно проконсультуватись зі спеціалістом з небезпечних матеріалів. Крім того, слід виконувати більш докладні національні настанови, якщо такі є. Заклейте відкриті контакти стрічкою або заховайте їх і запакуйте акумулятор таким чином, щоб він не міг рухатися в пакуванні.
  11. Для утилізації касети з акумулятором витягніть її з інструмента та утилізуйте безпечним способом. Дотримуйтеся норм місцевого законодавства щодо утилізації акумуляторів.
  12. Використовуйте акумулятори лише з виробами, указаними компанією Makita. Установлення акумуляторів у невідповідні вироби може призвести до пожежі, надмірного нагрівання, вибуху чи витoku електроліту.
  13. Якщо інструментом не користуватимуться протягом тривалого періоду часу, вийміть акумулятор з інструмента.
  14. Під час і після використання касета з акумулятором може нагріватися, що може стати причиною опіків або низькотемпературних опіків. Будьте обережні під час поводження з гарячою касетою з акумулятором.
  15. Не торкайтеся контактів інструмента відразу після використання, оскільки він може бути досить гарячим, щоб викликати опіки.
  16. Не допускайте, щоб уламки, пил або земля прилипали до контактів, отворів і пазів на касеті з акумулятором. Це може привести до зниження експлуатаційних параметрів, поломки інструмента або касети з акумулятором.
  17. Якщо інструмент не розраховано на використання поблизу високовольтних ліній електропередач, не використовуйте касету з акумулятором поблизу високовольтних ліній електропередач. Це може призвести до несправності, поломки інструмента або касети з акумулятором.

- Тримайте акумулятор у недоступному для дітей місці.

## ЗБЕРІГАЙТЕ ЦІ ВКАЗІВКИ.

**⚠ОБЕРЕЖНО:** Використовуйте тільки акумулятори Makita. Використання акумуляторів, інших ніж оригінальні акумулятори Makita, або акумуляторів, конструкцію яких було змінено, може призвести до вибуху акумулятора і спричинити пожежу, травму або пошкодження. У зв'язку з цим також буде анульовано гарантію Makita на інструмент Makita і на зарядний пристрій.

## Поради з забезпечення максимального строку експлуатації акумулятора

- Касету з акумулятором слід заряджати до того, як він розрядиться повністю. Завжди слід зупинити роботу інструмента та зарядити акумулятор, якщо ви помітили зменшення потужності інструмента.
- Ніколи не слід заряджати повторно повністю заряджену касету з акумулятором. Перезарядження скорочує строк експлуатації акумулятора.
- Заряджайте касету з акумулятором при кімнатній температурі 10°C - 40°C (50°F - 104°F). Перед тим як заряджати касету з акумулятором, слід зачекати, доки вона охолоне.
- Коли касета з акумулятором не використовується, виймайте її з інструмента або зарядного пристрою.
- Якщо касета з акумулятором не використовувалася тривалий час (понад шість місяців), її слід зарядити.

## Важливі інструкції з безпеки для бездротового модуля

- Не розбирайте бездротовий модуль і не намагайтеся втручатися в його роботу.
- Зберігайте бездротовий модуль у недоступному для дітей місці. При випадковому проковтуванні негайно зверніться до лікаря.
- Використовуйте бездротовий модуль лише з інструментами Makita.
- Не тримайте бездротовий модуль під дощем або в умовах підвищеної вологості.
- Не використовуйте бездротовий модуль у місцях, де температура перевищує 50°C.
- Не використовуйте бездротовий модуль неподалік від медичних приборів, таких як кардіостимулятори.
- Не використовуйте бездротовий модуль поруч з автоматизованими пристроями. Таке використання може спричинити збої або помилки в роботі автоматизованих пристроїв.
- Не використовуйте бездротовий модуль у місцях, де він може піддаватися впливу високої температури, статичної електрики або електричних перешкод.

- Бездротовий модуль може генерувати електромагнітні поля (ЕМП), нешкідливі для користувача.
- Бездротовий модуль є точним інструментом. Будьте уважні, щоб не впустити або не вдарити бездротовий модуль.
- Не торкайтеся контактів бездротового модуля голими руками або металевими предметами.
- Перш ніж установлювати бездротовий модуль, обов'язково вийміть акумулятор.
- Не відкривайте кришку відсіку в місцях, де в нього може потрапити пил або вода. Завжди тримайте вхідний отвір відсіку в чистоті.
- Завжди вставляйте бездротовий модуль правильною стороною.
- Не натискайте занадто сильно кнопку активації на бездротовому модулі та не робіть це гострим предметом.
- Під час роботи завжди закривайте кришку відсіку.
- Не виймайте бездротовий модуль із відсіку, поки на інструмент подається живлення. Це може призвести до несправності бездротового модуля.
- Не видаляйте наклейку на бездротовому модулі.
- Не розміщуйте будь-які наклейки на бездротовому модулі.
- Не залишайте бездротовий модуль під впливом статичної електрики або електричних перешкод.
- Не залишайте бездротовий модуль під впливом високої температури, наприклад на сидінні автомобіля на сонці.
- Не залишайте бездротовий модуль у запиленому або запорошеному місці або в місці, де може утворитися корозійний газ.
- Раптова зміна температури може призвести до конденсації вологи на бездротовому модулі. Не використовуйте бездротовий модуль, поки волога не висохне повністю.
- Під час чищення бездротового модуля обережно протирайте його сухою м'якою тканиною. Не використовуйте бензин, розчинник, електропровідне мастило тощо.
- Зберігайте бездротовий модуль в упаковці з комплекту постачання або в контейнері, захищеному від дії статичної електрики.
- Не вставляйте у відсік інструмента будь-які інші пристрої, крім бездротового модуля Makita.
- Не використовуйте інструмент із пошкодженою кришкою відсіку. Потраплення у відсік води, пилу та бруду може привести до несправності.
- Не тягніть і не скручуйте кришку відсіку більше, ніж необхідно. Установіть кришку на місце, якщо вона від'єдналася від інструмента.
- Замініть кришку відсіку, якщо її було загулено або пошкоджено.

## ЗБЕРІГАЙТЕ ЦІ ВКАЗІВКИ.

## ОПИС РОБОТИ

**⚠ ОБЕРЕЖНО:** Обов'язково переконайтеся, що прилад вимкнено, а касету з акумулятором знято, перед регулюванням або перевіркою функціонування інструмента.

## Встановлення та зняття касети з акумулятором

**⚠ ОБЕРЕЖНО:** Завжди вимикайте інструмент перед встановленням або зняттям касети з акумулятором.

**⚠ ОБЕРЕЖНО:** Під час встановлення або зняття касети з акумулятором слід міцно тримати інструмент та касету з акумулятором. Якщо ви утримуватимете інструмент та касету з акумулятором недостатньо міцно, вони можуть вислизнути з рук, що може призвести до пошкодження інструмента та касети з акумулятором або може спричинити травми.

**⚠ ОБЕРЕЖНО:** Не використовуйте разом із циркулярною пилою адаптер акумулятора. Кабель адаптера може ускладнити роботу з пилою й призвести до травмування.

► Рис.7: 1. Червоний індикатор 2. Кнопка 3. Касета з акумулятором

Щоб зняти касету з акумулятором, слід витягнути її з інструмента, натиснувши на кнопку в передній частині касети.

Щоб установити касету з акумулятором, слід сумістити виступ на касеті з акумулятором із пазом у корпусі та вставити касету на місце. Її необхідно вставити повністю, аж доки не почуєте клацання. Якщо на верхній частині кнопки помітний червоний індикатор, це означає, що касета з акумулятором установлена не до кінця.

**⚠ ОБЕРЕЖНО:** Завжди вставляйте касету з акумулятором повністю, щоб червоного індикатора не було видно. Якщо цього не зробити, касета може випадково випасти з інструмента та завдати травми вам або людям, що знаходяться поряд.

**⚠ ОБЕРЕЖНО:** Не встановлюйте касету з акумулятором із зусиллям. Якщо касета не вставляється легко, то це означає, що ви її неправильно вставляєте.

## Система захисту інструмента/акумулятора

Інструмент оснащено системою захисту інструмента/акумулятора. Ця система автоматично вимикає живлення двигуна з метою збільшення терміну служби інструмента та акумулятора. Інструмент автоматично зупиняється під час роботи, якщо він або акумулятор перебувають у зазначених нижче умовах. За певних умов загоряються індикатори.

## Захист від перевантаження

Якщо під час використання інструмента/акумулятора споживається забагато струму, інструмент автоматично зупиняється. У такому випадку вимкніть інструмент і припиніть роботу, під час виконання якої сталося перевантаження інструмента. Щоб перезапустити інструмент, увімкніть його знову.

## Захист від перегрівання


Коли інструмент/акумулятор перегріється, інструмент зупиниться автоматично. У такій ситуації зачекайте, доки інструмент охолоне, перш ніж знову його ввімкнути.

## Захист від надмірного розрядження

Коли заряд акумулятора стає замалим, інструмент автоматично зупиняється. Якщо інструмент не працює, навіть коли задіяні вмикачі, необхідно витягнути з інструмента акумулятори та зарядити їх.

## Відображення залишкового заряду акумулятора

Натисніть кнопку перевірки на касеті з акумулятором для відображення залишкового ресурсу акумулятора. Індикаторні лампи загоряться на кілька секунд.  
► Рис.8: 1. Індикаторні лампи 2. Кнопка перевірки

Індикаторні лампи			Залишковий ресурс
 Горить	 Вимк.	 Блимає	
			від 75 до 100%
			від 50 до 75%
			від 25 до 50%
			від 0 до 25%
			Зарядіть акумулятор.
			Можливо, акумулятор вийшов з ладу.
			

**ПРИМІТКА:** Залежно від умов використання та температури оточуючого середовища показання можуть незначним чином відрізнитися від дійсного ресурсу.

**ПРИМІТКА:** Перша (дальня ліва) індикаторна лампа блимає під час роботи захисної системи акумулятора.

## Регулювання глибини різання

**⚠ОБЕРЕЖНО:** Після регулювання глибини різання необхідно надійно затягнути важіль.

Послабте важіль на напрямній глибини та пересуньте основу вгору або вниз. На необхідній глибині різання закріпіть основу, затягнувши важіль. Для забезпечення акуратнішого та безпечнішого різання відрегулюйте глибину різання таким чином, щоб за межі деталі виходило не більше одного зубця диска. Належна глибина різання допомагає знизити потенційну небезпеку ВІДДАЧІ, яка може призвести до травмування.

► Рис.9: 1. Важіль

## Різання під кутом

**⚠ОБЕРЕЖНО:** Після регулювання кута нахилу необхідно надійно затягнути важіль.

**⚠ОБЕРЕЖНО:** Перш ніж здійснювати різання під кутом, зніміть бокову рукоятку (ручку).

► Рис.10: 1. Бокова рукоятка (ручка)

Послабте важіль і встановіть бажаний кут, відповідно нахиливши основу, а потім надійно затягніть важіль.

► Рис.11: 1. Важіль

## Упор-обмежувач

Упор-обмежувач корисний для швидкого встановлення визначеного кута. Поверніть упор-обмежувач таким чином, щоб стрілка на ньому вказувала на потрібний кут нахилу (приблизно 22,5°/ 45°/ 56°). Послабте важіль, а потім нахилляйте основу інструмента, доки він не зупиниться. Положення, у якому основа інструмента зупиняється, відповідає куту, установленому за допомогою упора-обмежувача. Закріпіть основу в цьому положенні, затягнувши важіль.

► Рис.12: 1. Упор-обмежувач

## Візування

Для виконання прямих розрізів необхідно сумістити положення 0° спереду основи з лінією різання. Для різання з кутом нахилу 45° необхідно сумістити положення 45° з лінією різання.

► Рис.13: 1. Лінія різання (положення 0°) 2. Лінія різання (положення 45°)

## Дія вмикача

**⚠ПОПЕРЕДЖЕННЯ:** Перед тим як вставляти касету з акумулятором в інструмент, обов'язково перевірте, чи курок вмикача спрацьовує належним чином та повертається у положення «ВИМК.», коли його відпускають.

**⚠ПОПЕРЕДЖЕННЯ:** ЗАБОРОНЕНО змінювати стан кнопки блокування вимкненого положення шляхом її затискання за допомогою стрічки або будь-яким іншим чином. Використання вмикача з несправною кнопкою блокування вимкненого положення може призвести до ненавмисного увімкнення та серйозних травм.

**⚠ПОПЕРЕДЖЕННЯ:** ЗАБОРОНЕНО користуватися інструментом, якщо він вмикається простим натисканням курка вмикача без натискання кнопки блокування вимкненого положення. Використання вмикача, який потребує ремонту, може спричинити ненавмисне увімкнення та серйозні травми. ПЕРЕД подальшим використанням інструмент слід передати до сервісного центру Makita для ремонту.

**⚠ОБЕРЕЖНО:** Одразу після відпускання курка вмикача активується система гальмування диска циркулярної пили. Міцно тримайте інструмент, щоб протидіяти віддачі системи гальмування, яка виникає під час відпускання курка вмикача. В іншому разі ви можете випустити інструмент із рук і травмуватися.

Для запобігання випадковому натисканню курка вмикача передбачено кнопку блокування вимкненого положення. Щоб увімкнути інструмент, натисніть кнопку блокування вимкненого положення та натисніть на курок вмикача. Щоб зупинити роботу, відпустіть курок вмикача.

► Рис.14: 1. Курок вмикача 2. Кнопка блокування вимкненого положення

**УВАГА:** Ніколи не натискайте із силою на курок вмикача, якщо кнопка блокування вимкненого положення не натиснута. Це може призвести до поломки вмикача.

## Електричне гальмо

Цей інструмент оснащено електричним гальмом диска. Якщо після відпускання пускового важеля диск циркулярної пили часто продовжує обертатися протягом певного часу, віднесіть інструмент до сервісного центру Makita для обслуговування.

**⚠ОБЕРЕЖНО:** Гальмівна система диска не замінює захисний кожух диска. ЗАБОРОНЕНО ВИКОРИСТОВУВАТИ ІНСТРУМЕНТ, ЯКЩО КОЖУХ ДИСКА НЕ ПРАЦЮЄ. ЦЕ МОЖЕ ПРИЗВЕСТИ ДО ВАЖКИХ ТРАВМ.

## Функції електронного обладнання

Інструменти з електронними функціями є простими в експлуатації завдяки зазначеним нижче особливостям конструкції.

### Функція плавного запуску

Плавний запуск за рахунок стримування ривка під час запуску.

## ЗБОРКА

**⚠ ОБЕРЕЖНО:** Обов'язково переконайтеся, що прилад вимкнено, а касету з акумулятором знято, перш ніж проводити будь-які роботи з інструментом.

### Зберігання колінчастого ключа

Коли колінчастий ключ не використовується, зберігайте його, як показано на рисунку, щоб він не загубився.

► **Рис.15:** 1. Колінчастий ключ

### Зняття та встановлення диска циркулярної пили

**⚠ ОБЕРЕЖНО:** Обов'язково встановлюйте диск циркулярної пили зубцями вгору на передній частині інструмента.

**⚠ ОБЕРЕЖНО:** Для встановлення або зняття диска циркулярної пили слід використовувати тільки колінчастий ключ виробництва компанії Makita.

Щоб зняти диск циркулярної пили, повністю натисніть на замок вала таким чином, щоб диск не міг обертатися, і послабте болт із шестигранною головою колінчастим ключем. Видаліть болт із шестигранною головою, зовнішній фланець, диск циркулярної пили й кільце (залежить від країни).

► **Рис.16:** 1. Замок вала 2. Колінчастий ключ 3. Послаблення 4. Затягування

### Для інструмента без кільця

► **Рис.17:** 1. Болт із шестигранною головою 2. Зовнішній фланець 3. Диск циркулярної пили 4. Стрілка на диску циркулярної пили 5. Внутрішній фланець 6. Стрілка на інструменті

### Для інструмента з кільцем

► **Рис.18:** 1. Болт із шестигранною головою 2. Зовнішній фланець 3. Диск циркулярної пили 4. Стрілка на диску циркулярної пили 5. Кільце 6. Внутрішній фланець 7. Стрілка на інструменті

Щоб встановити диск циркулярної пили, виконайте процедуру його зняття у зворотному порядку. Установіть диск циркулярної пили таким чином, щоб стрілка на диску вказувала в тому ж напрямку, що й стрілка на інструменті.

## Для інструмента із внутрішнім фланцем для диска пили з діаметром отвору, відмінним від 15,88 мм

Внутрішній фланець має виступ певного діаметра з одного боку та виступ іншого діаметра з протилежного боку. Виберіть правильну сторону, виступ на якій точно підходить до отвору диска циркулярної пили. Установіть внутрішній фланець на вал для кріплення таким чином, щоб внутрішній фланець був спрямований стороною з виступом правильного розміру назовні, після чого встановіть диск циркулярної пили й зовнішній фланець.

► **Рис.19:** 1. Вал кріплення 2. Внутрішній фланець 3. Диск циркулярної пили 4. Зовнішній фланець 5. Болт із шестигранною головою

**⚠ ПОПЕРЕДЖЕННЯ:** ПЕРЕВІРТЕ, ЩОБ БОЛТ ІЗ ШЕСТИГРАННОЮ ГОЛОВКОЮ БУВ НАДІЙНО ЗАТЯГНУТИЙ ПРОТИ ГОДИННИКОВОЇ СТІЛКИ. Також не можна затягувати болт із надмірною силою. Зісковзування руки із шестигранного ключа може спричинити травмування.

**⚠ ПОПЕРЕДЖЕННЯ:** Переконайтеся, що спрямований назовні виступ «а» на внутрішньому фланці точно підходить до отвору «а» диска пили. Установлення диска циркулярної пили неправильною стороною може призвести до виникнення небезпечної вібрації.

## Для інструмента з внутрішнім фланцем для диска пили з діаметром отвору 15,88 мм (залежить від країни продажу)

Встановіть внутрішній фланець виточеною частиною назовні на вал кріплення, потім установіть диск пили (за необхідності із прикріпленням кільцем), зовнішній фланець та болт із шестигранною головою.

### Для інструмента без кільця

► **Рис.20:** 1. Вал кріплення 2. Внутрішній фланець 3. Диск циркулярної пили 4. Зовнішній фланець 5. Болт із шестигранною головою

### Для інструмента з кільцем

► **Рис.21:** 1. Вал кріплення 2. Внутрішній фланець 3. Диск циркулярної пили 4. Зовнішній фланець 5. Болт із шестигранною головою 6. Кільце

**⚠ ПОПЕРЕДЖЕННЯ:** ПЕРЕВІРТЕ, ЩОБ БОЛТ ІЗ ШЕСТИГРАННОЮ ГОЛОВКОЮ БУВ НАДІЙНО ЗАТЯГНУТИЙ ПРОТИ ГОДИННИКОВОЇ СТІЛКИ. Також не можна затягувати болт із надмірною силою. Зісковзування руки із шестигранного ключа може спричинити травмування.

**⚠ ПОПЕРЕДЖЕННЯ:** Якщо для встановлення диска циркулярної пили на шпindel потрібне кільце, обов'язково переконайтеся, що між внутрішнім та зовнішнім фланцями встановлено кільце належного розміру для того шпindel'ного отвору диска пили, який буде використовуватися. Використання неправильного кільця для шпindel'ного отвору може призвести до неналежного кріплення диска циркулярної пили та, як наслідок, до його зміщення й сильної вібрації, що може призвести до втрати контролю над інструментом під час роботи й отримання серйозних травм.



## Очищення захисного кожуха диска

Під час заміни диска циркулярної пили обов'язково також прочистіть верхній та нижній захисні кожухи диска від тирси, що накопичилась, як зазначено в розділі «Технічне обслуговування». Однак такі дії не є заміною необхідної перевірки роботи нижнього захисного кожуха перед кожним використанням.

## Встановлення бокової рукоятки (ручки)

**▲ ОБЕРЕЖНО:** Перед початком роботи необхідно перевірити надійність кріплення бокової рукоятки.

**▲ ОБЕРЕЖНО:** Перш ніж здійснювати різання під кутом, зніміть бокову рукоятку (ручку). Якщо різати під кутом, не знявши бокову рукоятку (ручку), вона може торкнутися оброблюваної деталі або вашого тіла і спричинити віддачу чи травмування.

**▲ ОБЕРЕЖНО:** Слідкуйте за тим, щоб не вдарити пальці об бокову рукоятку (ручку) під час відкривання або закривання нижнього захисного кожуха.

За бокову рукоятку (ручку) зручно тримати інструмент під час роботи або перенесення. Для встановлення бокової рукоятки (ручки) укрутіть її, щоб зафіксувати на інструменті, як показано на рисунку.

► **Рис.22:** 1. Бокова рукоятка (ручка)

## Під'єднання пилососа

### Додаткове приладдя

**▲ ОБЕРЕЖНО:** Слідкуйте за тим, щоб шланг не заплутався в оброблюваній деталі. Це може призвести до травмування внаслідок віддачі.

**ПРИМІТКА:** Щоб не загубити гумовий ковпачок, закріпіть його на передній панелі інструмента.

**ПРИМІТКА:** Коли пилосос не використовується, прикріпіть гумовий ковпачок до штуцера для пилу.

Зніміть гумовий ковпачок зі штуцера для пилу й під'єднайте шланг пилососа, як показано.

► **Рис.23:** 1. Гумовий ковпачок

Підключіть пилосос Makita до інструмента.

► **Рис.24:** 1. Гумовий ковпачок 2. Пилосос 3. Шланг 4. Штуцер для пилу

## РОБОТА

Цей інструмент призначено тільки для різання лісоматеріалів.

Для отримання інформації про диски циркулярної пили, що підходять для розрізання вибраного матеріалу, завітайте на наш веб-сайт або зверніться до місцевого дилера компанії Makita.

## Перевірка роботи захисного кожуху

Установіть кут нахилу на 0°, уручну висуньте нижній захисний кожух до кінця й вийміть його. Нижній кожух працює правильно, якщо:

- він виходить над основою без будь-яких перешкод;
- він автоматично повертається до торкання обмежувача.

► **Рис.25:** 1. Верхній захисний кожух 2. Нижній захисний кожух 3. Основа 4. Обмежувач 5. Напрямок відкривання 6. Напрямок закривання

Якщо нижній захисний кожух не працює правильно, переконайтеся в тому, що ошурки збираються всередині верхніх і нижніх захисних кожухів. Якщо нижній кожух не працює правильно навіть після видалення пилу, віднесіть інструмент до сервісного центру Makita для обслуговування.

**▲ ОБЕРЕЖНО:** Під час різання надягайте респіратор.

**▲ ОБЕРЕЖНО:** Обов'язково плавно рухайте інструмент вздовж прямої лінії. Докладання зусиль або перекручування інструмента можуть призвести до його перегріву та небезпечної віддачі, що в свою чергу може призвести до серйозних травм.

**ПРИМІТКА:** Якщо температура касети з акумулятором низька, інструмент не може працювати на повну потужність. У такому разі інструмент слід використовувати на легких режимах різання, доки температура касети з акумулятором не підніметься до кімнатної. Потім інструмент може працювати на повну потужність.

► **Рис.26**

Тримайте інструмент міцно. Інструмент оснащено передньою та задньою ручками. Тримайте інструмент за обидві ручки. Щоб не порізати руки диском циркулярної пили, тримайте її обома руками. Встановіть основу на робочу деталь таким чином, щоб диск циркулярної пили не торкався деталі. Увімкніть інструмент та зачекайте, поки диск циркулярної пили не набере повної швидкості. Тоді просто плавно пересувайте інструмент прямо по робочій деталі, притискаючи його до поверхні, до завершення розпилювання.

Щоб розпилювання було чистим, намагайтеся дотримуватись прямої лінії розпилювання та рівномірної швидкості просування. Якщо лінія розпилювання не відповідатиме вашим потребам, не намагайтесь насильно повернути інструмент до лінії розпилювання. Це може призвести до згинання диска циркулярної пили та спричинити небезпечну віддачу та важкі травми. Відпустіть вмикач, дочекайтеся повної зупинки диска циркулярної пили та витягніть інструмент із робочої деталі. Виставте інструмент на нову лінію різання та знову почніть різання. Уникайте такого розташування пилу, коли стружка та пил з-під неї потрапляють на оператора. Використовуйте засоби захисту очей, щоб уникнути травмування.

## Гачок

**⚠ОБЕРЕЖНО:** Підвішуючи інструмент за гачок, завжди знімайте акумулятор.

**⚠ОБЕРЕЖНО:** Ніколи не підвішуйте інструмент занадто високо або на поверхнях, де він може втратити рівновагу й упасти. В іншому випадку інструмент може власти й завдати важкої травми.

**⚠ОБЕРЕЖНО:** Не тягніть підвішений інструмент униз.

**⚠ОБЕРЕЖНО:** Використовуйте деталі для підвішування й монтажу лише за призначенням. Використання цих деталей не за призначенням може призвести до нещасного випадку або травми.

**⚠ОБЕРЕЖНО:** У жодному разі не підвішуйте інструмент, якщо гачок пошкоджений. В іншому разі інструмент може власти й завдати важкої травми.

Гачок використовується для тимчасового підвішування інструмента. Для використання гачка просто підіймайте його, доки його не буде переведено у відкрите положення (до клацання).

Коли гачок не використовується, слід завжди опустити його в закриті положення (до клацання).

► **Рис.27:** 1. Гачок 2. Відкрите положення 3. Закрите положення

► **Рис.28**

## Напрямна планка (ресстрова мітка)

### Додаткове приладдя

Зручна напрямна планка дозволяє робити надзвичайно точні прямі розрізи. Слід просто пересунути напрямну планку впригол до краю деталі та закріпити її в положенні за допомогою гвинта в передній частині основи. Це також дає змогу багаторазово виконувати розрізи однакової ширини.

► **Рис.29:** 1. Напрямна планка (ресстрова мітка) 2. Затискний гвинт

## ФУНКЦІЯ БЕЗДРОТОВОЇ АКТИВАЦІЇ

### Для чого призначена функція бездротової активації

Використання функції бездротової активації забезпечує чистоту та комфортну роботу. Після під'єднання до інструмента сумісного пилососа його можна буде автоматично запускати разом з інструментом.

► **Рис.30**

Щоб скористатися функцією бездротової активації, підготуйте наступні компоненти:

- бездротовий модуль (додаткове обладнання);
- пилосос, який підтримує функцію бездротової активації.

Налаштування функції бездротової активації наведено далі. Щоб отримати докладні інструкції, зверніться до відповідного розділу.

1. Установлення бездротового модуля
2. Реєстрація інструмента для пилососа
3. Увімкнення функції бездротової активації

## Установлення бездротового модуля

### Додаткове приладдя

**⚠ОБЕРЕЖНО:** Під час установлення бездротового модуля розташуйте інструмент на рівній і стійкій поверхні.

**УВАГА:** Перед установленням бездротового модуля очистіть інструмент від пилу та бруду. Пил або бруд можуть стати причиною несправності, якщо вони потраплять у відсік бездротового пристрою.

**УВАГА:** Щоб уникнути несправностей, викликаних статичною електрикою, перш ніж торкатися бездротового модуля, доторкніться до деталі, яка допоможе зняти електростатичний заряд, наприклад до металевої частини інструменту.

**УВАГА:** Під час установлення бездротового модуля завжди стежте за тим, щоб уставляти його правильною стороною та щоб кришка відсіку була повністю закрыта.

1. Відкрийте кришку на інструменті, як показано на малюнку.

► **Рис.31:** 1. Кришка

2. Вставте бездротовий модуль у відсік і закрийте кришку.

Під час установлення бездротового модуля сумістіть виступи із заглибленнями у відсіку.

► **Рис.32:** 1. Бездротовий модуль 2. Виступ 3. Кришка 4. Заглиблення

Під час вивільнення бездротового модуля відкривайте кришку повільно. Гачки на зворотному боці кришки зачеплять бездротовий модуль, якщо потягнути за кришку.

► **Рис.33:** 1. Бездротовий модуль 2. Гачок 3. Кришка

Після зняття бездротового модуля зберігайте його в упаковці з комплекту постачання або в контейнері, захищеному від дії статичної електрики.

**УВАГА:** Під час вивільнення бездротового модуля завжди використовуйте гачки на зворотному боці кришки. Якщо гачки не захопили бездротовий модуль, повністю закрийте кришку та знову повільно відкрийте її.

## Реєстрація інструмента для пилососа

**ПРИМІТКА:** Для реєстрації інструмента потрібно мати пилосос Makita, який підтримує функцію бездротової активації.

**ПРИМІТКА:** Установіть бездротовий модуль в інструмент перед початком реєстрації.

**ПРИМІТКА:** Під час реєстрації інструмента не натискайте курок вмикача або кнопку живлення пилососа.

**ПРИМІТКА:** Див. також посібник з експлуатації пилососа.

Для ввімкнення пилососа одночасно з інструментом спочатку виконайте реєстрацію інструмента.

1. Уставте акумулятори в пилосос та інструмент.

2. Установіть перемикач режиму очікування на пилососі в положення «АUTO».

► **Рис.34:** 1. Перемикач режиму очікування

3. Натисніть кнопку бездротової активації на пилососі та втримуйте її протягом 3 секунд, поки індикатор бездротової активації не почне блимати зеленим кольором. Потім так само натисніть кнопку бездротової активації на інструменті.

► **Рис.35:** 1. Кнопка бездротової активації  
2. Індикатор бездротової активації

Якщо пилосос та інструмент з'єднані успішно, індикатори бездротової активації світлитимуться зеленим світлом протягом 2 секунд, а потім почнуть блимати синім кольором.

**ПРИМІТКА:** Індикатори бездротової активації припинять блимати зеленим кольором за 20 секунд. Натисніть кнопку бездротової активації на інструменті, поки блимає індикатор бездротової активації на пилососі. Якщо індикатор бездротової активації не блимає зеленим, короткочасно натисніть кнопку бездротової активації, а потім знову натисніть і втримуйте її.

**ПРИМІТКА:** Якщо потрібно зареєструвати два або більше інструментів для одного пилососа, виконайте реєстрацію інструментів послідовно, один за одним.

## Увімкнення функції бездротової активації

**ПРИМІТКА:** Завершіть реєстрацію інструмента для пилососа до використання бездротової активації.

**ПРИМІТКА:** Див. також посібник з експлуатації пилососа.

Після реєстрації інструмента пилосос вмикається автоматично, коли починає працювати інструмент.

1. Установіть бездротовий модуль в інструмент.

2. З'єднайте шланг пилососа з інструментом.

► **Рис.36**

3. Установіть перемикач режиму очікування на пилососі в положення «АUTO».

► **Рис.37:** 1. Перемикач режиму очікування

4. Натисніть і відпустіть кнопку бездротової активації на інструменті. Індикатор бездротової активації почне блимати синім кольором.

► **Рис.38:** 1. Кнопка бездротової активації  
2. Індикатор бездротової активації

5. Натисніть на курок вмикача інструмента. Перевірте, чи працює пилосос, коли натиснуто курок вмикача.

Щоб вимкнути бездротову активацію пилососа, натисніть кнопку бездротової активації на інструменті.

**ПРИМІТКА:** Індикатор бездротової активації на інструменті припинить блимати синім, якщо він не використовується протягом 2 годин. У цьому випадку встановіть перемикач режиму очікування на пилососі в положення «АUTO» та знову натисніть кнопку бездротової активації на інструменті.

**ПРИМІТКА:** Пилосос вмикається та зупиняється із затримкою. Існує затримка, коли пилосос визначає перемикач інструмента в робочий режим.

**ПРИМІТКА:** Дальність передачі бездротового модуля змінюється в залежності від місця розташування й навколишніх умов.

**ПРИМІТКА:** Якщо для одного пилососа зареєстровано два або більше інструментів, пилосос може почати працювати, навіть якщо не натиснуто курок вмикача, коли інший користувач застосовує функцію бездротової активації.

## Опис стану індикатора бездротової активації

### ► Рис.39: 1. Індикатор бездротової активації

Індикатор бездротової активації відображає стан функції бездротової активації. Значення стану індикатора див. у таблиці нижче.

Стан	Індикатор бездротової активації				Опис
	Колір	 Увімк.	 Блімає	Тривалість	
Режим очікування	Синій			2 години	Доступна бездротова активація пилососа. Індикатор автоматично вимкнеться, якщо протягом 2 годин не буде виконуватися ніяка операція.
				Коли інструмент працює.	Доступна бездротова активація пилососа, інструмент працює.
Реєстрація інструмента	Зелений			20 секунд	Готовність до реєстрації інструмента. Очікування реєстрації пилососом.
				2 секунди	Реєстрація інструмента завершена. Індикатор бездротової активації починає блимати синім кольором.
Скасування реєстрації інструмента	Червоний			20 секунд	Готовність до скасування реєстрації інструмента. Очікування скасування пилососом.
				2 секунди	Скасування реєстрації інструмента завершено. Індикатор бездротової активації починає блимати синім кольором.
Інше	Червоний			3 секунди	На бездротовий модуль подається живлення, функція бездротової активації вмикається.
	Вимк.	—		—	Бездротова активація пилососа вимкнена.

## Скасування реєстрації інструмента для пилососа

Виконайте наступні дії, щоб скасувати реєстрацію інструмента для пилососа.

1. Уставте акумулятори в пилосос та інструмент.
2. Установіть перемикач режиму очікування на пилососі в положення «АUTO».

### ► Рис.40: 1. Перемикач режиму очікування

3. Натискайте кнопку бездротової активації на пилососі протягом 6 секунд. Індикатор бездротової активації почне блимати зеленим, а потім загориться червоним кольором. Після цього так само натисніть кнопку бездротової активації на інструменті.

### ► Рис.41: 1. Кнопка бездротової активації 2. Індикатор бездротової активації

Якщо скасування виконано успішно, індикатори бездротової активації світлитимуться червоним світлом протягом 2 секунд, а потім почнуть блимати синім кольором.

**ПРИМІТКА:** Індикатори бездротової активації припинять блимати червоним кольором за 20 секунд. Натисніть кнопку бездротової активації на інструменті, поки блимає індикатор бездротової активації на пилососі. Якщо індикатор бездротової активації не блимає червоним, короткочасно натисніть кнопку бездротової активації, а потім знову натисніть і втримуйте її.

## Усунення несправностей функції бездротової активації

Перш ніж звертатися з приводу ремонту інструмента, проведіть його перевірку самостійно. У разі виявлення несправності, яку не описано в цьому посібнику, не намагайтеся розібрати інструмент. Натомість зверніться до авторизованих сервісних центрів Makita та використовуйте для ремонту тільки запасні частини виробництва компанії Makita.

Стан відхилення від норми	Можлива причина (несправність)	Спосіб виправлення
Індикатор бездротової активації не світиться або не блимає.	Бездротовий модуль не встановлено в інструмент. Бездротовий модуль встановлено в інструмент неправильно.	Установіть бездротовий модуль.
	Контакти бездротового модуля або роз'єм забруднені.	Акуратно витріть пил і бруд на контактах бездротового модуля та очистіть роз'єм.
	Кнопку бездротової активації на інструменті не натиснуто.	Натисніть і відпустіть кнопку бездротової активації на інструменті.
	Перемикач режиму очікування на пилососі не встановлено в положення «AUTO».	Установіть перемикач режиму очікування на пилососі в положення «AUTO».
	Відсутнє живлення	Підключіть інструмент і пилосос до джерела живлення.
Неможливо успішно закінчити реєстрацію інструмента або скасувати реєстрацію інструмента.	Бездротовий модуль не встановлено в інструмент. Бездротовий модуль встановлено в інструмент неправильно.	Установіть бездротовий модуль.
	Контакти бездротового модуля або роз'єм забруднені.	Акуратно витріть пил і бруд на контактах бездротового модуля та очистіть роз'єм.
	Перемикач режиму очікування на пилососі не встановлено в положення «AUTO».	Установіть перемикач режиму очікування на пилососі в положення «AUTO».
	Відсутнє живлення	Підключіть інструмент і пилосос до джерела живлення.
	Неправильна операція	Натисніть і відпустіть кнопку бездротової активації, а потім знову виконайте процедуру реєстрації або скасування реєстрації.
	Інструмент і пилосос знаходяться далеко один від одного (за межами радіуса дії передавача).	Розташуйте інструмент і пилосос ближче один до одного. Максимальна відстань передачі складає близько 10 м, проте вона залежить від конкретних умов експлуатації.
	Перед закінченням реєстрації або скасування реєстрації інструмента: - натиснуто курок вмикача на інструменті або - натиснуто кнопку живлення на пилососі.	Натисніть і відпустіть кнопку бездротової активації, а потім знову виконайте процедуру реєстрації або скасування реєстрації.
	Процедура реєстрації для інструмента або пилососа не завершена.	Виконайте дії з реєстрації, які стосуються інструмента й пилососа, в один часовий проміжок.
	Радіоперешкоди від інших приладів, які генерують радіохвилі високої потужності.	Тримайте інструмент і пилосос подаль від приладів, як-от пристрої Wi-Fi і мікрохвильові печі.
Пилосос не вмикається під час роботи інструмента.	Бездротовий модуль не встановлено в інструмент. Бездротовий модуль встановлено в інструмент неправильно.	Установіть бездротовий модуль.
	Контакти бездротового модуля або роз'єм забруднені.	Акуратно витріть пил і бруд на контактах бездротового модуля та очистіть роз'єм.
	Кнопку бездротової активації на інструменті не натиснуто.	Натисніть і відпустіть кнопку бездротової активації та переконайтеся, що індикатор бездротової активації блимає синім кольором.
	Перемикач режиму очікування на пилососі не встановлено в положення «AUTO».	Установіть перемикач режиму очікування на пилососі в положення «AUTO».
	У пилососі зареєстровано понад 10 інструментів.	Виконайте реєстрацію інструмента ще раз. Якщо в пилососі зареєстровано понад 10 інструментів, дані про інструмент, який було зареєстровано найпершим, будуть автоматично вилучені.
	Пилосос вилучив дані про реєстрацію всіх інструментів.	Виконайте реєстрацію інструмента ще раз.
	Відсутнє живлення	Підключіть інструмент і пилосос до джерела живлення.
	Інструмент і пилосос знаходяться далеко один від одного (за межами радіуса дії передавача).	Розташуйте інструмент і пилосос ближче один до одного. Максимальна відстань передачі складає близько 10 м, проте вона залежить від конкретних умов експлуатації.
Радіоперешкоди від інших приладів, які генерують радіохвилі високої потужності.	Тримайте інструмент і пилосос подаль від приладів, як-от пристрої Wi-Fi і мікрохвильові печі.	

Стан відхилення від норми	Можлива причина (несправність)	Спосіб виправлення
Пилосос працює, коли не натиснуто курок вмикача.	Інші користувачі застосовують функцію бездротової активації пилососа з їхніми інструментами.	Вимкніть за допомогою кнопки бездротову активацію інших інструментів або скауйте їх реєстрацію.

## ТЕХНІЧНЕ ОБСЛУГОВУВАННЯ

**⚠ ОБЕРЕЖНО:** Перед здійсненням перевірки або обслуговування завжди перевіряйте, щоб інструмент був вимкнений, а касета з акумулятором була знята.

**⚠ ОБЕРЕЖНО:** Очистіть нижній та верхній захисні кожухи диска і переконайтеся у тому, що на них немає тирси, яка може зашкодити роботі захисної системи нижнього захисного кожуха. Засміченість захисної системи може обмежити належну функціональність, і це може призвести до отримання серйозних травм. Найефективнішим способом чищення є використання стиснутого повітря. Під час видування пилу з захисного кожуха диска обов'язково вдягайте відповідні засоби захисту органів зору та дихання.

**⚠ ОБЕРЕЖНО:** Після кожного використання видаляйте ошурки з інструменту. Дрібні ошурки можуть потрапити всередину інструмента й призвести до неполадки або загоряння.

**УВАГА:** Ніколи не використовуйте газолін, бензин, розріджувач, спирт та подібні речовини. Їх використання може призвести до зміни кольору, деформації або появи тріщин.

Для забезпечення БЕЗПЕКИ та НАДІЙНОСТІ продукції, її ремонт, а також роботи з обслуговування або регулювання повинні виконуватись уповноваженими або заводськими сервісними центрами Makita із використанням запчастин виробництва компанії Makita.

### Регулювання точності різання 0°

Це регулювання було виконано на заводі. За необхідності регулювання можна виконати, як описано далі.

1. Злегка послабте важіль на кутовій лінійці.
2. Установіть основу перпендикулярно до диска за допомогою косинця, повертаючи гвинт регулювання.  
► **Рис.42:** 1. Косинець 2. Гвинт регулювання
3. Затягніть важіль, а потім зробіть тестовий розріз для перевірки вертикальності.

## ДОДАТКОВЕ ПРИЛАДДЯ

**⚠ ОБЕРЕЖНО:** Це додаткове та допоміжне обладнання рекомендовано використовувати з інструментом Makita, зазначеним у цій інструкції з експлуатації. Використання будь-якого іншого додаткового та допоміжного обладнання може становити небезпеку травмування. Використовуйте додаткове та допоміжне обладнання лише за призначенням.

У разі необхідності отримати допомогу в більш детальному ознайомленні з оснащенням звертайтеся до місцевого сервісного центру Makita.

- Диск циркулярної пили
- Колінчастий ключ
- Напрямна планка (напрямна лінійка)
- Оригінальний акумулятор та зарядний пристрій Makita

**ПРИМІТКА:** Деякі елементи списку можуть входити до комплекту інструмента як стандартне приладдя. Вони можуть відрізнятися залежно від країни.



## SPECIFICAȚII

<b>Model:</b>		<b>RS002G</b>
Diametrul pânzei		260 mm
Adâncime maximă de tăiere	la 0°	95,0 mm
	la înclinație de 45°	70,0 mm
	la înclinație de 56°	54,5 mm
Turație în gol		4.000 min <sup>-1</sup>
Lungime totală		489 mm
Tensiune nominală		Max. 36 V - 40 V cc.
Greutate netă		5,7 - 6,3 kg

- Datorită programului nostru continuu de cercetare și dezvoltare, specificațiile pot fi modificate fără o notificare prealabilă.
- Specificațiile pot varia în funcție de țară.
- Greutatea poate diferi în funcție de accesoriu(ii), inclusiv cartușul acumulatorului. În tabel se prezintă combinația cea mai ușoară și cea mai grea, conform Procedurii EPTA 01/2014.

## Cartușul acumulatorului și încărcătorul aplicabile

Cartușul acumulatorului	BL4020 / BL4025 / BL4040 / BL4050F* * : Acumulator recomandat
Încărcător	DC40RA / DC40RB / DC40RC

- Este posibil ca unele cartușe ale acumulatorilor și încărcătoare menționate mai sus să nu fie disponibile în funcție de regiunea dvs. de reședință.

**⚠️ AVERTIZARE:** Utilizați numai cartușele de acumulator și încărcătoarele enumerate mai sus. Utilizarea oricăror altor cartușe de acumulator și încărcătoare poate duce la rănire și/sau incendiu.

## Destinația de utilizare

Mașina este destinată executării tăierilor longitudinale și transversale, drepte și oblice, în lemn, menținând un contact ferm cu piesa de prelucrat.

## Zgomot

Nivelul de zgomot normal ponderat A determinat în conformitate cu EN62841-2-5:

Nivel de presiune acustică ( $L_{pA}$ ): 96 dB(A)

Nivel de putere acustică ( $L_{WA}$ ): 107 dB (A)

Marjă de eroare (K): 3 dB(A)

**NOTĂ:** Valoarea (valorile) totală(e) a (ale) emisiilor de zgomot declarate a(u) fost măsurată(e) în conformitate cu o metodă de test standard și poate (pot) fi utilizată(e) pentru compararea unei unelte cu alta.

**NOTĂ:** Valoarea (valorile) totală(e) a (ale) emisiilor de zgomot declarate poate (pot) fi, de asemenea, utilizată(e) într-o evaluare preliminară a expunerii.

**⚠️ AVERTIZARE:** Purtați echipament de protecție pentru urechi.

**⚠️ AVERTIZARE:** Emisiile de zgomot în timpul utilizării efective a unelei electrice poate diferi de valoarea (valorile) nivelului declarat, în funcție de modul în care unealta este utilizată, în special ce fel de piesă este prelucrată.

**⚠️ AVERTIZARE:** Asigurați-vă că identificați măsurile de siguranță pentru a proteja operatorul, acestea fiind bazate pe o estimare a expunerii în condiții reale de utilizare (luând în considerare toate părțile ciclului de operare, precum timpii în care unealta a fost oprită, sau a funcționat în gol, pe lângă timpul de declanșare).

## Vibrații

Valoarea totală a vibrațiilor (suma vectorilor tri-axiali) determinată conform EN62841-2-5:

Mod de lucru: tăiere lemn

Emisie de vibrații ( $a_{h,w}$ ): 2,5 m/s<sup>2</sup> sau mai puțin

Marjă de eroare (K): 1,5 m/s<sup>2</sup>

**NOTĂ:** Valoarea (valorile) totală(e) a (ale) nivelului de vibrații declarat a (au) fost măsurată(e) în conformitate cu o metodă de test standard și poate (pot) fi utilizată(e) pentru compararea unei unelte cu alta.

**NOTĂ:** Valoarea (valorile) totală(e) a (ale) nivelului de vibrații declarat poate (pot) fi, de asemenea, utilizată(e) într-o evaluare preliminară a expunerii.

**⚠️ AVERTIZARE:** Nivelul de vibrații în timpul utilizării efective a unelei electrice poate diferi de valoarea (valorile) nivelului declarat, în funcție de modul în care unealta este utilizată, în special ce fel de piesă este prelucrată.

**⚠️ AVERTIZARE:** Asigurați-vă că identificați măsurile de siguranță pentru a proteja operatorul, acestea fiind bazate pe o estimare a expunerii în condiții reale de utilizare (luând în considerare toate părțile ciclului de operare, precum timpii în care unealta a fost oprită, sau a funcționat în gol, pe lângă timpul de declanșare).

## Declarație de conformitate CE

### Numai pentru țările europene

Declarația de conformitate CE este inclusă ca Anexa A în acest manual de instrucțiuni.

## AVERTIZĂRI DE SIGURANȚĂ

### Avertismente generale de siguranță pentru mașinile electrice

**⚠️ AVERTIZARE:** Citiți toate avertismentele privind siguranța, instrucțiunile, ilustrațiile și specificațiile furnizate cu această sculă electrică. Nerespectarea integrală a instrucțiunilor de mai jos poate cauza electrocutări, incendii și/sau vătămări corporale grave.

### Păstrați toate avertismentele și instrucțiunile pentru consultări ulterioare.

Termenul „mașină electrică” din avertisări se referă la mașinile dumneavoastră electrice acționate de la rețea (prin cablu) sau cu acumulator (fără cablu).

### Avertismente privind siguranța pentru ferăstrăul circular cu acumulator

#### Proceduri de tăiere

1. **⚠️ PERICOL:** Țineți mâinile la distanță de zona de tăiere și de pânza de ferăstrău. Țineți a doua mână pe mânerul auxiliar sau pe carcasa motorului. Dacă țineți ferăstrăul cu ambele mâini, acestea nu pot fi tăiate de pânză.

2. **Nu introduceți mâinile sub piesa prelucrată.** Apărătoarea nu vă poate proteja împotriva pânzei sub piesa prelucrată.
3. **Reglați adâncimea de tăiere la grosimea piesei de prelucrat.** Sub piesa de prelucrat trebuie să fie vizibil mai puțin decât un dinte complet al pânzei.
4. **Nu țineți niciodată piesa de lucru în mâini sau pe picioare în timpul tăierii. Fixați piesa de lucru pe o platformă stabilă.** Este important să sprijiniți piesa de lucru în mod corespunzător, pentru a minimiza expunerea corpului, riscul de înțepenire a pânzei sau de pierdere a controlului.

#### ► Fig.1

5. **Țineți mașina electrică de suprafețele de prindere izolate atunci când executați o operație la care unealta de tăiere poate intra în contact cu cabluri ascunse.** Contactul cu un cablu aflat sub tensiune va pune sub tensiune și componentele metalice neizolate ale mașinii și ar putea duce la electrocutarea utilizatorului.
6. **Atunci când tăiați, folosiți întotdeauna un ghidaj oprit sau un ghidaj paralel.** Aceasta va crește acuratețea tăierii și reduce riscul de blocare a pânzei.
7. **Folosiți întotdeauna pânze cu găuri pentru arbore de dimensiuni și forme corecte (romboidale versus rotunde).** Pânzele care nu se potrivesc cu sistemul de montare al ferăstrăului vor funcționa excentric, provocând pierderea controlului.
8. **Nu folosiți niciodată șaibe sau șuruburi pentru pânză deteriorate sau necorespunzătoare.** Șaibele și șurubul pentru pânză au fost special concepute pentru acest ferăstrău, în vederea obținerii unei performanțe optime și a siguranței în exploatare.

#### Cauze ale reculului și avertismente aferente

- reculul este o reacție bruscă la înțepenirea, blocarea sau abaterea de la coliniaritate a pânzei de ferăstrău și cauzează o deplasare necontrolată a ferăstrăului în sus și către operator;
- când pânza este înțepenită sau prinsă strâns de închiderea fantei, pânza se blochează și reacția motorului respinge rapid mașina către operator;
- dacă pânza se răsucește sau nu mai este coliniară cu linia de tăiere, dinții de la marginea posterioară a pânzei se pot înfige în fața superioară a lemnului, cauzând ieșirea pânzei din fantă și saltul acesteia către operator.

Recul este rezultatul utilizării incorecte a ferăstrăului și/sau al procedurilor sau condițiilor de lucru necorespunzătoare, putând fi evitat prin adoptarea unor măsuri de precauție adecvate prezentate în continuare.

1. **Mențineți o priză fermă cu ambele mâini pe ferăstrău și poziționați-vă brațele astfel încât să contracarați forțele de recul. Poziționați-vă corpul de-o parte sau de cealaltă a pânzei, însă nu pe aceeași linie cu aceasta.** Reculul poate provoca un salt înapoi al ferăstrăului, însă forțele de recul pot fi controlate de operator, dacă se adoptă măsuri de precauție adecvate.

2. **Atunci când pânza se blochează sau atunci când întrerupeți tăierea indiferent de motiv, eliberați butonul declanșator și mențineți ferăstrăul nemișcat în material până când pânza se oprește complet. Nu încercați niciodată să scoateți ferăstrăul din piesa prelucrată sau să trageți ferăstrăul înapoi cu pânza aflată în mișcare deoarece există riscul de recul. Investigați cauza de blocării pânzei și luați măsuri de eliminare a acesteia.**
3. **Atunci când reporniți ferăstrăul din piesa de lucru, centrați pânza de ferăstrău în fantă astfel ca dinții ferăstrăului să nu fie angrenați în material. Dacă pânza de ferăstrău se blochează, aceasta poate urca pe piesa de lucru sau poate recula din aceasta la repornirea ferăstrăului.**
4. **Sprîjiniți panourile mari pentru a minimiza riscul de înțepenire și reculare a pânzei. Panourile mari tind să se încovoaie sub propria greutate. Sub panou trebuie amplasate suporturi pe ambele laturi, lângă linia de tăiere și lângă marginea panoului.**

► Fig.2

► Fig.3

5. **Nu folosiți pânze uzate sau deteriorate. Pânzele neascuțite sau reglate necorespunzător generează o fantă îngustă care cauzează frecare excesivă, înțepenirea pânzei și recul.**
6. **Pârghiile de reglare și blocare a adâncimii și înclinației de tăiere trebuie să fie strânse și fixate înainte de începerea tăierii. Deplasarea reglajului pânzei în timpul tăierii poate cauza frecare și recul.**
7. **Lucrați cu mare atenție atunci când executați o tăiere în pereții existenți sau în alte zone mascate. Pânza poate tăia obiecte care pot provoca un recul.**
8. **Țineți ÎNTOTDEAUNA mașina ferm cu ambele mâini. Nu vă poziționați NICIODATĂ mâna, piciorul sau orice parte a corpului sub talpa mașinii sau în spatele ferăstrăului, în special atunci când executați retezări. Dacă apare un recul, ferăstrăul poate sări cu ușurință înapoi peste mâna dumneavoastră, provocând vătămări corporale grave.**

► Fig.4

9. **Nu forțați niciodată ferăstrăul. Împingeți ferăstrăul înainte la o viteză care să permită pânzei să taie fără să încetinească. Forțarea ferăstrăului poate genera tăieturi neuniforme, reducerea preciziei și posibile reculuri.**

#### **Funcția apărătoarei**

1. **Înainte de fiecare utilizare, verificați închiderea corectă a apărătoării inferioare. Nu folosiți ferăstrăul dacă apărătoarea inferioară nu se mișcă liber și nu se închide instantaneu. Nu blocați și nici nu legați niciodată apărătoarea inferioară în poziția deschisă. Dacă scăpați accidental ferăstrăul, apărătoarea inferioară se poate îndoi. Ridicați apărătoarea inferioară cu maneta de retragere și asigurați-vă că aceasta se mișcă liber și nu atinge pânza sau orice altă piesă, la toate unghiurile și adâncimile de tăiere.**

2. **Verificați funcționarea arcului apărătoării inferioare. Dacă apărătoarea și arcul nu funcționează corect, acestea trebuie reparate înainte de utilizare. Apărătoarea inferioară ar putea funcționa anevoios din cauza unor piese defecte, acumulări cleioase sau depuneri de resturi.**
3. **Apărătoarea inferioară trebuie retrasă manual numai pentru tăieri speciale, cum ar fi „decupările prin plonjare” și „tăierile combinate”. Ridicați apărătoarea inferioară cu maneta de retragere și eliberați-o imediat ce pânza pătrunde în material. Pentru toate celelalte tipuri de tăiere, apărătoarea inferioară trebuie să funcționeze automat.**
4. **Aveți grijă întotdeauna ca apărătoarea inferioară să acopere pânza înainte de a așeza ferăstrăul pe banc sau podea. O pânză neprotejată, aflată în rotire liberă, va provoca deplasarea ferăstrăului înapoi, tăind orice obiecte din calea ei. Aveți în vedere timpul necesar pentru oprirea completă a pânzei după eliberarea comutatorului.**
5. **Pentru a verifica apărătoarea inferioară, deschideți-o cu mâna, apoi eliberați-o și urmăriți închiderea ei. Verificați, de asemenea, ca maneta de retragere să nu atingă carcasa mașinii. Lăsarea pânzei expuse este FOARTE PERICULOASĂ și poate conduce la vătămări corporale grave.**

#### **Avertismente suplimentare privind siguranța**

1. **Lucrați cu mare atenție atunci când tăiați lemn umed, chereștea împregnată sub presiune sau lemn cu noduri. Păstrați o viteză de avansare uniformă pentru mașină fără reducerea vitezei pânzei, pentru a evita supraîncălzirea dinților pânzei.**
2. **Nu încercați să îndepărtați materialul tăiat în timp ce pânza se mișcă. Așteptați ca pânza să se oprească înainte de a apuca materialul tăiat. Pânzele se rotesc liber după oprire.**
3. **Evitați tăierea cuielelor. Inspectați piesa de prelucrat și eliminați toate cuiele din chereștea înainte de tăiere.**
4. **Așezați porțiunea mai lată a tălpii ferăstrăului pe acea porțiune a piesei de prelucrat care este sprîjinită solid, și nu pe porțiunea care va cădea în urma tăierii. Dacă piesa de prelucrat este scurtă sau mică, fixați-o. NU ÎNCERCAȚI SĂ ȚINEȚI PIESELE SCURTE CU MÂNA!**

► Fig.5

5. **Înainte de a așeza mașina după finalizarea unei tăieri, asigurați-vă că apărătoarea inferioară s-a închis și că pânza s-a oprit complet.**
6. **Nu încercați niciodată să tăiați cu ferăstrăul circular fixat în poziție răsturnată într-o menghină. Acest mod de utilizare este extrem de periculos și poate duce la accidente grave.**

► Fig.6

7. **Unele materiale conțin substanțe chimice care pot fi toxice. Aveți grijă să nu inhalați praful și evitați contactul cu pielea. Respectați instrucțiunile de siguranță ale furnizorului.**
8. **Nu opriți pânzele aplicând o presiune laterală asupra pânzei de ferăstrău.**
9. **Nu folosiți discuri abrazive.**

10. **Utilizați numai pânze de ferăstrău cu diametrul marcat pe mașină sau specificat în manual.** Utilizarea unei pânze de altă mărime poate afecta protecția corespunzătoare a pânzei sau funcționarea aparaturii, putând rezulta accidentări grave.
11. **Păstrați pânza ascuțită și curată.** Cleiul și rășina întărite pe pânze încetinesc ferăstrăul și măresc riscul de recul. Păstrați pânza curată prin demontarea de pe mașină și curățarea acesteia cu soluție de îndepărtat cleiul și rășina, apă fierbinte sau petrol lampant. Nu folosiți niciodată benzină.
12. **Purtați o mască de protecție contra prafului și mijloace de protecție auditivă atunci când folosiți mașina.**
13. **Întotdeauna utilizați pânza de ferăstrău prevăzută pentru tăierea materialului pe care îl veți tăia.**
14. **Utilizați doar pânze de ferăstrău care sunt marcate cu o turație egală cu sau mai mare decât turația marcată pe mașină.**
15. **(Numai pentru țările europene)** Întotdeauna utilizați lama care este conformă cu EN847-1.
16. **Poziționați mașina și piesele pe o suprafață plană și stabilă.** În caz contrar, mașina sau piesele pot cădea, cauzând accidentări.

## PĂSTRAȚI ACESTE INSTRUCȚIUNI.

**⚠️ AVERTIZARE:** NU permiteți comodității și familiarizării cu produsul (obținute prin utilizare repetată) să înlocuiască respectarea strictă a normelor de securitate pentru acest produs. **FOLOSIREA INCORECTĂ** sau nerespectarea normelor de securitate din acest manual de instrucțiuni poate provoca vătămări corporale grave.

### Instrucțiuni importante privind siguranța pentru cartușul acumulatorului

1. **Înainte de a folosi cartușul acumulatorului, citiți toate instrucțiunile și atenționările de pe (1) încărcătorul acumulatorului, (2) acumulator și (3) produsul care folosește acumulatorul.**
2. **Nu dezasamblați și nu interveniți asupra cartușului acumulatorului.** Acest lucru poate cauza incendii, căldură excesivă sau explozii.
3. **Dacă timpul de funcționare s-a redus excesiv, întrerupeți imediat funcționarea.** Aceasta poate prezenta risc de supraîncălzire, posibile arsuri și chiar explozie.
4. **Dacă electrolitul pătrunde în ochi, clătiți bine ochii cu apă curată și consultați imediat un medic.** Există risc de orbire.
5. **Nu scurtcircuitați cartușul acumulatorului:**
  - (1) **Nu atingeți bornele cu niciun material conductor.**
  - (2) **Evitați depozitarea cartușului acumulatorului la un loc cu alte obiecte metalice cum ar fi cuie, monede etc.**
  - (3) **Nu expuneți cartușul acumulatorului la apă sau ploaie.**

Un scurtcircuit al acumulatorului poate provoca un flux puternic de curent electric, supraîncălzire, posibile arsuri și chiar defectarea mașinii.

6. **Nu depozitați și nu utilizați mașina și cartușul acumulatorului în locuri în care temperatura poate atinge sau depăși 50 °C (122 °F).**
7. **Nu incinerati cartușul acumulatorului chiar dacă acesta este grav deteriorat sau complet uzat.** Cartușul acumulatorului poate exploda în foc.
8. **Nu introduceți cuie în cartușul acumulatorului, nu îl tăiați, striviți, aruncați sau scăpați și nu îl loviți cu un obiect dur.** Astfel de acțiuni pot provoca incendii, căldură excesivă sau explozii.
9. **Nu utilizați un acumulator deteriorat.**
10. **Acumulatorii Li-Ion încorporați se supun cerințelor Legislației privind substanțele periculoase.**  
Pentru transporturi comerciale, efectuate de exemplu de către părți terțe, expeditori, trebuie respectate cerințele speciale de ambalare și etichetare.  
Pentru pregătirea articolului care urmează să fie expeditat, este necesară consultarea unui expert în materiale periculoase. Vă rugăm să respectați, de asemenea, reglementările naționale, care pot fi mai detaliate.  
Izolați sau acoperiți contactele deschise și împachetați acumulatorul în așa fel încât să nu se poată mișca în ambalaj.
11. **Atunci când eliminați la deșeurile cartușul acumulatorului, scoateți-l din mașină și eliminați-l într-un loc sigur.** Respectați normele naționale privind eliminarea la deșeurile a acumulatorului.
12. **Utilizați acumulatorii numai cu produsele specificate de Makita.** Instalarea acumulatorilor în produse neconforme poate cauza incendii, căldură excesivă, explozii sau scurgeri de electrolit.
13. **Dacă mașina nu este utilizată o perioadă lungă de timp, acumulatorul trebuie scos din acesta.**
14. **În timpul utilizării și după aceea, cartușul acumulatorului se poate încălzi, ceea ce poate cauza arsuri sau arsuri la temperaturi scăzute.** Fiți atenți la manipularea cartușelor de acumulator atunci când sunt fierbinți.
15. **Nu atingeți borna mașinii imediat după utilizare, întrucât se poate încălzi foarte tare și poate provoca arsuri.**
16. **Nu lăsați să pătrundă așchii, praf sau pământ în borne, în orificii și în canelurile cartușului acumulatorului.** Acest lucru poate duce la o performanță slabă sau poate cauza defectarea mașinii sau a cartușului acumulatorului.
17. **Nu utilizați cartușul acumulatorului în apropierea liniilor electrice de înaltă tensiune, cu excepția cazului în care mașina suportă utilizarea în apropierea liniilor electrice de înaltă tensiune.** Acest lucru poate duce la funcționarea necorespunzătoare sau la defectarea mașinii sau a cartușului acumulatorului.
18. **Țineți acumulatorul la distanță de copii.**

## PĂSTRAȚI ACESTE INSTRUCȚIUNI.

**ATENȚIE:** Folosiți numai acumulatori Makita originali. Acumulatorii Makita care nu sunt originali și acumulatorii care au suferit modificări se pot aprinde, provocând incendii, leziuni corporale și daune. De asemenea, anulează garanția oferită de Makita pentru unealta și încărcătorul Makita.

## Sfaturi pentru obținerea unei durate maxime de exploatare a acumulatorului

1. Încărcați cartușul acumulatorului înainte de a se descărca complet. Întrerupeți întotdeauna funcționarea mașinii și încărcați cartușul acumulatorului când observați o scădere a puterii mașinii.
2. Nu reîncărcați niciodată un acumulator complet încărcat. Supraîncărcarea va scurta durata de exploatare a acumulatorului.
3. Încărcați cartușul acumulatorului la temperatura camerei, între 10 °C - 40 °C (50 °F - 104 °F). Lăsați un acumulator fierbinte să se răcească înainte de a-l încărca.
4. Atunci când nu utilizați cartușul acumulatorului, scoateți-l din mașină sau din încărcător.
5. Încărcați cartușul acumulatorului în cazul în care nu a fost utilizat pe o perioadă mai lungă (mai mult de șase luni).

## Instrucțiuni importante privind siguranța pentru unitatea wireless

1. Nu dezasamblați sau interveniți asupra unității wireless.
2. Țineți unitatea wireless la distanță de copii mici. Dacă este înghițită accidental, consultați imediat un medic.
3. Utilizați unitatea wireless numai cu mașini Makita.
4. Nu expuneți unitatea wireless la ploaie sau la condiții de umiditate.
5. Nu utilizați unitatea wireless în locuri unde temperatura depășește 50 °C.
6. Nu operați unitatea wireless în apropierea unor instrumente medicale, precum stimulatorul cardiac.
7. Nu operați unitatea wireless în apropierea unor dispozitive automate. Dacă sunt operate, dispozitivele automate pot dezvolta funcționări defectuoase sau erori.
8. Nu operați unitatea wireless în locuri cu temperaturi ridicate sau în locuri în care s-ar putea genera electricitate statică sau zgomot electric.
9. Unitatea wireless poate produce câmpuri electromagnetice (CEM), însă acestea nu sunt dăunătoare pentru utilizator.
10. Unitatea wireless este un instrument de precizie. Aveți grijă să nu scăpați sau să loviți unitatea wireless.
11. Evitați să atingeți borna unității wireless cu mâinile neacoperite sau cu materiale metalice.

12. Scoateți întotdeauna acumulatorul din produs atunci când instalați unitatea wireless în acesta.
13. Atunci când deschideți clapeta de închidere a fantei, evitați locurile unde praful sau apa poate pătrunde în fantă. Mențineți întotdeauna curat orificiul de admisie al fantei.
14. Introduceți întotdeauna unitatea wireless în direcția corectă.
15. Nu apăsați cu forță excesivă butonul de activare wireless de pe unitatea wireless și/sau nu apăsați butonul cu un obiect cu o margine ascuțită.
16. Închideți întotdeauna clapeta de închidere a fantei atunci când lucrați.
17. Nu scoateți unitatea wireless din fantă în timp ce mașina este alimentată cu energie. În caz contrar, unitatea wireless poate funcționa defectuos.
18. Nu îndepărtați autocolantul de pe unitatea wireless.
19. Nu aplicați niciun autocolant pe unitatea wireless.
20. Nu lăsați unitatea wireless într-un loc unde s-ar putea genera electricitate statică sau zgomot electric.
21. Nu lăsați unitatea wireless într-un loc supus temperaturilor ridicate, cum ar fi o mașină parcată în soare.
22. Nu lăsați unitatea wireless într-un loc în care se produce praf sau pulbere sau într-un loc unde s-ar putea genera gaze corozive.
23. Schimbarea bruscă de temperatură poate duce la înrourarea unității wireless. Nu utilizați unitatea wireless înainte ca picăturile de rouă să se fi uscat complet.
24. Atunci când curățați unitatea wireless, ștergeți delicat cu o lavetă moale și uscată. Nu utilizați benzină, diluant, vaselină conductivă sau alt produs similar.
25. Atunci când depozitați unitatea wireless, păstrați-o în cutia furnizată sau într-un recipient fără electricitate statică.
26. Nu introduceți în fantă de pe mașină alte dispozitive în afară de unitatea wireless Makita.
27. Nu utilizați mașina dacă clapeta de închidere a fantei este deteriorată. Apa, praful și murdăria care pătrund în fantă pot provoca defectarea.
28. Nu trageți și/sau răsuuciți clapeta de închidere mai mult decât este necesar. Puneți la loc clapeta de închidere dacă se desprinde de pe mașină.
29. Înlocuiți clapeta de închidere a fantei dacă se pierde sau dacă este deteriorată.

## PĂSTRAȚI ACESTE INSTRUCȚIUNI.

## DESCRIEREA FUNCȚIILOR

**ATENȚIE:** Asigurați-vă întotdeauna că mașina este oprită și cartușul acumulatorului este scos înainte de a ajusta sau verifica funcționarea mașinii.

### Instalarea sau scoaterea cartușului acumulatorului

**ATENȚIE:** Opriți întotdeauna mașina înainte de montarea sau demontarea cartușului de acumulator.

**ATENȚIE:** Țineți ferm mașina și cartușul acumulatorului la montarea sau demontarea cartușului. În cazul în care nu țineți ferm mașina și cartușul de acumulator, acestea vă pot aluneca din mâini, rezultând defectarea mașinii și cartușului de acumulator, precum și în accidentări personale.

**ATENȚIE:** Nu utilizați adaptorul acumulatorului cu ferăstrăul circular. Cablul adaptorului acumulatorului poate împiedica utilizarea, ducând la vătămări corporale.

► Fig.7: 1. Indicator roșu 2. Buton 3. Cartușul acumulatorului

Pentru a scoate cartușul acumulatorului, glisați-l din mașină în timp ce glisați butonul de pe partea frontală a cartușului.

Pentru a instala cartușul acumulatorului, aliniați limba de pe cartușul acumulatorului cu canelura din carcasă și introduceți-l în locaș. Introduceți-l complet, până când se înclochetează în locaș. Dacă puteți vedea indicatorul roșu din partea superioară a butonului, acesta nu este blocat complet.

**ATENȚIE:** Instalați întotdeauna cartușul acumulatorului complet, până când indicatorul roșu nu mai este vizibil. În caz contrar, acesta poate cădea accidental din mașină provocând rănirea dumneavoastră sau a persoanelor din jur.

**ATENȚIE:** Nu forțați cartușul acumulatorului la montare. Dacă acesta nu glisează ușor, înseamnă că a fost introdus incorect.

### Sistem de protecție mașină/acumulator

Mașina este prevăzută cu un sistem de protecție mașină/acumulator. Sistemul întrerupe automat alimentarea motorului pentru a extinde durata de viață a mașinii și acumulatorului. Mașina se va opri automat în timpul funcționării dacă mașina sau acumulatorul se află într-una din situațiile următoare. În unele situații, indicatoarele luminează.

### Protecție la suprasarcină

Când mașina/acumulatorul este utilizată/utilizat într-un mod care duce la un consum de curent anormal de ridicat, mașina se va opri automat. În această situație, opriți mașina și întrerupeți aplicația care a dus la supra-solicitarea mașinii. Apoi, reporniți mașina.

### Protecție la supraîncălzire

Când mașina/acumulatorul se supraîncălzeste, mașina se oprește automat. În această situație, lăsați mașina să se răcească înainte de a o reporni.

### Protecție la supradescărcare

Când capacitatea acumulatorului scade, mașina se oprește automat. Dacă produsul nu funcționează deși întrerupătoarele sunt acționate, scoateți acumulatorii din mașină și încărcați-i.

### Indicarea capacității rămase a acumulatorului

Apăsăți butonul de verificare de pe cartușul acumulatorului, astfel încât să se indice capacitățile rămase ale acumulatorului. Lămpile indicatorului vor lumina timp de câteva secunde.

► Fig.8: 1. Lămpi indicatoare 2. Buton de verificare

Lămpi indicatoare			Capacitate rămasă
Iluminat	Oprit	Iluminare intermitentă	
■	□	▨	Între 75% și 100%
■	■	□	Între 50% și 75%
■	□	□	Între 25% și 50%
■	□	□	Între 0% și 25%
▨	□	□	Încărcați acumulatorul.
■	■	□	Este posibil ca acumulatorul să fie defect.
□	□	■	

**NOTĂ:** În funcție de condițiile de utilizare și temperatura ambientală, indicația poate fi ușor diferită de capacitatea reală.

**NOTĂ:** Prima lampă indicatoare (extremitatea stângă) va lumina intermitent când sistemul de protecție a acumulatorului funcționează.

### Reglarea adâncimii de tăiere

**ATENȚIE:** După reglarea adâncimii de tăiere, strângeți întotdeauna ferm pârghia.

Slăbiți pârghia de la ghidajul de reglare a adâncimii și deplasați talpa în sus sau în jos. Fixați talpa la adâncimea de tăiere dorită prin strângerea pârghiei. Pentru tăieturi mai curate și mai sigure, reglați adâncimea de tăiere astfel încât să nu iasă mai mulți dinți ai pânzei sub piesa de lucru. Utilizarea unei adâncimi de tăiere corecte ajută la reducerea potențialului de apariție a unui RECOL periculos, care poate provoca vătămări.

► Fig.9: 1. Pârghie



## Tăiere înclinată

**⚠ATENȚIE:** După reglarea unghiului de înclinare, strângeți întotdeauna ferm pârghia.

**⚠ATENȚIE:** Scoateți mânerul lateral (mâner) atunci când efectuați tăieri înclinate.

► Fig.10: 1. Mâner lateral (mâner)

Slăbiți pârghia și setați unghiul dorit prin înclinarea corespunzătoare a mașinii, apoi strângeți ferm pârghia.

► Fig.11: 1. Pârghie

## Opritor pozitiv

Opritorul pozitiv este util pentru setarea rapidă a unghiului indicat.

Rotiți opritorul pozitiv astfel încât săgeata de pe acesta să fie orientată spre unghiul de înclinare dorit (aproximativ 22,5°/45°/56°).

Slăbiți pârghia și apoi înclinați talpa mașinii până când se oprește. Poziția în care se oprește talpa mașinii este unghiul setat cu opritorul pozitiv. Strângeți pârghia cu talpa mașinii în această poziție.

► Fig.12: 1. Opritor pozitiv

## Reperare

Pentru tăieri drepte, aliniați poziția de 0° din partea frontală a tălpii cu linia dumneavoastră de tăiere. Pentru tăieri înclinate la 45°, aliniați poziția de 45°.

► Fig.13: 1. Linie de tăiere (poziție de 0°) 2. Linie de tăiere (poziție de 45°)

## Acționarea întrerupătorului

**⚠AVERTIZARE:** Înainte de a introduce cartușul acumulatorului în mașină, verificați întotdeauna dacă butonul declanșator funcționează corect și revine în poziția „OFF” (oprit) când este eliberat.

**⚠AVERTIZARE:** Nu dezactivați NICIODATĂ butonul de deblocare prin fixare cu bandă sau prin alte mijloace. Un comutator de deblocare anulat poate duce la operarea accidentală, cauzând potențiale leziuni grave.

**⚠AVERTIZARE:** Nu utilizați NICIODATĂ mașina dacă aceasta pornește la simpla apăsare a butonului declanșator, fără a apăsa butonul de deblocare. Un comutator defect poate duce la operarea accidentală, cauzând leziuni grave. Returnați mașina la un centru de service Makita pentru efectuarea reparațiilor corespunzătoare ÎNAINTE de a continua utilizarea acesteia.

**⚠ATENȚIE:** Mașina începe să frâneze rotația pânzei de ferăstrău circular imediat după ce eliberați butonul declanșator. Țineți mașina ferm pentru a controla reacția frânei atunci când eliberați butonul declanșator. Ca urmare a unei reacții bruște, mașina vă poate scăpa din mână, vătămându-vă.

Pentru a preveni acționarea accidentală a butonului declanșator, este prevăzut un buton de deblocare. Pentru a porni mașina, apăsați butonul de deblocare și trageți butonul declanșator. Eliberați butonul declanșator pentru a opri mașina.

► Fig.14: 1. Buton declanșator 2. Buton de deblocare

**NOTĂ:** Nu apăsați puternic butonul declanșator fără a apăsa butonul de deblocare. Comutatorul se poate rupe.

## Frână electrică

Această mașină este echipată cu o frână electrică pentru pânză. Dacă, de regulă, mașina nu oprește rapid pânza de ferăstrău circular după eliberarea pârghiei de comutare, solicitați repararea acesteia la un centru de service Makita.

**⚠ATENȚIE:** Sistemul de frânare al pânzei nu înlocuiește apărătoarea pânzei. **NU UTILIZAȚI NICIODATĂ MAȘINA FĂRĂ O APĂRĂTOARE FUNCȚIONALĂ A PÂNZEI. VĂ PUTEȚI ACCIDENTA GRAV.**

## Funcție electronică

Mașinile echipate cu funcție electronică sunt ușor de utilizat datorită următoarei (următoarelor) caracteristici.

**Funcție de pornire lină**

Pornire lină datorită suprimării șocului de pornire.

## ASAMBLARE

**⚠ATENȚIE:** Asigurați-vă întotdeauna că mașina este oprită și cartușul acumulatorului este scos înainte de a executa orice lucrări la mașină.

## Depozitarea cheii cotite

Atunci când nu este utilizată, depozitați cheia cotită astfel cum se arată în figură, pentru a nu se pierde.

► Fig.15: 1. Cheie cotită

## Demontarea sau montarea pânzei de ferăstrău circular

**⚠ATENȚIE:** Asigurați-vă că pânza de ferăstrău circular este montată cu dinții îndreptați în sus în partea frontală a mașinii.

**⚠ATENȚIE:** Folosiți numai cheia cotită Makita la montarea sau demontarea pânzei de ferăstrău circular.

Pentru a scoate pânza de ferăstrău circular, apăsați complet pârghia de blocare a axului, astfel încât pânza de ferăstrău circular să nu se poată roti și folosiți cheia cotită pentru a slăbi șurubul cu cap hexagonal. Apoi, scoateți șurubul cu cap hexagonal, flanșa exterioară, pânza de ferăstrău circular și inelul (în funcție de țară).

► Fig.16: 1. Pârghie de blocare a axului 2. Cheie cotită 3. Deșurubare 4. Strângere

**Pentru mașină fără inel**

► Fig.17: 1. Șurub cu cap hexagonal 2. Flanșă exterioară 3. Pânză de ferăstrău circular 4. Săgeată pe pânza de ferăstrău circular 5. Flanșă interioară 6. Săgeată pe mașină

### Pentru mașină cu inel

- **Fig.18:** 1. Șurub cu cap hexagonal 2. Flanșă exterioră 3. Pânză de ferăstrău circular 4. Săgeată pe pânza de ferăstrău circular 5. Inel 6. Flanșă interioară 7. Săgeată pe mașină

Pentru a instala pânza de ferăstrău circular, executați în ordine inversă operațiile de demontare.

Aliniați direcția săgeții de pe pânza de ferăstrău circular cu săgeata de pe mașină.

### Pentru mașină cu flanșă interioară pentru o pânză de ferăstrău cu un orificiu diferit de orificiul cu diametru de 15,88 mm

Flanșa interioară are o proeminență cu un anumit diametru pe o parte și o proeminență cu un diametru diferit pe cealaltă parte. Alegeți partea corectă cu proeminența care se încadrează perfect în orificiul pânzei de ferăstrău circular. Montați flanșa interioară pe axul de montare, astfel încât partea corectă a proeminenței de pe flanșa interioară să fie orientată în exterior și apoi instalați pânza de ferăstrău circular și flanșa exterioră.

- **Fig.19:** 1. Ax de montare 2. Flanșă interioară 3. Pânză de ferăstrău circular 4. Flanșă exterioră 5. Șurub cu cap hexagonal

**⚠️ AVERTIZARE: ASIGURAȚI-VĂ CĂ STRÂNGEȚI FERM ȘURUBUL CU CAP HEXAGONAL, ÎN SENS INVERS ACELOR DE CEASORNIC. Aveți grijă să nu forțați șurubul la strângere. Alunecarea mâinii pe cheia imbus poate provoca vătămarea personală.**

**⚠️ AVERTIZARE: Asigurați-vă că proeminența „a” de pe flanșa interioară, poziționată în exterior, se încadrează perfect în orificiul „a” al pânzei de ferăstrău. Montarea pânzei de ferăstrău circular pe partea incorectă poate provoca vibrații periculoase.**

### Pentru mașină cu flanșă interioară pentru o pânză de ferăstrău cu orificiul cu diametru de 15,88 mm (în funcție de țară)

Montați flanșa interioară cu cavitatea orientată în exterior spre axul de montare, apoi instalați pânza de ferăstrău (cu inelul atașat, dacă este necesar), flanșa exterioră și șurubul cu cap hexagonal.

### Pentru mașină fără inel

- **Fig.20:** 1. Ax de montare 2. Flanșă interioară 3. Pânză de ferăstrău circular 4. Flanșă exterioră 5. Șurub cu cap hexagonal

### Pentru mașină cu inel

- **Fig.21:** 1. Ax de montare 2. Flanșă interioară 3. Pânză de ferăstrău circular 4. Flanșă exterioră 5. Șurub cu cap hexagonal 6. Inel

**⚠️ AVERTIZARE: ASIGURAȚI-VĂ CĂ STRÂNGEȚI FERM ȘURUBUL CU CAP HEXAGONAL, ÎN SENS INVERS ACELOR DE CEASORNIC. Aveți grijă să nu forțați șurubul la strângere. Alunecarea mâinii pe cheia imbus poate provoca vătămarea personală.**

**⚠️ AVERTIZARE: Dacă este nevoie de inel pentru a monta pânza de ferăstrău circular pe ax, asigurați-vă întotdeauna că între flanșa interioară și cea exterioră este instalat inelul corect pentru orificiul de arbore al pânzei pe care intenționați să o folosiți. Utilizarea unui inel de arbore incorect poate duce la montarea necorespunzătoare a pânzei de ferăstrău circular, ceea ce poate provoca mișcarea și vibrarea puternică a acesteia, posibila pierdere a controlului în timpul funcționării și accidentări grave.**

### Curățarea apărătorii pânzei

La schimbarea pânzei de ferăstrău circular, aveți grijă să curățați și rumegușul acumulat pe apărătorile superioară și inferioară ale pânzei, conform secțiunii Întreținerea. Această operație nu elimină necesitatea de a verifica funcționarea apărătorii inferioare înainte de fiecare utilizare.

### Instalarea mânerului lateral (mâner)

**⚠️ ATENȚIE: Asigurați-vă că mânerul lateral este bine fixat înainte de a pune mașina în funcțiune.**

**⚠️ ATENȚIE: Scoateți mânerul lateral (mâner) atunci când efectuați tăieri înclinate. Dacă efectuați tăieri înclinate cu mânerul lateral (mâner), acesta poate intra în contact cu piesa de prelucrat sau cu corpul dumneavoastră și poate produce un recul sau vătămări corporale.**

**⚠️ ATENȚIE: Aveți grijă să nu vă loviți degetele de mânerul lateral (mâner) atunci când deschideți/închideți opritorul inferior.**

Mânerul lateral (mâner) este util pentru manevrarea și transportarea mașinii.

Pentru a instala mânerul lateral (mâner), înșurubați ferm mânerul lateral la mașină în poziția prezentată în figură.

- **Fig.22:** 1. Mâner lateral (mâner)

### Conectarea unui aspirator

#### Accesoriu opțional

**⚠️ ATENȚIE: Aveți grijă ca furtunul să nu se prindă în piesa de prelucrat. Aceasta poate conduce la vătămări corporale grave din cauza reculului.**

**NOTĂ:** Depozitați capacul de cauciuc pe partea din față a mașinii ca să nu îl pierdeți.

**NOTĂ:** Montați capacul de cauciuc pe duza de praf atunci când nu utilizați aspiratorul.

Scoateți capacul de cauciuc de pe duza de praf și conectați furtunul aspiratorului conform ilustrației.

- **Fig.23:** 1. Capac de cauciuc

Conectați un aspirator Makita la mașina dumneavoastră.

- **Fig.24:** 1. Capac de cauciuc 2. Aspirator 3. Furtun 4. Duza de praf

## OPERAREA

Această mașină este destinată numai tăierii produselor din lemn. Consultați site-ul nostru web sau contactați distribuitorul local Makita pentru pânzele de ferăstrău circular adecvate materialului care va fi tăiat.

### Verificarea funcționării apărătoarei pânzei

Setați unghiul de înclinație la 0° și apoi retrageți manual opritorul inferior până la capăt și eliberați-l. Opritorul inferior funcționează corespunzător dacă:

- este retras deasupra tălpii fără a fi împiedicat de obstacole și
- revine automat și intră în contact cu opritorul.

► **Fig.25:** 1. Opritorul superior 2. Opritorul inferior 3. Talpă 4. Opritor 5. Deschis 6. Închis

Dacă opritorul inferior nu funcționează corespunzător, verificați dacă s-a acumulat rumeguș în interiorul opritoarelor superioare și inferioare. Dacă opritorul inferior nu funcționează corespunzător chiar dacă ați îndepărtat rumegușul, solicitați repararea mașinii la un centru de service Makita.

**ATENȚIE:** Purtați o mască de protecție contra prafului atunci când executați operația de debitare.

**ATENȚIE:** Aveți grijă să deplasați mașina înainte lent, în linie dreaptă. Forțarea sau răsucirea mașinii vor avea ca efect supraîncălzirea motorului și reculuri periculoase, prezentând risc de vătămare gravă.

**NOTĂ:** Când temperatura cartușului acumulatorului este redusă, mașina nu va lucra la capacitatea nominală. În acest caz, utilizați un timp mașina pentru a efectua tăieri ușoare până când cartușul acumulatorului ajunge la temperatura încăperii. Apoi, mașina poate fi utilizată la capacitatea nominală.

► **Fig.26**

Țineți bine mașina. Mașina este echipată cu un mâner frontal de prindere, precum și cu un mâner în partea din spate. Folosiți-le pe ambele pentru a apuca ferm mașina. Dacă țineți ferăstrăul cu ambele mâini, nu există riscul tăierii acestora cu pânza de ferăstrău circular. Așezați talpa pe piesa de prelucrat fără ca pânza de ferăstrău circular să intre în contact cu aceasta. Apoi porniți mașina și așteptați ca pânza de ferăstrău circular să atingă viteza maximă. Acum, deplasați mașina înainte pe suprafața piesei de prelucrat, păstrând-o orizontală și avansând ușor până când tăierea este finalizată. Pentru a obține tăieturi curate, mențineți o linie de tăiere dreaptă și o viteză de avans uniformă. Dacă nu reușiți să urmăriți corect linia de tăiere preconizată, nu încercați să rotiți sau să forțați mașina înapoi către linia de tăiere. Dacă faceți acest lucru, puteți să îndoiți pânza de ferăstrău circular, existând riscul unor reculuri periculoase și posibile vătămări grave. Eliberați butonul declanșator, așteptați ca pânza de ferăstrău circular să se oprească și apoi retrageți mașina. Realiniați mașina cu noua linie de tăiere și reîncepeți tăierea. Încercați să evitați pozițiile care expun operatorul la așchiile și rumegușul aruncate de ferăstrău. Utilizați dispozitive de protecție a ochilor pentru a evita vătămarea.

## Cârlig

**ATENȚIE:** Scoateți întotdeauna acumulatorul atunci când agățați mașina de agățătoare.

**ATENȚIE:** Nu agățați niciodată mașina în locuri înalte sau pe suprafețele de unde mașina se poate dezechilibra și cădea. În caz contrar, se pot produce accidente prin cădere, care pot cauza vătămări corporale grave.

**ATENȚIE:** Nu trageți de mașină în jos atunci când este agățată.

**ATENȚIE:** Utilizați piesele de suspendare/montare numai în scopul prevăzut. Utilizarea acestora în alte scopuri ar putea conduce la accidente sau la vătămări corporale.

**ATENȚIE:** Nu suspendați niciodată mașina cu cârligul dacă cârligul este deteriorat. În caz contrar, se pot produce accidente prin cădere, care pot cauza vătămări corporale grave.

Cârligul este util pentru suspendarea temporară a mașinii. Pentru a folosi cârligul, ridicați pur și simplu cârligul până când se blochează în poziție deschisă. Când nu îl folosiți, coborâți întotdeauna cârligul până când se blochează în poziție închisă.

► **Fig.27:** 1. Cârlig 2. Poziție deschisă 3. Poziție închisă

► **Fig.28**

## Ghidaj opritor (riglă de ghidare)

### Accesoriu opțional

Rigla de ghidare practică vă permite să executați tăieturi drepte extrem de precise. Lipiți pur și simplu rigla de ghidare pe latura piesei de prelucrat și fixați-o în poziție cu șurubul de la partea din față a tălpii. Aceasta permite, de asemenea, executarea de tăieri repetate de lățime uniformă.

► **Fig.29:** 1. Ghidaj opritor (riglă de ghidare) 2. Șurub de strângere

## FUNCȚIA DE ACTIVARE WIRELESS

### Ce puteți face cu funcția de activare wireless

Funcția de activare wireless face posibilă o utilizare curată și confortabilă. Conectând un aspirator acceptat la mașină, puteți rula automat aspiratorul, împreună cu operația de comutare a mașinii.

► **Fig.30**

Pentru a utiliza funcția de activare wireless, pregătiți următoarele elemente:

- O unitate wireless (accesoriu opțional)
- Un aspirator care acceptă funcția de activare wireless

Prezentarea generală a setării funcției de activare wireless este după cum urmează. Consultați fiecare secțiune pentru proceduri detaliate.

1. Instalarea unității wireless
2. Înregistrarea mașinii pentru aspirator
3. Pornirea funcției de activare wireless

## Instalarea unității wireless

### Accesorii opționale

**ATENȚIE:** Așezați mașina pe o suprafață plană și stabilă atunci când instalați unitatea wireless.

**NOTĂ:** Curățați praful și murdăria de pe mașină înainte de a instala unitatea wireless. Praful sau murdăria poate cauza funcționarea defectuoasă dacă pătrunde în fanta unității wireless.

**NOTĂ:** Pentru a preveni funcționarea defectuoasă cauzată de energia statică, atingeți un material de descărcare statică, precum o parte din metal a mașinii, înainte de a ridica unitatea wireless.

**NOTĂ:** Atunci când instalați unitatea wireless, asigurați-vă întotdeauna de introducerea unității wireless în direcția corectă și de închiderea completă a clapetei de închidere.

1. Deschideți clapeta de închidere de pe mașină după cum se vede în figură.

► **Fig.31:** 1. Clapetă de închidere

2. Introduceți unitatea wireless în fantă și apoi închideți clapeta de închidere.

Atunci când introduceți unitatea wireless, aliniați proeminențele cu porțiunile infundate de pe fantă.

► **Fig.32:** 1. Unitate wireless 2. Proeminență 3. Clapetă de închidere 4. Porțiune infundată

Atunci când scoateți unitatea wireless, deschideți lent clapeta de închidere. Cârligele de pe partea din spate a clapetei de închidere ridică unitatea wireless pe măsură ce trageți în sus clapeta de închidere.

► **Fig.33:** 1. Unitate wireless 2. Cârlig 3. Clapetă de închidere

După ce scoateți unitatea wireless, păstrați-o în cutia furnizată sau într-un recipient fără electricitate statică.

**NOTĂ:** Utilizați întotdeauna cârligele de pe partea din spate a clapetei de închidere atunci când scoateți unitatea wireless. În cazul în care cârligele nu prind unitatea wireless, închideți complet clapeta de închidere și deschideți-o din nou lent.

## Înregistrarea mașinii pentru aspirator

**NOTĂ:** Pentru înregistrarea mașinii este necesar un aspirator Makita care acceptă funcția de activare wireless.

**NOTĂ:** Finalizați instalarea unității wireless la mașină înainte de a începe înregistrarea mașinii.

**NOTĂ:** În timpul înregistrării mașinii, nu trageți butonul declanșator și nu porniți întrerupătorul de pornire/oprire de pe aspirator.

**NOTĂ:** Consultați de asemenea manualul de instrucțiuni al aspiratorului.

Dacă doriți să activați aspiratorul odată cu operația de comutare a mașinii, finalizați mai întâi înregistrarea mașinii.

1. Instalați acumulatorii la aspirator și la mașină.

2. Setări comutator de stare de așteptare de pe aspirator pe „AUTO”.

► **Fig.34:** 1. Comutator de stare de așteptare

3. Apăsăți butonul de activare wireless de pe aspirator timp de 3 secunde până când lampa de activare wireless luminează intermitent cu verde. Apoi, apăsați butonul de activare wireless de pe mașină în același mod.

► **Fig.35:** 1. Buton de activare wireless 2. Lampă de activare wireless

Dacă aspiratorul și mașina sunt conectate cu succes, lămpile de activare wireless se vor aprinde cu verde timp de 2 secunde și vor începe să lumineze intermitent cu albastru.

**NOTĂ:** Lămpile de activare wireless încetează să lumineze intermitent cu verde după scurgerea a 20 de secunde. Apăsăți butonul de activare wireless de pe mașină în timp ce lampa de activare wireless de pe aparatul de curățat luminează intermitent. Dacă lampa de activare wireless nu luminează intermitent cu verde, apăsați scurt butonul de activare wireless și țineți-l din nou apăsat.

**NOTĂ:** Atunci când efectuați două sau mai multe înregistrări ale mașinii pentru un aspirator, finalizați pe rând fiecare înregistrare.

## Pornirea funcției de activare wireless

**NOTĂ:** Finalizați înregistrarea mașinii pentru aspirator înainte de activarea wireless.

**NOTĂ:** Consultați de asemenea manualul de instrucțiuni al aspiratorului.

După înregistrarea unei mașini la aspirator, aspiratorul va rula automat, împreună cu operația de comutare a mașinii.

1. Instalați unitatea wireless la mașină.

2. Conectați furtunul aspiratorului cu mașina.

► **Fig.36**

3. Setări comutator de stare de așteptare de pe aspirator pe „AUTO”.

► **Fig.37:** 1. Comutator de stare de așteptare

4. Apăsăți scurt butonul de activare wireless de pe mașină. Lampa de activare wireless va lumina intermitent cu albastru.

► **Fig.38:** 1. Buton de activare wireless 2. Lampă de activare wireless

5. Trageți butonul declanșator al mașinii. Verificați dacă aspiratorul funcționează în timp ce se trage butonul declanșator.

Pentru a opri activarea wireless a aspiratorului, apăsați butonul de activare wireless de pe mașină.

**NOTĂ:** Lampa de activare wireless de pe mașină va înceta să lumineze intermitent cu albastru atunci când nu există funcționare timp de 2 ore. În acest caz, setați comutatorul de stare de așteptare de pe aspirator pe „AUTO” și apăsați din nou butonul de activare wireless.

**NOTĂ:** Aspiratorul pornește/se oprește cu o amănare. Există o întârziere atunci când aspiratorul detectează o operație de comutare a mașinii.










**NOTĂ:** Distanța de transmisie a unității wireless poate varia în funcție de locație și circumstanțele aferente.

**NOTĂ:** Atunci când două sau mai multe mașini sunt înregistrate la un aspirator, aspiratorul poate începe să ruleze chiar dacă nu trageți butonul declanșator, deoarece un alt utilizator folosește funcția de activare wireless.

## Descrierea stării lămpii de activare wireless

► Fig.39: 1. Lampă de activare wireless

Lampa de activare wireless indică starea funcției de activare wireless. Consultați tabelul de mai jos pentru semnificația stării lămpii.

Stare	Lampă de activare wireless				Descriere
	Culoare	 Pornit	 Iluminare intermitentă	Durată	
Standby	Albastru			2 ore	Activarea wireless a aspiratorului este disponibilă. Lampa se va stinge automat atunci când nu are loc nicio operație timp de 2 ore.
				Atunci când mașina este în funcțiune.	Activarea wireless a aspiratorului este disponibilă și mașina este în funcțiune.
Înregistrarea mașinii	Verde			20 secunde	Gata pentru înregistrarea mașinii. Se așteaptă înregistrarea de către aspirator.
				2 secunde	Înregistrarea mașinii a fost finalizată. Lampa de activare wireless va începe să lumineze intermitent cu albastru.
Anularea înregistrării mașinii	Roșu			20 secunde	Gata pentru anularea înregistrării mașinii. Se așteaptă anularea de către aspirator.
				2 secunde	Anularea înregistrării mașinii a fost finalizată. Lampa de activare wireless va începe să lumineze intermitent cu albastru.
Altele	Roșu			3 secunde	Unitatea wireless este alimentată cu energie și se lansează funcția de activare wireless.
	Oprit	-		-	Activarea wireless a aspiratorului este oprită.

## Anularea înregistrării mașinii pentru aspirator

Efectuați următoarea procedură atunci când anulați înregistrarea mașinii pentru aspirator.

- Instalați acumulatorii la aspirator și la mașină.
- Setați comutatorul de stare de așteptare de pe aspirator pe „AUTO”.

► Fig.40: 1. Comutator de stare de așteptare

- Apăsați butonul de activare wireless de pe aspirator timp de 6 secunde. Lampă de activare wireless luminează intermitent cu verde și apoi devine roșie. După aceasta, apăsați butonul de activare wireless de pe mașină în același mod.

► Fig.41: 1. Buton de activare wireless 2. Lampă de activare wireless

Dacă anularea este efectuată cu succes, lămpile de activare wireless se vor aprinde cu roșu timp de 2 secunde și vor începe să lumineze intermitent cu albastru.

**NOTĂ:** Lămpile de activare wireless încetează să lumineze intermitent cu roșu după scurgerea a 20 de secunde. Apăsați butonul de activare wireless de pe mașină în timp ce lampa de activare wireless de pe aparatul de curățat luminează intermitent. Dacă lampa de activare wireless nu luminează intermitent cu roșu, apăsați scurt butonul de activare wireless și țineți-l din nou apăsat.

## Depanarea funcției de activare wireless

Înainte de a solicita reparații, efectuați mai întâi propria inspecție. În cazul în care găsiți o problemă care nu este explicată în manual, nu încercați să demontați echipamentul. În schimb, adresați-vă Centrelor de service autorizate Makita, utilizând întotdeauna piese de schimb Makita pentru reparații.

Stare de anormalitate	Cauză probabilă (defecțiune)	Remediu
Lampa de activare wireless nu se aprinde/nu luminează intermitent.	Unitatea wireless nu este instalată în mașină. Unitatea wireless este instalată necorespunzător în mașină.	Instalați corect unitatea wireless.
	Borna unității wireless și/sau fanta este murdară.	Ștergeți delicat praful și murdăria de pe borna unității wireless și curățați fanta.
	Butonul de activare wireless de pe mașină nu a fost apăsat.	Apăsați scurt butonul de activare wireless de pe mașină.
	Comutatorul de stare de așteptare de pe aspirator nu este setat pe „AUTO”.	Setați comutatorul de stare de așteptare de pe aspirator pe „AUTO”.
	Nicio sursă de alimentare	Alimentați cu energie mașina și aspiratorul.
Înregistrarea mașinii/anularea înregistrării mașinii nu poate fi finalizată cu succes.	Unitatea wireless nu este instalată în mașină. Unitatea wireless este instalată necorespunzător în mașină.	Instalați corect unitatea wireless.
	Borna unității wireless și/sau fanta este murdară.	Ștergeți delicat praful și murdăria de pe borna unității wireless și curățați fanta.
	Comutatorul de stare de așteptare de pe aspirator nu este setat pe „AUTO”.	Setați comutatorul de stare de așteptare de pe aspirator pe „AUTO”.
	Nicio sursă de alimentare	Alimentați cu energie mașina și aspiratorul.
	Funcționare incorectă	Apăsați scurt butonul de activare wireless și efectuați din nou procedurile de înregistrare/anulare.
	Mașina și aspiratorul se află la distanță unul de celălalt (în afara ariei de transmisie).	Aduceți mașina și aspiratorul mai aproape unul de celălalt. Distanța maximă de transmisie este de aproximativ 10 m, însă aceasta poate varia în funcție de circumstanțe.
	Înainte de a finaliza înregistrarea mașinii/anularea - butonul declanșator de pe mașină este tras sau - butonul de pornire de pe aspirator este activat.	Apăsați scurt butonul de activare wireless și efectuați din nou procedurile de înregistrare/anulare.
	Procedurile de înregistrare a mașinii pentru mașină sau aspirator nu au fost finalizate.	Efectuați procedurile de înregistrare a mașinii atât pentru mașină, cât și aspirator, în același timp.
	Perturbații radioelectrice de la alte aparate care generează unde radio de mare intensitate.	Țineți mașina și aspiratorul la distanță de aparate precum dispozitive Wi-Fi și cuptoare cu microunde.
Aspiratorul nu funcționează odată cu operația de comutare a mașinii.	Unitatea wireless nu este instalată în mașină. Unitatea wireless este instalată necorespunzător în mașină.	Instalați corect unitatea wireless.
	Borna unității wireless și/sau fanta este murdară.	Ștergeți delicat praful și murdăria de pe borna unității wireless și curățați fanta.
	Butonul de activare wireless de pe mașină nu a fost apăsat.	Apăsați scurt butonul de activare wireless și asigurați-vă că lampa de activare wireless luminează intermitent cu albastru.
	Comutatorul de stare de așteptare de pe aspirator nu este setat pe „AUTO”.	Setați comutatorul de stare de așteptare de pe aspirator pe „AUTO”.
	La aspirator sunt înregistrate mai mult de 10 mașini.	Efectuați din nou înregistrarea mașinii. Dacă la aspirator sunt înregistrate mai mult de 10 mașini, mașina înregistrată prima va fi anulată automat.
	Aspiratorul a șters toate înregistrările mașinii.	Efectuați din nou înregistrarea mașinii.
	Nicio sursă de alimentare	Alimentați cu energie mașina și aspiratorul.
	Mașina și aspiratorul se află la distanță unul de celălalt (în afara ariei de transmisie).	Aduceți mașina și aspiratorul mai aproape unul de celălalt. Distanța maximă de transmisie este de aproximativ 10 m, însă aceasta poate varia în funcție de circumstanțe.
	Perturbații radioelectrice de la alte aparate care generează unde radio de mare intensitate.	Țineți mașina și aspiratorul la distanță de aparate precum dispozitive Wi-Fi și cuptoare cu microunde.
Aspiratorul funcționează în timp ce butonul declanșator al mașinii nu este tras.	Alți utilizatori folosesc activarea wireless a aspiratorului cu mașinile acestora.	Oprți butonul de activare wireless al celorlalte mașini sau anulați înregistrarea celorlalte mașini.



# ÎNȚREȚINERE

**⚠️ ATENȚIE:** Asigurați-vă întotdeauna că mașina este oprită și cartușul acumulatorului scos înainte de a executa lucrările de inspecție și întreținere.

**⚠️ ATENȚIE:** Curățați apărătorile superioară și inferioară pentru a vă asigura că nu există rumeguș acumulat care ar putea afecta funcționarea sistemului de protecție inferior. Un sistem de protecție murdar poate limita funcționarea corectă, rezultând vătămări personale grave. Cea mai eficientă metodă de efectuare a acestei operații de curățare este cu aer comprimat. Dacă praful este suflat dinspre apărători, asigurați-vă că folosiți o protecție corespunzătoare pentru ochi și respirație.

**⚠️ ATENȚIE:** După fiecare utilizare, ștergeți rumegușul de pe mașină. Particule fine de rumeguș pot pătrunde în mașină și pot provoca defecțiuni sau incendiu.

**NOTĂ:** Nu utilizați niciodată gazolină, benzină, diluant, alcool sau alte substanțe asemănătoare. În caz contrar, pot rezulta decolorări, deformări sau fisuri.

Pentru a menține SIGURANȚA și FIABILITATEA produsului, reparațiile și orice alte lucrări de întreținere sau reglare trebuie executate de centre de service Makita autorizate sau proprii, folosind întotdeauna piese de schimb Makita.

## Reglarea preciziei de tăiere la 0°

Acest reglaj este efectuat din fabrică. Dacă însă are loc o deplasare, puteți regla paralelismul conform procedurii următoare.

1. Slăbiți ușor pârghia de la placa gradată pentru reglarea înclinăției.
2. Așezați talpa perpendicular pe pânză cu ajutorul unui echer sau al unui vinclu, răsucind șurubul de reglare.  
► **Fig.42:** 1. Echer 2. Șurub de reglare
3. Strângeți pârghia și faceți o probă de tăiere pentru a verifica verticalitatea.

## ACCESORII OPȚIONALE

**⚠️ ATENȚIE:** Folosiți accesoriile sau piesele auxiliare recomandate pentru mașina dumneavoastră Makita în acest manual. Utilizarea oricăror alte accesorii sau piese auxiliare poate prezenta risc de vătămare corporală. Utilizați accesoriile și piesele auxiliare numai în scopul destinat.

Dacă aveți nevoie de asistență sau de mai multe detalii referitoare la aceste accesorii, adresați-vă centrului local de service Makita.

- Pânză de ferăstrău circular
- Cheie cotită
- Ghidaj opritor (riglă de ghidare)
- Acumulator și încărcător original Makita

**NOTĂ:** Unele articole din listă pot fi incluse ca accesorii standard în ambalajul de scule. Acestea pot diferi în funcție de țară.

## TECHNISCHE DATEN

<b>Modell:</b>		<b>RS002G</b>
Sägeblattdurchmesser		260 mm
Max. Schnitttiefe	bei 0°	95,0 mm
	bei 45° Neigungswinkel	70,0 mm
	bei 56° Neigungswinkel	54,5 mm
Leerlaufdrehzahl		4.000 min <sup>-1</sup>
Gesamtlänge		489 mm
Nennspannung		36 V - 40 V Gleichstrom
Nettogewicht		5,7 - 6,3 kg

- Wir behalten uns vor, Änderungen der technischen Daten im Zuge der Entwicklung und des technischen Fortschritts ohne vorherige Ankündigung vorzunehmen.
- Die technischen Daten können von Land zu Land unterschiedlich sein.
- Das Gewicht kann abhängig von dem Aufsatz (den Aufsätzen), einschließlich des Akkus, unterschiedlich sein. Die leichteste und die schwerste Kombination, gemäß dem EPTA-Verfahren 01/2014, sind in der Tabelle angegeben.

## Zutreffende Akkus und Ladegeräte

Akku	BL4020 / BL4025 / BL4040 / BL4050F* *: Empfohlener Akku
Ladegerät	DC40RA / DC40RB / DC40RC

- Einige der oben aufgelisteten Akkus und Ladegeräte sind je nach Ihrem Wohngebiet eventuell nicht erhältlich.

**⚠️ WARNUNG:** Verwenden Sie nur die oben aufgeführten Akkus und Ladegeräte. Bei Verwendung irgendwelcher anderer Akkus und Ladegeräte besteht Verletzungs- und/oder Brandgefahr.

## Vorgesehene Verwendung

Das Werkzeug ist für Geradschnitte in Längs- und Querrichtung sowie für schräge Gehrungsschnitte in Holz vorgesehen, wobei es in festem Kontakt mit dem Werkstück bleibt.

## Geräusch

Typischer A-bewerteter Geräuschpegel ermittelt gemäß EN62841-2-5:

Schalldruckpegel ( $L_{pA}$ ): 96 dB (A)

Schalleistungspegel ( $L_{WA}$ ): 107 dB (A)

Messunsicherheit (K): 3 dB (A)

**HINWEIS:** Der (Die) angegebene(n)

Schallemissionswert(e) wurde(n) im Einklang mit der Standardprüfmethode gemessen und kann (können) für den Vergleich zwischen Werkzeugen herangezogen werden.

**HINWEIS:** Der (Die) angegebene(n)

Schallemissionswert(e) kann (können) auch für eine Vorbewertung des Gefährdungsgrads verwendet werden.

**⚠️ WARNUNG:** Einen Gehörschutz tragen.

**⚠️ WARNUNG:** Die Schallemission während der tatsächlichen Benutzung des Elektrowerkzeugs kann je nach der Benutzungsweise des Werkzeugs, und speziell je nach der Art des bearbeiteten Werkstücks, von dem (den) angegebenen Wert(en) abweichen.

**⚠️ WARNUNG:** Identifizieren Sie Sicherheitsmaßnahmen zum Schutz des Benutzers anhand einer Schätzung des Gefährdungsgrads unter den tatsächlichen Benutzungsbedingungen (unter Berücksichtigung aller Phasen des Arbeitszyklus, wie z. B. Ausschalt- und Leerlaufzeiten des Werkzeugs zusätzlich zur Betriebszeit).

## Schwingungen

Schwingungsgesamtwert (Drei-Achsen-Vektorsumme) ermittelt gemäß EN62841-2-5:

Arbeitsmodus: Schneiden von Holz

Schwingungsemission ( $a_{h,w}$ ): 2,5 m/s<sup>2</sup> oder weniger

Messunsicherheit (K): 1,5 m/s<sup>2</sup>

**HINWEIS:** Der (Die) angegebene(n) Vibrationsgesamtwert(e) wurde(n) im Einklang mit der Standardprüfmethode gemessen und kann (können) für den Vergleich zwischen Werkzeugen herangezogen werden.

**HINWEIS:** Der (Die) angegebene(n) Vibrationsgesamtwert(e) kann (können) auch für eine Vorbewertung des Gefährdungsgrads verwendet werden.

**⚠️ WARNUNG:** Die Vibrationsemission während der tatsächlichen Benutzung des Elektrowerkzeugs kann je nach der Benutzungsweise des Werkzeugs, und speziell je nach der Art des bearbeiteten Werkstücks, von dem (den) angegebenen Emissionswert(en) abweichen.

**⚠️ WARNUNG:** Identifizieren Sie Sicherheitsmaßnahmen zum Schutz des Benutzers anhand einer Schätzung des Gefährdungsgrads unter den tatsächlichen Benutzungsbedingungen (unter Berücksichtigung aller Phasen des Arbeitszyklus, wie z. B. Ausschalt- und Leerlaufzeiten des Werkzeugs zusätzlich zur Betriebszeit).

## EG-Konformitätserklärung

### Nur für europäische Länder

Die EG-Konformitätserklärung ist als Anhang A in dieser Bedienungsanleitung enthalten.

## SICHERHEITSWARNUNGEN

### Allgemeine Sicherheitswarnungen für Elektrowerkzeuge

**⚠️ WARNUNG:** Lesen Sie alle mit diesem Elektrowerkzeug gelieferten Sicherheitswarnungen, Anweisungen, Abbildungen und technischen Daten durch. Eine Missachtung der unten aufgeführten Anweisungen kann zu einem elektrischen Schlag, Brand und/oder schweren Verletzungen führen.

### Bewahren Sie alle Warnungen und Anweisungen für spätere Bezugnahme auf.

Der Ausdruck „Elektrowerkzeug“ in den Warnhinweisen bezieht sich auf Ihr mit Netzstrom (mit Kabel) oder Akku (ohne Kabel) betriebenes Elektrowerkzeug.

## Sicherheitswarnungen für Akku-Handkreissäge

### Schneidverfahren

1. **⚠️ GEFAHR:** Halten Sie Ihre Hände vom Schnittbereich und vom Sägeblatt fern. Halten Sie mit der zweiten Hand den Zusatzgriff oder das Motorgehäuse. Wenn beide Hände die Säge halten, können sie nicht durch das Sägeblatt verletzt werden.
2. **Fassen Sie nicht unter das Werkstück.** Die Schutzhaube bietet keinen Schutz auf der Unterseite des Werkstücks.
3. **Stellen Sie die Schnitttiefe auf die Dicke des Werkstücks ein.** Das Sägeblatt darf nicht mehr als eine Zahnlänge auf der Unterseite des Werkstücks überstehen.
4. **Halten Sie das Werkstück beim Schneiden niemals in Ihren Händen oder auf den Beinen. Sichern Sie das Werkstück auf einer stabilen Plattform.** Es ist wichtig, das Werkstück sachgemäß abzustützen, um Körperaussetzung, Klemmen des Sägeblatts oder Verlust der Kontrolle auf ein Minimum zu reduzieren.

#### ► Abb.1

5. **Halten Sie das Elektrowerkzeug an den isolierten Griffflächen, wenn Sie Arbeiten ausführen, bei denen die Gefahr besteht, dass das Schneidwerkzeug verborgene Kabel kontaktiert.** Bei Kontakt mit einem Strom führenden Kabel werden die freiliegenden Metallteile des Elektrowerkzeugs ebenfalls Strom führend, so dass der Benutzer einen elektrischen Schlag erleiden kann.
6. **Verwenden Sie beim Längssägen stets einen Parallelanschlag oder ein Richtlineal.** Dadurch wird die Schnittgenauigkeit verbessert und die Gefahr von Sägeblatt-Klemmen reduziert.
7. **Verwenden Sie stets Sägeblätter, deren Spindelbohrung die korrekte Größe und Form (rautenförmig oder rund) hat.** Sägeblätter, die nicht genau auf den Montageflansch der Säge passen, rotieren exzentrisch und verursachen den Verlust der Kontrolle.
8. **Verwenden Sie niemals beschädigte oder falsche Sägeblattscheiben oder -schrauben.** Die Sägeblattscheiben und -schrauben sind speziell für Ihre Säge vorgesehen, um optimale Leistung und Betriebssicherheit zu gewährleisten.

### Rückschlagursachen und damit zusammenhängende Warnungen

- Ein Rückschlag ist eine plötzliche Reaktion auf ein eingeklemmtes, blockiertes oder falsch ausgerichtetes Sägeblatt, der ein unkontrolliertes Anheben und Herausspringen der Säge aus dem Werkstück in Richtung der Bedienungsperson verursacht.
- Wenn das Sägeblatt durch den sich schließenden Sägeschlitz eingeklemmt oder blockiert wird, bleibt das Sägeblatt stehen, und die Motorreaktion drückt die Säge plötzlich in Richtung der Bedienungsperson zurück.

- Falls das Sägeblatt im Schnitt verdreht oder versetzt wird, können sich die Zähne an der Hinterkante des Sägeblatts in die Oberfläche des Holzstücks bohren, so dass sich das Sägeblatt aus dem Sägeschlitz heraushebt und in Richtung der Bedienungsperson zurückspringt.

Rückschlag ist das Resultat falscher Handhabung der Säge und/oder falscher Arbeitsverfahren oder -bedingungen und kann durch Anwendung der nachstehenden Vorsichtsmaßnahmen vermieden werden.

1. **Halten Sie die Säge mit beiden Händen fest, und positionieren Sie Ihre Arme so, dass sie die Rückschlagkräfte auffangen. Stellen Sie sich so, dass sich Ihr Körper seitlich vom Sägeblatt befindet, nicht auf gleicher Linie mit dem Sägeblatt.** Rückschlag kann Zurückspringen der Säge verursachen; doch wenn geeignete Vorkehrungen getroffen werden, können die Rückschlagkräfte von der Bedienungsperson unter Kontrolle gehalten werden.
2. **Falls das Sägeblatt klemmt oder der Schnitt aus irgendeinem Grund unterbrochen wird, lassen Sie den Ein-Aus-Schalter los, und halten Sie die Säge bewegungslos im Werkstück, bis das Sägeblatt zum völligen Stillstand kommt. Versuchen Sie niemals, die Säge bei noch rotierendem Sägeblatt vom Werkstück abzunehmen oder zurückzuziehen, weil es sonst zu einem Rückschlag kommen kann.** Nehmen Sie eine Überprüfung vor, und treffen Sie Abhilfemaßnahmen, um die Ursache von Sägeblatt-Klemmen zu beseitigen.
3. **Wenn Sie die Säge bei im Werkstück befindlichem Sägeblatt wieder einschalten, zentrieren Sie das Sägeblatt im Sägeschlitz, und vergewissern Sie sich, dass die Sägezähne nicht mit dem Werkstück im Eingriff sind.** Falls ein Sägeblatt klemmt, kann es beim Wiedereinschalten der Säge aus dem Werkstück herauschnellen oder zurückspringen.
4. **Stützen Sie große Platten ab, um die Gefahr von Klemmen und Rückschlägen des Sägeblatts auf ein Minimum zu reduzieren.** Große Platten neigen dazu, unter ihrem Eigengewicht durchzuhängen. Die Stützen müssen beidseitig der Schnittlinie und in der Nähe der Plattenkante unter der Platte platziert werden.

► **Abb.2**

► **Abb.3**

5. **Verwenden Sie keine stumpfen oder beschädigten Sägeblätter.** Unschärfe oder falsch angebrachte Sägeblätter erzeugen einen schmalen Sägeschlitz, der übermäßige Reibung, Sägeblatt-Klemmen und Rückschlag verursacht.
6. **Die Sägeblatttiefen- und Neigungseinstellungs-Arretierhebel müssen fest angezogen und gesichert sein, bevor der Schnitt ausgeführt wird.** Falls sich die Sägeblatteinstellung während des Sägens verstellt, kann es zu Klemmen und Rückschlag kommen.
7. **Lassen Sie beim Sägen in vorhandene Wände oder andere tote Winkel besondere Vorsicht walten.** Das vorstehende Sägeblatt kann Objekte durchschneiden, die Rückschlag verursachen können.

8. **Halten Sie das Werkzeug IMMER mit beiden Händen fest. Halten Sie NIEMALS Ihre Hand, Ihr Bein oder irgendeinen Körperteil unter die Werkzeugbasis oder hinter die Säge, insbesondere bei der Ausführung von Querschnitten.** Falls Rückschlag auftritt, besteht die Gefahr, dass die Säge über Ihre Hand zurückspringt und schwere Personenschäden verursacht.

► **Abb.4**

9. **Wenden Sie keine Gewalt auf die Säge an. Schieben Sie die Säge mit einer Geschwindigkeit vor, dass das Sägeblatt nicht abgebremst wird.** Gewaltanwendung kann ungleichmäßige Schnitte, Verlust der Genauigkeit und möglichen Rückschlag verursachen.

**Funktion der Schutzhaube**

1. **Überprüfen Sie die untere Schutzhaube vor jeder Benutzung auf einwandfreies Schließen. Betreiben Sie die Säge nicht, falls sich die untere Schutzhaube nicht ungehindert bewegt und sofort schließt. Die untere Schutzhaube darf auf keinen Fall in der geöffneten Stellung festgeklemmt oder festgebunden werden.** Wird die Säge versehentlich fallen gelassen, kann die untere Schutzhaube verbogen werden. Heben Sie die untere Schutzhaube mit dem Rückzuggriff an, und vergewissern Sie sich, dass sie sich ungehindert bewegt und bei allen Winkel- und Schnitttiefen-Einstellungen nicht mit dem Sägeblatt oder irgendeinem anderen Teil in Berührung kommt.
2. **Überprüfen Sie die Funktion der Feder der unteren Schutzhaube. Falls Schutzhaube und Feder nicht einwandfrei funktionieren, müssen die Teile vor der Benutzung gewartet werden.** Falls beschädigte Teile, klebrige Ablagerungen oder Schmutzansammlung vorhanden sind, kann die untere Schutzhaube schwergängig werden.
3. **Die untere Schutzhaube sollte nur für spezielle Schnitte, wie „Tautschnitte“ und „Doppelwinkelschnitte“, manuell zurückgezogen werden. Heben Sie die untere Schutzhaube mit dem Rückzuggriff an, und sobald das Sägeblatt in das Werkstück eindringt, muss die untere Schutzhaube losgelassen werden.** Für alle anderen Sägearbeiten sollte die untere Schutzhaube automatisch betätigt werden.
4. **Vergewissern Sie sich stets, dass die untere Schutzhaube das Sägeblatt verdeckt, bevor Sie die Säge auf der Werkbank oder dem Boden ablegen.** Ein ungeschützt auslaufendes Sägeblatt bewirkt Rückwärtskriechen der Säge und schneidet alles, was sich in seinem Weg befindet. Berücksichtigen Sie die Auslaufzeit des Sägeblatts bis zum Stillstand nach dem Loslassen des Schalters.
5. **Öffnen Sie die untere Schutzhaube probeweise von Hand, und achten Sie beim Loslassen darauf, dass sie sich einwandfrei schließt. Vergewissern Sie sich auch, dass der Rückzuggriff nicht mit dem Werkzeuggehäuse in Berührung kommt.** Die Bloßstellung des Sägeblatts ist SEHR GEFÄHRLICH und kann zu schweren Verletzungen führen.

## Zusätzliche Sicherheitswarnungen

1. **Lassen Sie beim Schneiden von feuchtem Holz, druckbehandeltem Bauholz oder Astholz besondere Vorsicht walten.** Behalten Sie einen gleichmäßigen Vorschub des Werkzeugs bei, ohne dass sich die Sägeblattdrehzahl verringert, um Überhitzen der Sägeblattzähne zu vermeiden.
  2. **Versuchen Sie nicht, abgeschnittenes Material bei rotierendem Sägeblatt zu entfernen. Warten Sie, bis das Sägeblatt zum Stillstand kommt, bevor Sie abgeschnittenes Material wegnehmen.** Das Sägeblatt läuft nach dem Ausschalten noch nach.
  3. **Vermeiden Sie das Schneiden von Nägeln. Überprüfen Sie Bauholz vor dem Schneiden auf Nägel, und entfernen Sie etwaige Nägel.**
  4. **Setzen Sie den breiteren Teil der Grundplatte auf den fest abgestützten Teil des Werkstücks, nicht auf den Teil, der nach dem Schnitt herunterfällt. Kurze oder kleine Werkstücke müssen eingespannt werden. VERSUCHEN SIE NICHT, KURZE WERKSTÜCKE MIT DER HAND ZU HALTEN!**
- **Abb.5**
5. **Bevor Sie das Werkzeug nach Ausführung eines Schnitts absetzen, vergewissern Sie sich, dass sich die Schutzhaube geschlossen hat und das Sägeblatt zu vollständigem Stillstand gekommen ist.**
  6. **Versuchen Sie niemals, die Kreissäge zum Sägen verkehrt herum in einen Schraubstock einzuspannen. Dies ist sehr gefährlich und kann zu schweren Unfällen führen.**
- **Abb.6**
7. **Manche Materialien können giftige Chemikalien enthalten. Treffen Sie Vorsichtsmaßnahmen, um das Einatmen von Arbeitsstaub und Hautkontakt zu verhindern. Befolgen Sie die Sicherheitsdaten des Materiallieferanten.**
  8. **Bremsen Sie die Säge nicht durch seitlichen Druck auf das Sägeblatt ab.**
  9. **Verwenden Sie keine Schleifscheiben.**
  10. **Verwenden Sie nur Sägeblätter mit einem Durchmesser, der am Werkzeug markiert oder im Handbuch angegeben ist. Die Verwendung eines Sägeblatts mit falscher Größe kann den einwandfreien Schutz des Sägeblatts oder den Schutzbetrieb beeinträchtigen, was ernsthaften Personenschaden zur Folge haben kann.**
  11. **Halten Sie das Sägeblatt scharf und sauber.** An den Sägeblättern haftendes und verhärtetes Gummi und Harz verlangsamen die Säge und erhöhen die Rückschlaggefahr. Halten Sie das Sägeblatt sauber, indem Sie es vom Werkzeug abmontieren und dann mit Gummi- oder Harzentferner, heißem Wasser oder Petroleum reinigen. Verwenden Sie niemals Benzin.
  12. **Tragen Sie bei der Benutzung des Werkzeugs eine Staubmaske und einen Gehörschutz.**
  13. **Verwenden Sie immer das zum Schneiden des jeweiligen Arbeitsmaterials vorgesehene Sägeblatt.**

14. **Verwenden Sie nur Sägeblätter, die mit einer Drehzahl markiert sind, die der am Werkzeug angegebenen Drehzahl entspricht oder diese übertrifft.**
15. **(Nur für europäische Länder) Verwenden Sie immer ein Sägeblatt, das EN847-1 entspricht.**
16. **Legen Sie das Werkzeug und die Teile auf einer ebenen und stabilen Oberfläche ab. Andernfalls können das Werkzeug oder die Teile herunterfallen und eine Verletzung verursachen.**

## BEWAHREN SIE DIESE ANLEITUNG AUF.

**⚠️ WARNUNG:** Lassen Sie sich NICHT durch Bequemlichkeit oder Vertrautheit mit dem Produkt (durch wiederholten Gebrauch erworben) von der strikten Einhaltung der Sicherheitsregeln für das vorliegende Produkt abhalten. MISSBRAUCH oder Missachtung der Sicherheitsvorschriften in dieser Anleitung können schwere Personenschäden verursachen.

## Wichtige Sicherheitsanweisungen für Akku

1. **Lesen Sie vor der Benutzung des Akkus alle Anweisungen und Warnhinweise, die an (1) Ladegerät, (2) Akku und (3) Akkuvorwerkzeug angebracht sind.**
2. **Unterlassen Sie Zerlegen oder Manipulieren des Akkus.** Es kann sonst zu einem Brand, übermäßiger Hitzeentwicklung oder einer Explosion kommen.
3. **Falls die Betriebszeit beträchtlich kürzer geworden ist, stellen Sie den Betrieb sofort ein. Andernfalls besteht die Gefahr von Überhitzung, möglichen Verbrennungen und sogar einer Explosion.**
4. **Falls Elektrolyt in Ihre Augen gelangt, waschen Sie sie mit sauberem Wasser aus, und begeben Sie sich unverzüglich in ärztliche Behandlung. Andernfalls können Sie Ihre Sehkraft verlieren.**
5. **Der Akku darf nicht kurzgeschlossen werden:**
  - (1) **Die Kontakte dürfen nicht mit leitfähigem Material berührt werden.**
  - (2) **Lagern Sie den Akku nicht in einem Behälter zusammen mit anderen Metallgegenständen, wie z. B. Nägel, Münzen usw.**
  - (3) **Setzen Sie den Akku weder Wasser noch Regen aus.****Ein Kurzschluss des Akkus verursacht starken Stromfluss, der Überhitzung, mögliche Verbrennungen und einen Defekt zur Folge haben kann.**
6. **Lagern und benutzen Sie das Werkzeug und den Akku nicht an Orten, an denen die Temperatur 50 °C erreichen oder überschreiten kann.**

7. **Versuchen Sie niemals, den Akku zu verbrennen, selbst wenn er stark beschädigt oder vollkommen verbraucht ist. Der Akku kann im Feuer explodieren.**
8. **Unterlassen Sie Nageln, Schneiden, Zerquetschen, Werfen, Fallenlassen des Akkus oder Schlagen des Akkus mit einem harten Gegenstand.** Eine solche Handlung kann zu einem Brand, übermäßiger Hitzeentwicklung oder einer Explosion führen.
9. **Benutzen Sie keine beschädigten Akkus.**
10. **Die enthaltenen Lithium-Ionen-Akkus unterliegen den Anforderungen der Gefahrgut-Gesetzgebung.**  
Für kommerzielle Transporte, z. B. durch Dritte oder Spediteure, müssen besondere Anforderungen zu Verpackung und Etikettierung beachtet werden.  
Zur Vorbereitung des zu transportierenden Artikels ist eine Beratung durch einen Experten für Gefahrgut erforderlich. Bitte beachten Sie möglicherweise ausführlichere nationale Vorschriften. Überkleben oder verdecken Sie offene Kontakte, und verpacken Sie den Akku so, dass er sich in der Verpackung nicht umher bewegen kann.
11. **Entfernen Sie den Akku zum Entsorgen vom Werkzeug, und entsorgen Sie ihn an einem sicheren Ort. Befolgen Sie die örtlichen Vorschriften bezüglich der Entsorgung von Akkus.**
12. **Verwenden Sie die Akkus nur mit den von Makita angegebenen Produkten.** Das Einsetzen der Akkus in nicht konforme Produkte kann zu einem Brand, übermäßiger Hitzebildung, einer Explosion oder Auslaufen von Elektrolyt führen.
13. **Soll das Werkzeug längere Zeit nicht benutzt werden, muss der Akku vom Werkzeug entfernt werden.**
14. **Bei und nach dem Gebrauch kann der Akku heiß werden, was Verbrennungen oder Niedertemperaturverbrennungen verursachen kann. Beachten Sie die Handhabung von heißen Akkus.**
15. **Berühren Sie nicht den Anschlusskontakt des Werkzeugs unmittelbar nach dem Gebrauch, da er heiß genug werden kann, um Verbrennungen zu verursachen.**
16. **Achten Sie darauf, dass sich keine Späne, Staub oder Schmutz in den Anschlusskontakten, Löchern und Nuten des Akkus absetzen.** Dies kann zu einer Leistungseinbuße oder Betriebsstörung des Werkzeugs oder des Akkus führen.
17. **Wenn das Werkzeug den Einsatz in der Nähe einer Hochspannungs-Stromleitung nicht unterstützt, benutzen Sie den Akku nicht in der Nähe einer Hochspannungs-Stromleitung.** Dies kann zu einer Funktionsstörung oder Betriebsstörung des Werkzeugs oder des Akkus führen.
18. **Halten Sie die Batterie von Kindern fern.**

**DIESE ANWEISUNGEN  
AUFBEWAHREN.**

**▲VORSICHT:** Verwenden Sie nur Original-Makita-Akkus. Die Verwendung von Nicht-Original-Makita-Akkus oder von Akkus, die abgeändert worden sind, kann zum Bersten des Akkus und daraus resultierenden Bränden, Personenschäden und Beschädigung führen. Außerdem wird dadurch die Makita-Garantie für das Makita-Werkzeug und -Ladegerät ungültig.

## Hinweise zur Aufrechterhaltung der maximalen Akku-Nutzungsdauer

1. **Laden Sie den Akku, bevor er vollkommen erschöpft ist. Schalten Sie das Werkzeug stets aus, und laden Sie den Akku, wenn Sie ein Nachlassen der Werkzeugleistung feststellen.**
2. **Unterlassen Sie erneutes Laden eines voll aufgeladenen Akkus. Überladen führt zu einer Verkürzung der Nutzungsdauer des Akkus.**
3. **Laden Sie den Akku bei Raumtemperatur zwischen 10 – 40 °C. Lassen Sie einen heißen Akku abkühlen, bevor Sie ihn laden.**
4. **Wenn Sie den Akku nicht benutzen, nehmen Sie ihn vom Werkzeug oder Ladegerät ab.**
5. **Der Akku muss geladen werden, wenn er lange Zeit (länger als sechs Monate) nicht benutzt wird.**

## Wichtige Sicherheitsanweisungen für Funk-Adapter

1. **Unterlassen Sie Zerlegen oder Manipulieren des Funk-Adapters.**
2. **Halten Sie den Funk-Adapter von kleinen Kindern fern. Suchen Sie bei versehentlichem Verschlucken sofort ärztliche Behandlung auf.**
3. **Benutzen Sie den Funk-Adapter nur mit Makita-Werkzeugen.**
4. **Setzen Sie den Funk-Adapter keinem Regen oder Nässe aus.**
5. **Benutzen Sie den Funk-Adapter nicht an Orten, wo die Temperatur 50 °C überschreitet.**
6. **Betreiben Sie den Funk-Adapter nicht an Orten, in deren Nähe sich medizinische Geräte, wie z. B. Herzschrittmacher, befinden.**
7. **Betreiben Sie den Funk-Adapter nicht an Orten, in deren Nähe sich automatisierte Geräte befinden.** Bei Betrieb kann in den automatisierten Geräten eine Funktionsstörung oder ein Fehler entstehen.
8. **Betreiben Sie den Funk-Adapter nicht an Orten unter hohen Temperaturen oder an Orten, wo statische Elektrizität oder elektrisches Rauschen erzeugt werden könnte.**
9. **Der Funk-Adapter kann elektromagnetische Felder (EMF) erzeugen, die aber für den Benutzer nicht gesundheitsschädlich sind.**
10. **Der Funk-Adapter ist ein Präzisionsinstrument. Achten Sie darauf, dass der Funk-Adapter nicht fallen gelassen oder Stößen ausgesetzt wird.**



11. Vermeiden Sie Berühren der Kontakte des Funk-Adapters mit bloßen Händen oder Metallgegenständen.
12. Entfernen Sie stets den Akku vom Produkt, bevor Sie den Funk-Adapter installieren.
13. Öffnen Sie den Deckel des Steckplatzes nicht an Orten, wo Staub und Wasser in den Steckplatz eindringen können. Halten Sie den Einlass des Steckplatzes stets sauber.
14. Führen Sie den Funk-Adapter stets in der korrekten Richtung ein.
15. Drücken Sie nicht zu fest und/oder mit einem scharfkantigen Gegenstand auf die Funk-Aktivierungstaste des Funk-Adapters.
16. Halten Sie den Deckel des Steckplatzes beim Betrieb immer geschlossen.
17. Entfernen Sie den Funk-Adapter nicht aus dem Steckplatz, während das Werkzeug mit Strom versorgt wird. Anderenfalls kann eine Funktionsstörung des Funk-Adapters verursacht werden.
18. Entfernen Sie nicht den Aufkleber vom Funk-Adapter.
19. Kleben Sie keinen anderen Aufkleber auf den Funk-Adapter.
20. Lassen Sie den Funk-Adapter nicht an einem Ort liegen, wo statische Elektrizität oder elektrisches Rauschen erzeugt werden könnte.
21. Lassen Sie den Funk-Adapter nicht an einem Ort liegen, der starker Hitze ausgesetzt ist, wie z. B. in einem in praller Sonne geparkten Auto.
22. Lassen Sie den Funk-Adapter nicht an einem Ort liegen, der Staub oder Puder aufweist, oder an dem ein korrosives Gas erzeugt werden könnte.
23. Plötzliche Temperaturschwankungen können den Funk-Adapter betauen. Benutzen Sie den Funk-Adapter nicht eher, bis der Tau vollständig getrocknet ist.
24. Wischen Sie den Funk-Adapter zum Reinigen sanft mit einem trockenen, weichen Tuch ab. Verwenden Sie kein Waschbenzin, kein leitfähiges Fett, keinen Verdüner oder dergleichen.
25. Bewahren Sie den Funk-Adapter zur Lagerung in der mitgelieferten Schachtel oder einem statikfreien Behälter auf.
26. Führen Sie keine anderen Geräte außer dem Makita-Werk-Adapter in den Steckplatz des Werkzeugs ein.
27. Benutzen Sie das Werkzeug nicht, wenn der Deckel des Steckplatzes beschädigt ist. Wasser, Staub und Schmutz, die in den Steckplatz eindringen, können eine Funktionsstörung verursachen.
28. Ziehen und/oder verdrehen Sie den Deckel des Steckplatzes nicht mehr als nötig. Bringen Sie den Deckel wieder an, falls er sich vom Werkzeug löst.
29. Ersetzen Sie den Deckel des Steckplatzes, falls er verloren geht oder beschädigt wird.

**BEWAHREN SIE DIESE ANLEITUNG AUF.**

## FUNKTIONSBESCHREIBUNG

**⚠VORSICHT:** Vergewissern Sie sich vor der Durchführung von Einstellungen oder Funktionsprüfungen des Werkzeugs stets, dass das Werkzeug ausgeschaltet und der Akku abgenommen ist.

### Anbringen und Abnehmen des Akkus

**⚠VORSICHT:** Schalten Sie das Werkzeug stets aus, bevor Sie den Akku anbringen oder abnehmen.

**⚠VORSICHT:** Halten Sie das Werkzeug und den Akku beim Anbringen oder Abnehmen des Akkus sicher fest. Wenn Sie das Werkzeug und den Akku nicht sicher festhalten, können sie Ihnen aus der Hand rutschen, was zu einer Beschädigung des Werkzeugs und des Akkus und zu Körperverletzungen führen kann.

**⚠VORSICHT:** Verwenden Sie nicht den Akku-Adapter mit der Kreissäge. Anderenfalls kann das Kabel des Akku-Adapters den Betrieb behindern und Personenschäden verursachen.

► **Abb.7:** 1. Rote Anzeige 2. Knopf 3. Akku

Ziehen Sie den Akku zum Abnehmen vom Werkzeug ab, während Sie den Knopf an der Vorderseite des Akkus verschieben.

Richten Sie zum Anbringen des Akkus dessen Führungsfeder auf die Nut im Gehäuse aus, und schieben Sie den Akku hinein. Schieben Sie ihn vollständig ein, bis er mit einem hörbaren Klicken einrastet. Falls die rote Anzeige an der Oberseite des Knopfes sichtbar ist, ist der Akku nicht vollständig verriegelt.

**⚠VORSICHT:** Schieben Sie den Akku stets bis zum Anschlag ein, bis die rote Anzeige nicht mehr sichtbar ist. Anderenfalls kann er aus dem Werkzeug herausfallen und Sie oder umstehende Personen verletzen.

**⚠VORSICHT:** Unterlassen Sie Gewaltanwendung beim Anbringen des Akkus. Falls der Akku nicht reibungslos hineingleitet, ist er nicht richtig ausgerichtet.

### Werkzeug/Akku-Schutzsystem

Das Werkzeug ist mit einem Werkzeug/Akku-Schutzsystem ausgestattet. Dieses System schaltet die Stromversorgung des Motors automatisch ab, um die Lebensdauer von Werkzeug und Akku zu verlängern. Das Werkzeug bleibt während des Betriebs automatisch stehen, wenn das Werkzeug oder der Akku einer der folgenden Bedingungen unterliegt. Bei manchen Bedingungen leuchten die Anzeigen auf.

### Überlastschutz

Wird das Werkzeug/der Akku auf eine Weise benutzt, die eine ungewöhnlich hohe Stromaufnahme bewirkt, bleibt das Werkzeug automatisch stehen. Schalten Sie in dieser Situation das Werkzeug aus, und brechen Sie die Arbeit ab, die eine Überlastung des Werkzeugs verursacht hat. Schalten Sie dann das Werkzeug wieder ein, um es neu zu starten.

## Überhitzungsschutz

Wenn das Werkzeug/der Akku überhitzt wird, bleibt das Werkzeug automatisch stehen. Lassen Sie das Werkzeug in dieser Situation abkühlen, bevor Sie es wieder einschalten.

















## Überentladungsschutz

Wenn die Akkukapazität niedrig wird, schaltet sich das Werkzeug automatisch aus. Falls das Produkt trotz Betätigung der Schalter nicht funktioniert, entfernen Sie die Akkus vom Werkzeug, und laden Sie sie auf.

## Anzeigen der Akku-Restkapazität

Drücken Sie die Prüftaste am Akku, um die Akku-Restkapazität anzuzeigen. Die Anzeigelampen leuchten wenige Sekunden lang auf.

► **Abb.8:** 1. Anzeigelampen 2. Prüftaste

Anzeigelampen			Restkapazität
 Erleuchtet	 Aus	 Blinkend	
			75% bis 100%
			50% bis 75%
			25% bis 50%
			0% bis 25%
			Den Akku aufladen.
			Möglicherweise liegt eine Funktionsstörung im Akku vor.
			

**HINWEIS:** Abhängig von den Benutzungsbedingungen und der Umgebungstemperatur kann die Anzeige geringfügig von der tatsächlichen Kapazität abweichen.

**HINWEIS:** Die erste (äußerste linke) Anzeigelampe blinkt, wenn das Akku-Schutzsystem aktiv ist.

## Einstellen der Schnitttiefe

**⚠ VORSICHT:** Ziehen Sie den Hebel nach der Einstellung der Schnitttiefe stets fest an.

Lösen Sie den Hebel an der Tiefenführung, und ziehen Sie die Grundplatte nach oben oder unten. Arretieren Sie die Grundplatte an der gewünschten Schnitttiefe durch Festziehen des Hebels.

Um sauberere, sicherere Schnitte auszuführen, stellen Sie die Schnitttiefe so ein, dass nicht mehr als ein Sägeblattzahn unter das Werkstück übersteht. Die Einstellung der korrekten Schnitttiefe trägt zu einer Reduzierung gefährlicher RÜCKSCHLÄGE bei, die Personenschäden verursachen können.

► **Abb.9:** 1. Hebel

## Neigungsschnitt

**⚠ VORSICHT:** Ziehen Sie den Hebel nach der Einstellung des Neigungswinkels stets fest an.

**⚠ VORSICHT:** Entfernen Sie den Seitengriff (Handgriff), um Neigungsschnitte auszuführen.

► **Abb.10:** 1. Seitengriff (Handgriff)

Lösen Sie den Hebel, und stellen Sie den gewünschten Winkel durch entsprechendes Neigen ein; ziehen Sie dann den Hebel fest.

► **Abb.11:** 1. Hebel

## Zwangsanschlag

Der Zwangsanschlag ist praktisch, um den festgelegten Winkel schnell einzustellen. Drehen Sie den Zwangsanschlag so, dass der aufgedruckte Pfeil auf Ihren gewünschten Neigungswinkel zeigt (ca. 22,5°/45°/56°). Lösen Sie den Hebel, und neigen Sie dann die Grundplatte, bis sie stoppt. Die Position, an der die Grundplatte stoppt, ist der Winkel, den Sie mit dem Zwangsanschlag eingestellt haben. Ziehen Sie den Hebel fest, während sich die Grundplatte in dieser Position befindet.

► **Abb.12:** 1. Zwangsanschlag

## Schnittmarkierung

Richten Sie für Geradschnitte die 0°-Position auf der Vorderseite der Grundplatte auf die Schnittlinie aus. Richten Sie für 45°-Neigungsschnitte die 45°-Position auf die Linie aus.

► **Abb.13:** 1. Schnittlinie (0°-Position) 2. Schnittlinie (45°-Position)

## Schalterfunktion

**⚠ WARNUNG:** Vergewissern Sie sich vor dem Einsetzen des Akkus in das Werkzeug stets, dass der Ein-Aus-Schalter ordnungsgemäß funktioniert und beim Loslassen in die AUS-Stellung zurückkehrt.

**⚠ WARNUNG:** Versuchen Sie NIEMALS, den Einschaltsperrknopf mit Klebeband oder anderen Mitteln unwirksam zu machen. Ein Schalter mit unwirksamem Einschaltsperrknopf kann zu ungewolltem Betrieb und daraus resultierenden schweren Personenschäden führen.

**⚠ WARNUNG:** Betreiben Sie das Werkzeug NIEMALS, wenn es durch einfache Betätigung des Ein-Aus-Schalters eingeschaltet werden kann, ohne den Einschaltsperrknopf zu drücken. Ein reparaturbedürftiger Schalter kann zu ungewolltem Betrieb und daraus resultierenden schweren Personenschäden führen. Lassen Sie das Werkzeug von einer Makita-Kundendienststelle ordnungsgemäß reparieren, BEVOR Sie es weiter benutzen.

**⚠ VORSICHT:** Das Werkzeug beginnt unmittelbar nach dem Loslassen des Auslöseschalters mit dem Abbremsen der Kreissägeblattdrehung. Halten Sie das Werkzeug gut fest, um der Bremsreaktion beim Loslassen des Auslöseschalters entgegenzuwirken. Eine plötzliche Reaktion kann das Werkzeug aus Ihrer Hand reißen und einen Personenschaden verursachen.

Um versehentliche Betätigung des Ein-Aus-Schalters zu verhüten, ist das Werkzeug mit einem Einschaltsperrknopf ausgestattet. Zum Starten des Werkzeugs den Ein-Aus-Schalter bei gedrücktem Einschaltsperrknopf betätigen. Zum Ausschalten den Ein-Aus-Schalter loslassen.

► **Abb.14:** 1. Auslöseschalter 2. Einschaltsperrknopf

**ANMERKUNG:** Betätigen Sie den Ein-Aus-Schalter nicht gewaltsam, ohne den Einschaltsperrknopf hineinzudrücken. Dies kann zu Beschädigung des Schalters führen.

## Elektrische Bremse

Dieses Werkzeug ist mit einer elektrischen Sägeblattbremse ausgestattet. Falls das Werkzeug das Kreissägeblatt nach dem Loslassen des Schalthebels nicht sofort anhält, lassen Sie es von einer Makita-Kundendienststelle warten.

**⚠ VORSICHT:** Das Sägeblatt-Bremssystem ist kein Ersatz für die Sägeblattschutzhäube. VERWENDEN SIE DAS WERKZEUGE NIEMALS OHNE FUNKTIONIERENDE SÄGEBLATTSCHUTZHÄUBE. ES KANN SONST ZU SCHWEREN PERSONENSCHÄDEN KOMMEN.

## Elektronikfunktion

Die mit Elektronikfunktionen ausgestatteten Werkzeuge weisen das (die) folgende(n) Merkmal(e) zur Bedienungsvereinfachung auf.

### Sanftanlauf-Funktion

Diese Funktion gewährleistet ruckfreies Anlaufen durch Anlaufstoßunterdrückung.

## MONTAGE

**⚠ VORSICHT:** Vergewissern Sie sich vor der Ausführung von Arbeiten am Werkzeug stets, dass das Werkzeug ausgeschaltet und der Akku abgenommen ist.

## Aufbewahrung des gekröpften Schraubenschlüssels

Bewahren Sie den gekröpften Schraubenschlüssel bei Nichtgebrauch an der in der Abbildung gezeigten Stelle auf, damit er nicht verloren geht.

► **Abb.15:** 1. Gekröpfter Schraubenschlüssel

## Demontieren oder Montieren des Kreissägeblatts

**⚠ VORSICHT:** Vergewissern Sie sich, dass das Kreissägeblatt so montiert ist, dass die Zähne auf der Vorderseite des Werkzeugs nach oben zeigen.

**⚠ VORSICHT:** Verwenden Sie nur den gekröpften Schraubenschlüssel von Makita zum Montieren und Demontieren des Kreissägeblatts.

Zum Demontieren des Kreissägeblatts drücken Sie die Spindelarretierung vollständig hinein, um das Kreissägeblatt am Drehen zu hindern, und lösen Sie dann die Innensechskantschraube mit dem gekröpften Schraubenschlüssel. Entfernen Sie dann Innensechskantschraube, Außenflansch, Kreissägeblatt und Ring (länderspezifisch).

► **Abb.16:** 1. Spindelarretierung 2. Gekröpfter Schraubenschlüssel 3. Lösen 4. Anziehen

### Für Werkzeug ohne den Ring

► **Abb.17:** 1. Innensechskantschraube 2. Außenflansch 3. Kreissägeblatt 4. Pfeil auf dem Kreissägeblatt 5. Innenflansch 6. Pfeil auf dem Werkzeug

### Für Werkzeug mit dem Ring

► **Abb.18:** 1. Innensechskantschraube 2. Außenflansch 3. Kreissägeblatt 4. Pfeil auf dem Kreissägeblatt 5. Ring 6. Innenflansch 7. Pfeil auf dem Werkzeug

Zum Montieren des Kreissägeblatts wenden Sie das Demonteverfahren umgekehrt an.

Richten Sie den Pfeil auf dem Kreissägeblatt auf den Pfeil am Werkzeug aus.

## Für Werkzeug mit Innenflansch für anderen Sägeblatt-Bohrungsdurchmesser als 15,88 mm

Der Innenflansch besitzt auf einer Seite einen Vorsprung mit einem bestimmten Durchmesser und auf der anderen Seite einen Vorsprung mit unterschiedlichem Durchmesser. Wählen Sie die korrekte Seite, deren Vorsprung genau in die Kreissägeblattbohrung passt. Montieren Sie den Innenflansch an der Montageachse, so dass die korrekte Seite des Vorsprungs am Innenflansch außen liegt, und bringen Sie dann das Kreissägeblatt und den Außenflansch an.

► **Abb.19:** 1. Montageachse 2. Innenflansch 3. Kreissägeblatt 4. Außenflansch 5. Innensechskantschraube

**⚠ WARNUNG:** DIE INNENSECHSKANTSCHRAUBE ENTGEGEN DEM UHRZEIGERSINN FESTZIEHEN. Achten Sie auch darauf, die Schraube nicht gewaltsam anzuziehen. Abrutschen Ihrer Hand vom Inbusschlüssel kann einen Personenschaden verursachen.

**⚠ WARNUNG:** Vergewissern Sie sich, dass der außen liegende Vorsprung „a“ am Innenflansch genau in die Sägeblattbohrung „a“ passt. Die Montage des Kreissägeblatts auf der falschen Seite kann zu gefährlichen Vibrationen führen.

## Für Werkzeug mit Innenflansch für Sägeblatt-Bohrungsdurchmesser von 15,88 mm (länderspezifisch)

Montieren Sie den Innenflansch mit der Vertiefung nach außen auf die Montageachse, und bringen Sie dann Sägeblatt (Ring bei Bedarf angebracht), Außenflansch und Innensechskantschraube an.

### Für Werkzeug ohne den Ring

- **Abb.20:** 1. Montageachse 2. Innenflansch  
3. Kreissägeblatt 4. Außenflansch  
5. Innensechskantschraube

### Für Werkzeug mit dem Ring

- **Abb.21:** 1. Montageachse 2. Innenflansch  
3. Kreissägeblatt 4. Außenflansch  
5. Innensechskantschraube 6. Ring

**⚠️ WARNUNG:** DIE INNENSECHSKANTSCHRAUBE ENTGEGEN DEM UHRZEIGERSINN FESTZIEHEN. Achten Sie auch darauf, die Schraube nicht gewaltsam anzuziehen. Abrutschen Ihrer Hand vom Inbusschlüssel kann einen Personenschaden verursachen.

**⚠️ WARNUNG:** Falls der Ring benötigt wird, um das Kreissägeblatt an der Spindel zu montieren, sollten Sie sich stets vergewissern, dass der korrekte Ring für die Spindelbohrung des zu benutzenden Kreissägeblatts zwischen Innen- und Außenflansch installiert ist. Die Verwendung eines falschen Spindelbohrungsringes kann zu unzulässiger Montage des Kreissägeblatts führen, so dass es zu Sägeblattbewegung und starker Vibration kommt, die möglichen Verlust der Kontrolle während des Betriebs und schwere Personenschäden zur Folge haben kann.

## Reinigung der Sägeblattschutzhaube

Wenn Sie das Kreissägeblatt auswechseln, reinigen Sie auch unbedingt die obere und untere Schutzhaube von angesammeltem Sägemehl, wie im Abschnitt „Wartung“ beschrieben. Solche Arbeiten erübrigen jedoch nicht die Notwendigkeit, die Funktion der unteren Schutzhaube vor jedem Gebrauch zu überprüfen.

### Montieren des Seitengriffs (Handgriffs)

**⚠️ VORSICHT:** Vergewissern Sie sich vor dem Betrieb stets, dass der Seitengriff einwandfrei montiert ist.

**⚠️ VORSICHT:** Entfernen Sie den Seitengriff (Handgriff), um Neigungsschnitte auszuführen. Falls Sie Neigungsschnitte bei montiertem Seitengriff (Handgriff) ausführen, besteht die Gefahr, dass er das Werkstück oder Ihren Körper berührt und Rückschlag oder Personenschäden verursacht.

**⚠️ VORSICHT:** Achten Sie beim Öffnen/Schließen der unteren Schutzhaube darauf, dass Sie nicht mit Ihren Fingern gegen den Seitengriff (Handgriff) stoßen.

Der Seitengriff (Handgriff) ist praktisch zum Halten und Tragen des Werkzeugs.

Um den Seitengriff (Handgriff) zu montieren, schrauben Sie den Seitengriff an der in der Abbildung gezeigten Position fest an das Werkzeug.

- **Abb.22:** 1. Seitengriff (Handgriff)

## Anschließen eines Sauggeräts

### Sonderzubehör

**⚠️ VORSICHT:** Achten Sie darauf, dass sich der Schlauch nicht am Werkstück verfangt. Dies kann aufgrund von Rückschlag zu schweren Personenschäden führen.

**HINWEIS:** Damit die Gummikappe nicht verloren geht, bewahren Sie sie an der Vorderseite des Werkzeugs auf.

**HINWEIS:** Wenn Sie das Sauggerät nicht benutzen, bringen Sie die Gummikappe am Absaugstutzen an.

Entfernen Sie die Gummikappe vom Absaugstutzen, und schließen Sie den Schlauch des Sauggerätes an, wie dargestellt.

- **Abb.23:** 1. Gummikappe

Schließen Sie ein Makita-Sauggerät an Ihr Werkzeug an.

- **Abb.24:** 1. Gummikappe 2. Sauggerät 3. Schlauch  
4. Absaugstutzen

## BETRIEB

Dieses Werkzeug ist nur zum Schneiden von Holzprodukten vorgesehen.

Besuchen Sie unsere Website, oder wenden Sie sich an Ihren Makita-Händler vor Ort, um zu erfahren, welche Kreissägeblätter für das zu schneidende Material korrekt sind.

## Überprüfen der Funktion der Sägeblattschutzhaube

Stellen Sie den Neigungswinkel auf 0° ein, ziehen Sie dann die untere Schutzhaube von Hand bis zum Anschlag ein, und lassen Sie sie los. Die untere Schutzhaube funktioniert ordnungsgemäß, wenn:

- sie sich ohne jegliche Behinderung über die Grundplatte einziehen lässt und;
- sie automatisch zurückkehrt und den Stopper berührt.

- **Abb.25:** 1. Obere Schutzhaube 2. Untere Schutzhaube 3. Grundplatte 4. Stopper  
5. Öffnen 6. Schließen

Falls die untere Schutzhaube nicht ordnungsgemäß funktioniert, prüfen Sie, ob sich Sägemehl in der oberen und unteren Schutzhaube angesammelt hat. Falls die untere Schutzhaube selbst nach dem Entfernen von Sägemehl nicht ordnungsgemäß funktioniert, lassen Sie Ihr Werkzeug bei einer Makita-Kundendienststelle warten.

**⚠️ VORSICHT:** Tragen Sie eine Staubmaske bei der Durchführung von Schneidarbeiten.

**⚠️ VORSICHT:** Schieben Sie das Werkzeug unbedingt in einer geraden Linie sachte vor. Zu starkes Drücken oder Verdrehen des Werkzeugs führt zu Überhitzen des Motors und gefährlichem Rückschlag, der möglicherweise schwere Verletzungen verursachen kann.

**HINWEIS:** Bei kaltem Akku entfaltet das Werkzeug eventuell nicht seine volle Kapazität. Benutzen Sie das Werkzeug während dieser Phase eine Zeitlang nur für leichte Schnitte, bis sich der Akku auf Raumtemperatur erwärmt hat. Dann kann das Werkzeug seine volle Kapazität entfalten.

► **Abb.26**

Halten Sie das Werkzeug mit festem Griff. Das Werkzeug ist mit einem vorderen und hinteren Griff ausgestattet. Benutzen Sie beide Griffe, um das Werkzeug optimal zu halten. Wenn beide Hände die Säge halten, können sie nicht durch das Kreissägeblatt verletzt werden. Setzen Sie die Grundplatte auf das zu schneidende Werkstück auf, ohne dass das Kreissägeblatt mit dem Werkstück in Berührung kommt. Schalten Sie dann das Werkzeug ein und warten Sie, bis das Kreissägeblatt die volle Drehzahl erreicht hat. Schieben Sie das Werkzeug nun flach und gleichmäßig über die Werkstückoberfläche vorwärts, bis der Schnitt vollendet ist. Um saubere Schnitte zu erzielen, halten Sie eine gerade Schnittlinie und eine gleichmäßige Vorschubgeschwindigkeit ein. Falls der Schnitt sich nicht genau mit Ihrer beabsichtigten Schnittlinie deckt, versuchen Sie nicht, das Werkzeug zu drehen oder zur Schnittlinie zurückzudrücken. Dies könnte zu Klemmen des Kreissägeblatts und gefährlichem Rückschlag führen, was schwere Verletzungen verursachen kann. Lassen Sie den Schalter los, und warten Sie, bis das Kreissägeblatt zum Stillstand kommt, bevor Sie das Werkzeug zurückziehen. Richten Sie das Werkzeug auf eine neue Schnittlinie aus, und beginnen Sie einen neuen Schnitt. Vermeiden Sie eine Positionierung, bei der Sie den von der Säge herausgeschleuderten Spänen und dem Holzstaub ausgesetzt sind. Tragen Sie einen Augenschutz, um Augenverletzungen zu verhüten.

## Aufhänger

**⚠ VORSICHT:** Nehmen Sie stets den Akku ab, wenn Sie das Werkzeug am Aufhänger aufhängen.

**⚠ VORSICHT:** Hängen Sie das Werkzeug niemals an hohen Stellen oder an Oberflächen auf, wo das Werkzeug die Balance verlieren und herunterfallen kann. Anderenfalls kann das Werkzeug herunterfallen und schwere Verletzungen verursachen.

**⚠ VORSICHT:** Ziehen Sie das Werkzeug nicht nach unten, wenn es aufgehängt ist.

**⚠ VORSICHT:** Verwenden Sie die Aufhängungs-/Montageeile nur für ihre vorgesehenen Zwecke. Die Verwendung für nicht vorgesehene Zwecke kann einen Unfall oder Personenschäden verursachen.

**⚠ VORSICHT:** Haken Sie das Werkzeug niemals ein, falls der Aufhänger beschädigt ist. Anderenfalls kann das Werkzeug herunterfallen und schwere Verletzungen verursachen.

Der Aufhänger ist praktisch, um das Werkzeug vorübergehend aufzuhängen. Um den Aufhänger zu benutzen, heben Sie ihn einfach an, bis er in die geöffnete Position einrastet.

Wenn er nicht benutzt wird, senken Sie den Aufhänger stets ab, bis er in die geschlossene Position einrastet.

► **Abb.27:** 1. Aufhänger 2. Geöffnete Position  
3. Geschlossene Position

► **Abb.28**

## Parallelanschlag (Richtlineal)

### Sonderzubehör

Der praktische Parallelanschlag ermöglicht die Ausführung besonders genauer Geradschnitte. Schieben Sie einfach den Parallelanschlag gegen die Seite des Werkstücks, und sichern Sie ihn mit der Schraube an der Vorderseite der Grundplatte. Außerdem ermöglicht er wiederholte Schnitte von gleichförmiger Breite.

► **Abb.29:** 1. Parallelanschlag (Richtlineal)  
2. Klemmschraube

## FUNK- AKTIVIERUNGSFUNKTION

### Mit der Funk-Aktivierungsfunktion verfügbare Möglichkeiten

Die Funk-Aktivierungsfunktion ermöglicht sauberen und komfortablen Betrieb. Wenn Sie ein unterstütztes Sauggerät an das Werkzeug anschließen, können Sie das Sauggerät automatisch mit der Schalterbetätigung des Werkzeugs betreiben.

► **Abb.30**

Um die Funk-Aktivierungsfunktion zu benutzen, benötigen Sie die folgenden Gegenstände:

- Einen Funk-Adapter (Sonderzubehör)
- Ein Sauggerät, das die Funk-Aktivierungsfunktion unterstützt

Die Übersicht über die Einstellung der Funk-Aktivierungsfunktion ist wie folgt. Ausführliche Verfahren entnehmen Sie bitte dem jeweiligen Abschnitt.

1. Installieren des Funk-Adapters
2. Werkzeugregistrierung für das Sauggerät
3. Starten der Funk-Aktivierungsfunktion

## Installieren des Funk-Adapters

### Sonderzubehör

**⚠ VORSICHT:** Legen Sie das Werkzeug zum Installieren des Funk-Adapters auf eine ebene und stabile Oberfläche.

**ANMERKUNG:** Entfernen Sie Staub und Schmutz vom Werkzeug, bevor Sie den Funk-Adapter installieren. Staub oder Schmutz können eine Funktionsstörung verursachen, falls sie in den Steckplatz des Funk-Adapters gelangen.

**ANMERKUNG:** Um eine durch statische Entladung verursachte Funktionsstörung zu verhindern, berühren Sie ein Statikentladungsmaterial, wie z. B. ein Metallteil des Werkzeugs, bevor Sie den Funk-Adapter anfassen.

**ANMERKUNG:** Achten Sie beim Installieren des Funk-Adapters immer darauf, dass der Funk-Adapter in der korrekten Richtung eingeführt wird und der Deckel vollständig geschlossen ist.

1. Öffnen Sie den Deckel am Werkzeug, wie in der Abbildung gezeigt.

► **Abb.31:** 1. Deckel

2. Führen Sie den Funk-Adapter in den Steckplatz ein, und schließen Sie dann den Deckel.

Wenn Sie den Funk-Adapter einführen, richten Sie die Vorsprünge auf die Vertiefungen des Steckplatzes aus.

► **Abb.32:** 1. Funk-Adapter 2. Vorsprung 3. Deckel 4. Vertiefung

Zum Entfernen des Funk-Adapters öffnen Sie den Deckel langsam. Die Haken an der Rückseite des Deckels heben den Funk-Adapter an, wenn Sie den Deckel hochziehen.

► **Abb.33:** 1. Funk-Adapter 2. Haken 3. Deckel

Bewahren Sie den Funk-Adapter nach der Entnahme in der mitgelieferten Schachtel oder einem statikfreien Behälter auf.

**ANMERKUNG:** Verwenden Sie immer die Haken an der Rückseite des Deckels zum Entfernen des Funk-Adapters. Falls die Haken den Funk-Adapter nicht greifen, schließen Sie den Deckel vollständig, und öffnen Sie ihn dann wieder langsam.

## Werkzeugregistrierung für das Sauggerät

**HINWEIS:** Ein Makita-Sauggerät, das die Funk-Aktivierungsfunktion unterstützt, ist für die Werkzeugregistrierung erforderlich.

**HINWEIS:** Die Installation des Funk-Adapters im Werkzeug muss vollendet sein, bevor mit der Werkzeugregistrierung begonnen wird.

**HINWEIS:** Unterlassen Sie während der Werkzeugregistrierung die Betätigung des Auslöseschalters oder das Einschalten des Ein-Aus-Schalters am Sauggerät.

**HINWEIS:** Nehmen Sie auch auf die Betriebsanleitung des Sauggerätes Bezug.

Wenn Sie das Sauggerät zusammen mit der Schalterbetätigung des Werkzeugs aktivieren möchten, müssen Sie zuvor die Werkzeugregistrierung beenden.

1. Setzen Sie die Akkus in das Sauggerät und das Werkzeug ein.

2. Stellen Sie den Bereitschaftsschalter am Sauggerät auf „AUTO“.

► **Abb.34:** 1. Bereitschaftsschalter

3. Drücken Sie die Funk-Aktivierungstaste am Sauggerät für 3 Sekunden, bis die Funk-Aktivierungslampe in Grün blinkt. Drücken Sie dann die Funk-Aktivierungstaste am Werkzeug in der gleichen Weise.

► **Abb.35:** 1. Funk-Aktivierungstaste 2. Funk-Aktivierungslampe

Wenn Sauggerät und Werkzeug erfolgreich verbunden werden, leuchten die Funk-Aktivierungslampen 2 Sekunden lang in Grün auf und beginnen dann in Blau zu blinken.

**HINWEIS:** Nach Ablauf von 20 Sekunden hören die Funk-Aktivierungslampen auf, in Grün zu blinken. Drücken Sie die Funk-Aktivierungstaste am Werkzeug, während die Funk-Aktivierungslampe am Staubsauger blinkt. Falls die Funk-Aktivierungslampe nicht in Grün blinkt, drücken Sie die Funk-Aktivierungstaste kurz, und halten Sie sie erneut gedrückt.

**HINWEIS:** Wenn Sie zwei oder mehr Werkzeugregistrierungen für ein Sauggerät durchführen, beenden Sie die Werkzeugregistrierungen nacheinander.

## Starten der Funk-Aktivierungsfunktion

**HINWEIS:** Beenden Sie die Werkzeugregistrierung für das Sauggerät vor der Funk-Aktivierung.

**HINWEIS:** Nehmen Sie auch auf die Betriebsanleitung des Sauggerätes Bezug.

Nachdem Sie ein Werkzeug im Sauggerät registriert haben, läuft das Sauggerät automatisch mit der Schalterbetätigung am Werkzeug an.

1. Installieren Sie den Funk-Adapter im Werkzeug.  
2. Schließen Sie den Schlauch des Sauggerätes am Werkzeug an.

► **Abb.36**

3. Stellen Sie den Bereitschaftsschalter am Sauggerät auf „AUTO“.

► **Abb.37:** 1. Bereitschaftsschalter

4. Drücken Sie die Funk-Aktivierungstaste am Werkzeug kurz. Die Funk-Aktivierungslampe blinkt in Blau.

► **Abb.38:** 1. Funk-Aktivierungstaste 2. Funk-Aktivierungslampe

5. Betätigen Sie den Auslöseschalter des Werkzeugs. Prüfen Sie, ob das Sauggerät läuft, während der Auslöseschalter betätigt wird.

Um die Funk-Aktivierung des Sauggerätes zu stoppen, drücken Sie die Funk-Aktivierungstaste am Werkzeug.

**HINWEIS:** Die Funk-Aktivierungslampe am Werkzeug hört auf, in Blau zu blinken, wenn 2 Stunden lang kein Betrieb erfolgt. Stellen Sie in diesem Fall den Bereitschaftsschalter am Sauggerät auf „AUTO“, und drücken Sie die Funk-Aktivierungstaste am Werkzeug erneut.

**HINWEIS:** Das Sauggerät startet/stoppt mit einer Verzögerung. Es tritt eine Zeitverzögerung auf, wenn das Sauggerät eine Schalterbetätigung des Werkzeugs erkennt.

**HINWEIS:** Die Übertragungreichweite des Funk-Adapters kann abhängig vom Ort und den Umgebungsbedingungen schwanken.










**HINWEIS:** Wenn zwei oder mehr Werkzeuge in einem Sauggerät registriert sind, kann das Sauggerät anlaufen, selbst wenn Sie den Auslöseschalter nicht betätigen, weil ein anderer Benutzer die Funk-Aktivierungsfunktion benutzt.



## Beschreibung des Zustands der Funk-Aktivierungslampe

### ► Abb.39: 1. Funk-Aktivierungslampe

Die Funk-Aktivierungslampe zeigt den Zustand der Funk-Aktivierungsfunktion an. Die Bedeutung des Lampenzustands ist aus der nachstehenden Tabelle ersichtlich.

Zustand	Funk-Aktivierungslampe				Beschreibung
	Farbe	 Ein	 Blinkend	Dauer	
Bereitschaft	Blau			2 Stunden	Die Funk-Aktivierung des Sauggerätes ist verfügbar. Die Lampe erlischt automatisch, wenn 2 Stunden lang kein Betrieb erfolgt.
				Wenn das Werkzeug läuft.	Die Funk-Aktivierung des Sauggerätes ist verfügbar, und das Werkzeug läuft.
Werkzeugregistrierung	Grün			20 Sekunden	Bereit für die Werkzeugregistrierung. Warten auf die Registrierung durch das Sauggerät.
				2 Sekunden	Die Werkzeugregistrierung ist beendet worden. Die Funk-Aktivierungslampe beginnt, in Blau zu blinken.
Aufheben der Werkzeugregistrierung	Rot			20 Sekunden	Bereit für die Aufhebung der Werkzeugregistrierung. Warten auf die Aufhebung durch das Sauggerät.
				2 Sekunden	Die Aufhebung der Werkzeugregistrierung ist beendet worden. Die Funk-Aktivierungslampe beginnt, in Blau zu blinken.
Sonstiges	Rot			3 Sekunden	Der Funk-Adapter wird mit Strom versorgt, und die Funk-Aktivierungsfunktion wird gestartet.
	Aus	-		-	Die Funk-Aktivierung des Sauggerätes ist gestoppt.

## Aufheben der Werkzeugregistrierung für das Sauggerät

Führen Sie das folgende Verfahren durch, um die Werkzeugregistrierung für das Sauggerät aufzuheben.

1. Setzen Sie die Akkus in das Sauggerät und das Werkzeug ein.
2. Stellen Sie den Bereitschaftsschalter am Sauggerät auf „AUTO“.
3. Drücken Sie die Funk-Aktivierungstaste am Sauggerät für 6 Sekunden. Die Funk-Aktivierungslampe blinkt in Grün und wird dann rot. Drücken Sie danach die Funk-Aktivierungstaste am Werkzeug in der gleichen Weise.

- **Abb.41:** 1. Funk-Aktivierungstaste  
2. Funk-Aktivierungslampe

Wenn die Aufhebung erfolgreich war, leuchten die Funk-Aktivierungslampen 2 Sekunden lang in Rot auf und beginnen dann in Blau zu blinken.

**HINWEIS:** Nach Ablauf von 20 Sekunden hören die Funk-Aktivierungslampen auf, in Rot zu blinken. Drücken Sie die Funk-Aktivierungstaste am Werkzeug, während die Funk-Aktivierungslampe am Staubsauger blinkt. Falls die Funk-Aktivierungslampe nicht in Rot blinkt, drücken Sie die Funk-Aktivierungstaste kurz, und halten Sie sie erneut gedrückt.

## Fehlersuche für Funk-Aktivierungsfunktion

Bevor Sie den Reparaturdienst anrufen, führen Sie zunächst Ihre eigene Inspektion durch. Falls Sie ein Problem finden, das nicht in der Anleitung erläutert wird, versuchen Sie nicht, das Werkzeug zu zerlegen. Wenden Sie sich stattdessen an autorisierte Makita-Kundendienstzentren, und achten Sie darauf, dass stets Makita-Ersatzteile für Reparaturen verwendet werden.

Zustand der Unregelmäßigkeit	Wahrscheinliche Ursache (Funktionsstörung)	Abhilfemaßnahme
Die Funk-Aktivierungslampe leuchtet/blinkt nicht.	Es ist kein Funk-Adapter im Werkzeug installiert. Der Funk-Adapter ist falsch im Werkzeug installiert.	Installieren Sie den Funk-Adapter korrekt.
	Die Kontakte des Funk-Adapters und/oder des Steckplatzes sind verschmutzt.	Wischen Sie Staub und Schmutz an den Kontakten des Funk-Adapters saftig ab, und reinigen Sie den Steckplatz.
	Die Funk-Aktivierungstaste am Werkzeug ist nicht gedrückt worden.	Drücken Sie die Funk-Aktivierungstaste am Werkzeug kurz.
	Der Bereitschaftsschalter am Sauggerät ist nicht auf „AUTO“ eingestellt.	Stellen Sie den Bereitschaftsschalter am Sauggerät auf „AUTO“.
	Keine Stromversorgung	Versorgen Sie Werkzeug und Sauggerät mit Strom.
Die Werkzeugregistrierung/Aufhebung der Werkzeugregistrierung kann nicht erfolgreich beendet werden.	Es ist kein Funk-Adapter im Werkzeug installiert. Der Funk-Adapter ist falsch im Werkzeug installiert.	Installieren Sie den Funk-Adapter korrekt.
	Die Kontakte des Funk-Adapters und/oder des Steckplatzes sind verschmutzt.	Wischen Sie Staub und Schmutz an den Kontakten des Funk-Adapters saftig ab, und reinigen Sie den Steckplatz.
	Der Bereitschaftsschalter am Sauggerät ist nicht auf „AUTO“ eingestellt.	Stellen Sie den Bereitschaftsschalter am Sauggerät auf „AUTO“.
	Keine Stromversorgung	Versorgen Sie Werkzeug und Sauggerät mit Strom.
	Falsche Bedienung	Drücken Sie die Funk-Aktivierungstaste kurz, und führen Sie das Verfahren der Werkzeugregistrierung/Aufhebung der Werkzeugregistrierung erneut durch.
	Der Abstand zwischen Werkzeug und Sauggerät ist zu groß (außerhalb der Übertragungsbereichweite).	Verkleinern Sie den Abstand zwischen Werkzeug und Sauggerät. Die maximale Übertragungsbereichweite beträgt ungefähr 10 m, sie kann aber je nach den Umständen schwanken.
	Vor Beendigung der Werkzeugregistrierung/Aufhebung der Werkzeugregistrierung: - der Auslöseschalter am Werkzeug wird betätigt, oder - die Ein-Aus-Taste am Sauggerät wird eingeschaltet.	Drücken Sie die Funk-Aktivierungstaste kurz, und führen Sie das Verfahren der Werkzeugregistrierung/Aufhebung der Werkzeugregistrierung erneut durch.
	Die Verfahren der Werkzeugregistrierung für das Werkzeug oder das Sauggerät sind nicht beendet.	Führen Sie die Verfahren der Werkzeugregistrierung sowohl für das Werkzeug als auch das Sauggerät zum selben Zeitpunkt durch.
	Funkstörungen durch andere Geräte, die starke Funkwellen erzeugen.	Halten Sie das Werkzeug und das Sauggerät von solchen Geräten wie WLAN-Geräten und Mikrowellenöfen fern.
Das Sauggerät läuft bei der Schalterbetätigung des Werkzeugs nicht an.	Es ist kein Funk-Adapter im Werkzeug installiert. Der Funk-Adapter ist falsch im Werkzeug installiert.	Installieren Sie den Funk-Adapter korrekt.
	Die Kontakte des Funk-Adapters und/oder des Steckplatzes sind verschmutzt.	Wischen Sie Staub und Schmutz an den Kontakten des Funk-Adapters saftig ab, und reinigen Sie den Steckplatz.
	Die Funk-Aktivierungstaste am Werkzeug ist nicht gedrückt worden.	Drücken Sie die Funk-Aktivierungstaste kurz, und vergewissern Sie sich, dass die Funk-Aktivierungslampe in Blau blinkt.
	Der Bereitschaftsschalter am Sauggerät ist nicht auf „AUTO“ eingestellt.	Stellen Sie den Bereitschaftsschalter am Sauggerät auf „AUTO“.
	Es sind mehr als 10 Werkzeuge im Sauggerät registriert.	Führen Sie die Werkzeugregistrierung erneut durch. Wenn mehr als 10 Werkzeuge im Sauggerät registriert werden, wird die Registrierung des ersten Werkzeugs automatisch gelöscht.
	Das Sauggerät hat alle Werkzeugregistrierungen gelöscht.	Führen Sie die Werkzeugregistrierung erneut durch.
	Keine Stromversorgung	Versorgen Sie Werkzeug und Sauggerät mit Strom.
	Der Abstand zwischen Werkzeug und Sauggerät ist zu groß (außerhalb der Übertragungsbereichweite).	Verkleinern Sie den Abstand zwischen Werkzeug und Sauggerät. Die maximale Übertragungsbereichweite beträgt ungefähr 10 m, sie kann aber je nach den Umständen schwanken.
	Funkstörungen durch andere Geräte, die starke Funkwellen erzeugen.	Halten Sie das Werkzeug und das Sauggerät von solchen Geräten wie WLAN-Geräten und Mikrowellenöfen fern.

Zustand der Unregelmäßigkeit	Wahrscheinliche Ursache (Funktionsstörung)	Abhilfemaßnahme
Das Saugergerät läuft an, obwohl der Auslöseschalter des Werkzeugs nicht betätigt wurde.	Anderer Benutzer nutzen die Funk-Aktivierung des Saugergerätes mit ihren Werkzeugen.	Schalten Sie die Funk-Aktivierungstaste der anderen Werkzeuge aus, oder heben Sie die Werkzeugregistrierung der anderen Werkzeuge auf.

## WARTUNG

**⚠ VORSICHT:** Vergewissern Sie sich vor der Durchführung von Inspektions- oder Wartungsarbeiten stets, dass das Werkzeug ausgeschaltet und der Akku abgenommen ist.

**⚠ VORSICHT:** Säubern Sie die obere und untere Schutzhaube, um sicherzugehen, dass kein angesammeltes Sägemehl vorhanden ist, das die Funktion des unteren Schutzsystems beeinträchtigen kann. Ein verschmutztes Schutzsystem kann die ordnungsgemäße Funktion einschränken, was zu schweren Personenschäden führen kann. Am effektivsten kann diese Reinigung mit Druckluft durchgeführt werden. **Verwenden Sie unbedingt einen geeigneten Augenschutz und eine Atemmaske, um sich vor dem aus den Schutzhauben herausgeblasenen Staub zu schützen.**

**⚠ VORSICHT:** Wischen Sie das Sägemehl nach jedem Gebrauch vom Werkzeug ab. Anderenfalls kann feines Sägemehl in das Werkzeug gelangen und eine Funktionsstörung oder einen Brand verursachen.

**ANMERKUNG:** Verwenden Sie auf keinen Fall Benzin, Waschbenzin, Verdüner, Alkohol oder dergleichen. Solche Mittel können Verfärbung, Verformung oder Rissbildung verursachen.

Um die SICHERHEIT und ZUVERLÄSSIGKEIT dieses Produkts zu gewährleisten, sollten Reparaturen und andere Wartungs- oder Einstellarbeiten nur von Makita-Vertragswerkstätten oder Makita-Kundendienstzentren unter ausschließlicher Verwendung von Makita-Originalersatzteilen ausgeführt werden.

## Einstellen der 0°-Schnittgenauigkeit

Diese Einstellung ist werksseitig durchgeführt worden. Falls sie jedoch verstellt ist, können Sie sie nach dem folgenden Verfahren korrigieren.

1. Lösen Sie den Hebel an der Neigungswinkelskalenplatte geringfügig.
2. Richten Sie die Grundplatte mithilfe eines Einstelldreiecks oder Richtlineals durch Drehen der Einstellschraube senkrecht zum Sägeblatt aus.  
► **Abb.42:** 1. Einstelldreieck 2. Einstellschraube
3. Ziehen Sie den Hebel fest, und machen Sie dann einen Probeschnitt, um die Senkrechte zu überprüfen.

## SONDERZUBEHÖR

**⚠ VORSICHT:** Die folgenden Zubehörteile oder Vorrichtungen werden für den Einsatz mit dem in dieser Anleitung beschriebenen Makita-Werkzeug empfohlen. Die Verwendung anderer Zubehörteile oder Vorrichtungen kann eine Verletzungsgefahr darstellen. Verwenden Sie Zubehörteile oder Vorrichtungen nur für ihren vorgesehenen Zweck.

Wenn Sie weitere Einzelheiten bezüglich dieser Zubehörteile benötigen, wenden Sie sich bitte an Ihre Makita-Kundendienststelle.

- Kreissägeblatt
- Gekröpfter Schraubenschlüssel
- Parallelanschlag (Richtlineal)
- Original-Makita-Akku und -Ladegerät

**HINWEIS:** Manche Teile in der Liste können als Standardzubehör im Werkzeugsatz enthalten sein. Sie können von Land zu Land unterschiedlich sein.



**Makita Europe N.V.** Jan-Baptist Vinkstraat 2,  
3070 Kortenberg, Belgium

**Makita Corporation** 3-11-8, Sumiyoshi-cho,  
Anjo, Aichi 446-8502 Japan

[www.makita.com](http://www.makita.com)

885852-971 EN, PL, HU, SK, CS, UK, RO, DE 20201103
---